



US00D913899S

(12) **United States Design Patent**  
**Song et al.**

(10) **Patent No.:** **US D913,899 S**  
(45) **Date of Patent:** **\*\* Mar. 23, 2021**

(54) **BOAT**  
(71) Applicants: **Jin Ho Song**, Andong-si (KR); **Sung A Park**, Andong-si (KR)  
(72) Inventors: **Jin Ho Song**, Andong-si (KR); **Sung A Park**, Andong-si (KR)

D390,528 S \* 2/1998 Roberson ..... D12/304  
D486,118 S \* 2/2004 Rypinski ..... D12/300  
D513,224 S \* 12/2005 Powers ..... B63B 17/00  
D12/300  
D556,668 S \* 12/2007 Quinn ..... D12/300

(\*\*) Term: **15 Years**

\* cited by examiner

*Primary Examiner* — George D. Kirschbaum  
*Assistant Examiner* — Joseph J Kukella

(21) Appl. No.: **35/508,361**

(22) Filed: **Jul. 12, 2019**

(57) **CLAIM**

The ornamental design for a boat, as shown and described.

(80) **Hague Agreement Data**

Int. Filing Date: **Jul. 12, 2019**  
Int. Reg. No.: **DM/204031**  
Int. Reg. Date: **Jul. 12, 2019**  
Int. Reg. Pub. Date: **Jan. 17, 2020**

**DESCRIPTION**

(51) **LOC (13) Cl.** ..... **12-06**

(52) **U.S. Cl.**  
USPC ..... **D12/301**

(58) **Field of Classification Search**  
USPC ..... D12/300–304; D21/415, 428, 438, 439,  
D21/440, 490, 507, 560, 576  
CPC ..... B63B 35/34; B63B 35/38; B63B 35/58;  
B63B 35/607; B63B 35/613; B63B 35/62  
See application file for complete search history.

- 1. Boat
- 1.1 : Perspective
- 1.2 : Front
- 1.3 : Back
- 1.4 : Top
- 1.5 : Bottom
- 1.6 : Left
- 1.7 : Right

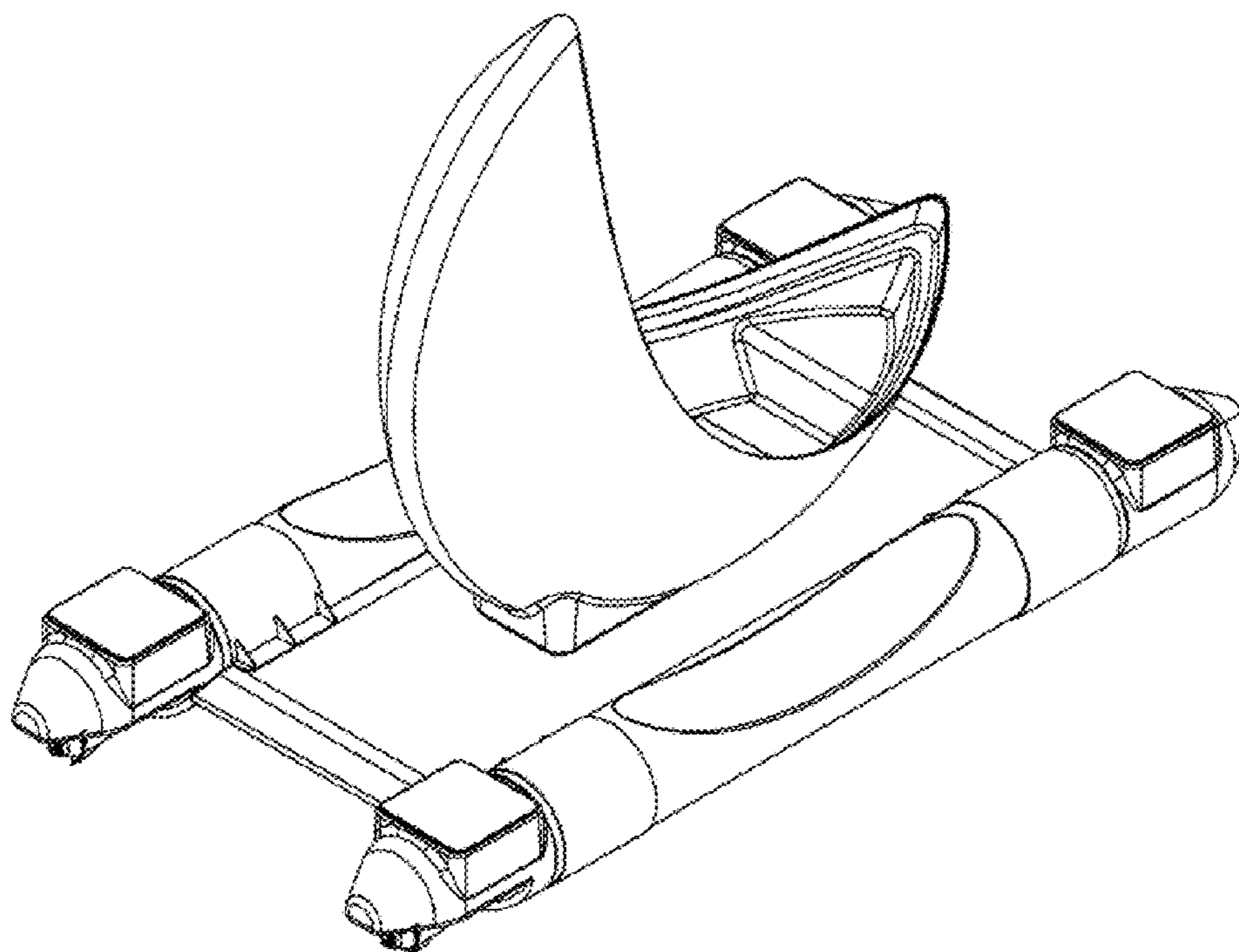
The present design is characterized in that seats are located in a crescent-moon-shaped structure; and a motor assembly supplying power to a boat is provided in a bottom part of a boat which is configured to be parallel to surface of the water, such that it looks like a crescent moon is floating or slipping on the surface of the water when a boat is on the water.

(56) **References Cited**

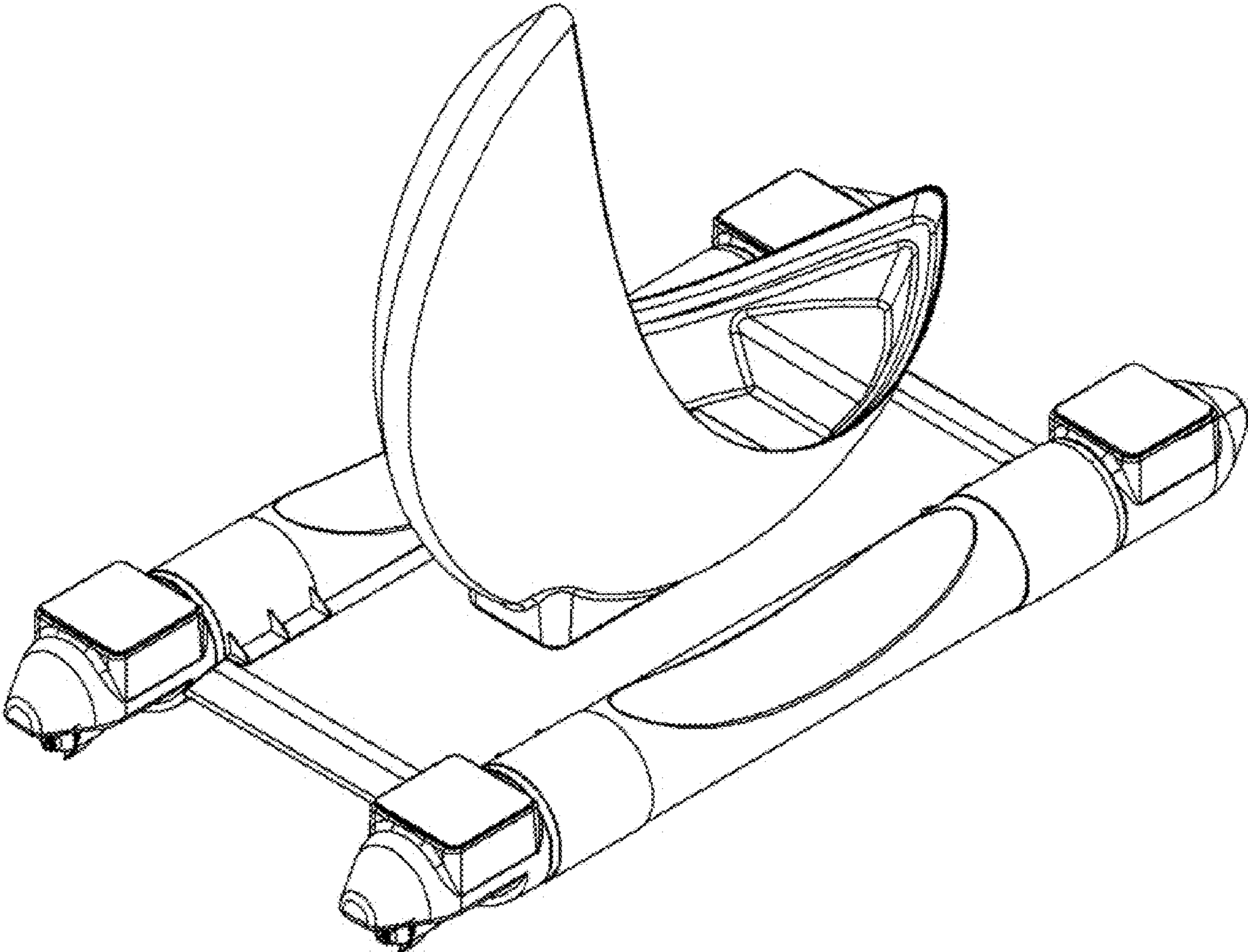
U.S. PATENT DOCUMENTS

4,854,257 A \* 8/1989 Grayson ..... B63B 17/00  
114/61.23  
D355,633 S \* 2/1995 Whitney ..... D12/304

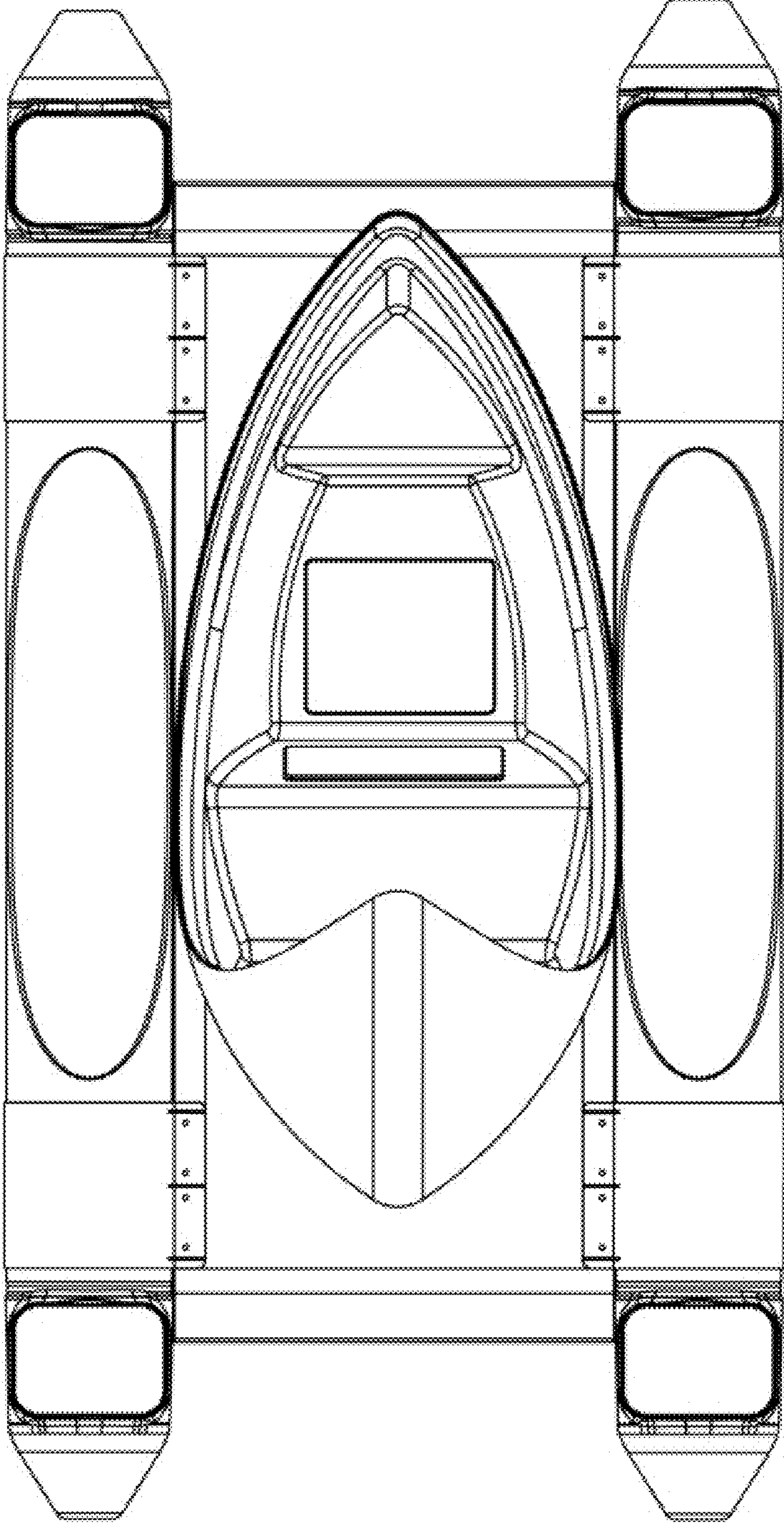
**1 Claim, 7 Drawing Sheets**



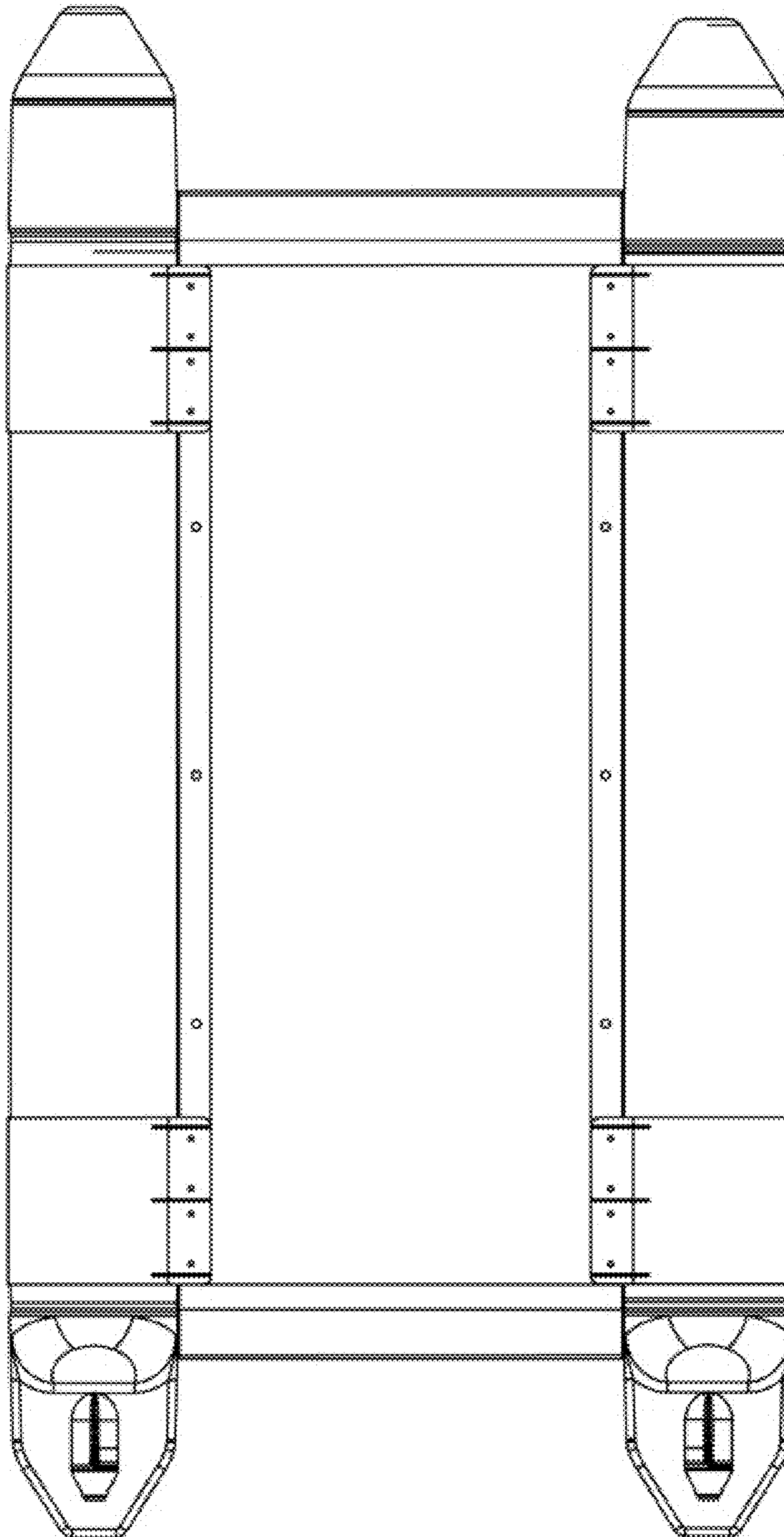
1.1



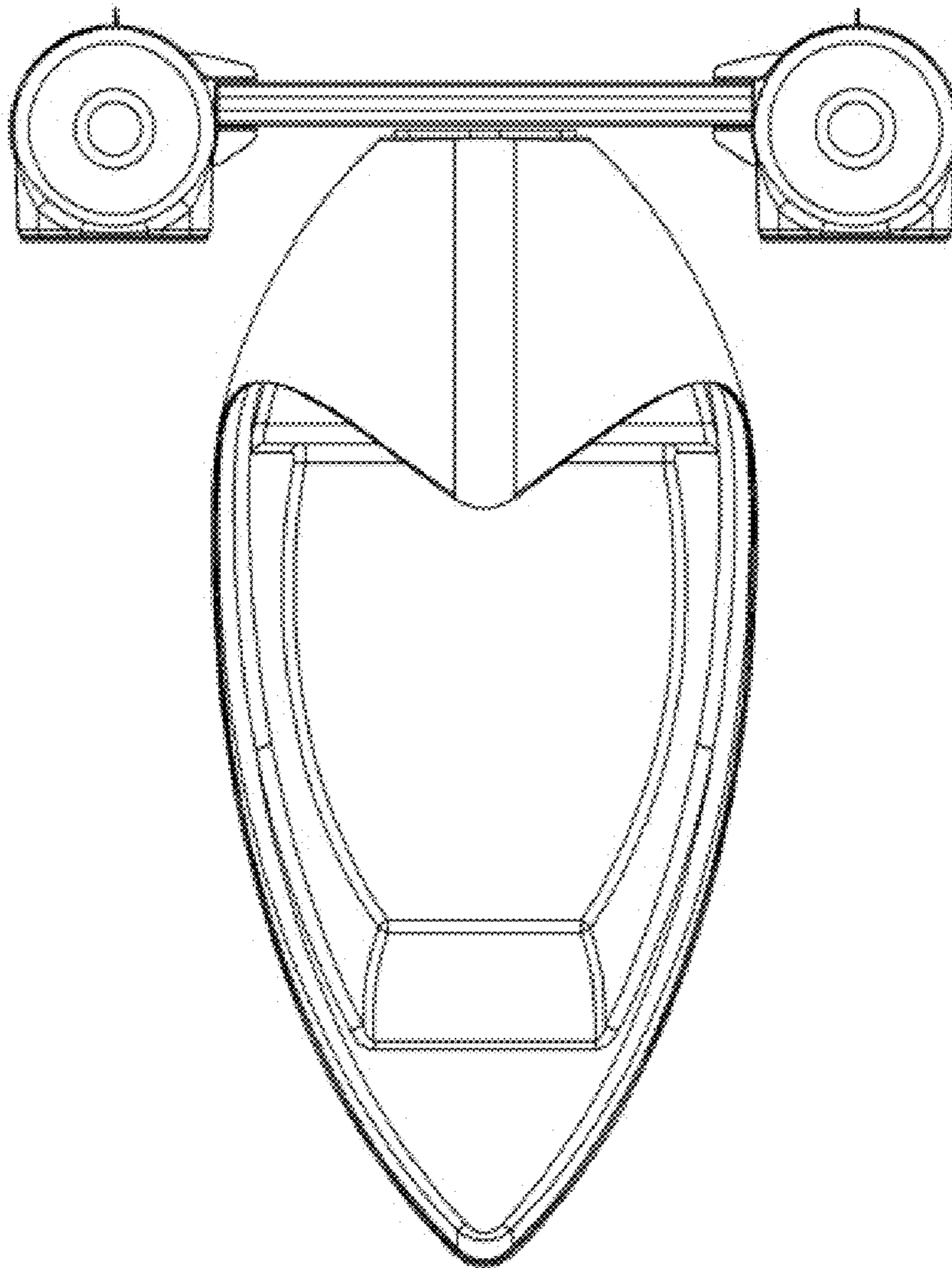
# 1.2



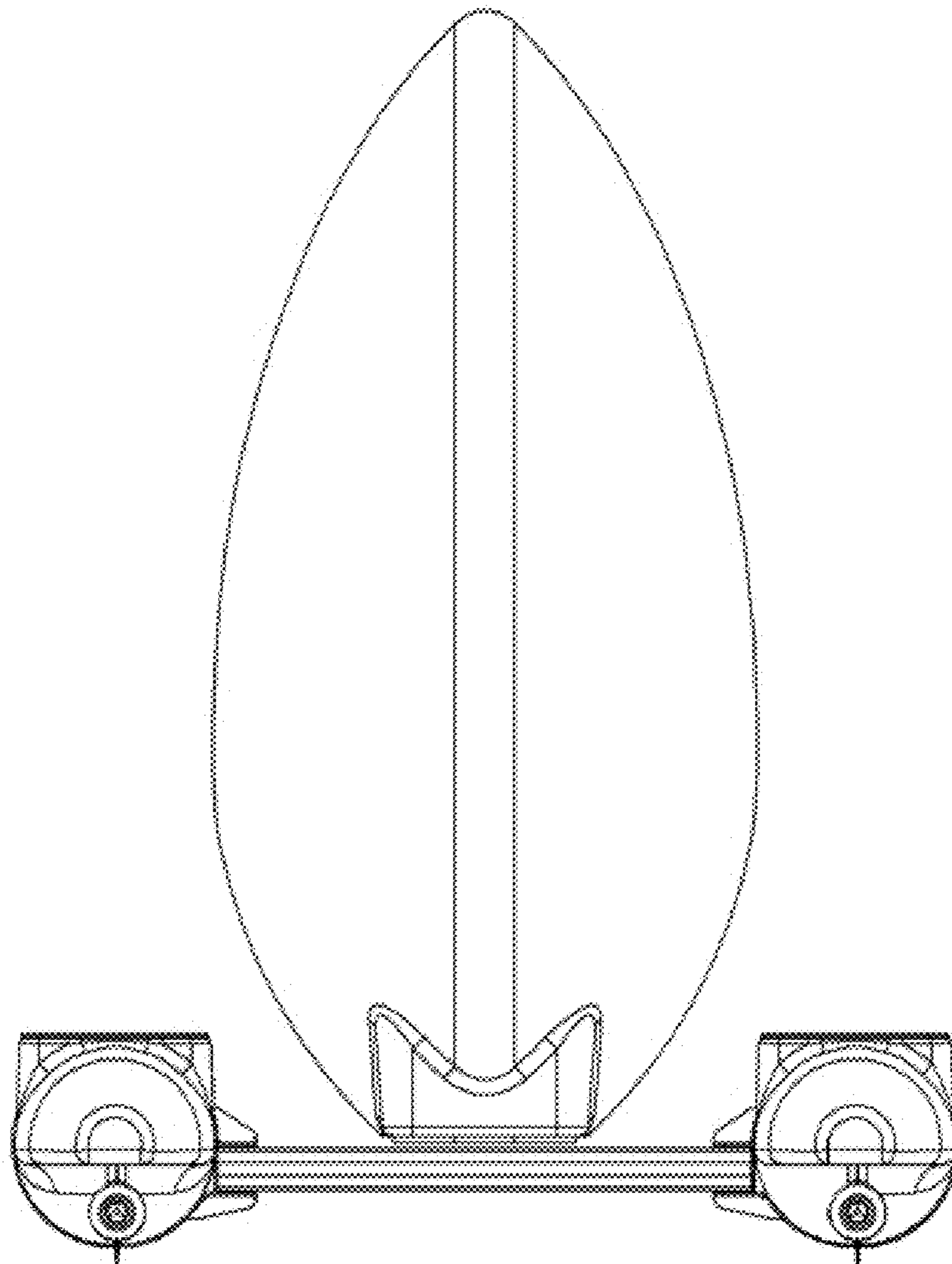
# 1.3



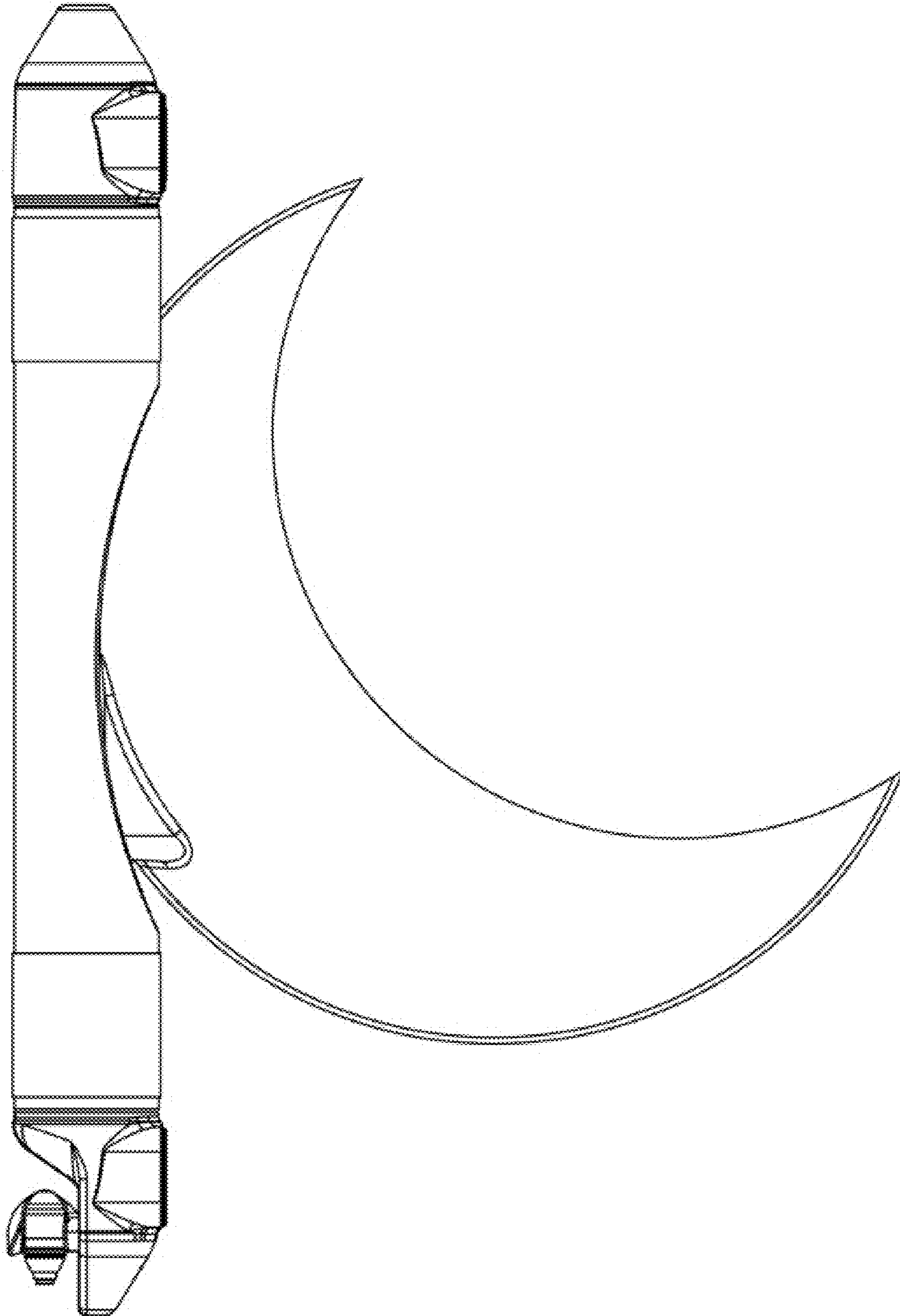
1.4



1.5



# 1.6



1.7

