



US00D913897S

(12) **United States Design Patent**
VanRyn

(10) **Patent No.:** **US D913,897 S**

(45) **Date of Patent:** **** Mar. 23, 2021**

(54) **WHEEL**

(71) Applicant: **Wheel Pros, LLC**, Greenwood Village, CO (US)

(72) Inventor: **Tom VanRyn**, Buena Park, CA (US)

(**) Term: **15 Years**

(21) Appl. No.: **29/731,512**

(22) Filed: **Apr. 15, 2020**

(51) **LOC (13) Cl.** **12-16**

(52) **U.S. Cl.**
USPC **D12/209**

(58) **Field of Classification Search**
USPC D12/204–213; D21/563
CPC B60B 7/00; B60B 7/02; B60B 7/04; B60B 7/01; B60B 7/06; B60B 3/02; B60B 3/04; B60B 3/06; B60B 3/10; B60B 1/00; B60B 1/08; B60B 1/10; B60B 1/12
See application file for complete search history.

(56) **References Cited**

U.S. PATENT DOCUMENTS

- D384,629 S * 10/1997 Nagashima D12/209
- D387,724 S * 12/1997 Chung D12/209
- D725,017 S * 3/2015 Harriton D12/209

- D758,944 S * 6/2016 Rolfs D12/209
- D783,495 S * 4/2017 Hale, Jr. D12/209
- D795,150 S * 8/2017 Tran D12/209
- D838,646 S * 1/2019 Harriton D12/209
- D854,480 S * 7/2019 Li D12/209
- D883,892 S * 5/2020 Johnson D12/209
- D887,944 S * 6/2020 Han D12/209
- D894,084 S * 8/2020 Liu D12/209
- D897,257 S * 9/2020 Tran D12/209
- D902,820 S * 11/2020 Han D12/209
- D904,271 S * 12/2020 Henderson D12/209
- D904,962 S * 12/2020 Lee D12/209
- D906,924 S * 1/2021 Liu D12/209

* cited by examiner

Primary Examiner — Stacia A Cadmus

(74) *Attorney, Agent, or Firm* — Eric Hanscom

(57) **CLAIM**

the ornamental design for a wheel, as shown and described.

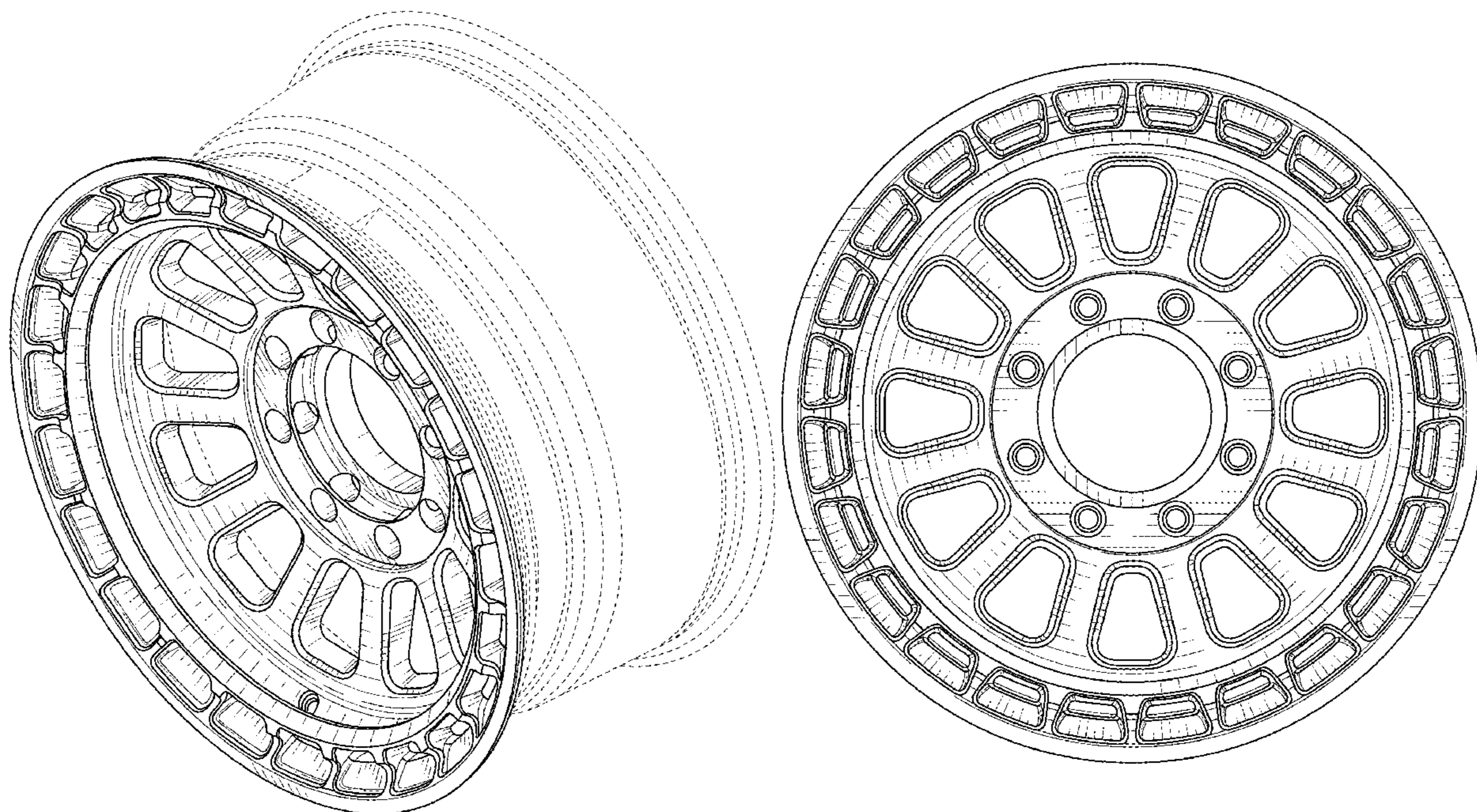
DESCRIPTION

FIG. 1 is a perspective view of a wheel showing my new design; and,

FIG. 2 is a front view thereof.

In the drawings, broken lines shown in the drawings depict environmental subject matter only and form no part of the claimed design.

1 Claim, 2 Drawing Sheets



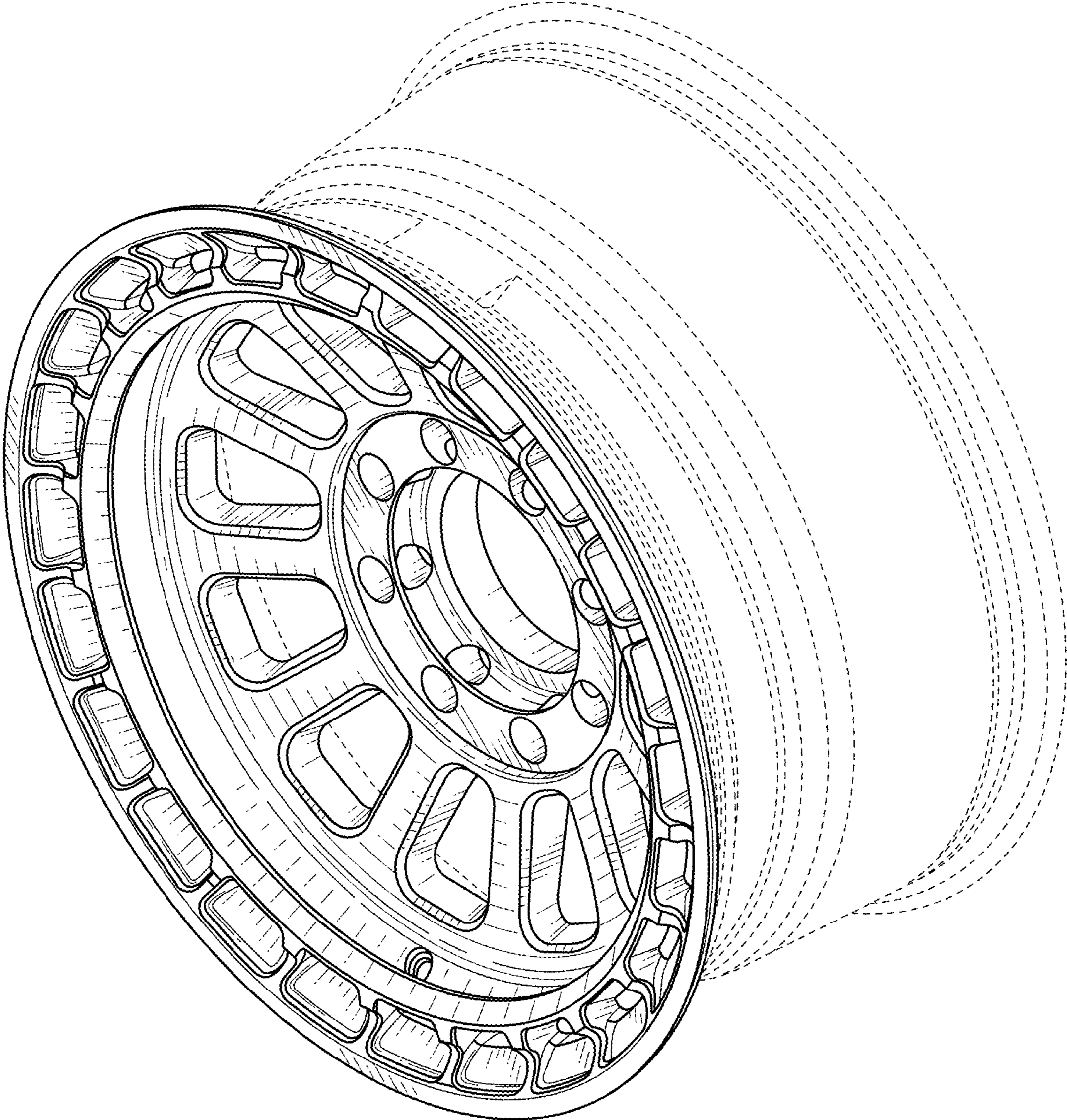


FIG. 1

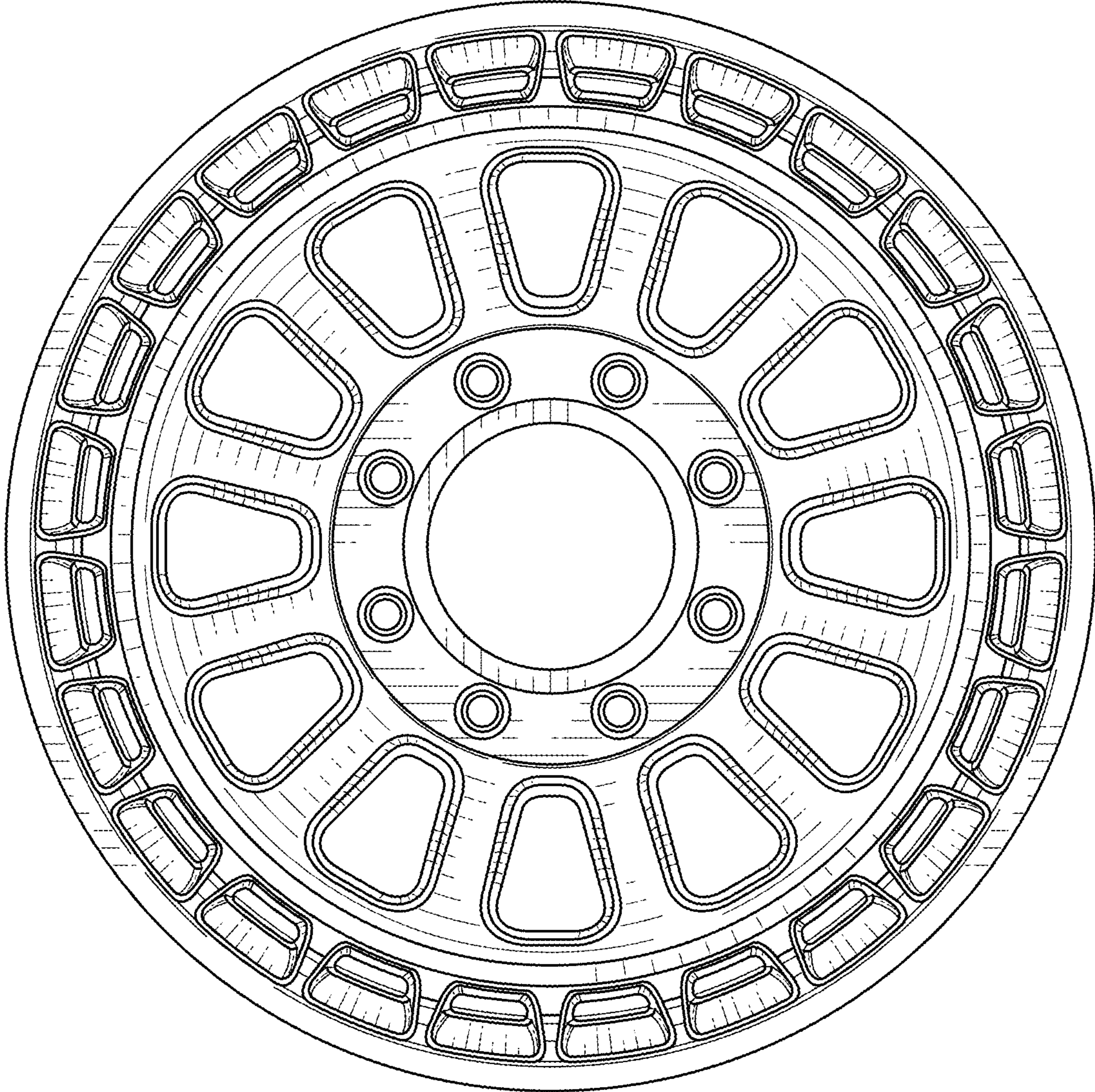


FIG. 2