



US00D913892S

(12) **United States Design Patent**
Ma

(10) **Patent No.:** **US D913,892 S**
(45) **Date of Patent:** **** Mar. 23, 2021**

(54) **VEHICLE WHEEL**

(71) Applicant: **CITIC Dicastal Co., Ltd.**,
Qinhuangdao (CN)

(72) Inventor: **Liang Ma**, Qinhuangdao (CN)

(73) Assignee: **CITIC Dicastal Co., Ltd.**,
Qinhuangdao (CN)

(**) Term: **15 Years**

(21) Appl. No.: **29/708,429**

(22) Filed: **Oct. 6, 2019**

(30) **Foreign Application Priority Data**

Jun. 17, 2019 (CN) 201930312184.9

(51) **LOC (13) Cl.** **12-16**

(52) **U.S. Cl.**
USPC **D12/209**

(58) **Field of Classification Search**

USPC D12/204-213; D21/563
CPC B60B 7/00; B60B 7/02; B60B 7/04; B60B
7/01; B60B 7/06; B60B 3/02; B60B 3/04;
B60B 3/06; B60B 3/10; B60B 1/00;
B60B 1/08; B60B 1/10; B60B 1/12

See application file for complete search history.

(56) **References Cited**

U.S. PATENT DOCUMENTS

D590,322 S * 4/2009 Rak D12/211
D686,132 S * 7/2013 Truebsbach D12/209

D695,186 S * 12/2013 Pollmann D12/209
D702,614 S * 4/2014 Lemke D12/211
D791,668 S * 7/2017 Murase D12/209
D795,155 S * 8/2017 Valencia Pollex D12/211
D798,217 S * 9/2017 Valencia Pollex D12/211
D826,126 S * 8/2018 Valencia Pollex D12/209
D840,317 S * 2/2019 Austin D12/209
D840,321 S * 2/2019 Kikuchi D12/211
D858,404 S * 9/2019 Oh D12/209
D877,023 S * 3/2020 Valencia Pollex D12/209
D877,025 S * 3/2020 Rosello Visa D12/209
D880,393 S * 4/2020 Meng D12/209
D889,354 S * 7/2020 Yang D12/209

* cited by examiner

Primary Examiner — Stacia A Cadmus

(74) *Attorney, Agent, or Firm* — IPro, PLLC; Qian Gu

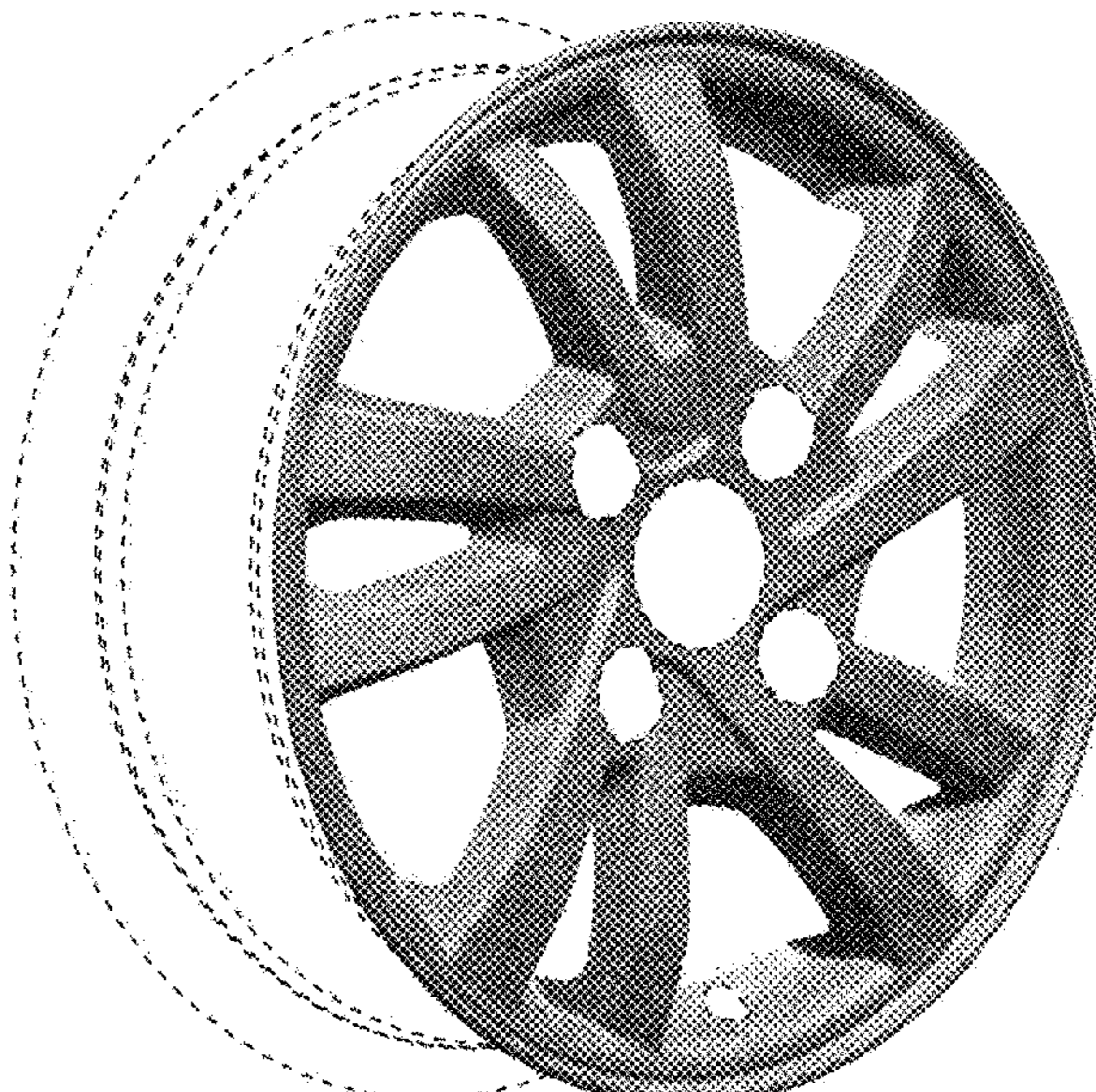
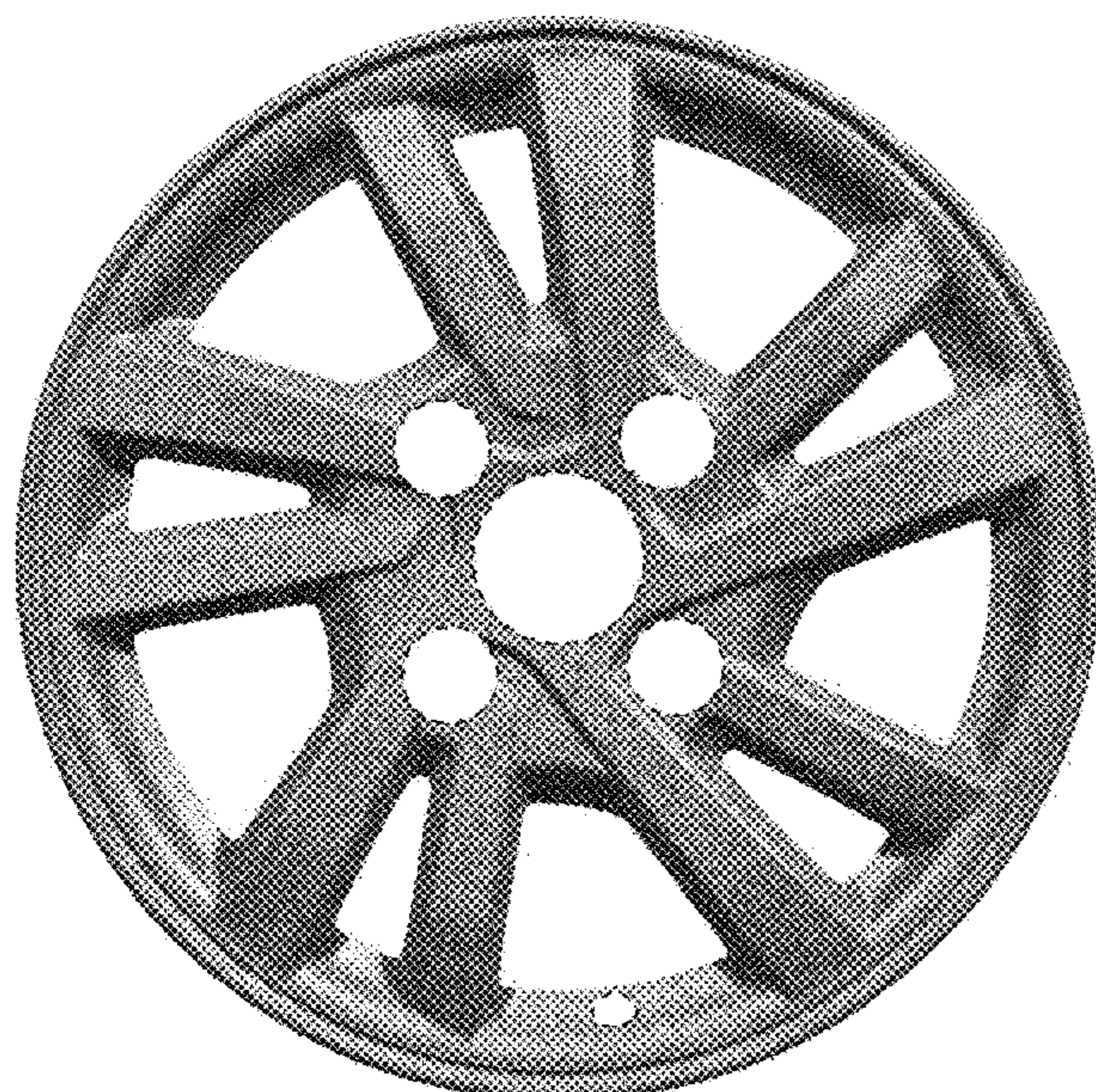
(57) **CLAIM**

The ornamental design for a vehicle wheel, as shown and described.

DESCRIPTION

FIG. 1 is a front view of a vehicle wheel.
FIG. 2 is a perspective view of the vehicle wheel; and,
FIG. 3 is a left side view of the vehicle wheel.
The broken line showing of the rear of the rim, the valve stem hole, the bolt holes and the center hole in the central hub area is included for the purpose of illustrating environment and forms no part of the claimed design.

1 Claim, 3 Drawing Sheets



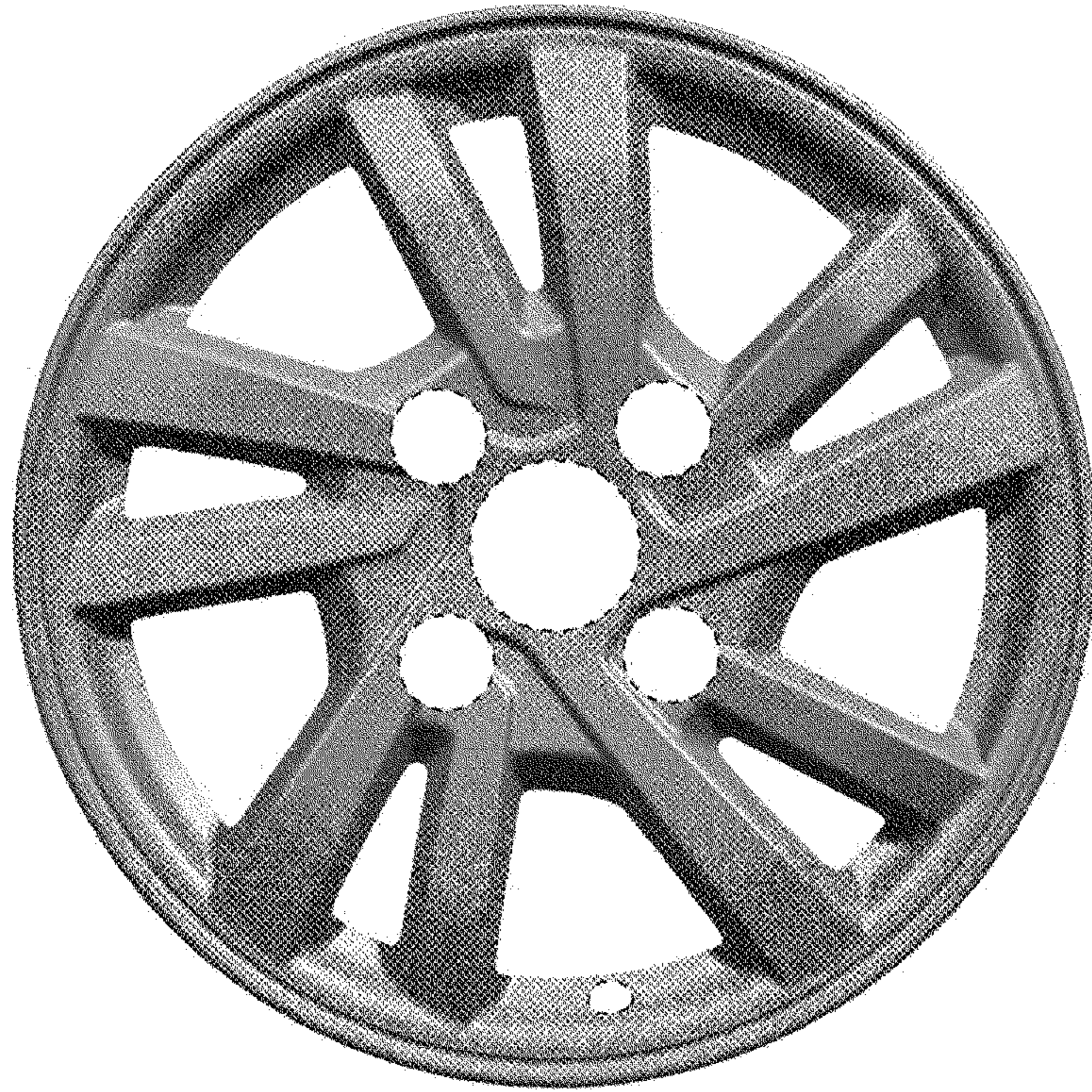


FIG. 1

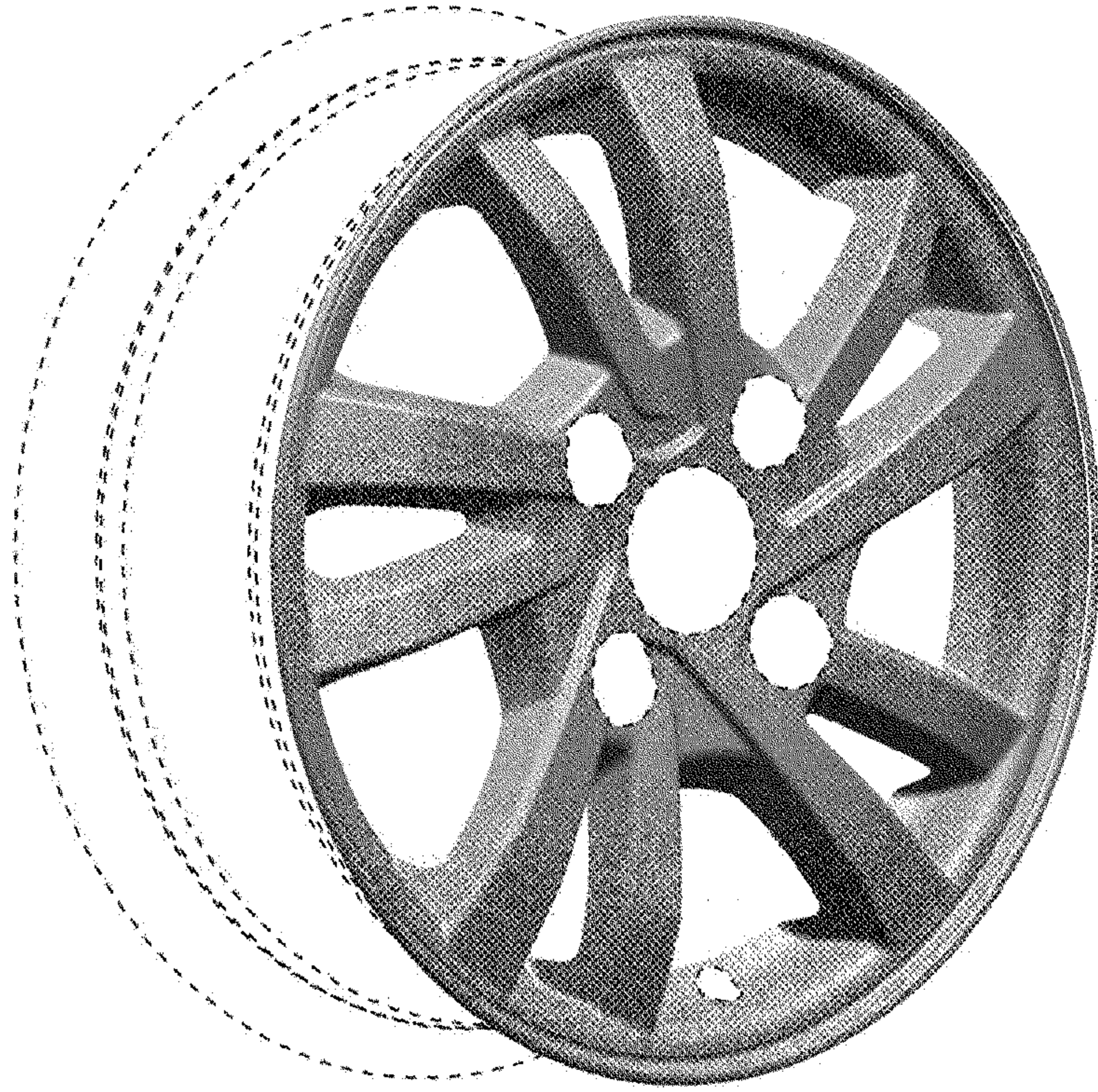


FIG. 2

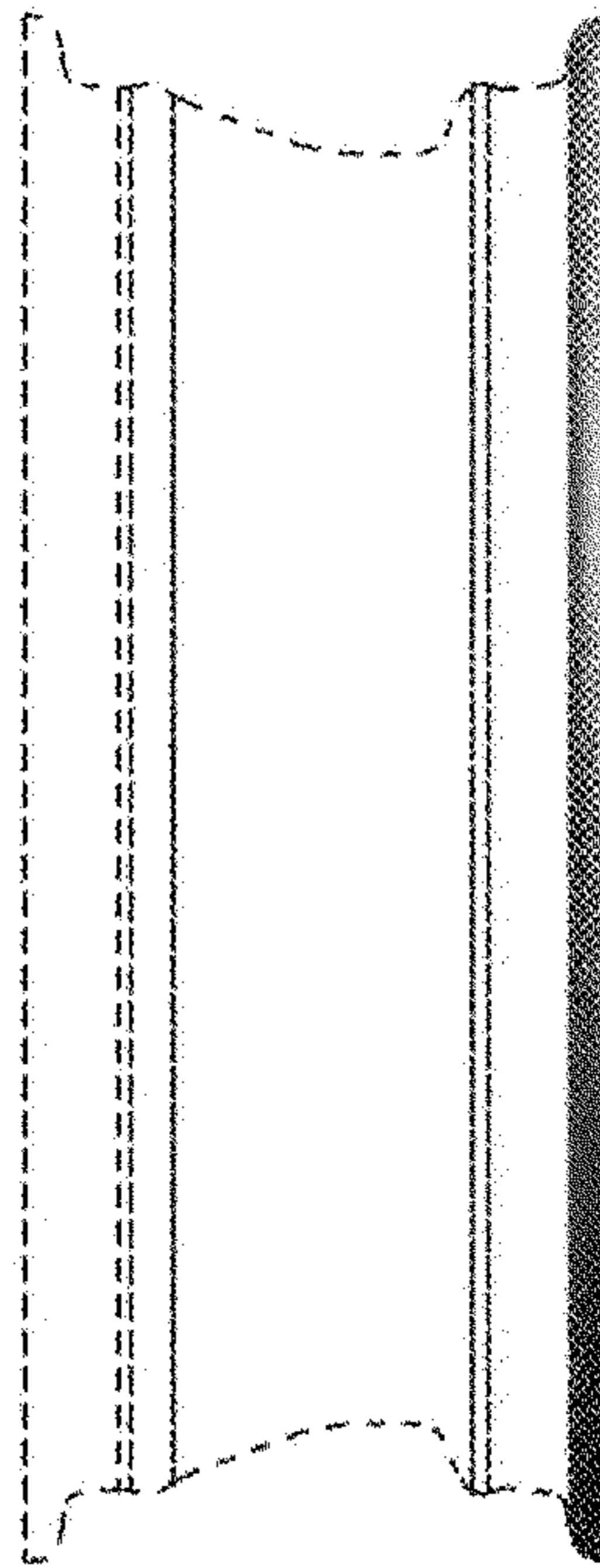


FIG. 3