



US00D913888S

(12) **United States Design Patent** (10) **Patent No.:** **US D913,888 S**
Piaskowski et al. (45) **Date of Patent:** **** Mar. 23, 2021**

(54) **VEHICLE LIFTGATE**

D873,753 S * 1/2020 Ahn D12/196
D883,885 S * 5/2020 Metros D12/196
D900,692 S * 11/2020 Lim D12/196

(71) Applicant: **Ford Global Technologies, LLC,**
Dearborn, MI (US)

(72) Inventors: **Joel Piaskowski,** Birmingham, MI (US); **Gordon M. Platto,** Troy, MI (US); **Christopher G. Walter,** Traverse City, MI (US); **Colin R. Bonathan,** Dearborn, MI (US); **Omead Dorandishyazdi,** Superior Township, MI (US); **Aditya Narayan,** Detroit, MI (US)

(73) Assignee: **Ford Global Technologies, LLC,**
Dearborn, MI (US)

(**) Term: **15 Years**

(21) Appl. No.: **29/708,902**

(22) Filed: **Oct. 10, 2019**

(51) **LOC (13) Cl.** **12-16**

(52) **U.S. Cl.**
USPC **D12/196**

(58) **Field of Classification Search**
USPC D12/82, 86, 87, 93, 96, 169, 190, 196
CPC B60J 5/00; B60J 5/10; B60J 5/102; B62D 33/023; B60R 13/0243
See application file for complete search history.

(56) **References Cited**

U.S. PATENT DOCUMENTS

D696,999 S * 1/2014 Suga D12/196
D763,758 S * 8/2016 Luk D12/196
D823,761 S * 7/2018 Luk D12/196
D828,246 S * 9/2018 Loeb D12/173
D833,939 S * 11/2018 Kim D12/196
D840,308 S * 2/2019 Schneider D12/196
D873,193 S * 1/2020 Thogersen D12/196
D873,749 S * 1/2020 Forschner D12/196

OTHER PUBLICATIONS

Ford Mach-E, www.motor1.com [online]. Published on Dec. 3, 2019, [retrieved on Dec. 2, 2020]. Retrieved from the Internet: <URL: https://www.motor1.com/photo/4522155/2021-mustang-mach-e-live-image/> (Year: 2019).*
Meghan Drummond, 2020 Mustang Hybrid, https://www.cjponyparts.com/resources/2020-mustang-hybrid Sep. 13, 2019.

(Continued)

Primary Examiner — Michael A. Pratt
Assistant Examiner — Adam C Mager
(74) *Attorney, Agent, or Firm* — Michael Spenner

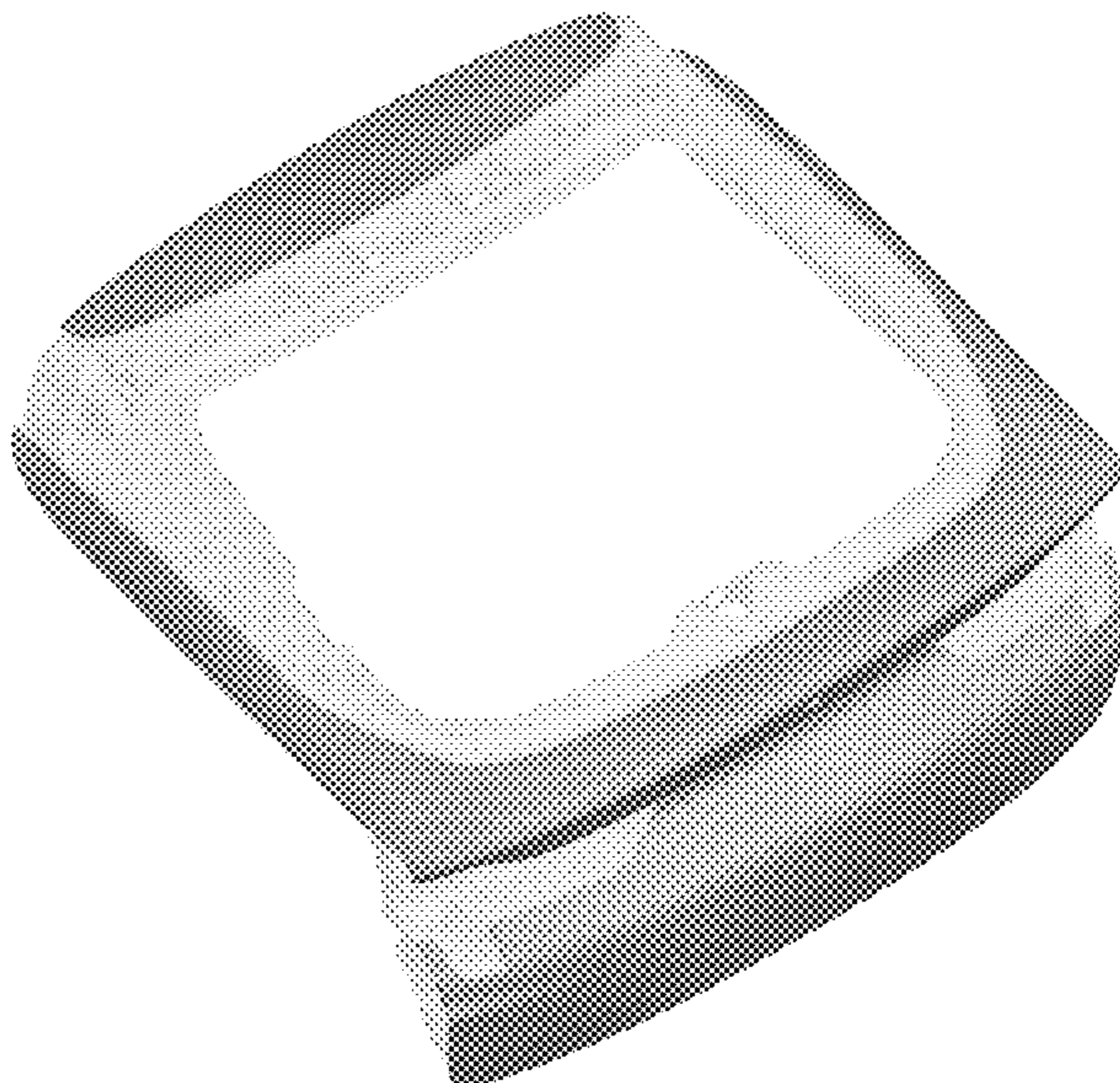
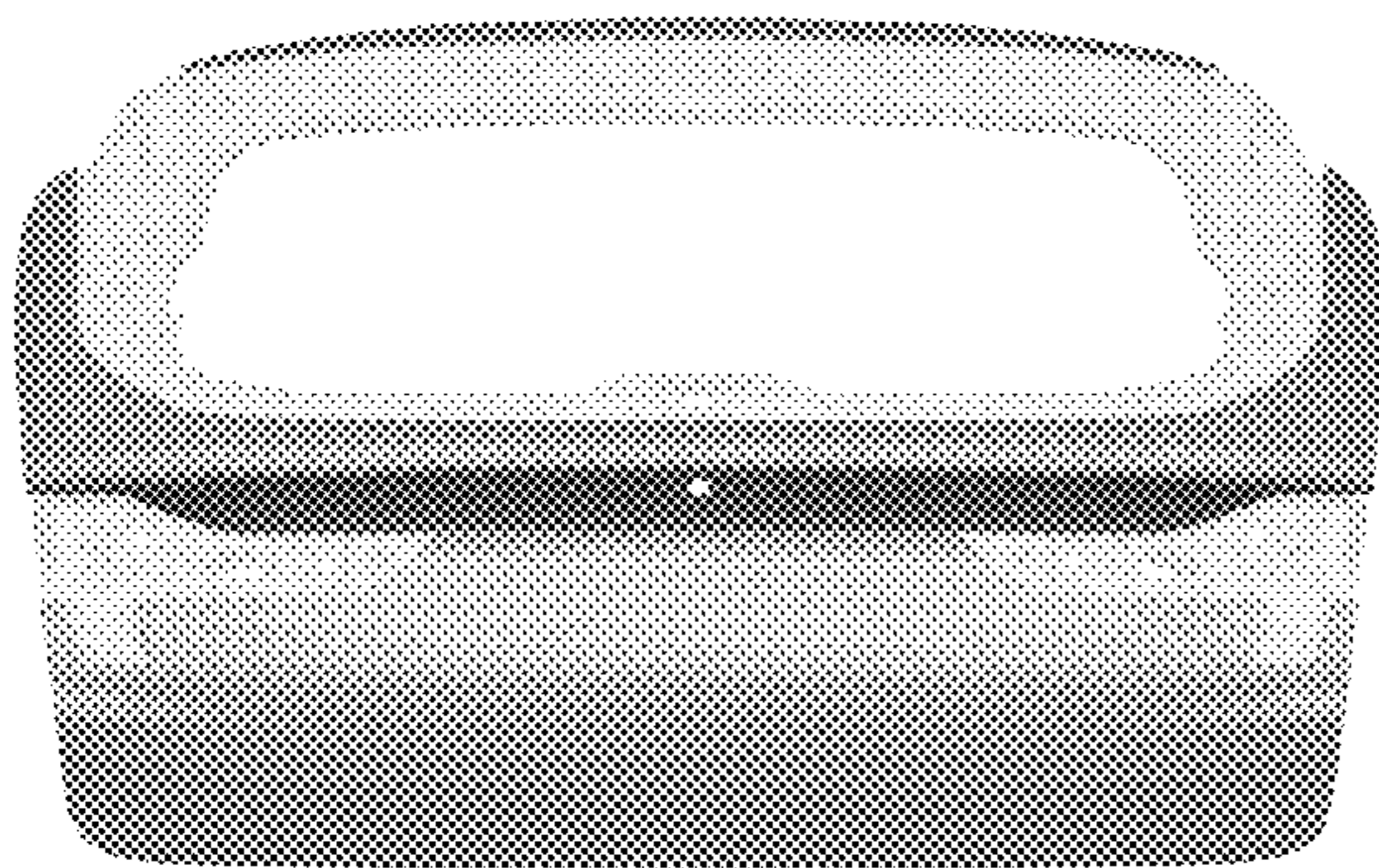
(57) **CLAIM**

The ornamental design for a vehicle liftgate, as shown and described.

DESCRIPTION

FIG. 1 is a front elevational view of a vehicle liftgate, showing our new design;
FIG. 2 is a left side elevational view thereof;
FIG. 3 is a right side elevational view thereof;
FIG. 4 is a top plan view thereof;
FIG. 5 is a bottom plan view thereof;
FIG. 6 is a top, front and left side perspective view thereof; and,
FIG. 7 is a bottom, front and left side perspective view thereof.
The claimed design is indicated by the relatively dark portions in the figures. The de-emphasized and relatively light portions form no part of the claimed design.

1 Claim, 7 Drawing Sheets



(56)

References Cited

OTHER PUBLICATIONS

Andrew Krok, Ford's 'Mustang-inspired' electric SUV: Everything we know, <https://www.cnet.com/roadshow/news/ford-mustang-inspired-electric-sub-details-rumors> Oct. 2, 2019.

Ford News Clips—Briefing, Ford's EV Strategy takes Shape in Search For Popularity and Profit, Sep. 3, 2019.

* cited by examiner

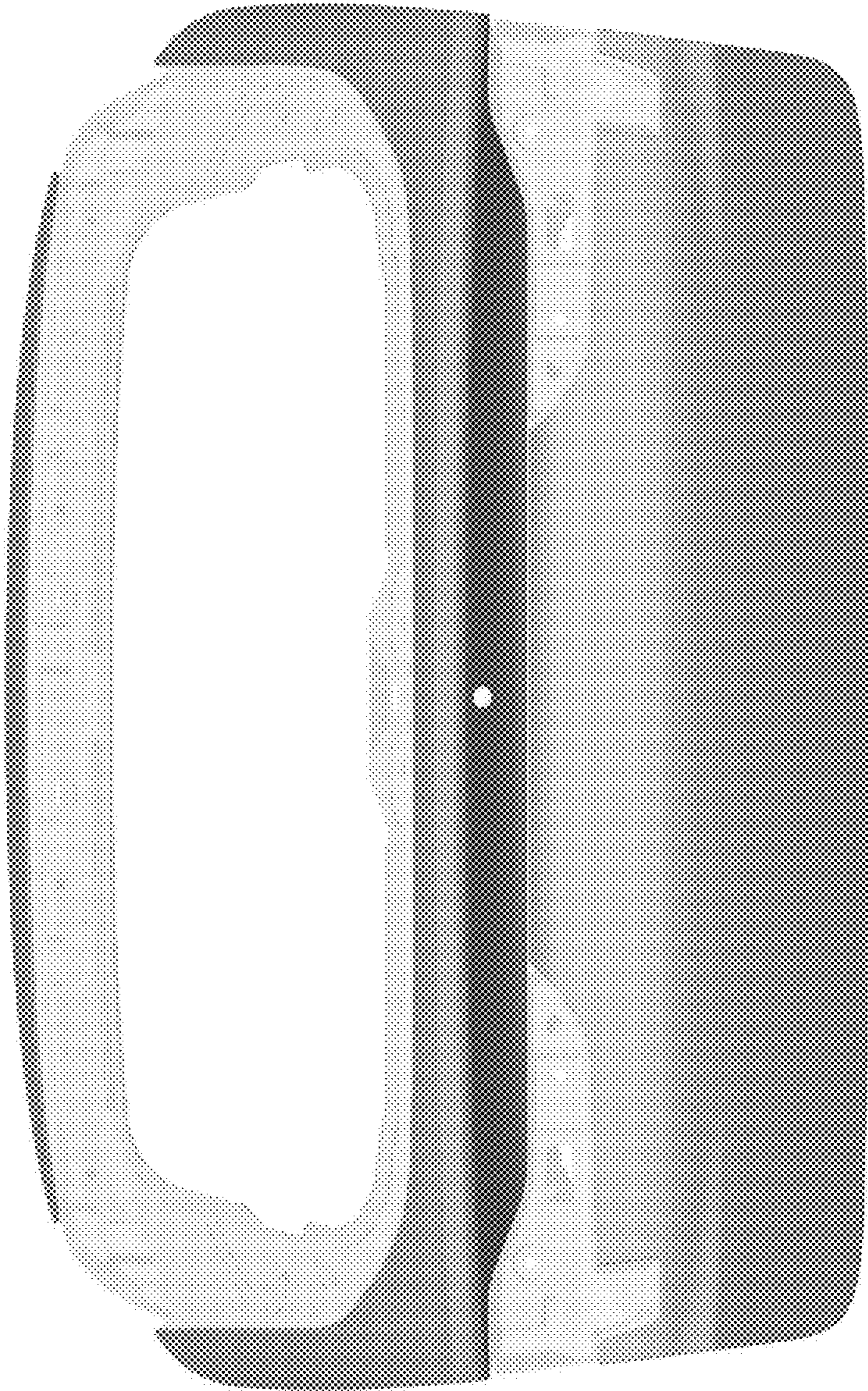


Fig.1

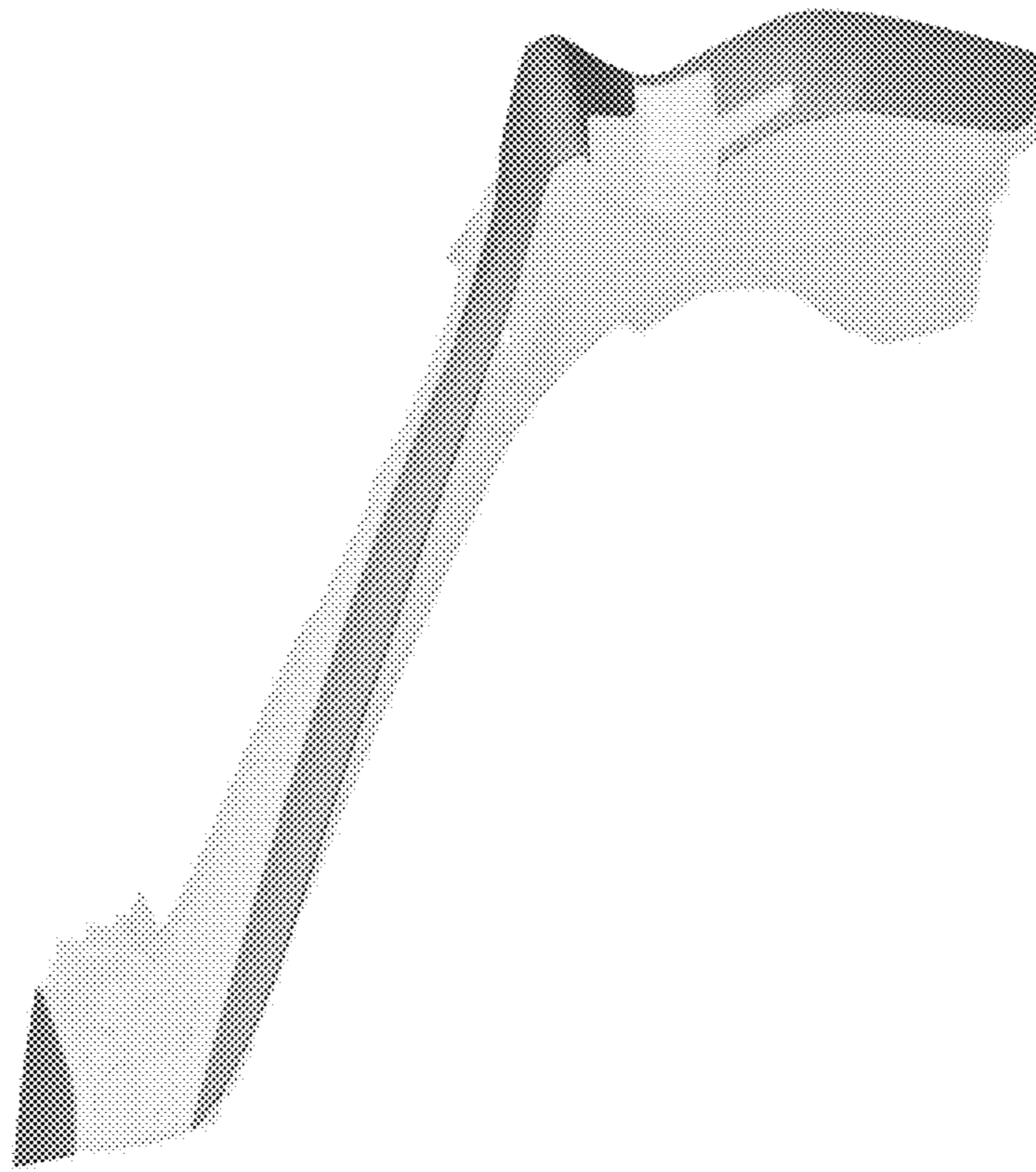


Fig. 2

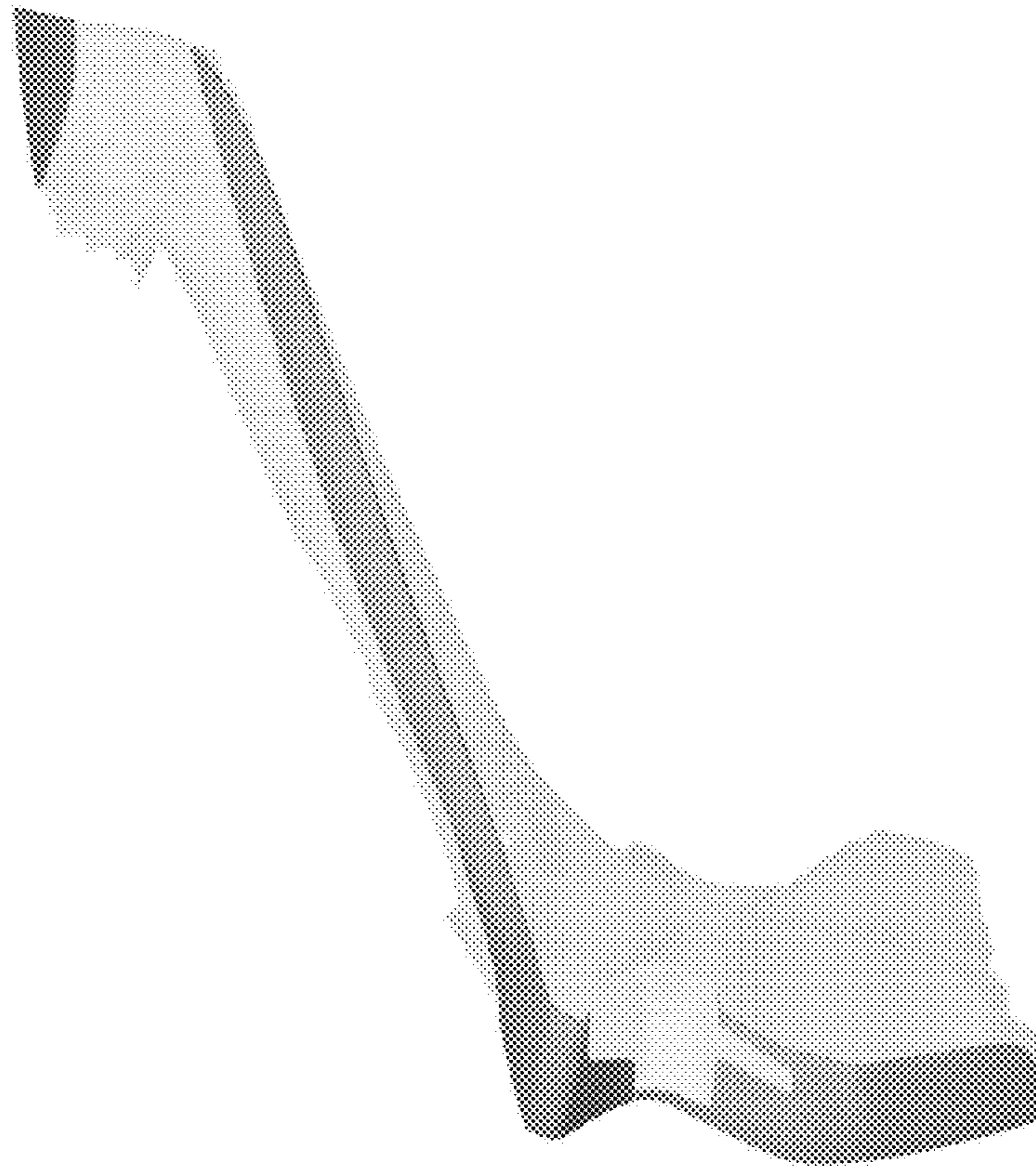


Fig. 3

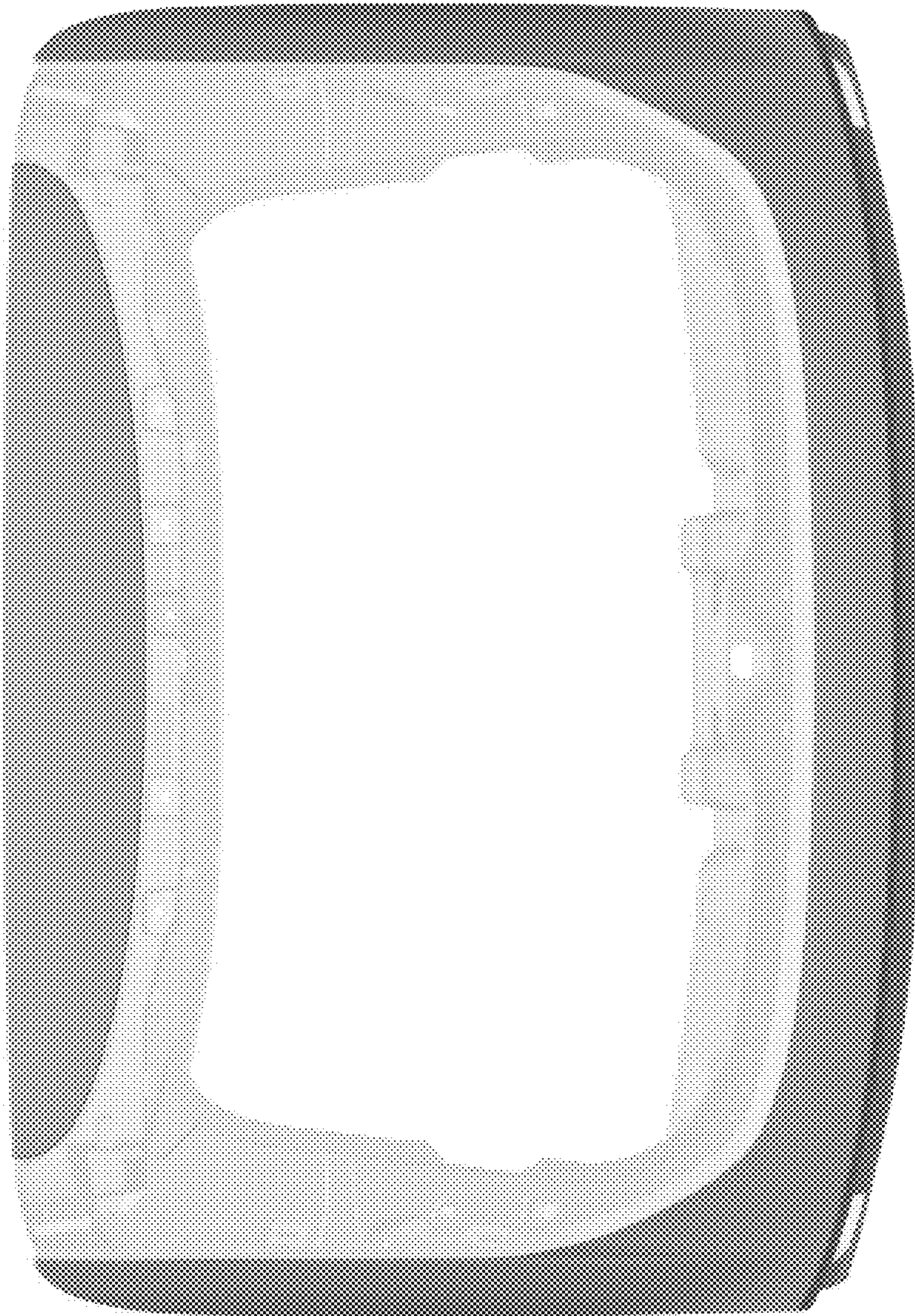


Fig.4

Fig. 5

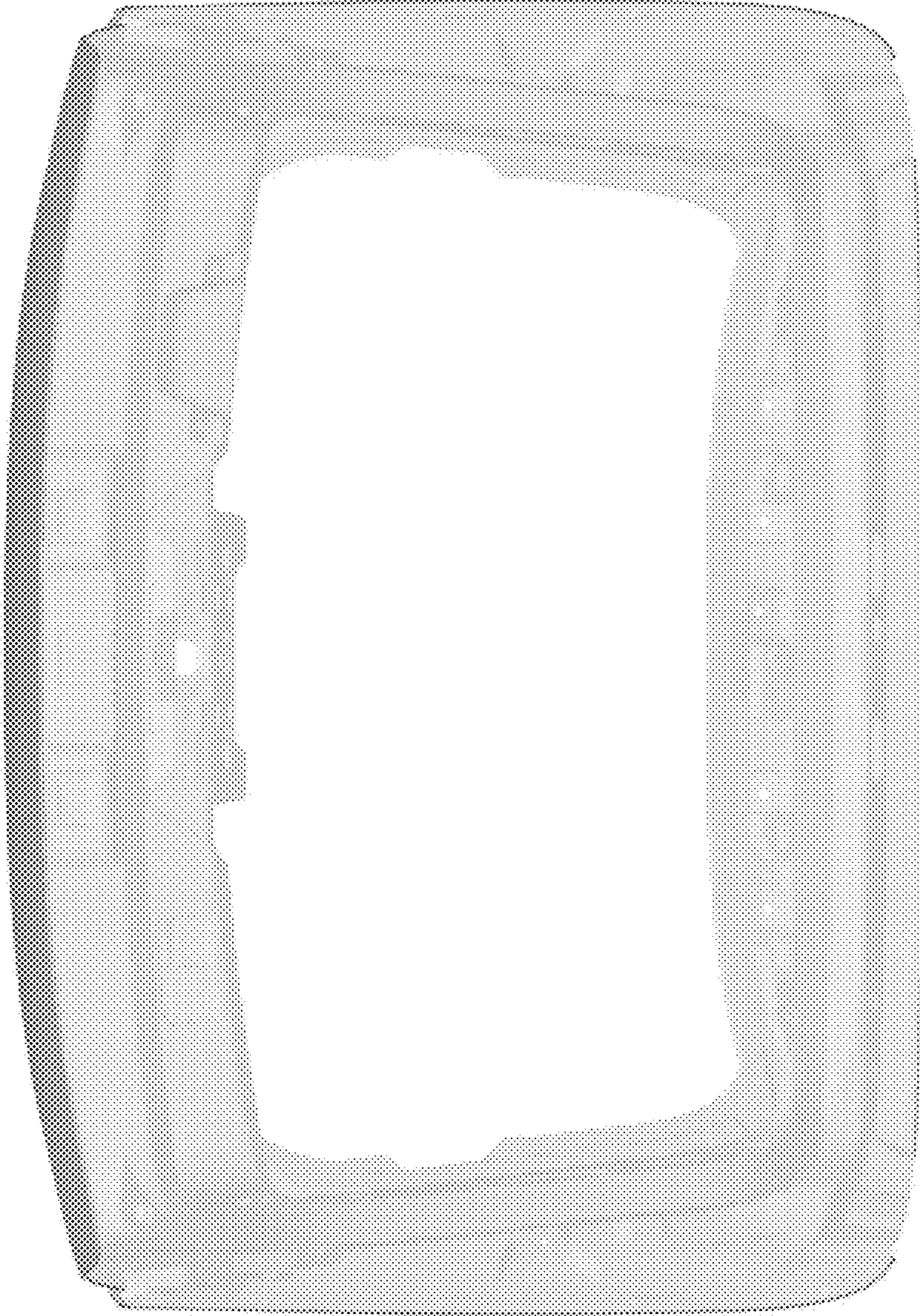




Fig. 6

Fig. 7

