



US00D913887S

(12) **United States Design Patent**
von Holzhausen

(10) **Patent No.:** **US D913,887 S**
(45) **Date of Patent:** **** Mar. 23, 2021**

- (54) **LIFTGATE**
- (71) Applicant: **TESLA, INC.**, Palo Alto, CA (US)
- (72) Inventor: **Franz von Holzhausen**, Malibu, CA (US)
- (73) Assignee: **Tesla, Inc.**, Palo Alto, CA (US)
- (**) Term: **15 Years**
- (21) Appl. No.: **29/670,439**
- (22) Filed: **Nov. 15, 2018**
- (51) **LOC (13) Cl.** **12-16**
- (52) **U.S. Cl.**
USPC **D12/196**
- (58) **Field of Classification Search**
USPC D12/86, 90-92, 164, 173, 184-186, 190, D12/196
CPC B60R 13/04; B60R 19/54; B62D 25/12; B62D 27/026; B62D 35/005; B60J 5/0412
See application file for complete search history.

D769,782 S * 10/2016 Kozub D12/196
 D805,963 S * 12/2017 Varga D12/92
 D842,787 S * 3/2019 Manzoni D12/196

FOREIGN PATENT DOCUMENTS

WO D074925-001 * 4/2011

OTHER PUBLICATIONS

Tesla Roadster <https://www.tesla.com/roadster> Available Nov. 19, 2017 (Year: 2017).*

* cited by examiner

Primary Examiner — Leanne Was-Englehart

(74) *Attorney, Agent, or Firm* — Knobbe, Martens, Olson & Bear, LLP

(57) **CLAIM**

The ornamental design for a liftgate, as shown and described.

DESCRIPTION

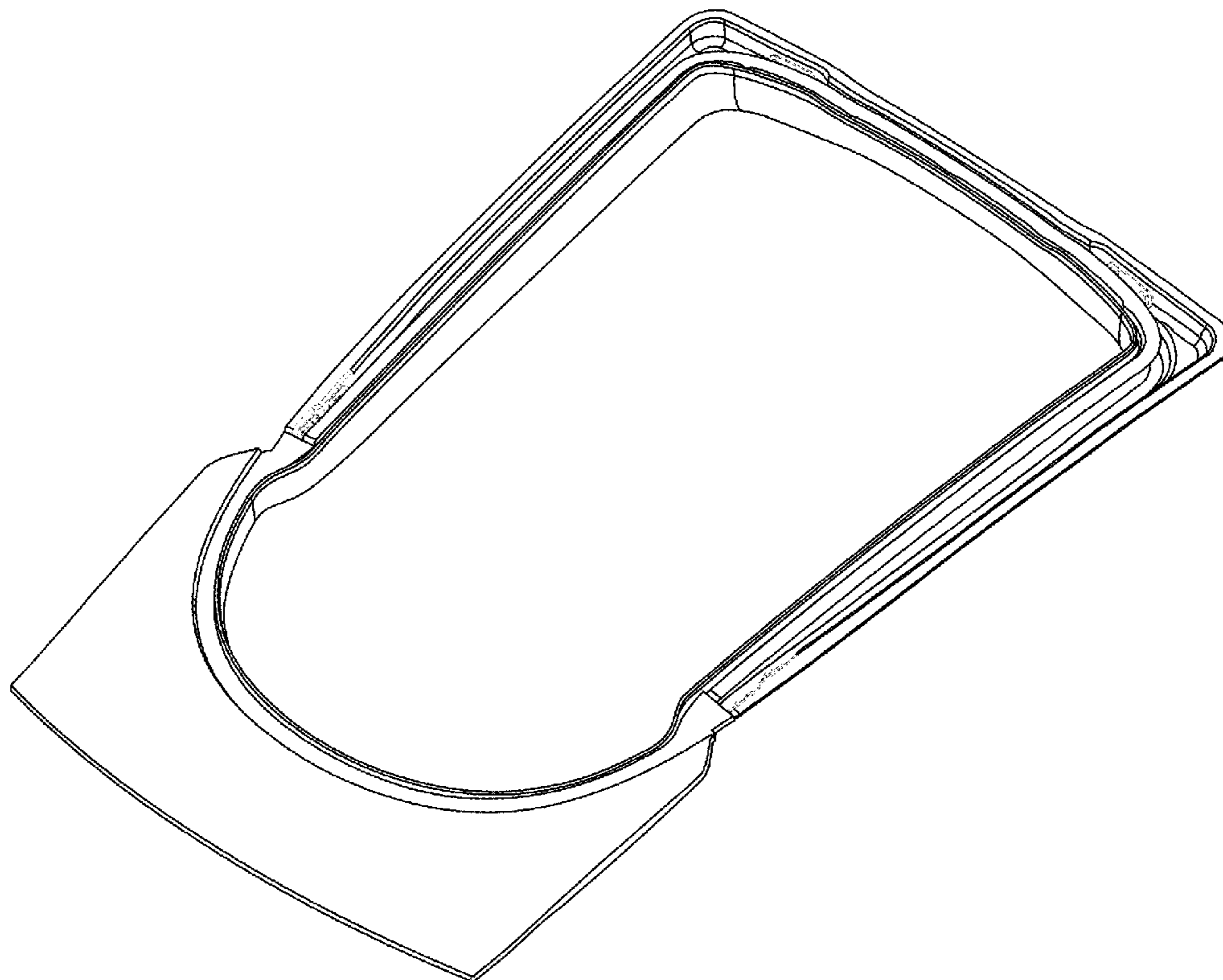
FIG. 1 is a back view of a liftgate.
 FIG. 2 is a bottom view of the liftgate of FIG. 1.
 FIG. 3 is a front view of the liftgate of FIG. 1.
 FIG. 4 is an isometric view of the liftgate of FIG. 1.
 FIG. 5 is a left-side view of the liftgate of FIG. 1.
 FIG. 6 is a right-side view of the liftgate of FIG. 1; and,
 FIG. 7 is a top view of the liftgate of FIG. 1.
 The items shown with broken lines form no part of the claimed design.

1 Claim, 7 Drawing Sheets

(56) **References Cited**

U.S. PATENT DOCUMENTS

D410,222 S * 5/1999 Hayashi D12/196
 D429,677 S * 8/2000 Hayashi D12/196
 D580,330 S * 11/2008 Gueler D12/196
 D716,711 S * 11/2014 Scheinhutte D12/196
 D766,150 S * 9/2016 Varga D12/196



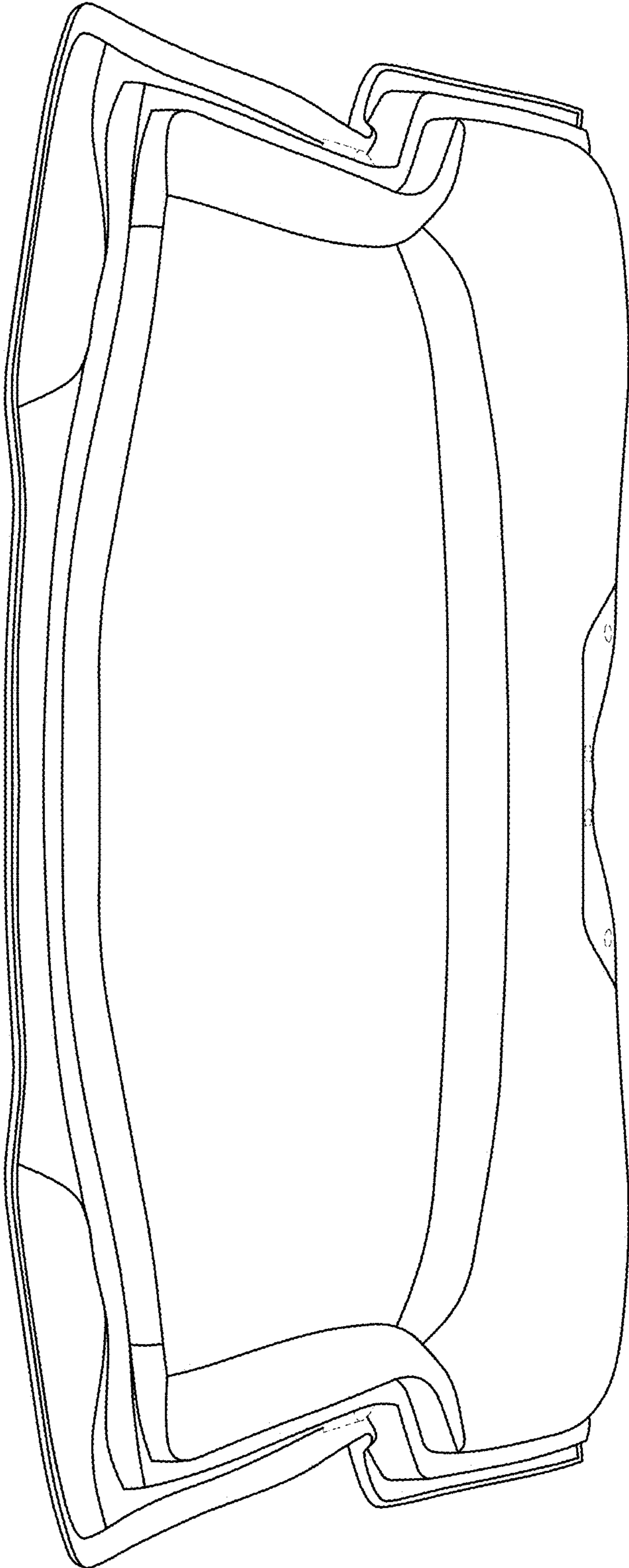


FIG. 1

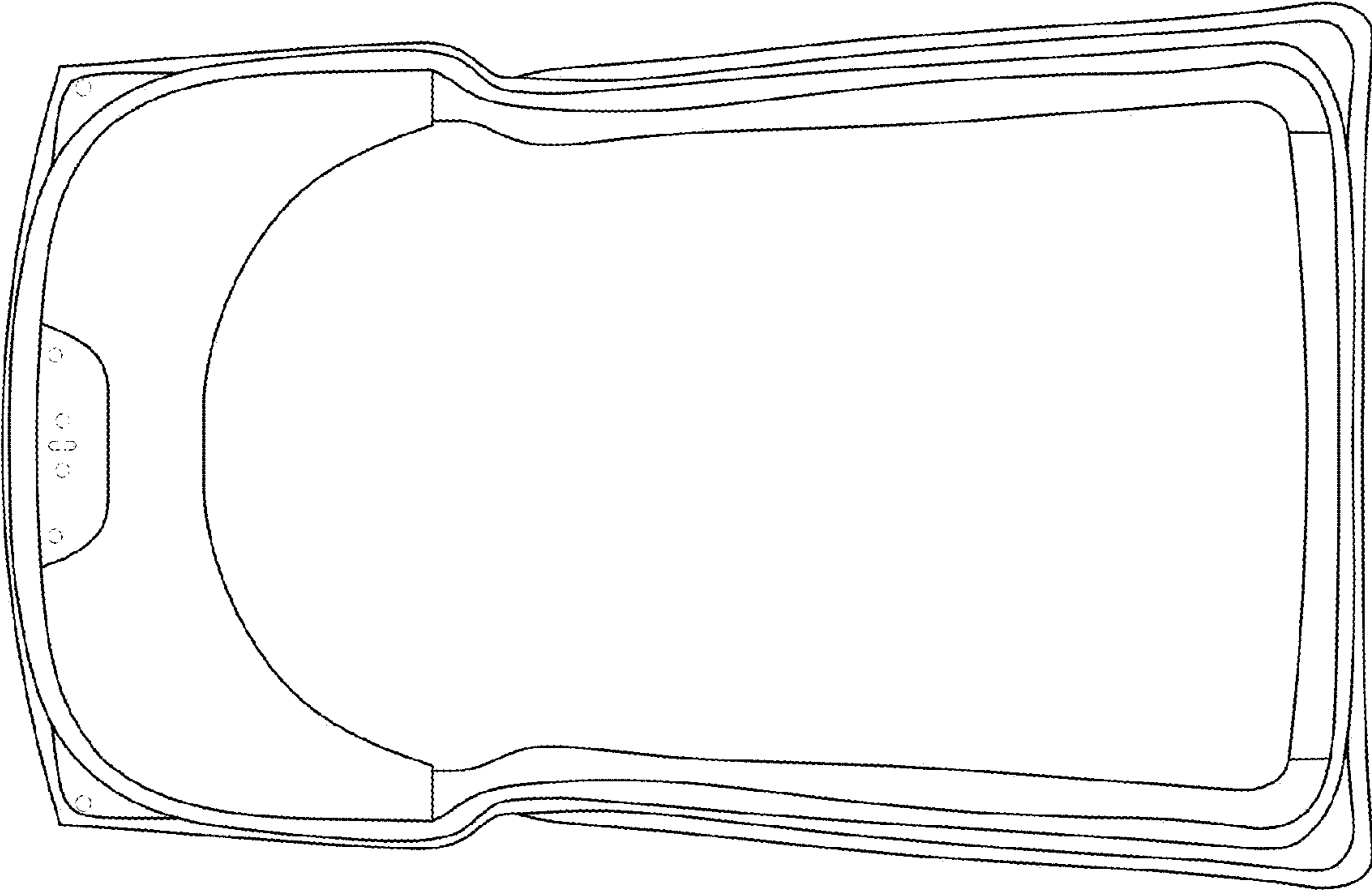


FIG. 2

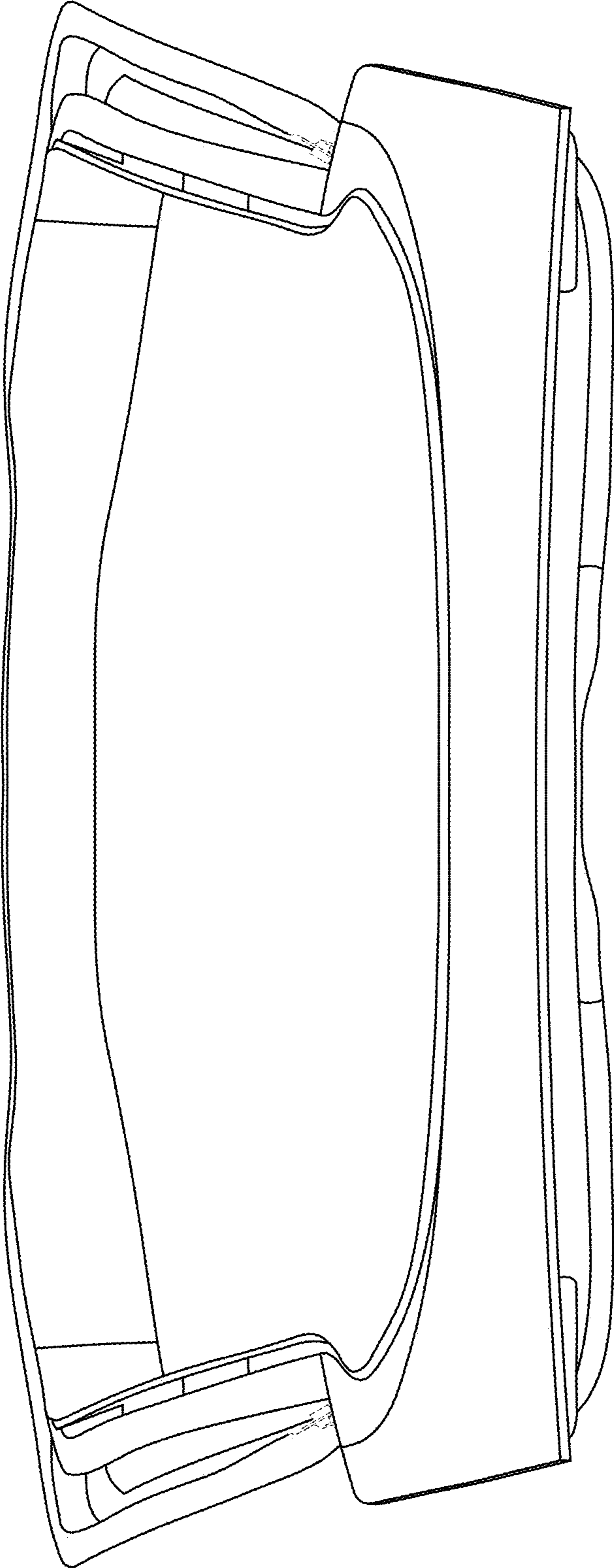


FIG. 3

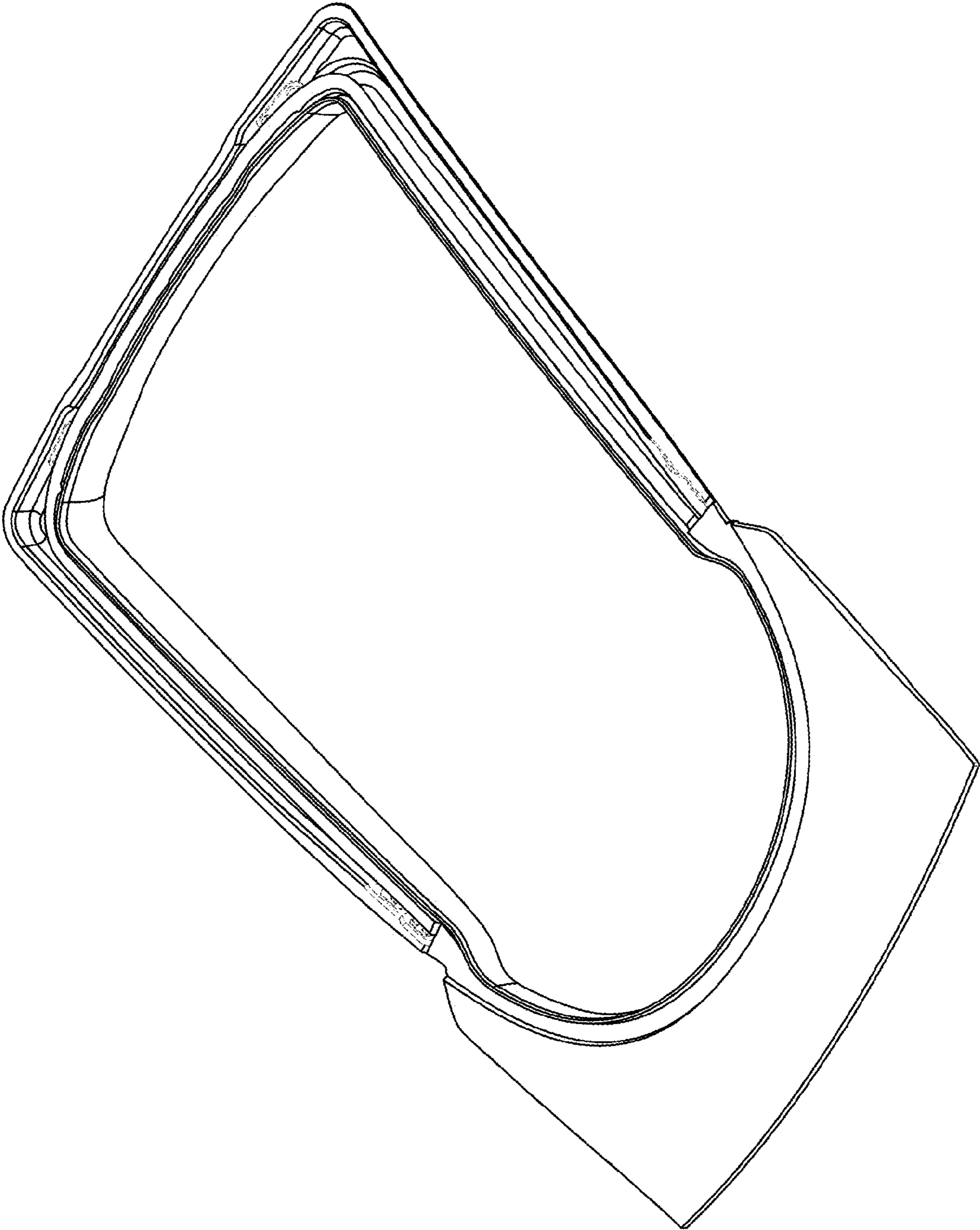


FIG. 4

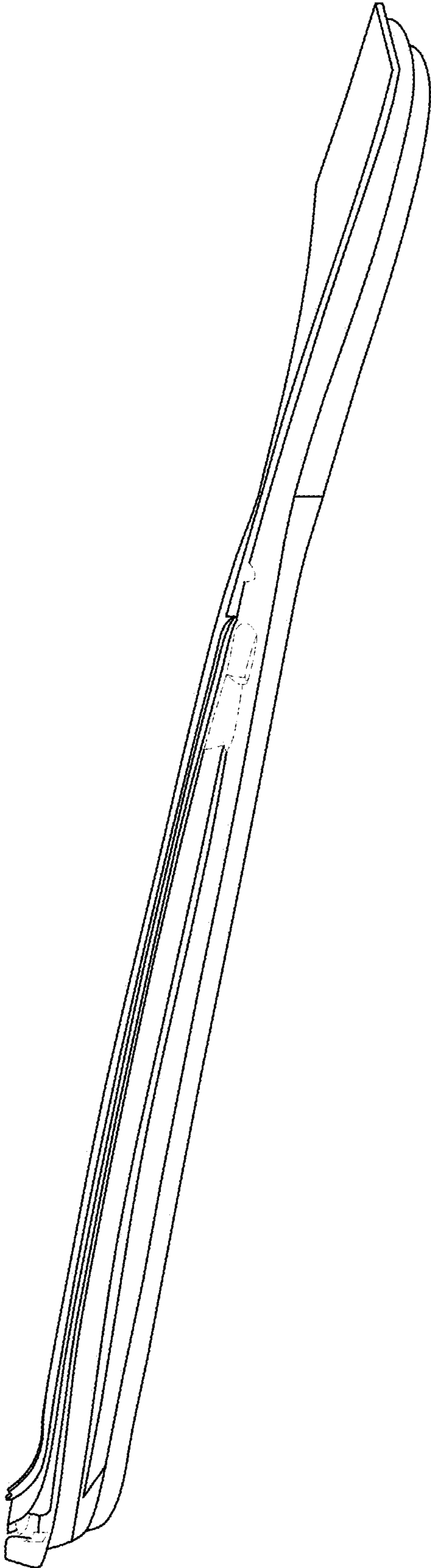


FIG. 5

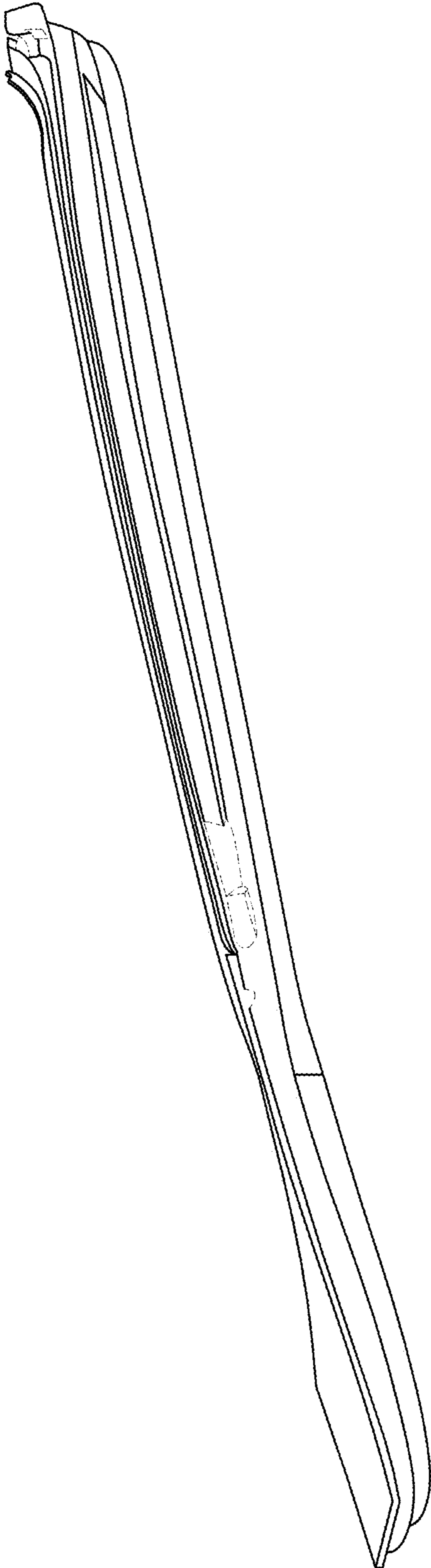


FIG. 6

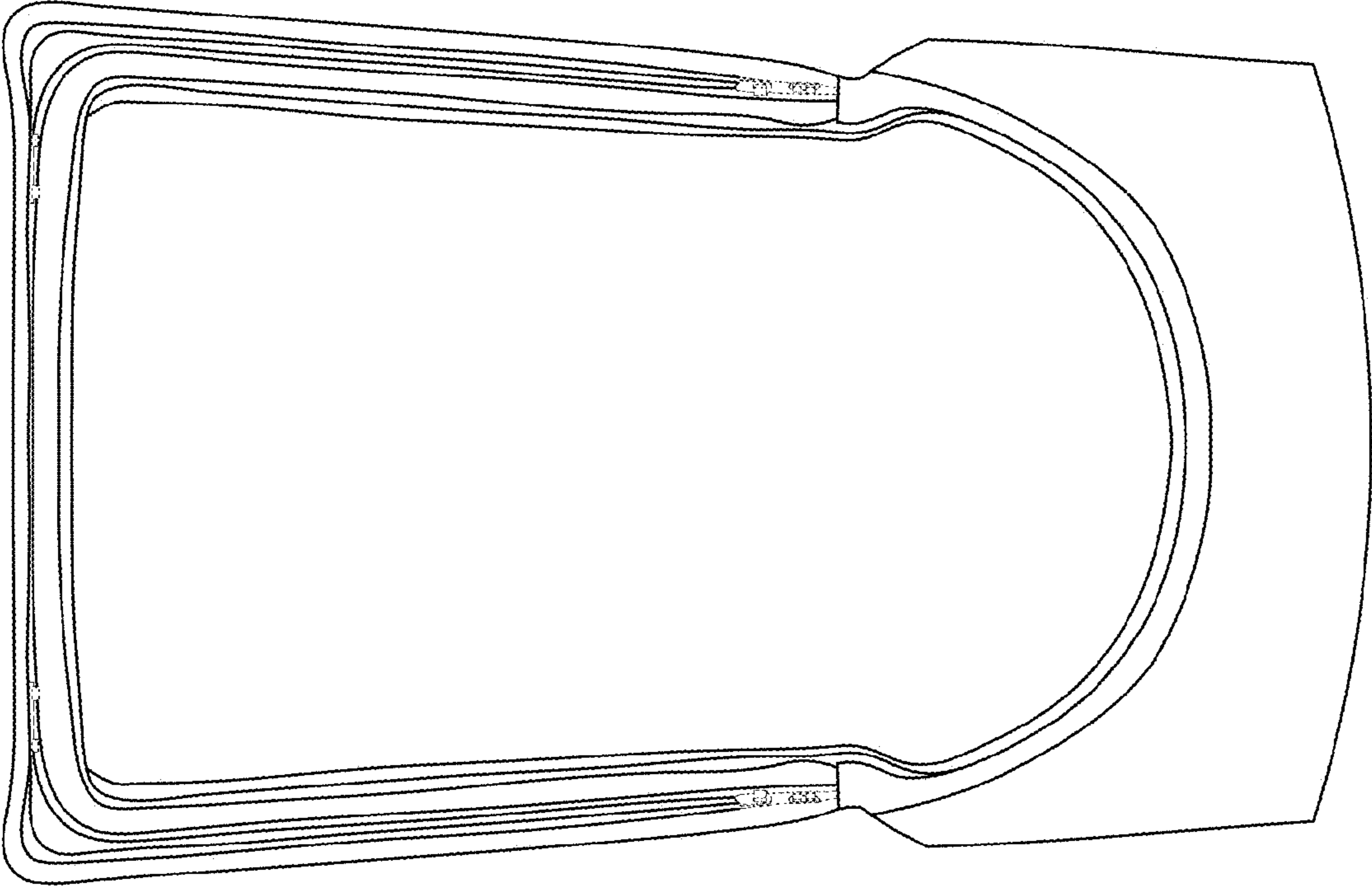


FIG. 7