



US00D913886S

(12) **United States Design Patent** (10) **Patent No.:** **US D913,886 S**
Dean (45) **Date of Patent:** **** Mar. 23, 2021**

(54) **MUFFLER FILTER**
(71) Applicant: **Christopher Dean**, Palm Coast, FL (US)
(72) Inventor: **Christopher Dean**, Palm Coast, FL (US)
(**) Term: **15 Years**
(21) Appl. No.: **29/704,942**
(22) Filed: **Sep. 9, 2019**
(51) **LOC (13) Cl.** **12-16**
(52) **U.S. Cl.**
USPC **D12/194**
(58) **Field of Classification Search**
USPC D12/194; D15/5
CPC F02M 35/08; F01N 13/18; F01N 3/0857;
F01N 3/0821; F01N 13/082; F01N 13/001; F01N 2260/20; F01N 2260/00
See application file for complete search history.

(56) **References Cited**

U.S. PATENT DOCUMENTS

D261,501 S * 10/1981 Schenker D12/194
D263,496 S * 3/1982 Kimball D12/194
D386,137 S * 11/1997 Bailey D12/194
D793,528 S * 8/2017 Fuller D23/214
2019/0277173 A1* 9/2019 Dean F01N 13/009
2019/0390590 A1* 12/2019 Koehler F01N 13/1844

* cited by examiner

Primary Examiner — Michael A. Pratt
(74) *Attorney, Agent, or Firm* — The Concept Law Group, PA; Scott D. Smiley; Andre L. Adkins

(57) **CLAIM**

The ornamental design for a muffler filter, shown and described.

DESCRIPTION

The patent or application file contains at least one drawing executed in color. Copies of this patent or patent application publication with color drawing(s) will be provided by the Office upon request and payment of the necessary fee.
FIG. 1 shows a first perspective view of the muffler filter; FIG. 2 shows a second perspective view of the muffler filter; FIG. 3 shows a left side rear view of the muffler filter; FIG. 4 shows a top view of the muffler filter; FIG. 5 shows a side view of the muffler filter; FIG. 6 shows a first exploded view of the muffler filter; FIG. 7 shows a second exploded view of the muffler filter; FIG. 8 shows a third perspective view of the muffler filter; FIG. 9 shows a first left side view of the muffler filter; FIG. 10 shows a fourth perspective view of the muffler filter; FIG. 11 shows a fifth perspective view of the muffler filter; and, FIG. 12 shows a second left side view of the muffler filter.

1 Claim, 12 Drawing Sheets
(12 of 12 Drawing Sheet(s) Filed in Color)

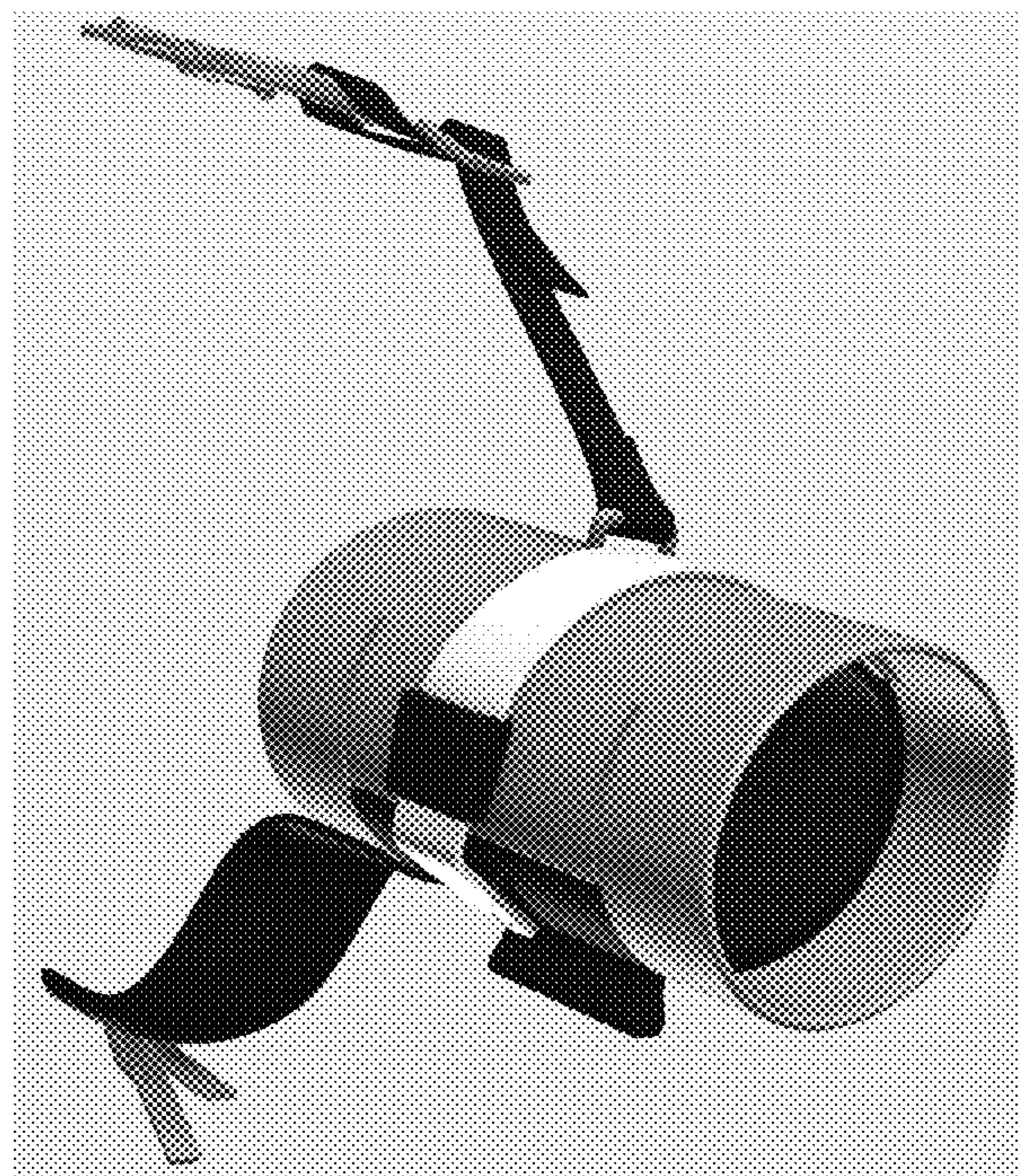




FIG. 2

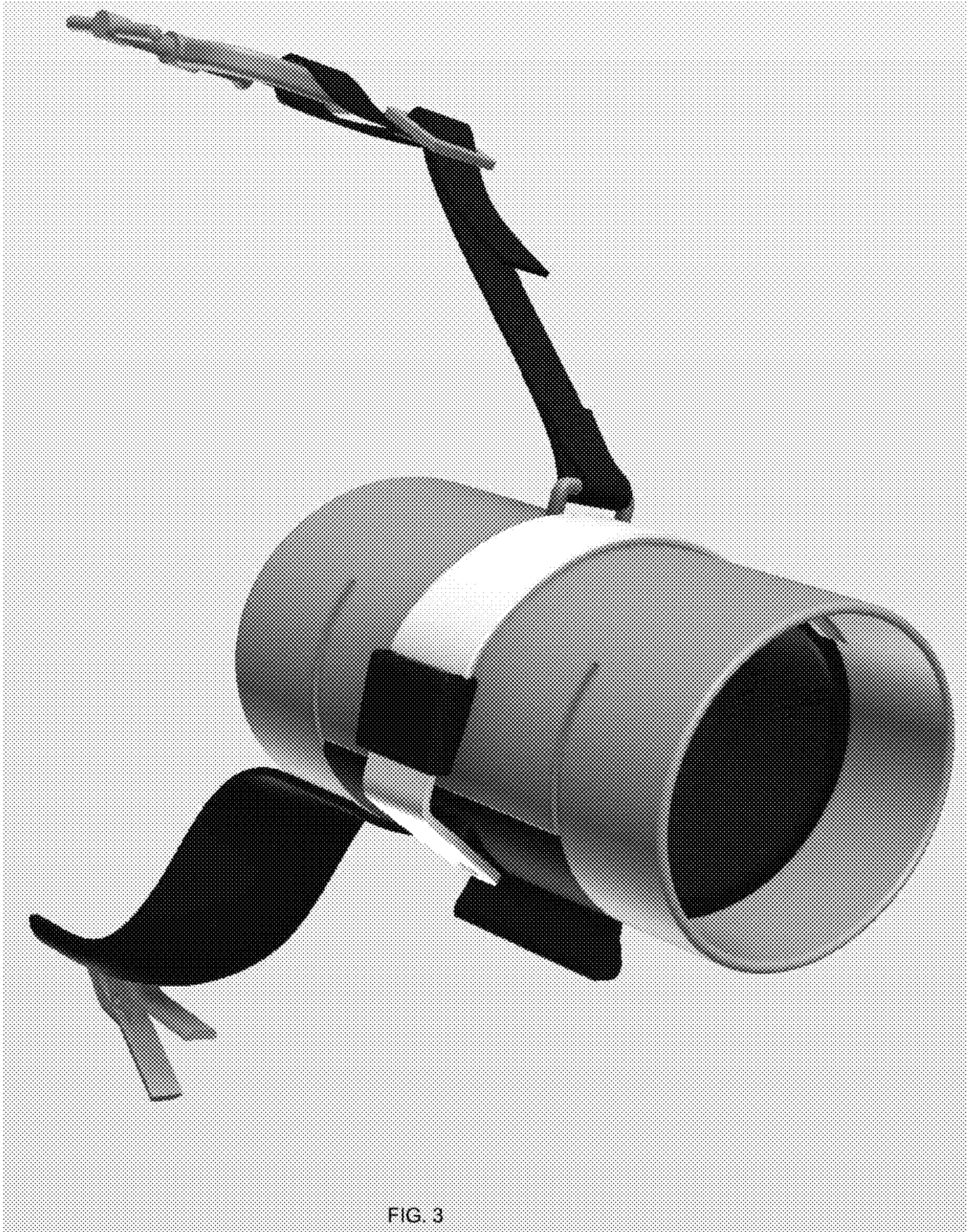


FIG. 3



FIG. 4

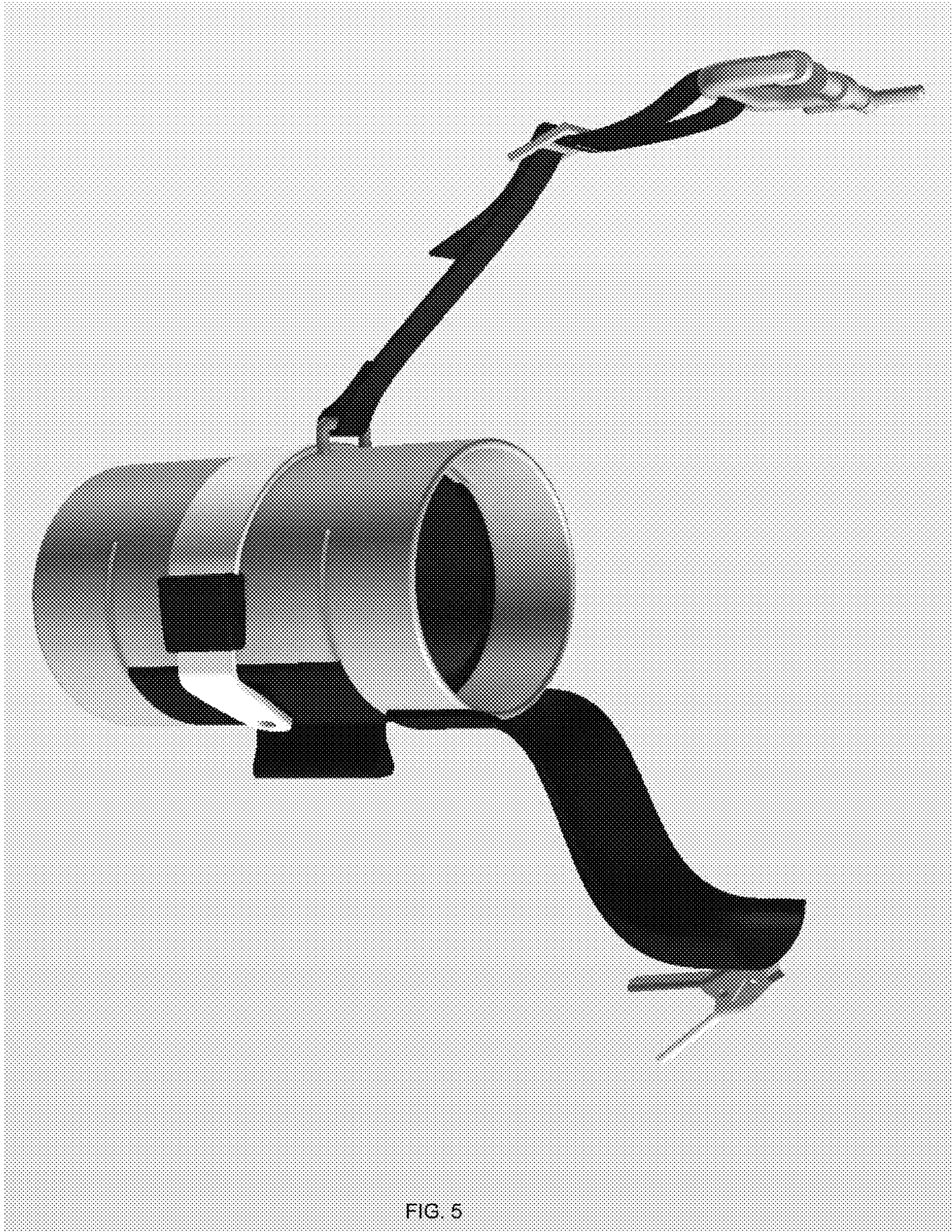


FIG. 5

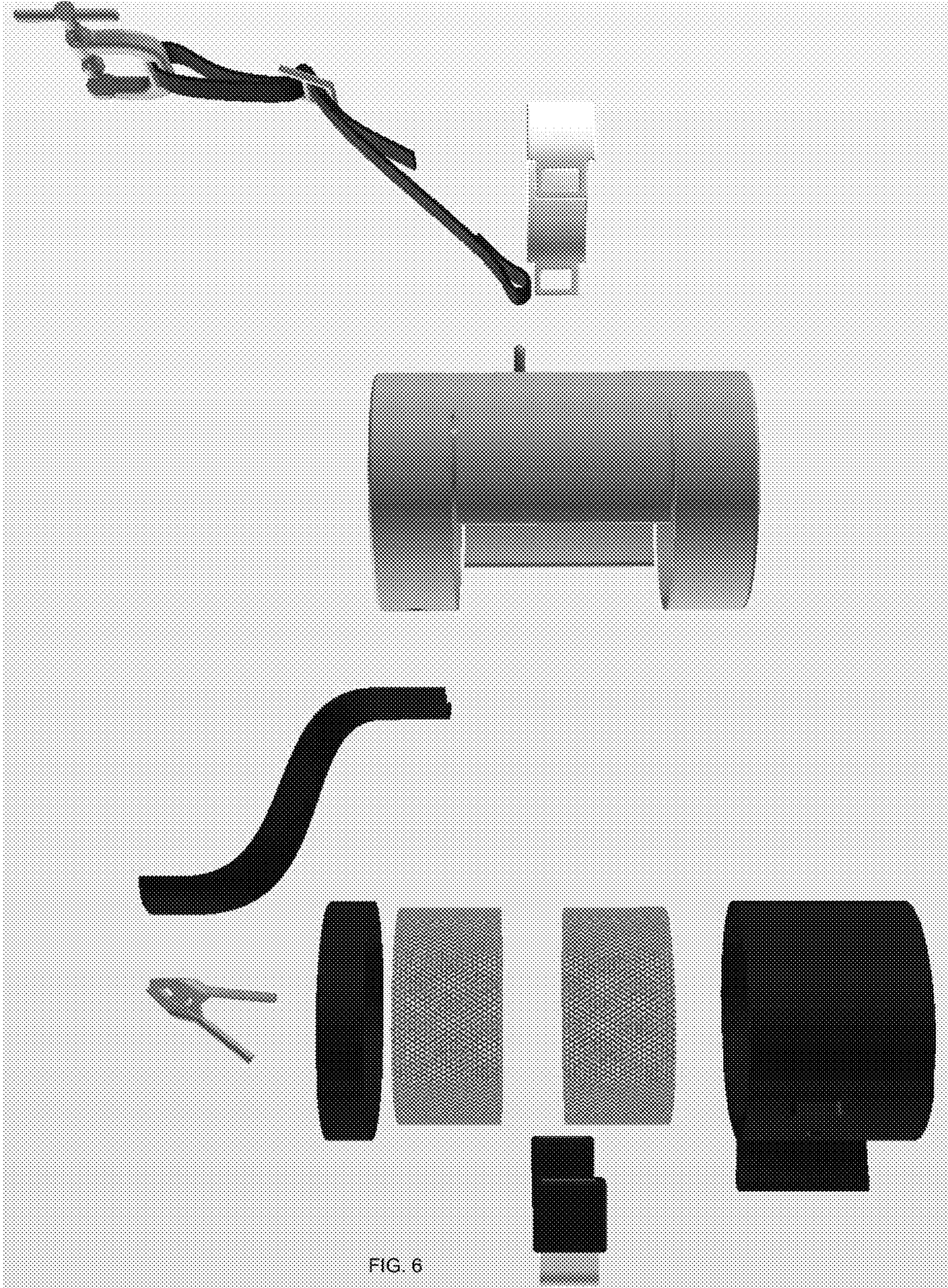


FIG. 6



FIG. 7

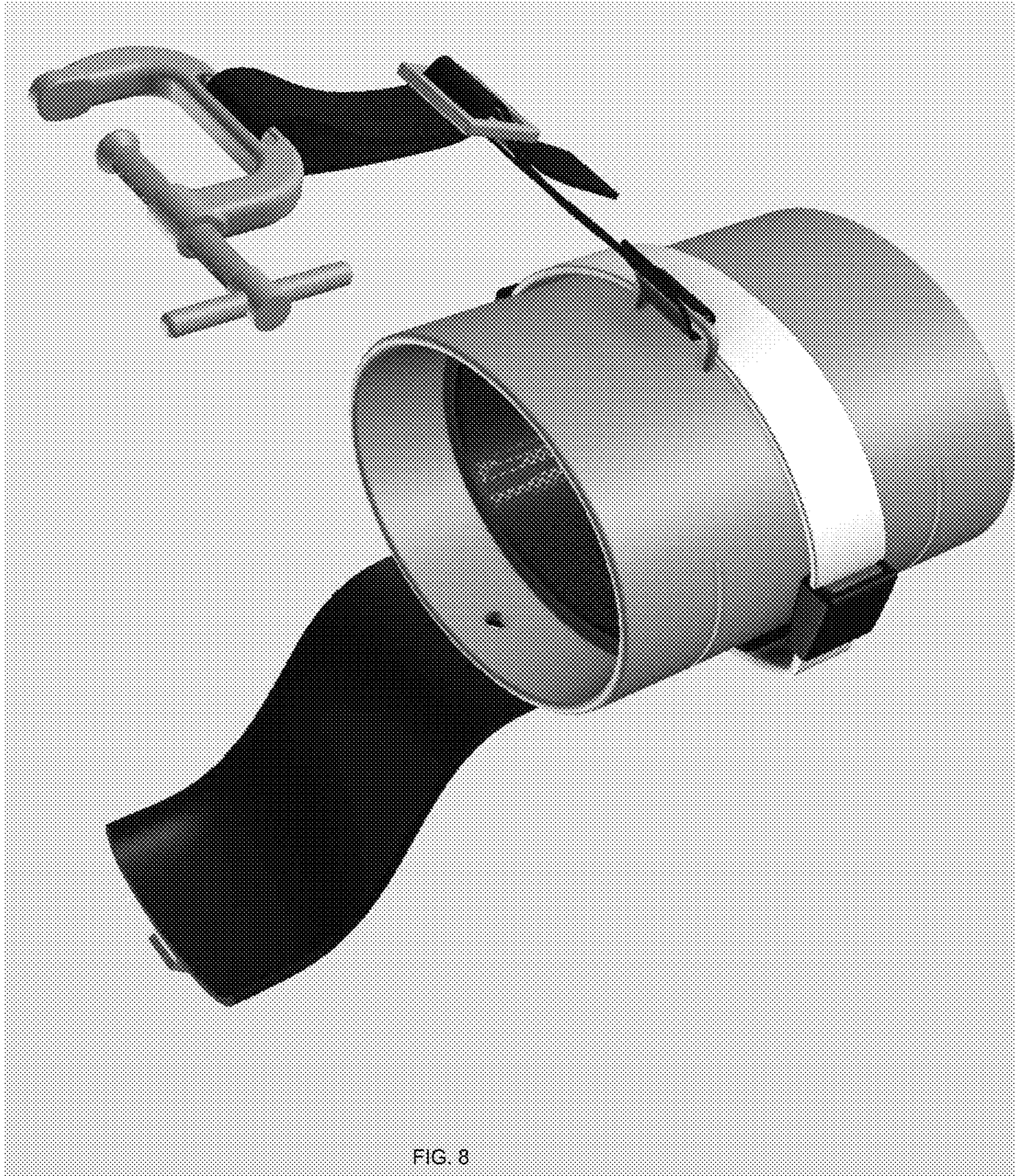




FIG. 9



FIG. 10



FIG. 11



FIG. 12