



US00D913881S

(12) **United States Design Patent**
Hilliard et al.

(10) **Patent No.:** **US D913,881 S**

(45) **Date of Patent:** **** Mar. 23, 2021**

(54) **VEHICLE MIRROR**

D880,385 S * 4/2020 Gillam D12/187
D881,094 S * 4/2020 Dewitt D12/187
D886,015 S * 6/2020 Kim D12/187

(71) Applicant: **Ford Global Technologies, LLC,**
Dearborn, MI (US)

(72) Inventors: **Heath W. Hilliard,** Detroit, MI (US);
Dong H. Park, Canton, MI (US);
Brian S. Paik, Los Angeles, CA (US);
Paul J. Wraith, West Bloomfield, MI (US)

(73) Assignee: **Ford Global Technologies, LLC,**
Dearborn, MI (US)

(**) Term: **15 Years**

(21) Appl. No.: **29/700,457**

(22) Filed: **Aug. 2, 2019**

(51) **LOC (13) Cl.** **12-16**

(52) **U.S. Cl.**
USPC **D12/187**

(58) **Field of Classification Search**
USPC D12/187, 188, 189; D6/300, 309
CPC B60R 1/076; B60R 1/074; B60R 1/078;
B60R 1/08; B60R 1/081; B60R 1/082;
G02B 7/18; G02B 7/182; G02B 5/08
See application file for complete search history.

(56) **References Cited**

U.S. PATENT DOCUMENTS

D713,769 S * 9/2014 Knothe D12/187
D716,206 S * 10/2014 Thole D12/187
D802,502 S * 11/2017 McMahan D12/187
D804,379 S * 12/2017 McMahan D12/187
D807,263 S * 1/2018 Piscitelli D12/187
D809,442 S * 2/2018 Zipfel D12/187
D839,157 S * 1/2019 Smith D12/187
D851,002 S * 6/2019 Kozub D12/187
D865,598 S * 11/2019 Grand D12/187

OTHER PUBLICATIONS

Michael Martinez, Ford's 2020 Baby Bronco off-roader emerges in photos from dealer meeting, <http://www.automews.com/article/20181113/OEM04/181119911/ford-baby-bronco-photos-leaked> Nov. 13, 2018.

* cited by examiner

Primary Examiner — Susan E Krakower
Assistant Examiner — Jerry Shiuan-Hua Hsu

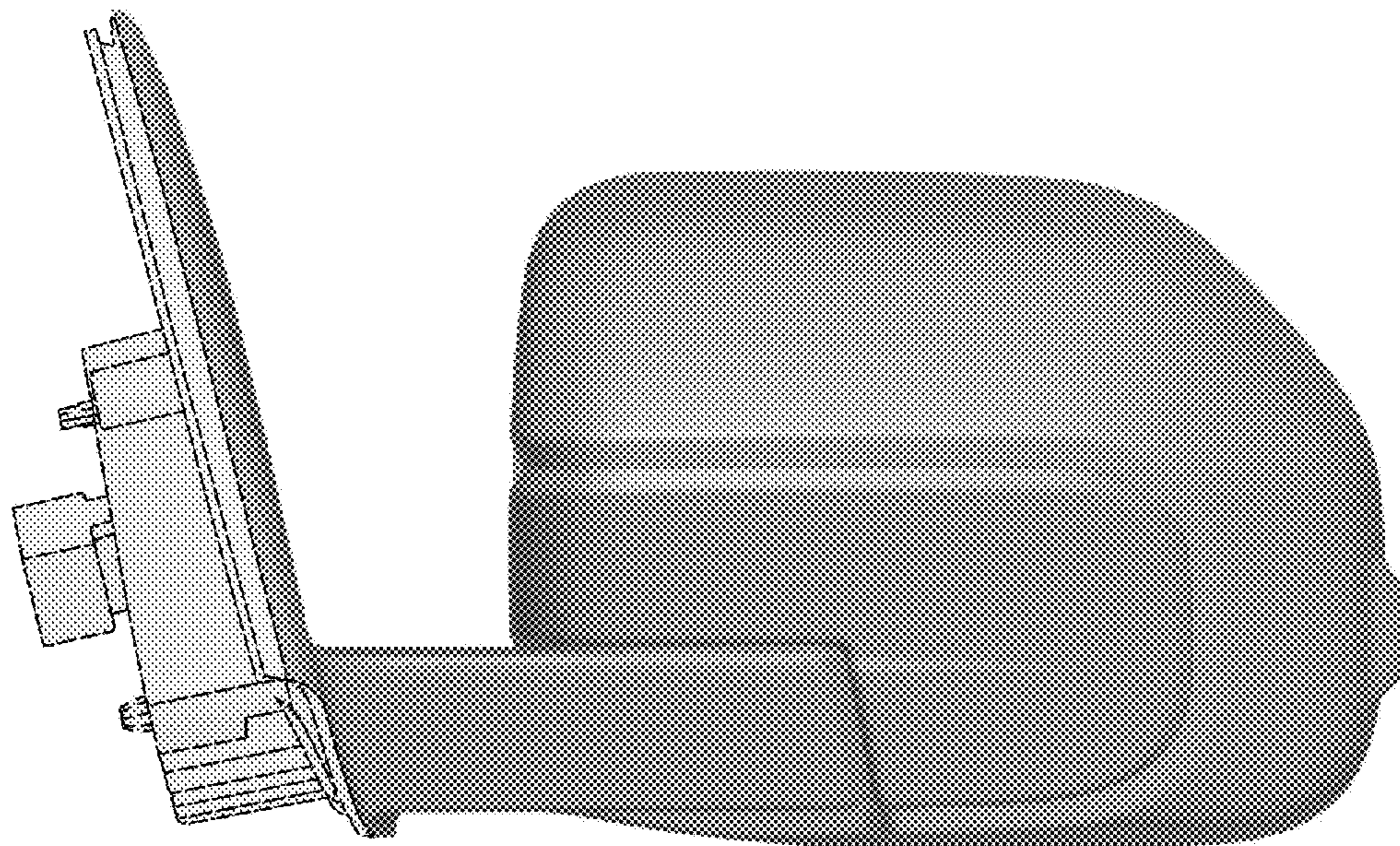
(57) **CLAIM**

The ornamental design for a vehicle mirror, as shown and described.

DESCRIPTION

FIG. 1 is a front elevational view of a vehicle mirror, showing our new design;
FIG. 2 is a rear elevational view thereof;
FIG. 3 is a left side elevational view thereof;
FIG. 4 is a right side elevational view thereof;
FIG. 5 is a top plan view thereof;
FIG. 6 is a bottom plan view thereof;
FIG. 7 is a top, front and left side perspective view thereof; and,
FIG. 8 is a bottom, front and left side perspective view thereof.
The broken lines and the lightened surface shading illustrate portions of the vehicle mirror that form no part of the claimed design.

1 Claim, 8 Drawing Sheets



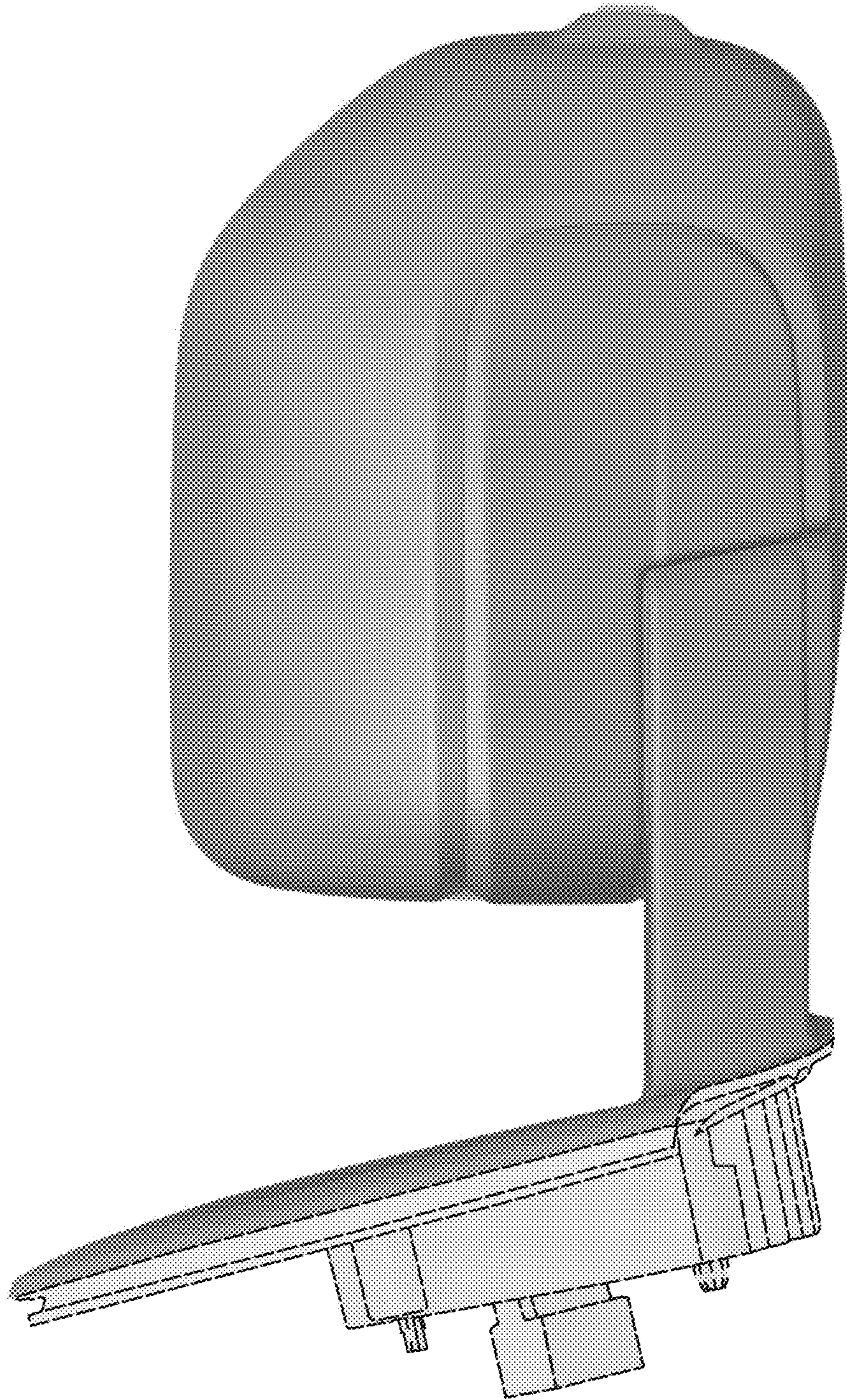


Fig. 1

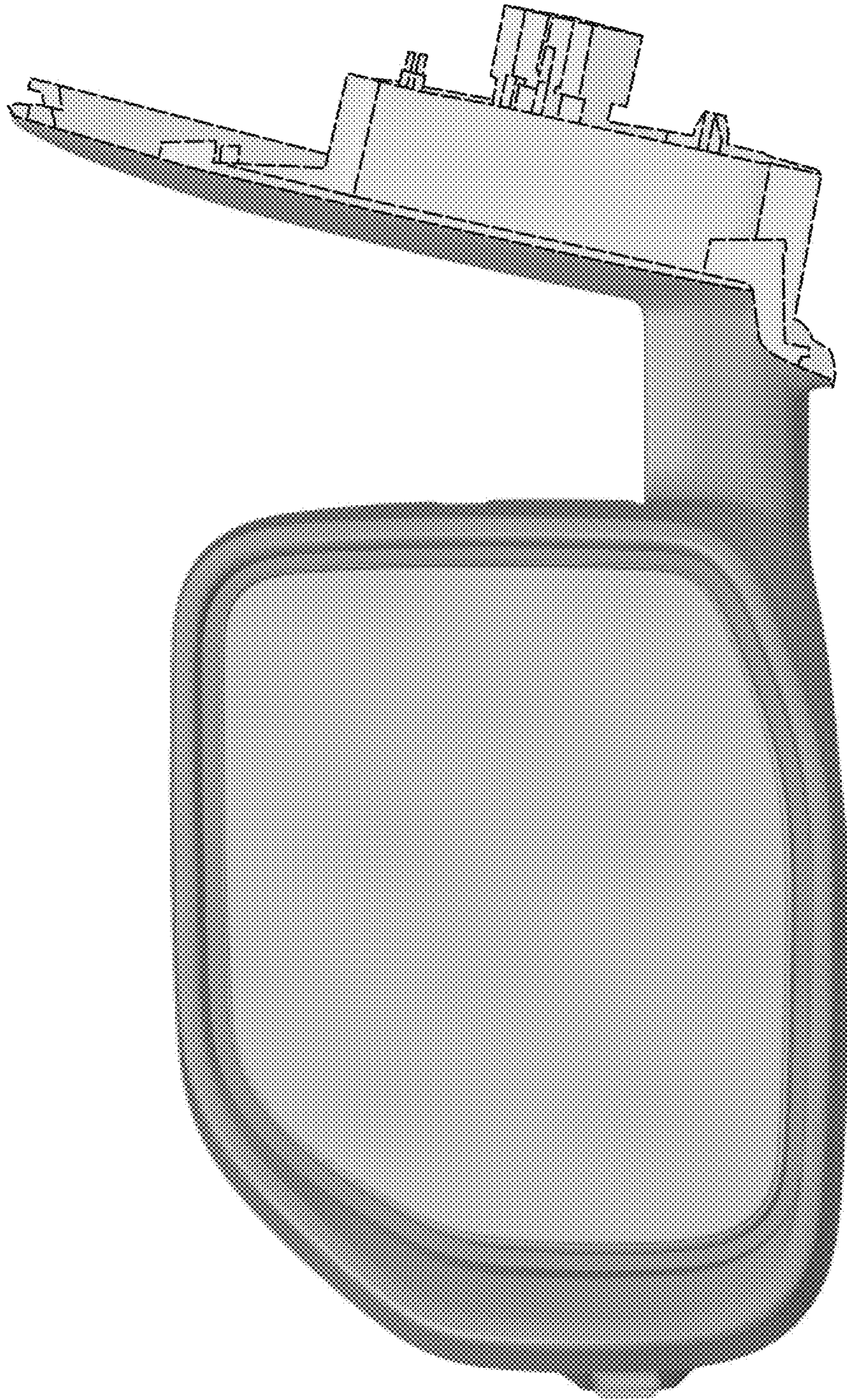


Fig. 2

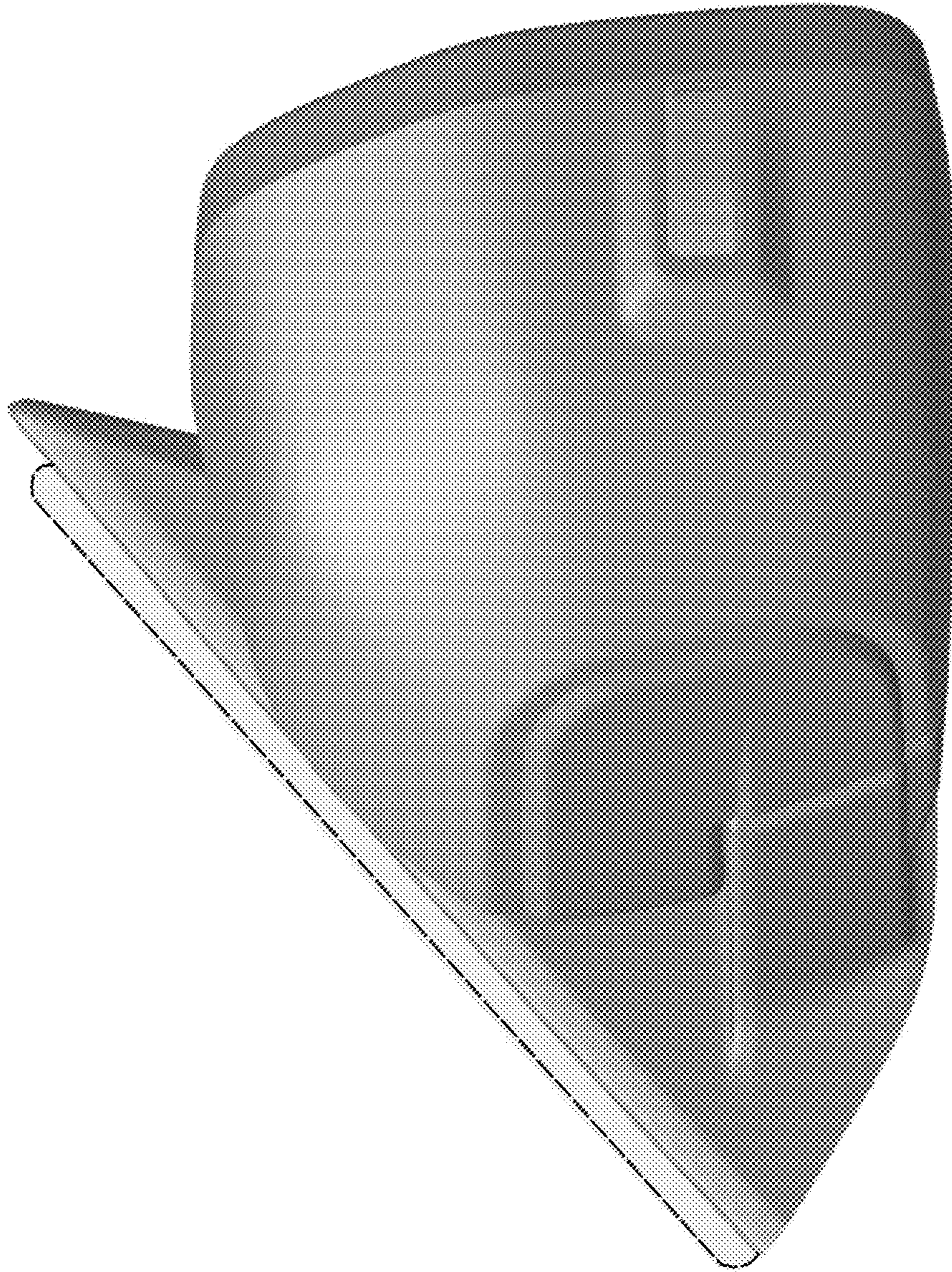


Fig. 3

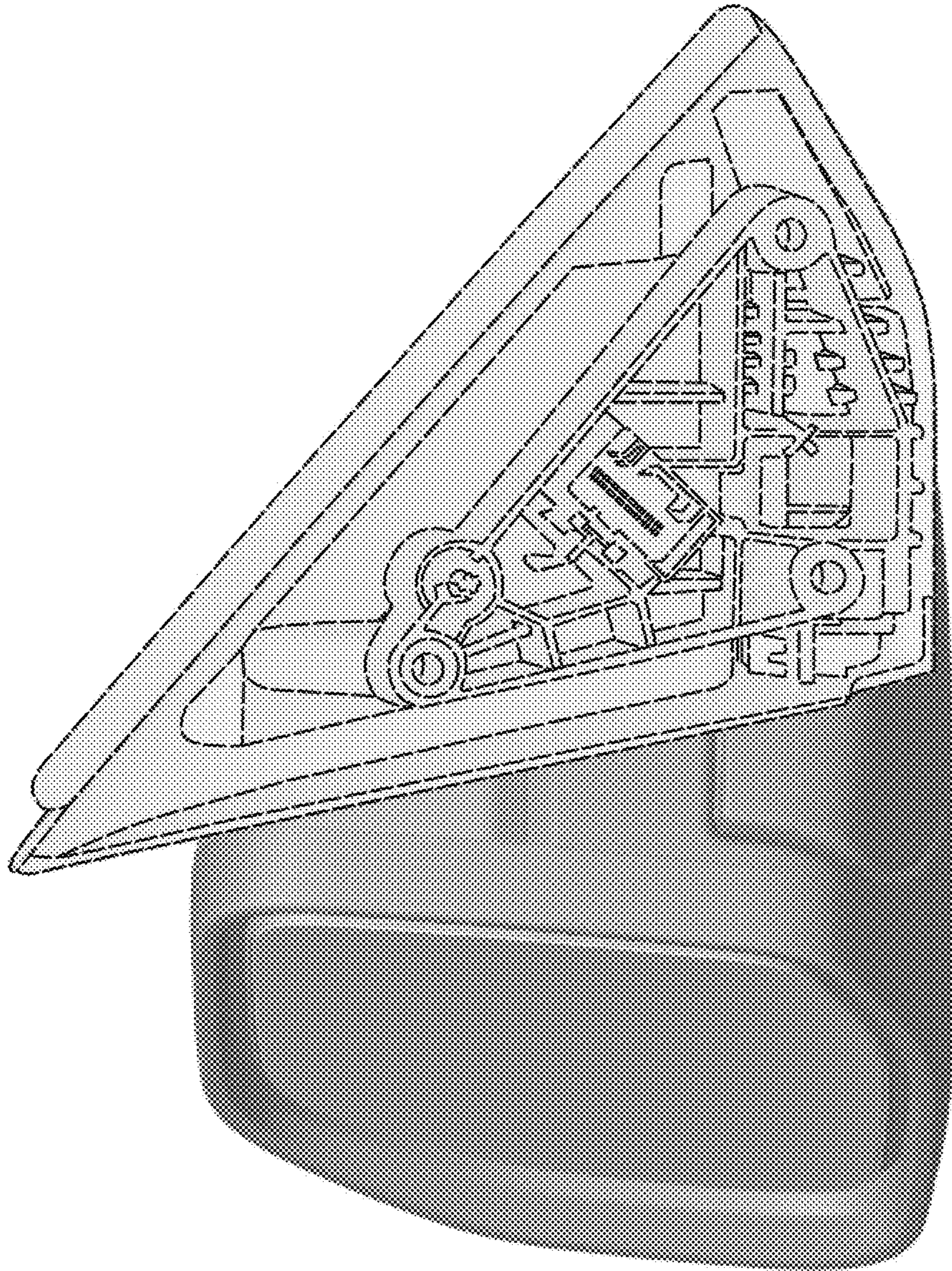


Fig. 4

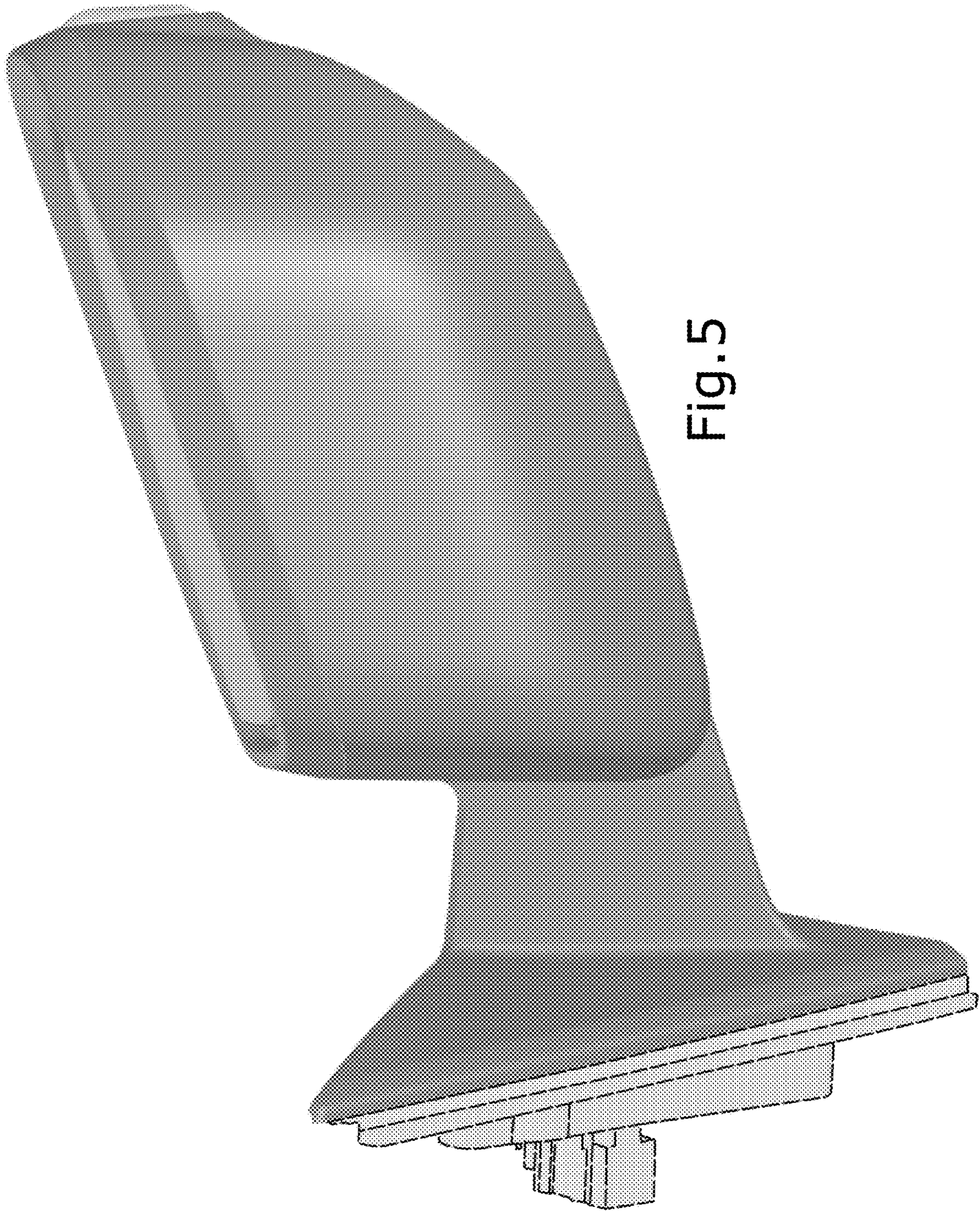
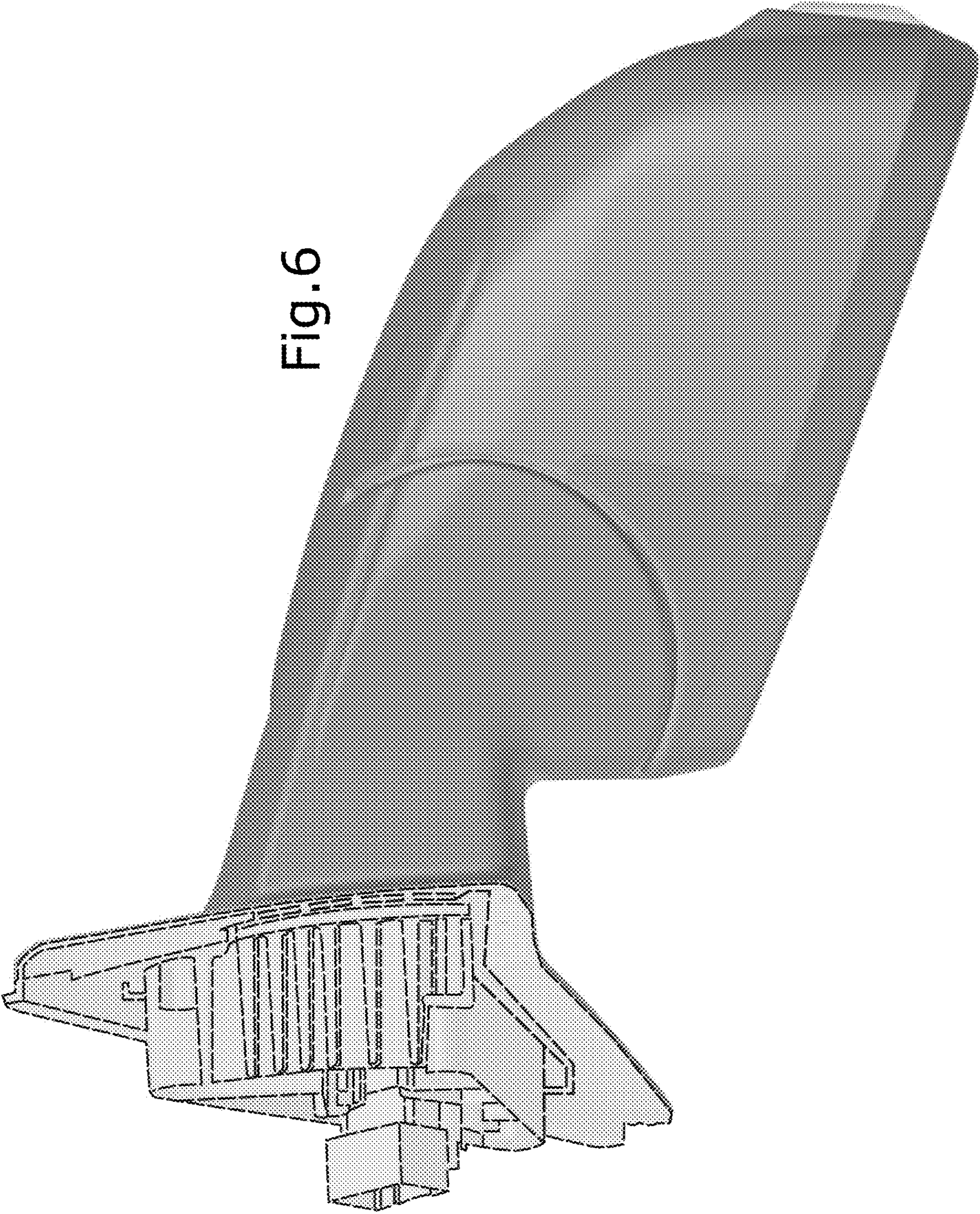


Fig. 6



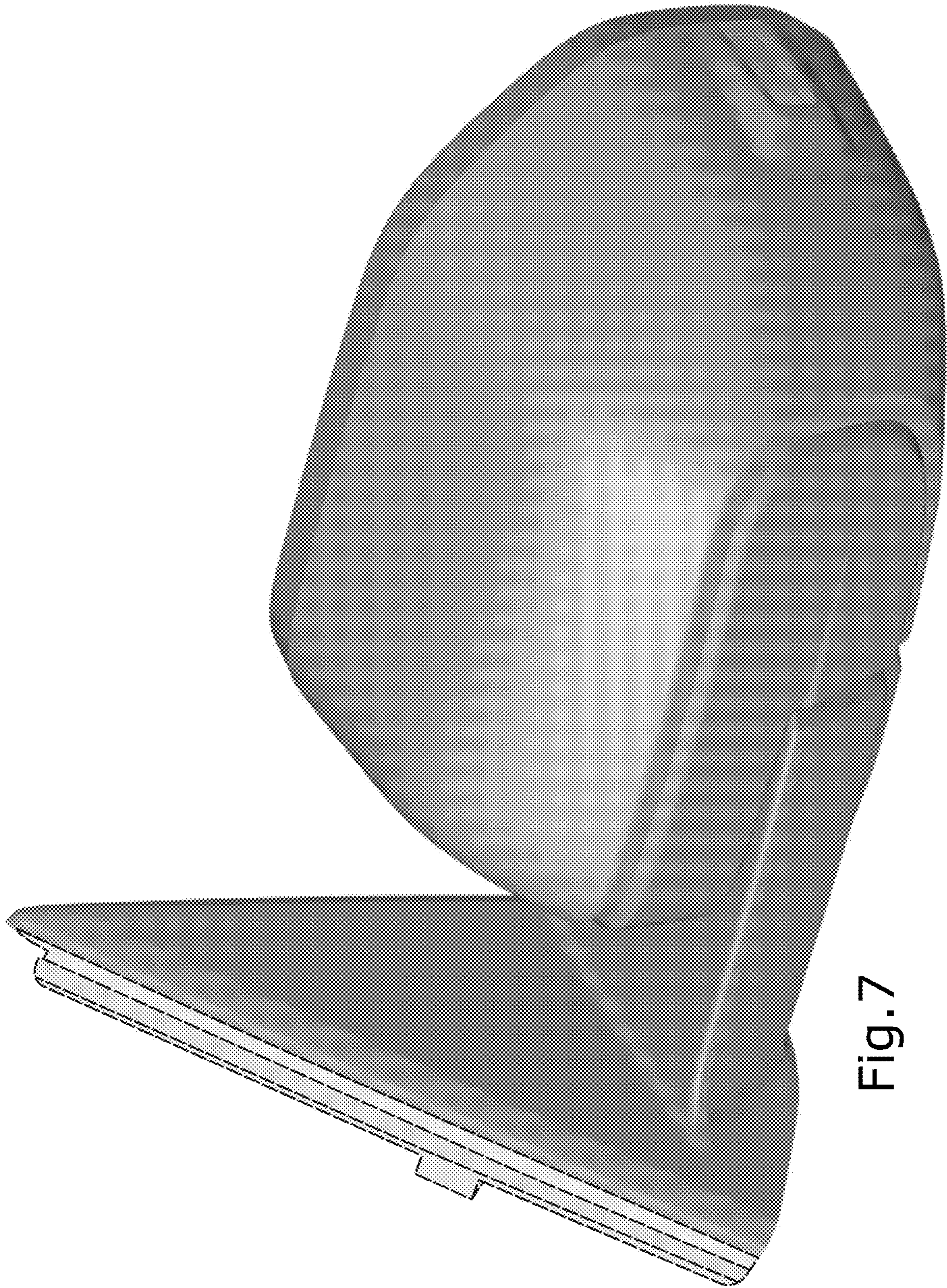


Fig. 7

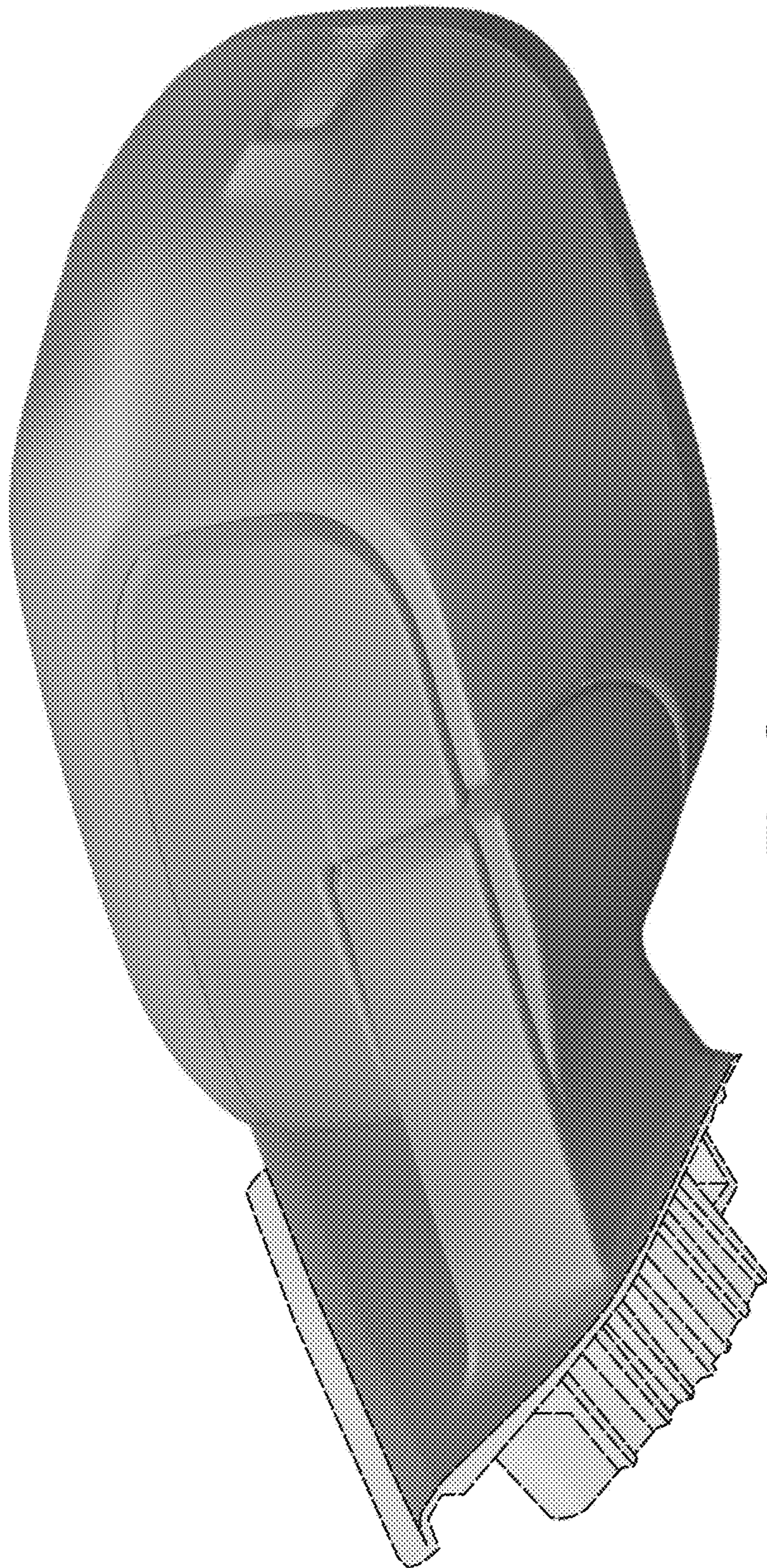


Fig. 8