



US00D913880S

(12) **United States Design Patent**  
**Hilliard et al.**

(10) **Patent No.:** **US D913,880 S**

(45) **Date of Patent:** **\*\* Mar. 23, 2021**

(54) **VEHICLE MIRROR**

D880,385 S \* 4/2020 Gillam ..... D12/187  
D881,094 S \* 4/2020 Dewitt ..... D12/187  
D886,015 S \* 6/2020 Kim ..... D12/187

(71) Applicant: **Ford Global Technologies, LLC,**  
Dearborn, MI (US)

(72) Inventors: **Heath W. Hilliard,** Detroit, MI (US);  
**Dong H. Park,** Canton, MI (US);  
**Brian S. Paik,** Los Angeles, CA (US);  
**Paul J. Wraith,** West Bloomfield, MI (US)

(73) Assignee: **Ford Global Technologies, LLC,**  
Dearborn, MI (US)

(\*\*) Term: **15 Years**

(21) Appl. No.: **29/700,455**

(22) Filed: **Aug. 2, 2019**

(51) **LOC (13) Cl.** ..... **12-16**

(52) **U.S. Cl.**  
USPC ..... **D12/187**

(58) **Field of Classification Search**  
USPC ..... D12/187, 188, 189; D6/300, 309  
CPC ..... B60R 1/076; B60R 1/074; B60R 1/078;  
B60R 1/08; B60R 1/081; B60R 1/082;  
G02B 7/18; G02B 7/182; G02B 5/08  
See application file for complete search history.

(56) **References Cited**

U.S. PATENT DOCUMENTS

D713,769 S \* 9/2014 Knothe ..... D12/187  
D716,206 S \* 10/2014 Thole ..... D12/187  
D802,502 S \* 11/2017 McMahan ..... D12/187  
D804,379 S \* 12/2017 McMahan ..... D12/187  
D807,263 S \* 1/2018 Piscitelli ..... D12/187  
D809,442 S \* 2/2018 Zipfel ..... D12/187  
D839,157 S \* 1/2019 Smith ..... D12/187  
D851,002 S \* 6/2019 Kozub ..... D12/187  
D865,598 S \* 11/2019 Grand ..... D12/187

OTHER PUBLICATIONS

Michael Martinez, Ford's 2020 Baby Bronco off-roader emerges in photos from dealer meeting, <http://www.automews.com/article/20181113/OEM04/181119911/ford-baby-bronco-photos-leaked> Nov 13, 2018.

\* cited by examiner

*Primary Examiner* — Susan E Krakower  
*Assistant Examiner* — Jerry Shiuan-Hua Hsu

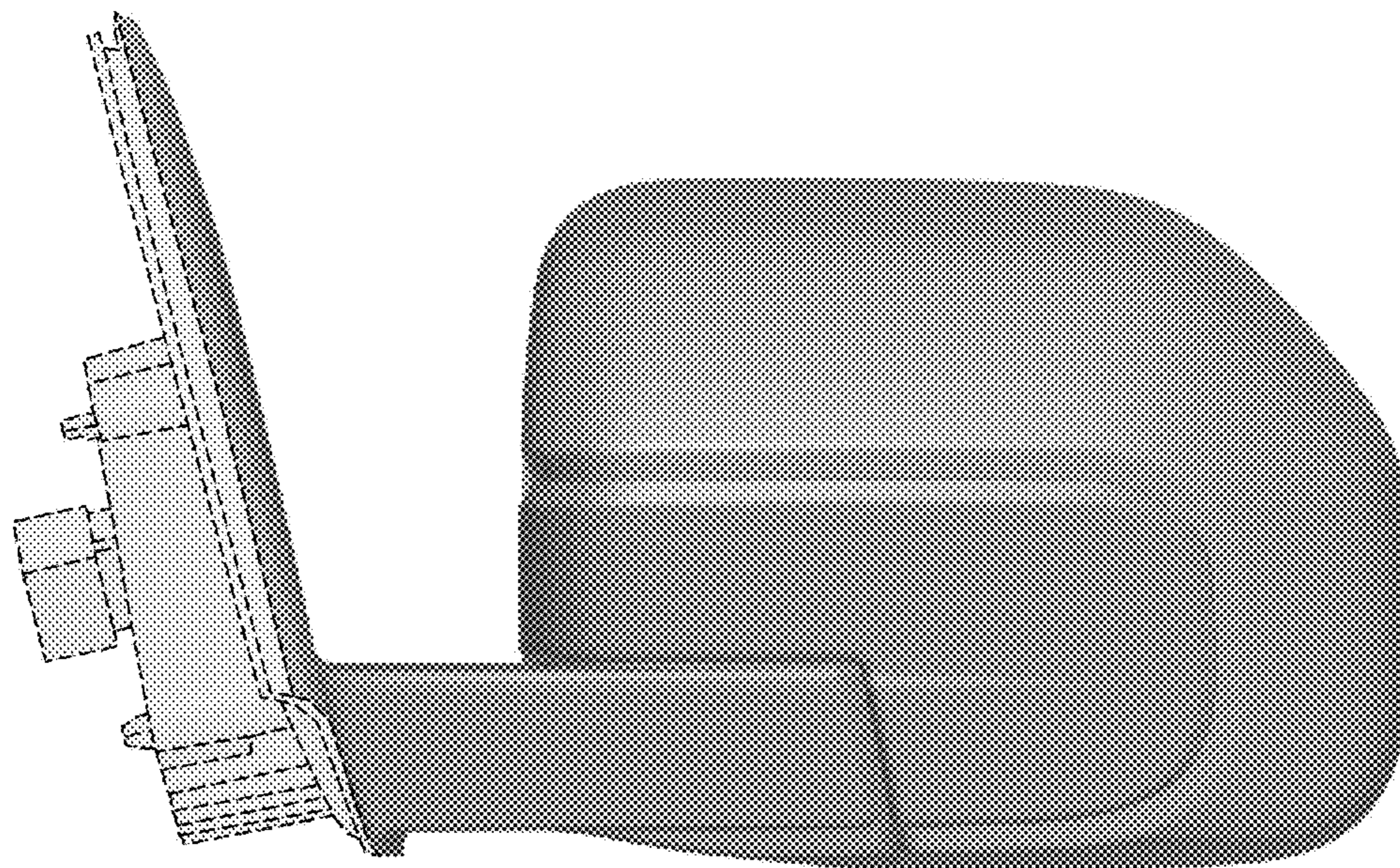
(57) **CLAIM**

The ornamental design for a vehicle mirror, as shown and described.

**DESCRIPTION**

FIG. 1 is a front elevational view of a vehicle mirror, showing our new design;  
FIG. 2 is a rear elevational view thereof;  
FIG. 3 is a left side elevational view thereof;  
FIG. 4 is a right side elevational view thereof;  
FIG. 5 is a top plan view thereof;  
FIG. 6 is a bottom plan view thereof;  
FIG. 7 is a top, front and left side perspective view thereof; and,  
FIG. 8 is a bottom, front and left side perspective view thereof.  
The broken lines and the lightened surface shading illustrate portions of the vehicle mirror that form no part of the claimed design.

**1 Claim, 8 Drawing Sheets**



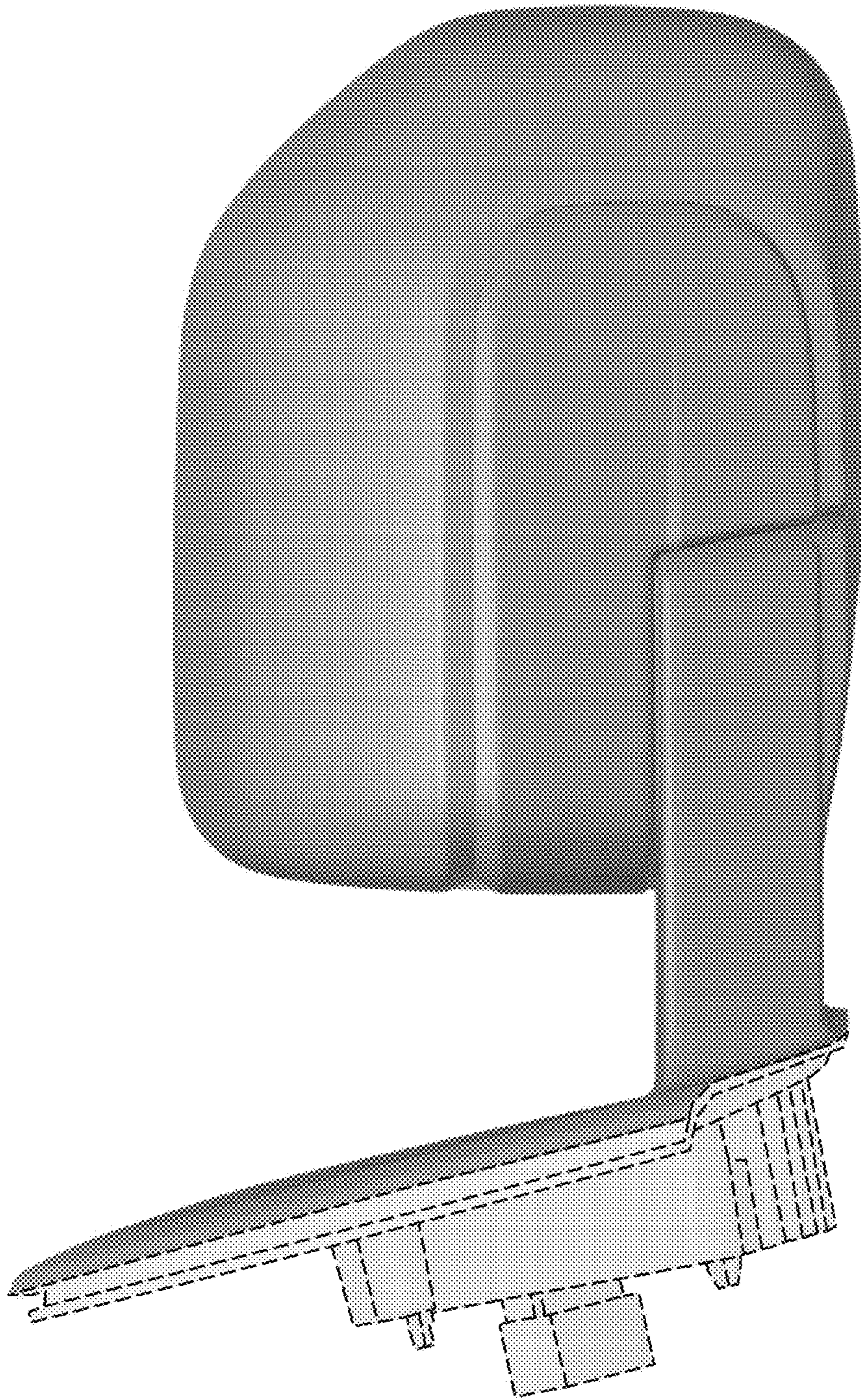


Fig.1

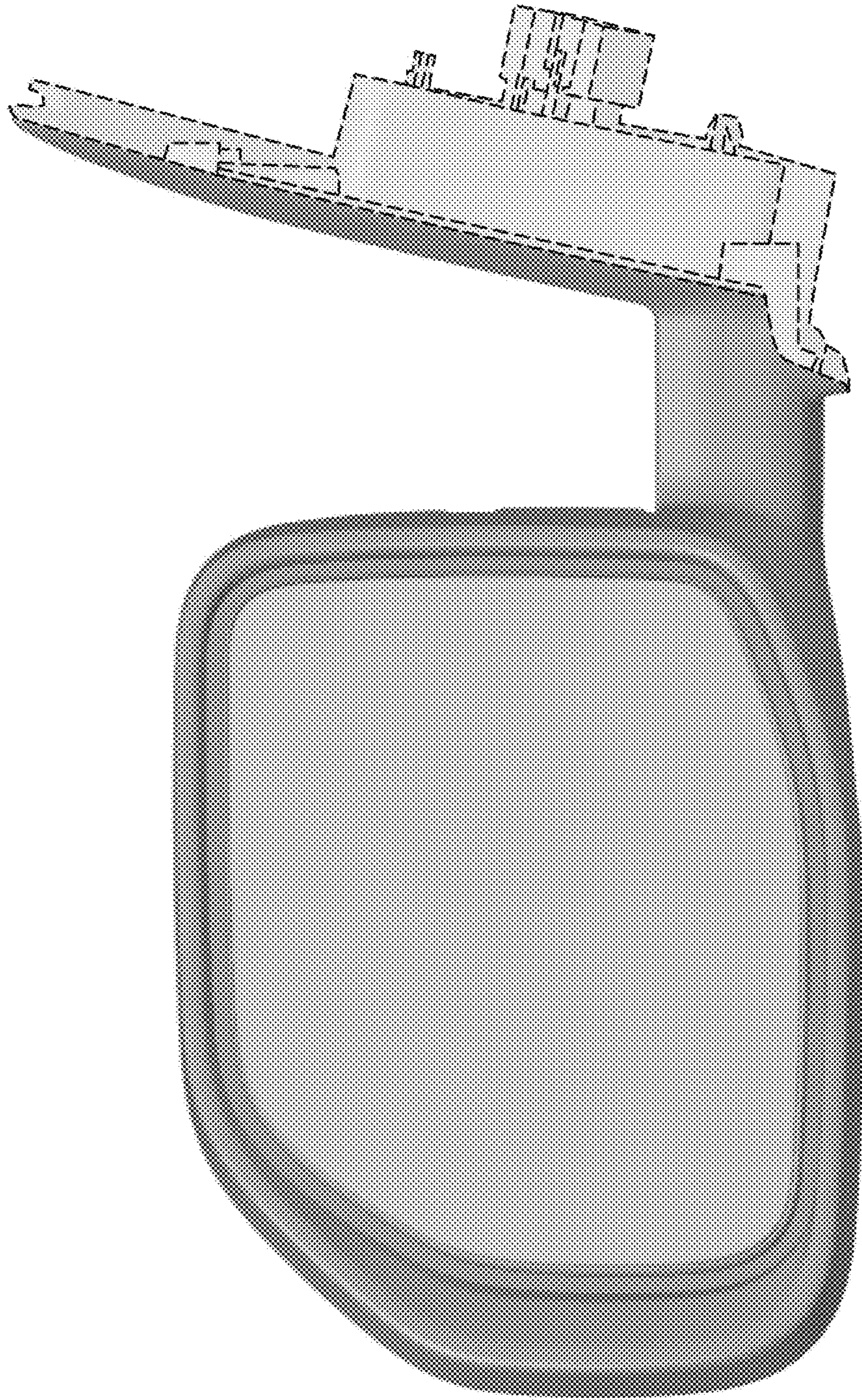


Fig. 2

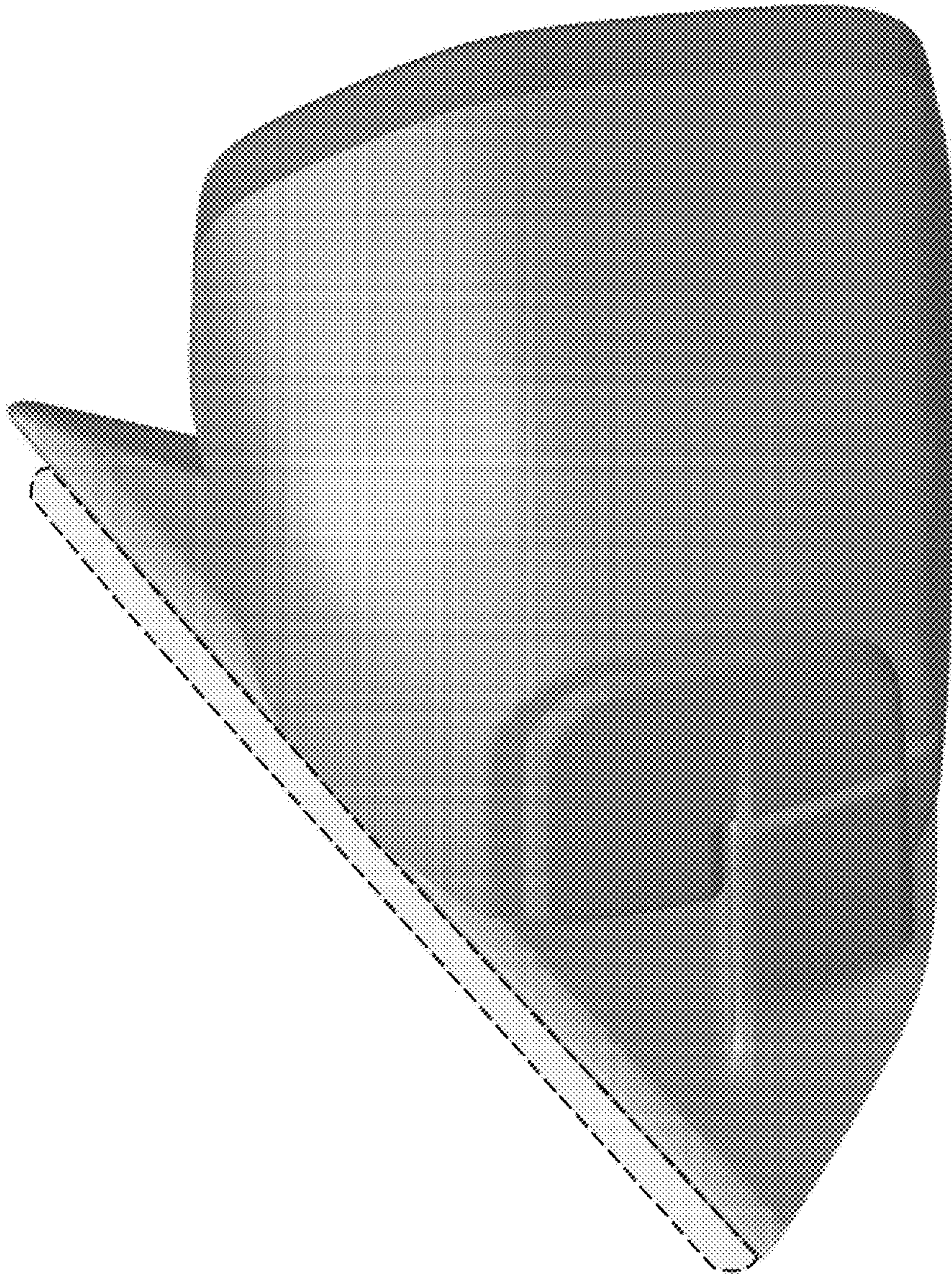


Fig.3

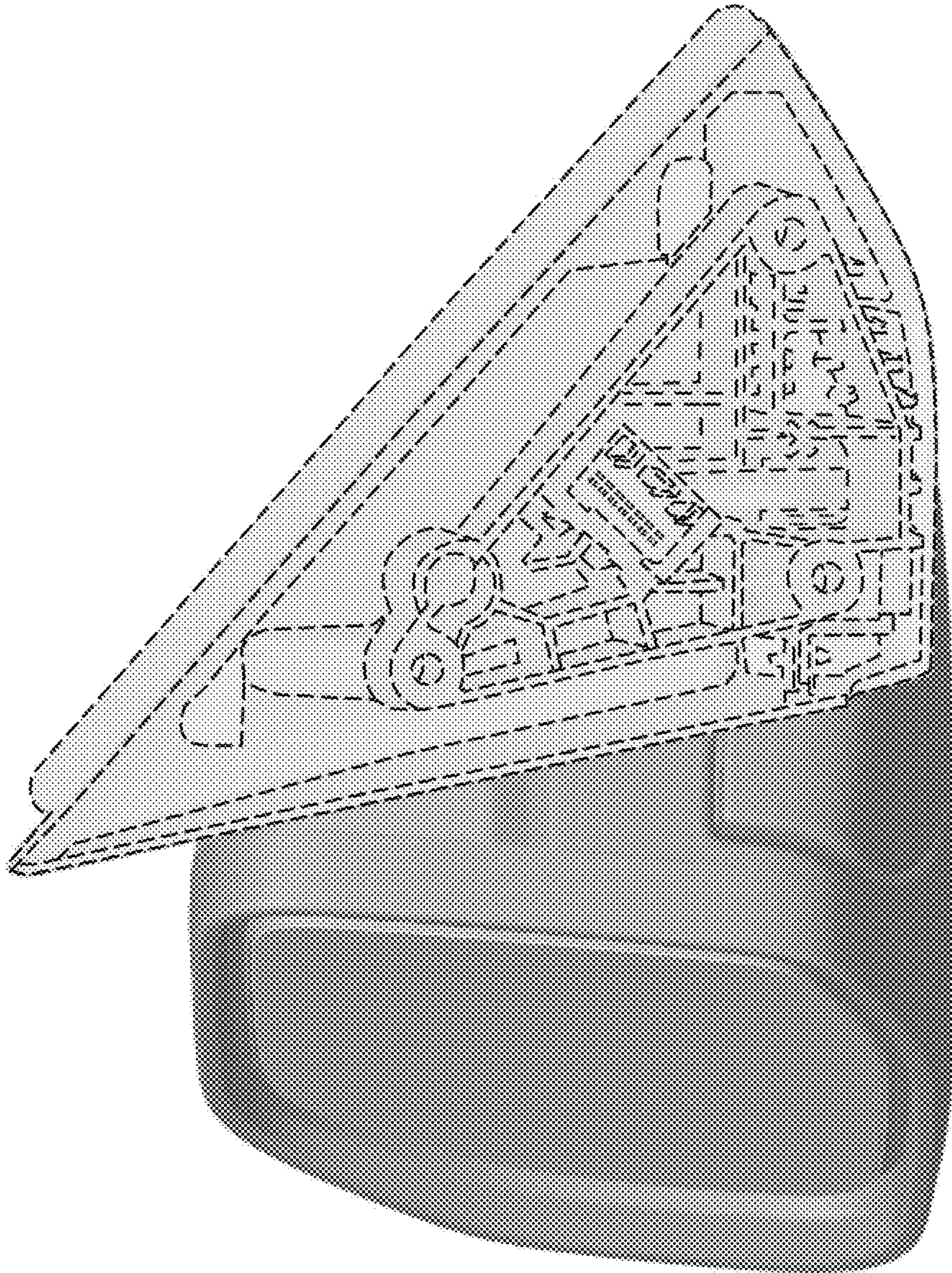


Fig.4

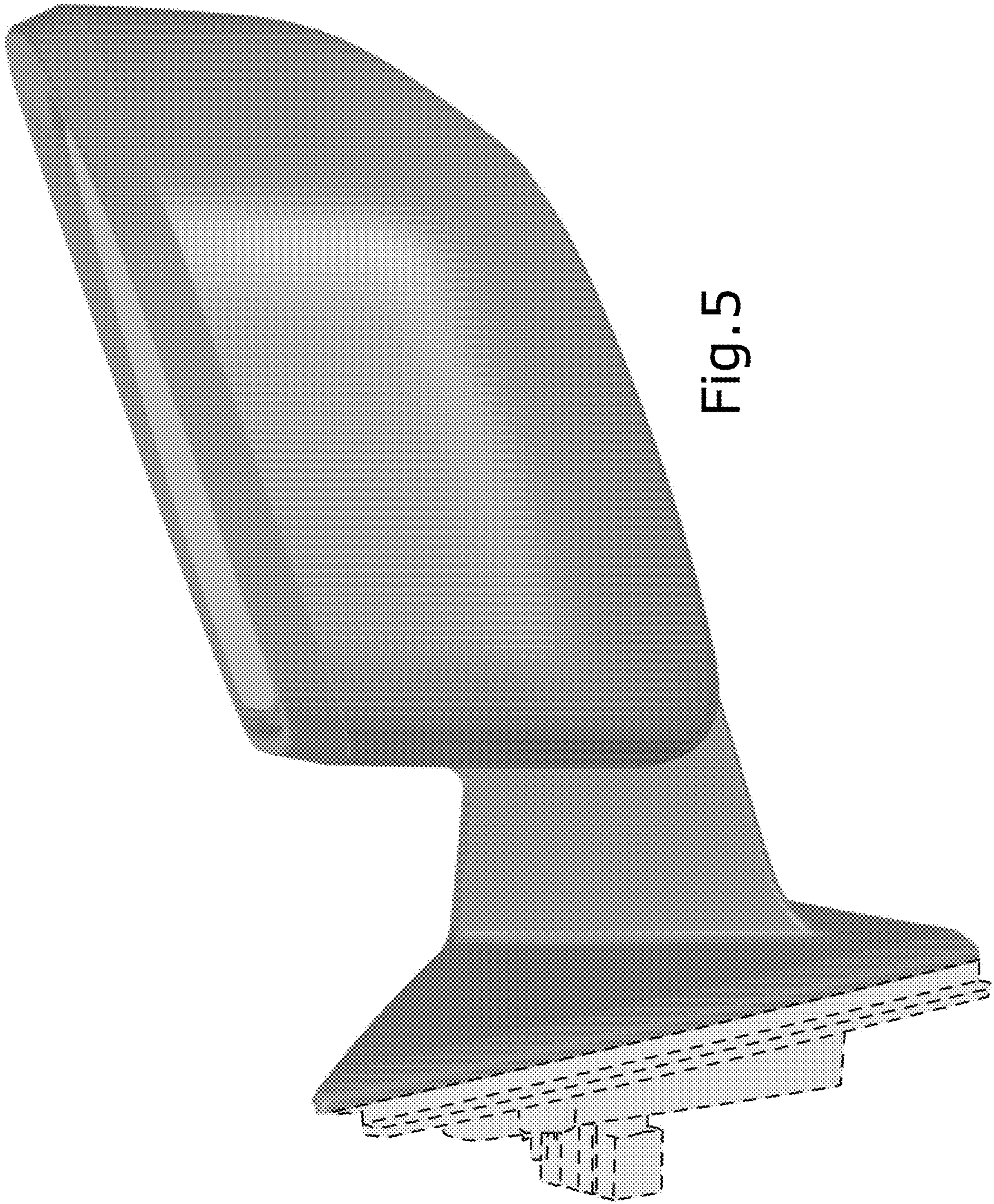


Fig. 5

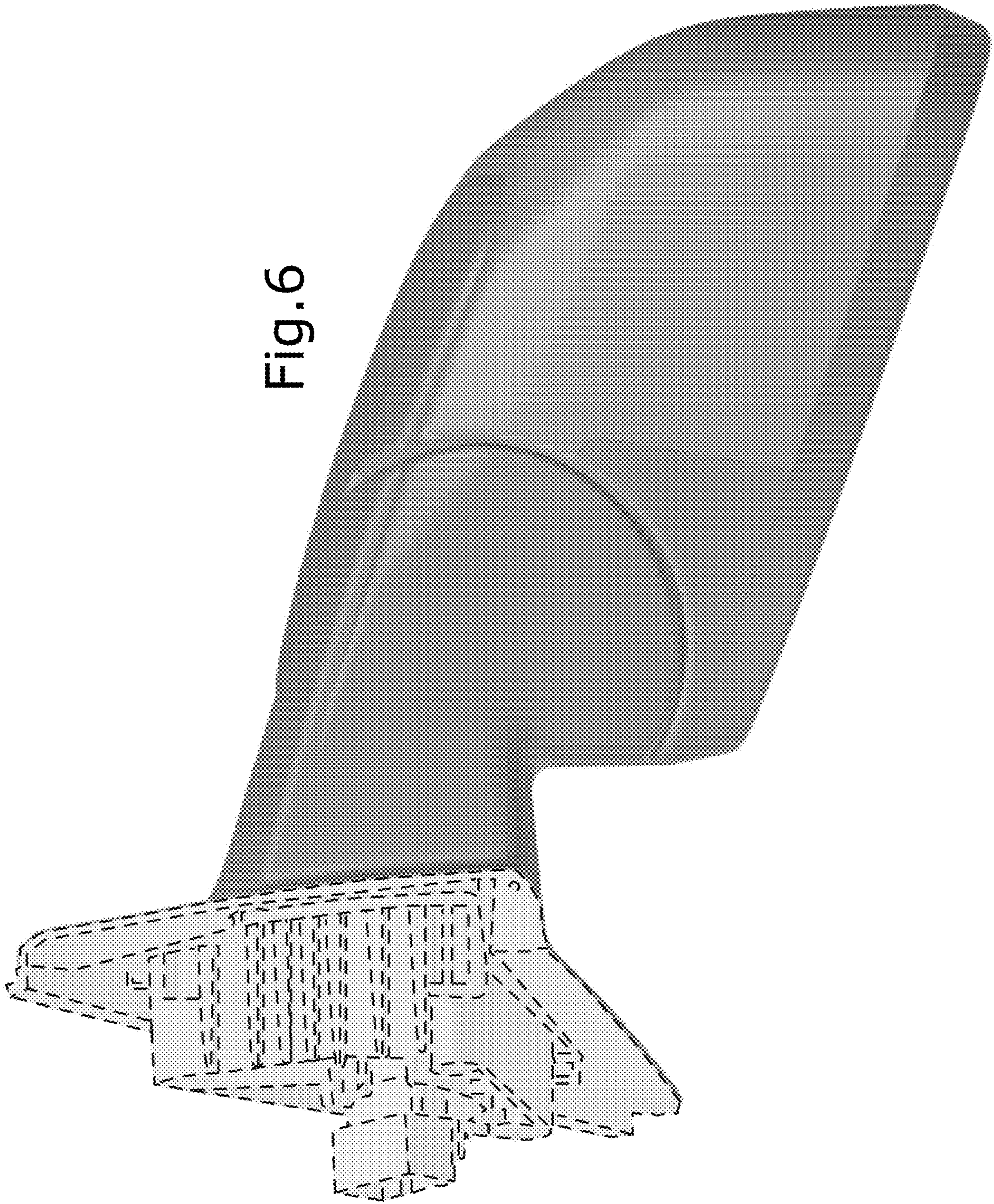


Fig. 6

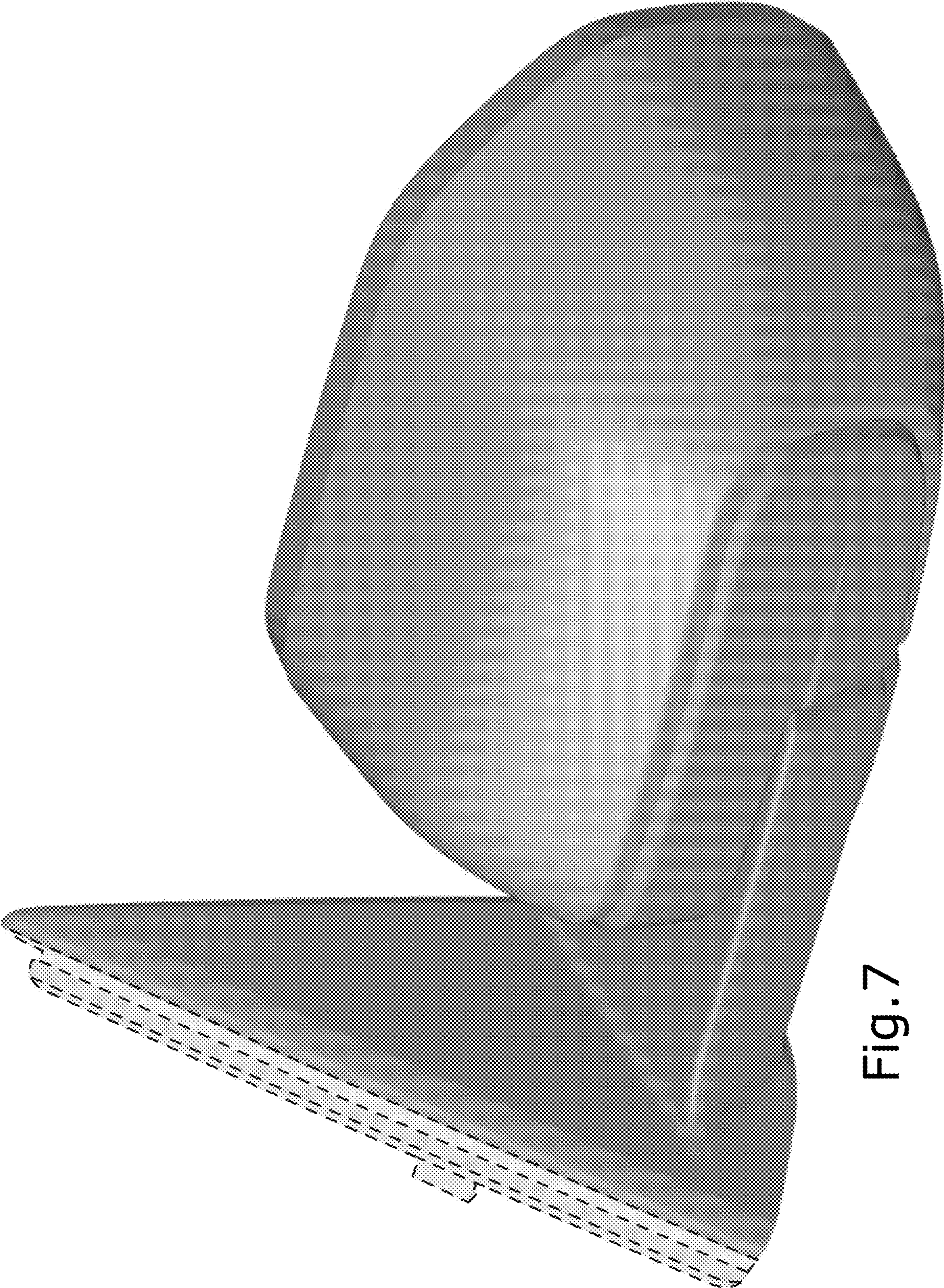


Fig. 7



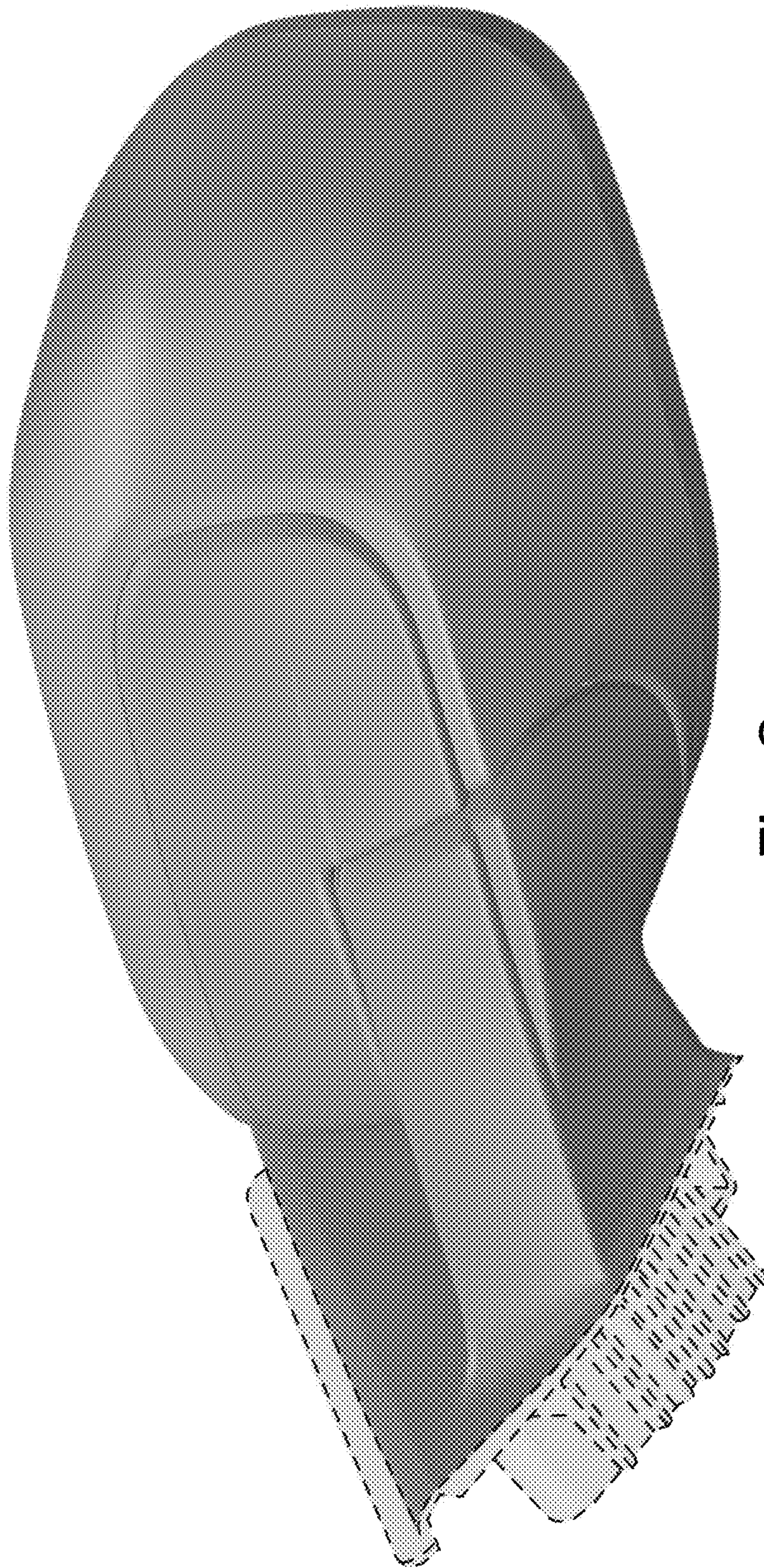


Fig. 8