



US00D913879S

(12) **United States Design Patent**
Tan

(10) **Patent No.:** **US D913,879 S**

(45) **Date of Patent:** **** Mar. 23, 2021**

(54) **CAR SUNSHADE CURTAIN**

(71) Applicant: **NINGBO LIYANG NEW MATERIAL COMPANY LIMITED**,
Ningbo (CN)

(72) Inventor: **Baowen Tan**, Ningbo (CN)

(**) Term: **15 Years**

(21) Appl. No.: **29/730,810**

(22) Filed: **Apr. 8, 2020**

(51) **LOC (13) Cl.** **12-16**

(52) **U.S. Cl.**
USPC **D12/183**

(58) **Field of Classification Search**
USPC D12/183, 190, 191
CPC B60J 3/02; B60J 3/0208; B60J 1/20; B60J
1/2005; B60J 1/2002; B60J 3/0204
See application file for complete search history.

(56) **References Cited**

U.S. PATENT DOCUMENTS

D756,868 S *	5/2016	Shu	D12/183
D776,028 S *	1/2017	Martinez	D12/183
D778,794 S *	2/2017	Bouie	D12/183
D792,821 S *	7/2017	Greger	D12/183
D797,622 S *	9/2017	Taylor	D12/183
D801,244 S *	10/2017	Shu	D12/183
D813,767 S *	3/2018	Mulokandov	D12/183

D828,253 S *	9/2018	Mao	D12/183
D852,098 S *	6/2019	Hu	D12/183
D879,689 S *	3/2020	Holt	D12/183
D886,696 S *	6/2020	Holt	D12/183
D904,949 S *	12/2020	Rago	D12/183

* cited by examiner

Primary Examiner — Katrina A Betton

(74) *Attorney, Agent, or Firm* — W&K IP

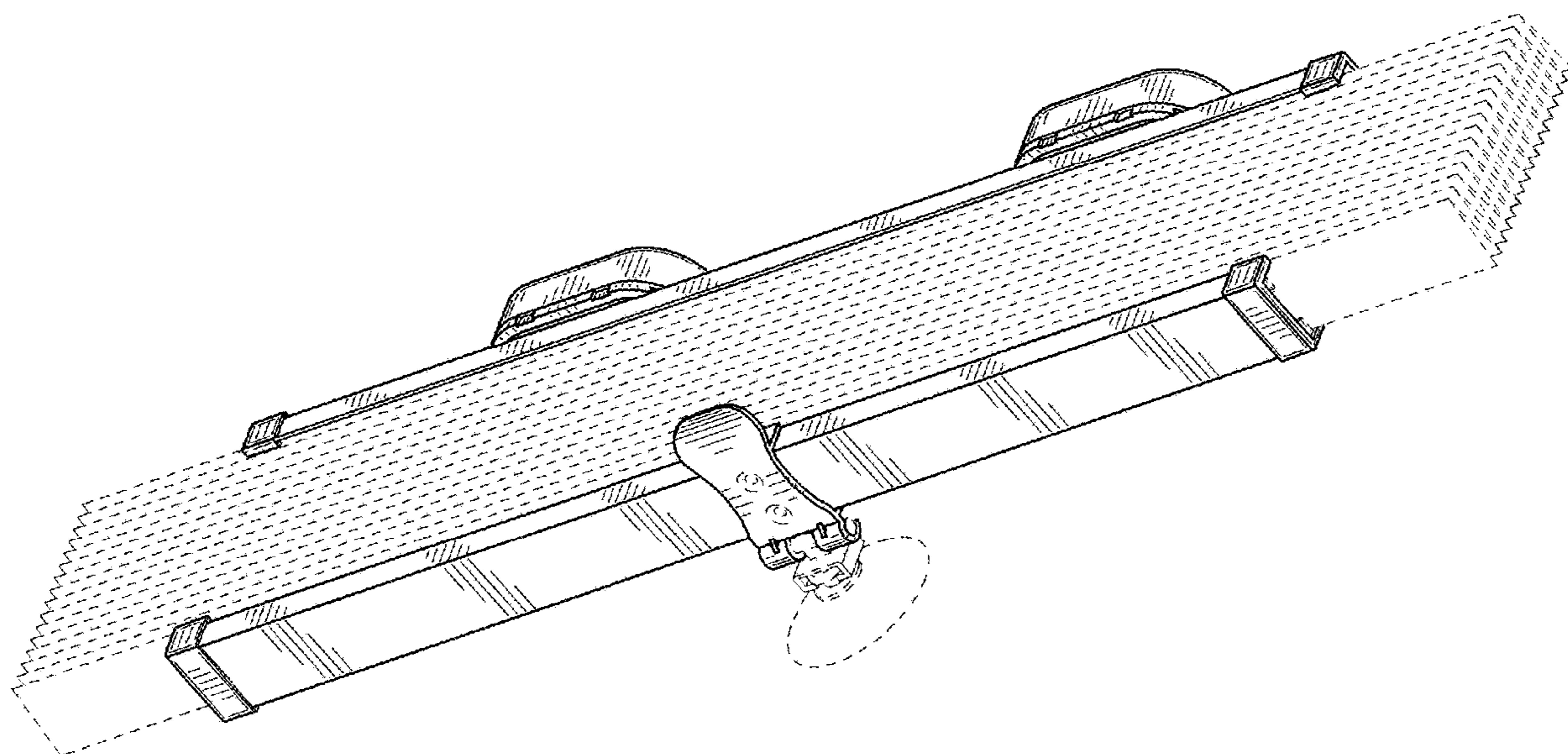
(57) **CLAIM**

The ornamental design for a car sunshade curtain, as shown and described.

DESCRIPTION

FIG. 1 is a perspective view of a car sunshade curtain, showing my new design;
FIG. 2 is a front elevational view thereof;
FIG. 3 is a rear elevational view thereof;
FIG. 4 is a left elevational view thereof;
FIG. 5 is a right elevational view thereof;
FIG. 6 is a top plan view thereof;
FIG. 7 is a bottom plan view thereof; and,
FIG. 8 is another perspective view thereof.
The evenly broken lines where present illustrate portions of the car sunshade curtain that form no part of the claimed design.

1 Claim, 8 Drawing Sheets



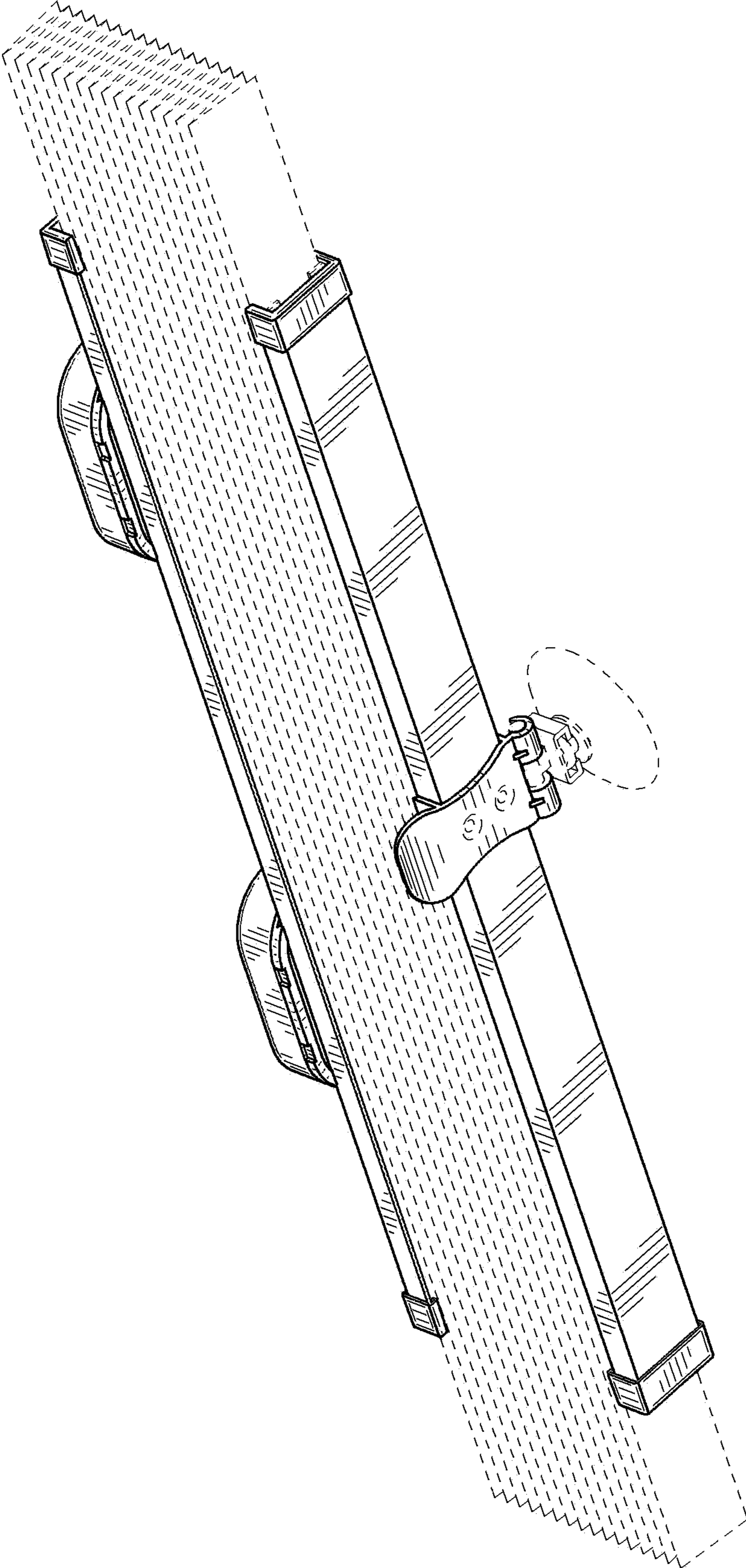


FIG. 1

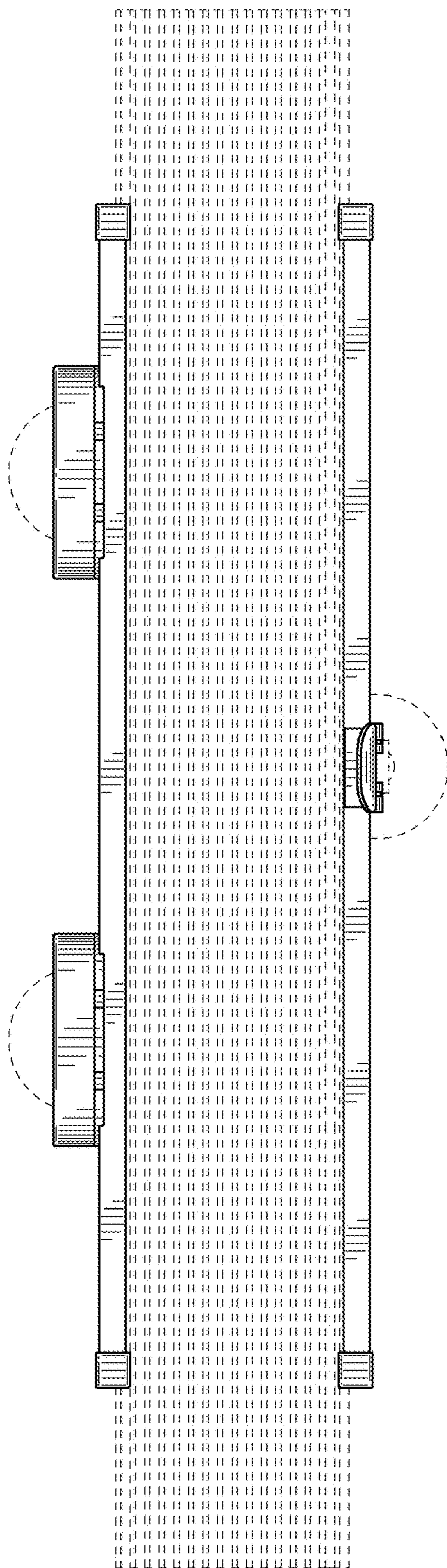


FIG. 2

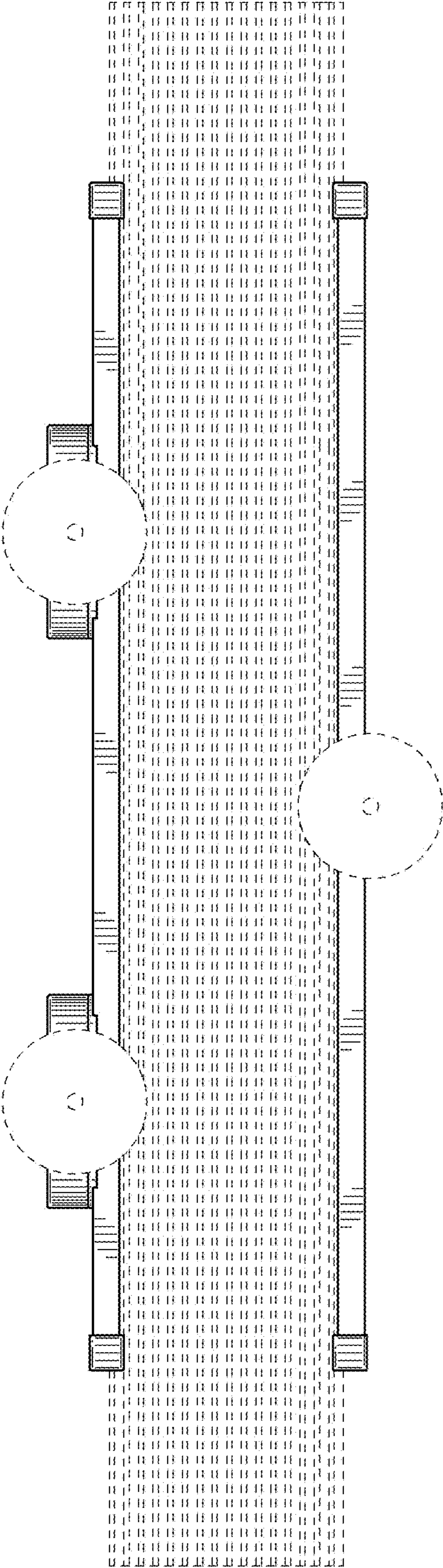


FIG. 3

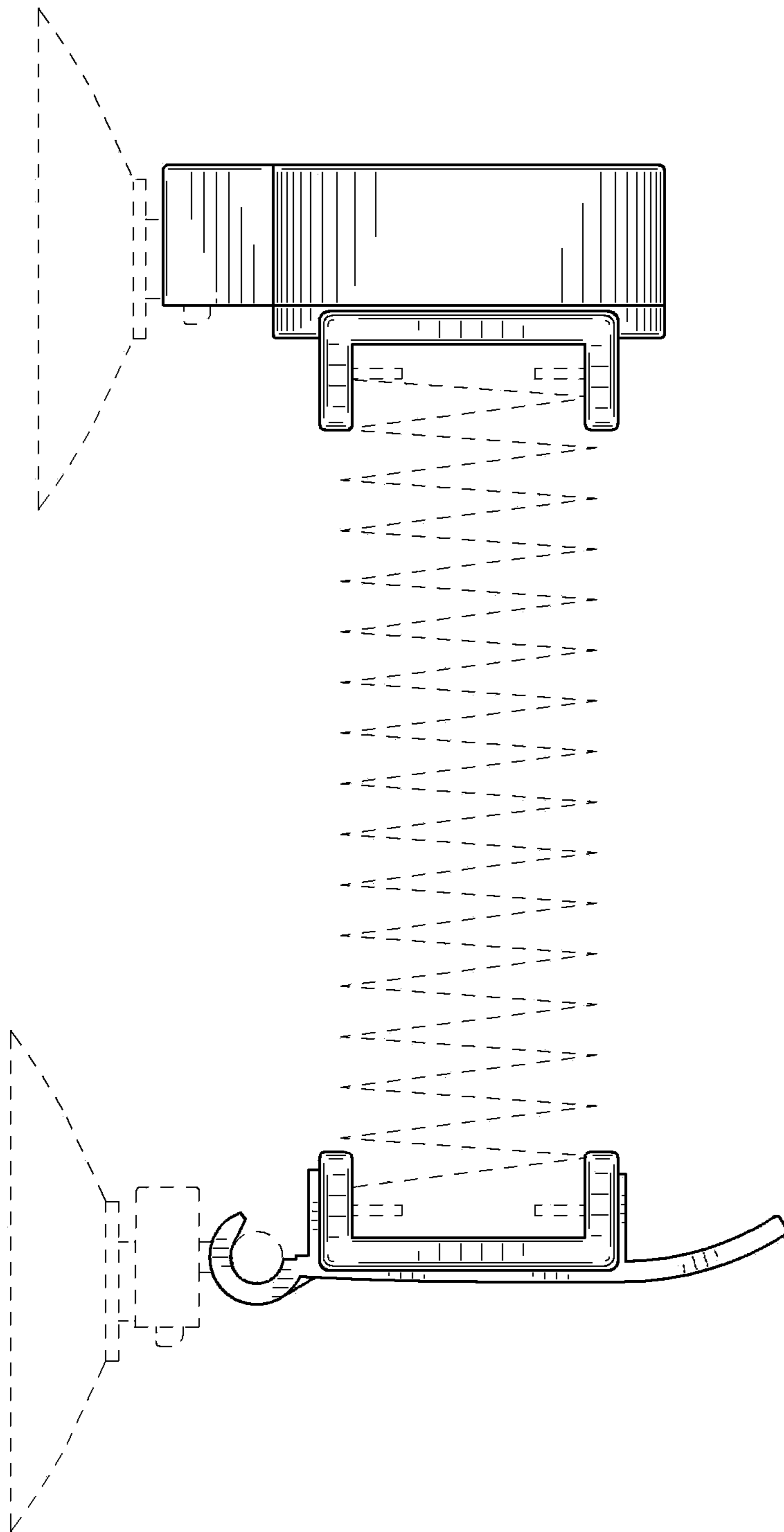


FIG. 4

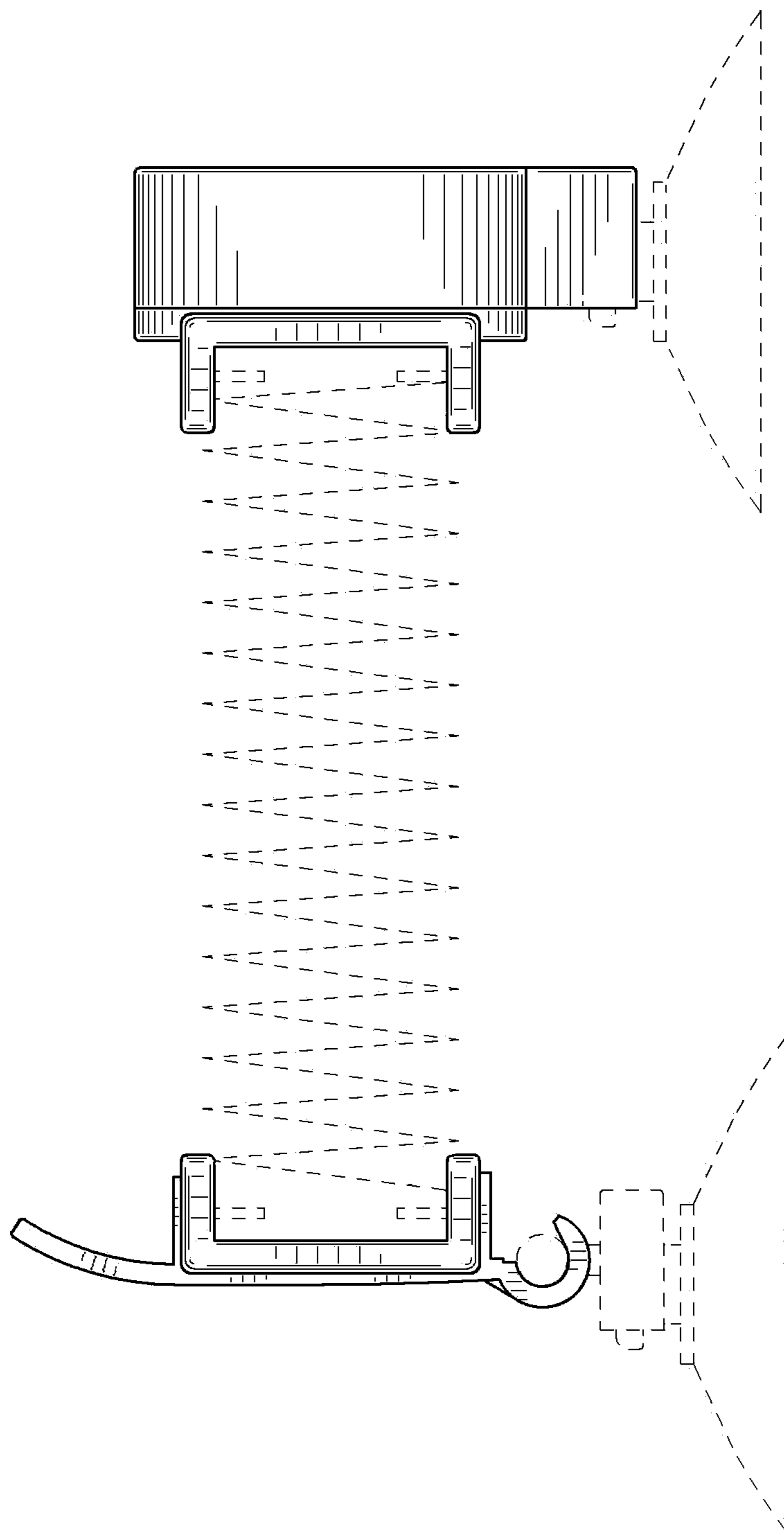


FIG. 5

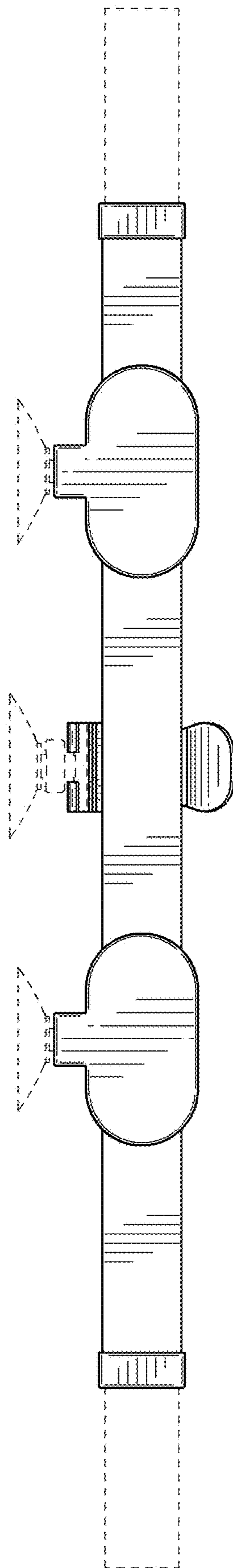


FIG. 6

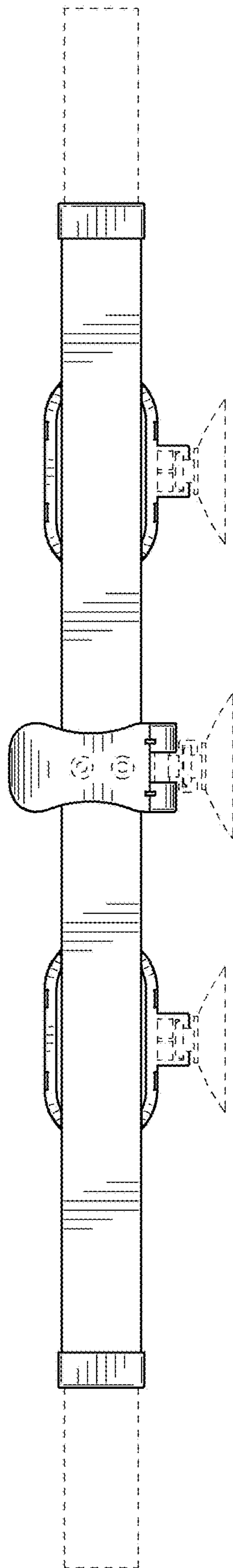


FIG. 7

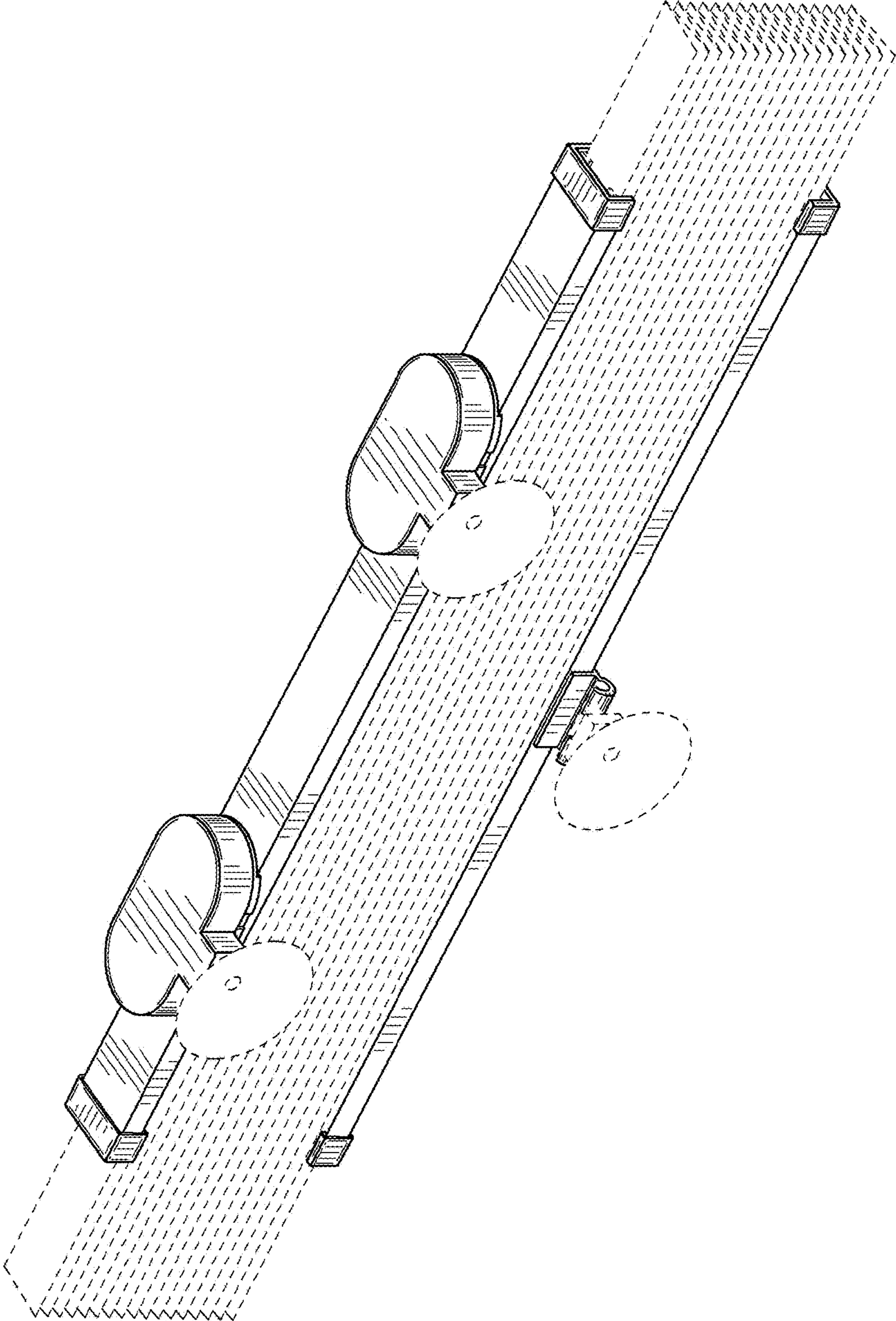


FIG. 8