



US00D913878S

(12) **United States Design Patent**
Kermani

(10) **Patent No.:** **US D913,878 S**
(45) **Date of Patent:** **** Mar. 23, 2021**

(54) **DRIFTING KART**

(71) Applicant: **Ali Kermani**, Huntington Beach, CA
(US)

(72) Inventor: **Ali Kermani**, Huntington Beach, CA
(US)

(**) Term: **15 Years**

(21) Appl. No.: **29/698,467**

(22) Filed: **Jul. 17, 2019**

D190,024 S 4/1961 Rouse
3,053,550 A 9/1962 Joachim et al.
3,099,326 A 7/1963 Weigel et al.
3,125,177 A 3/1964 Paller
3,512,599 A 5/1970 Hott et al.
3,533,484 A 10/1970 Wood, Jr.

(Continued)

FOREIGN PATENT DOCUMENTS

CN 2198169 Y 5/1995
CN 1569548 A 1/2005

(Continued)

OTHER PUBLICATIONS

Razor USA: "Crazy Kart", Jul. 21, 2016 (Jul. 21, 2016), Retrieved from the Internet: URL: https://www.razor.com/wp-content/uploads/2018/02/CrazyCartshift_MAN_US_160721-1.pdf [retrieved on Mar. 3, 2020].

(Continued)

Primary Examiner — Darlington Ly

(74) *Attorney, Agent, or Firm* — Knobbe Martens Olson & Bear, LLP

(57)

CLAIM

The ornamental design for a drifting kart, as shown and described.

DESCRIPTION

FIG. 1 is a top, front, and left side perspective view of a drifting kart embodying my new design;
FIG. 2 is a right side elevation view thereof;
FIG. 3 is a front elevation view thereof;
FIG. 4 is a rear elevation view thereof;
FIG. 5 is a top plan view thereof; and,
FIG. 6 is a bottom plan view thereof.

The broken lines in the drawings illustrate portions of the drifting kart that form no part of the claimed design.

1 Claim, 6 Drawing Sheets

Related U.S. Application Data

(63) Continuation of application No. 29/604,471, filed on May 17, 2017, now Pat. No. Des. 854,457, which is a continuation of application No. 29/571,286, filed on Jul. 15, 2016, now Pat. No. Des. 787,379, which is a continuation of application No. 29/488,366, filed on Apr. 17, 2014, now Pat. No. Des. 761,700, which is a continuation of application No. 13/745,648, filed on Jan. 18, 2013, now Pat. No. 8,875,831, which is a continuation of application No. 12/888,672, filed on Sep. 23, 2010, now Pat. No. 8,356,686, which is a continuation of application No. 12/505,955, filed on Jul. 20, 2009, now Pat. No. 7,823,675.

(51) **LOC (13) Cl.** **12-16**

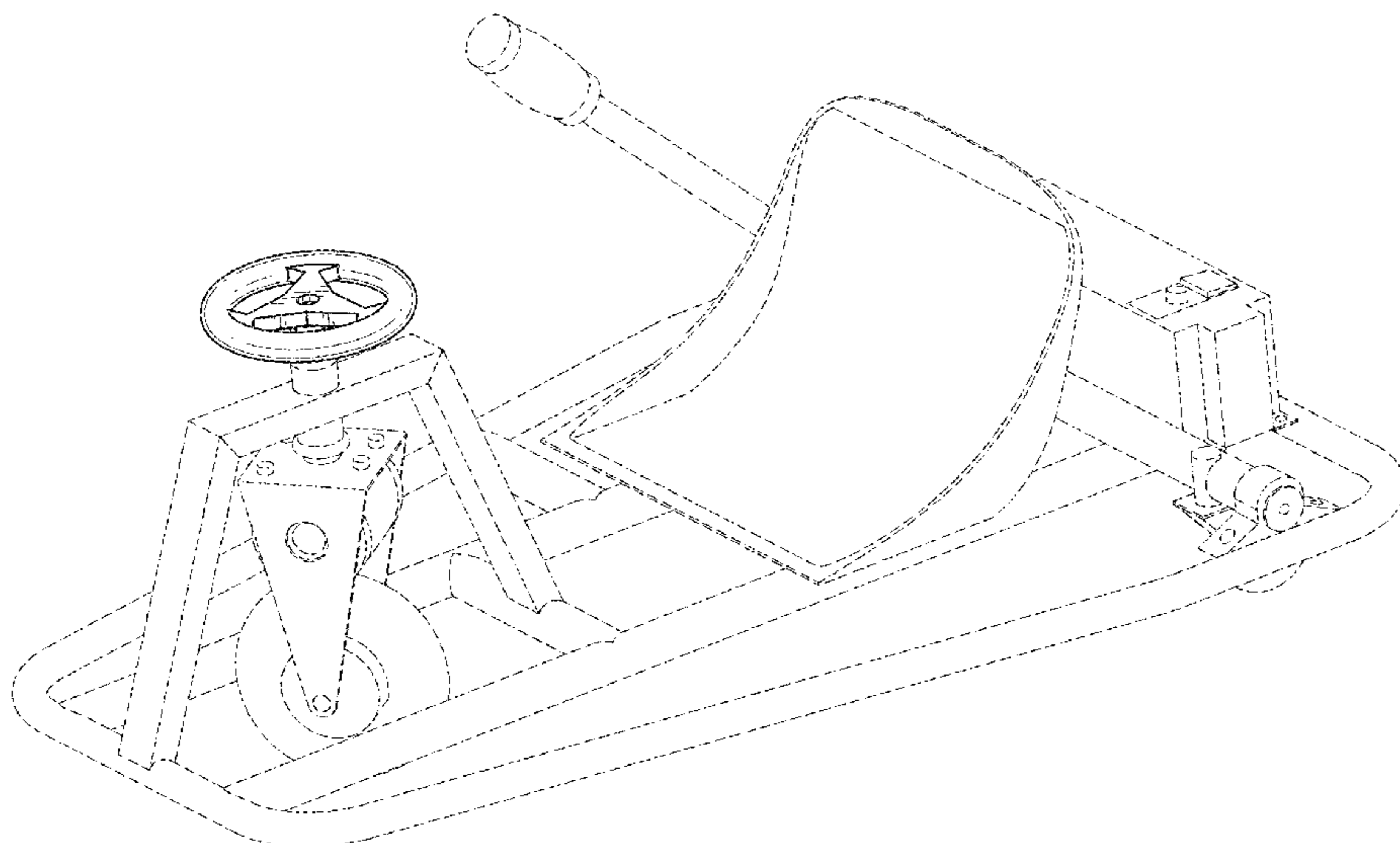
(52) **U.S. Cl.**
USPC **D12/176**

(58) **Field of Classification Search**
USPC D12/175, 176; D14/414; D21/333
CPC B60R 21/203; B60R 21/05; B62D 1/04
See application file for complete search history.

(56) **References Cited**

U.S. PATENT DOCUMENTS

1,231,531 A 6/1917 Shilling
1,932,031 A 10/1933 Saverio
3,062,559 A 6/1959 Hewitt
D189,614 S 1/1961 Beale



(56)

References Cited

U.S. PATENT DOCUMENTS

D830,469 S 10/2018 Kermani et al.
 D830,470 S 10/2018 Chen
 10,245,194 B2 4/2019 Kermani
 10,266,197 B2 4/2019 Desberg
 D848,166 S 5/2019 Braun
 D850,328 S 6/2019 Allais
 D852,892 S 7/2019 Chen
 D852,893 S 7/2019 Kermani et al.
 D854,457 S 7/2019 Kermani
 D854,458 S 7/2019 Kermani
 D855,339 S 8/2019 Ochs
 10,434,860 B2 10/2019 Chen et al.
 D872,657 S 1/2020 Li
 D874,986 S 2/2020 Chen
 D890,854 S 7/2020 Kermani et al.
 D890,855 S 7/2020 Chen
 10,822,014 B2* 11/2020 Boittiaux B60R 21/01552
 10,843,720 B2* 11/2020 Kwon B60R 16/027
 2002/0011374 A1 1/2002 Brister
 2002/0175027 A1 11/2002 Usherovich
 2003/0102657 A1 6/2003 Kuo
 2004/0035627 A1 2/2004 Richey et al.
 2004/0040769 A1 3/2004 Richey et al.
 2004/0199311 A1 10/2004 Aguilar et al.
 2005/0103554 A1 5/2005 Meglioli
 2005/0173180 A1 8/2005 Hypes et al.
 2007/0045022 A1 3/2007 Greig et al.
 2007/0151777 A1 7/2007 Peng
 2008/0122209 A1 5/2008 Jayasuriya
 2008/0196951 A1 8/2008 Gal et al.
 2009/0007721 A1 1/2009 Cortina et al.
 2009/0065272 A1 3/2009 Martin et al.
 2012/0133111 A1 5/2012 Schmutzer et al.
 2015/0328994 A1 5/2015 Chen et al.
 2016/0214557 A1 7/2016 Villa
 2017/0156953 A1 6/2017 Kermani

2018/0043950 A1 2/2018 Kermani et al.
 2020/0022856 A1 1/2020 Kermani
 2020/0062100 A1 2/2020 Chen et al.

FOREIGN PATENT DOCUMENTS

CN 2936826 8/2007
 CN 200977859 11/2007
 CN 201009762 Y 1/2008
 CN 203186508 U 9/2013
 CN 203427959 U 2/2014
 CN 203864416 U 10/2014
 CN 204527453 U 8/2015
 CN 105083006 A 11/2015
 CN 205087107 U 3/2016
 CN 206012763 U 3/2017
 EP 0529188 A1 3/1993
 FR 859864 A 12/1940
 WO WO 2018/032730 2/2018
 WO WO 2018/035060 A1 2/2018

OTHER PUBLICATIONS

Recreation Ltd. "Razor Crazy Cart Shift Ride Video", Youtube, Aug. 15, 2016 (Aug. 15, 2016), Retrieved from the Internet: URL: <https://youtube.com/watch?v=KjrfsfSiMZ4> [retrieved on Apr. 10, 2020].

Aamoth, Doug, "Razor Builds the Ultimate Drifting Go-Kart: Why Must I Always Be Over the Weight Limit for Everything Good in This World?," Jul. 11, 2013, retrieved on Aug. 6, 2016, <http://techland.time.com/2013/07/11/razor-builds-the-ultimate-drifting-go-kart-why-must-i-always-be-over-the-weight-limit-for-everything-good-in-this-world/>, in 2 pages.

OTL Electrokart, "Storm Series—Competition" Datasheet, Jun. 14, 2014, retrieved on Aug. 6, 2016, <https://www.kart1.com/pdf/competition.pdf>, in 3 pages.

* cited by examiner

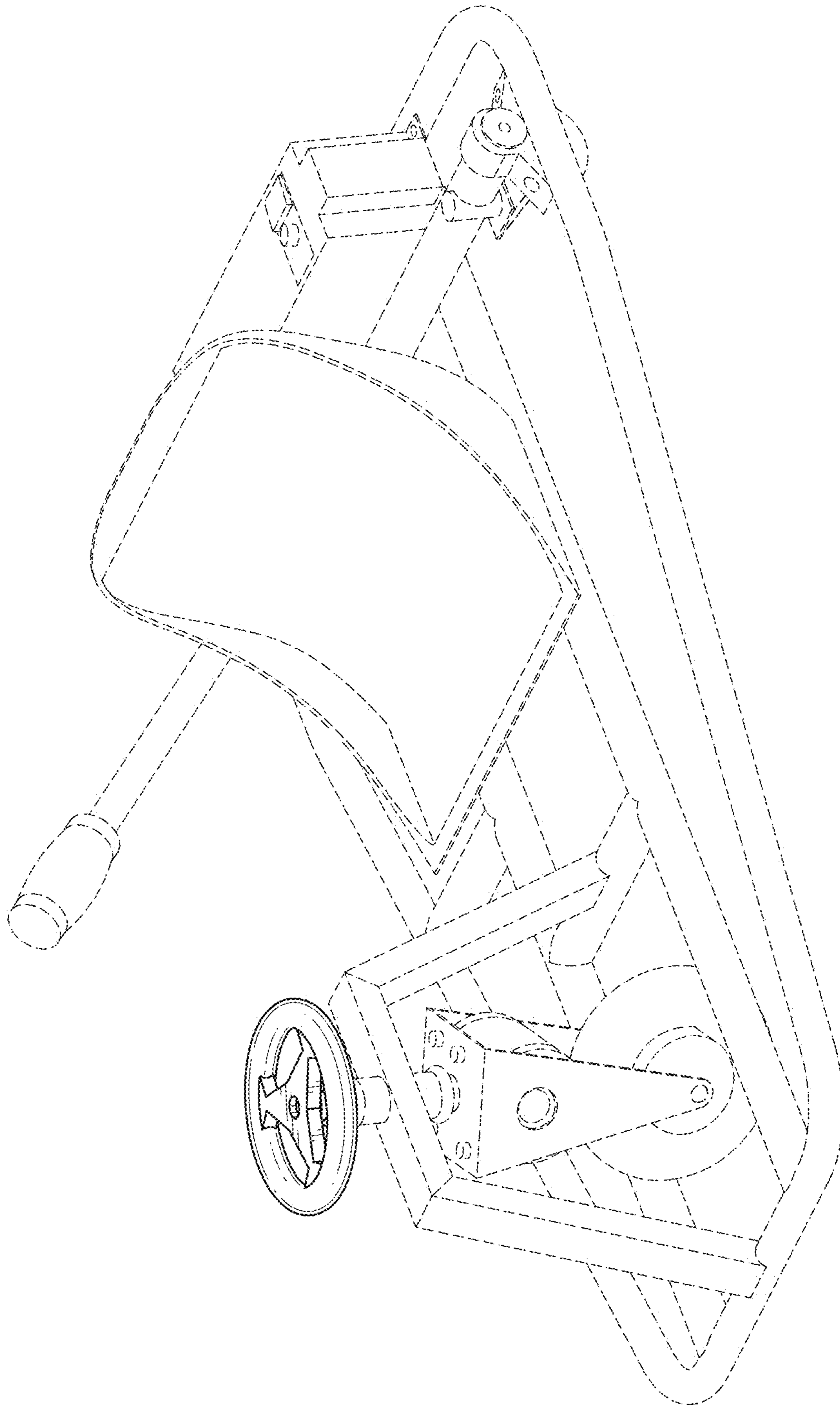


FIG. 1

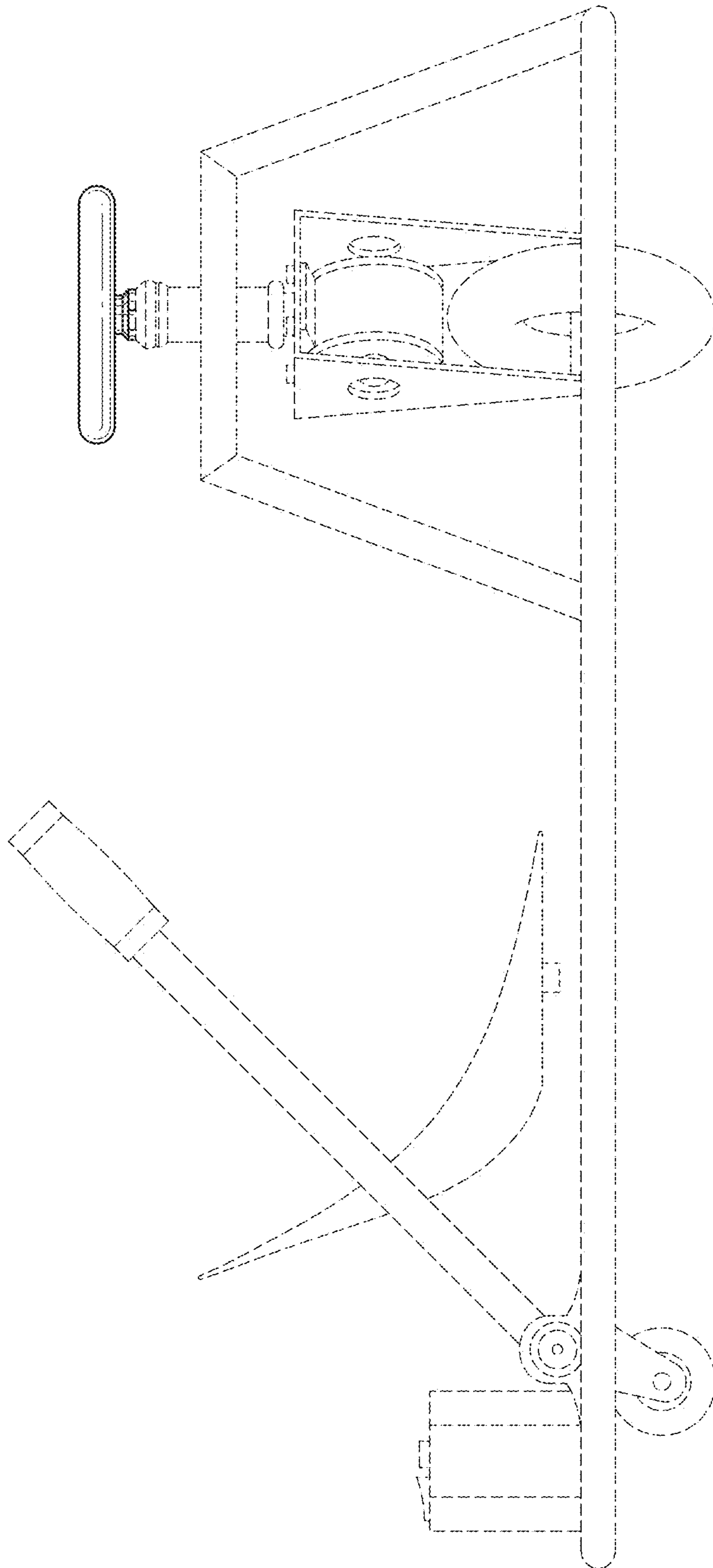


FIG. 2

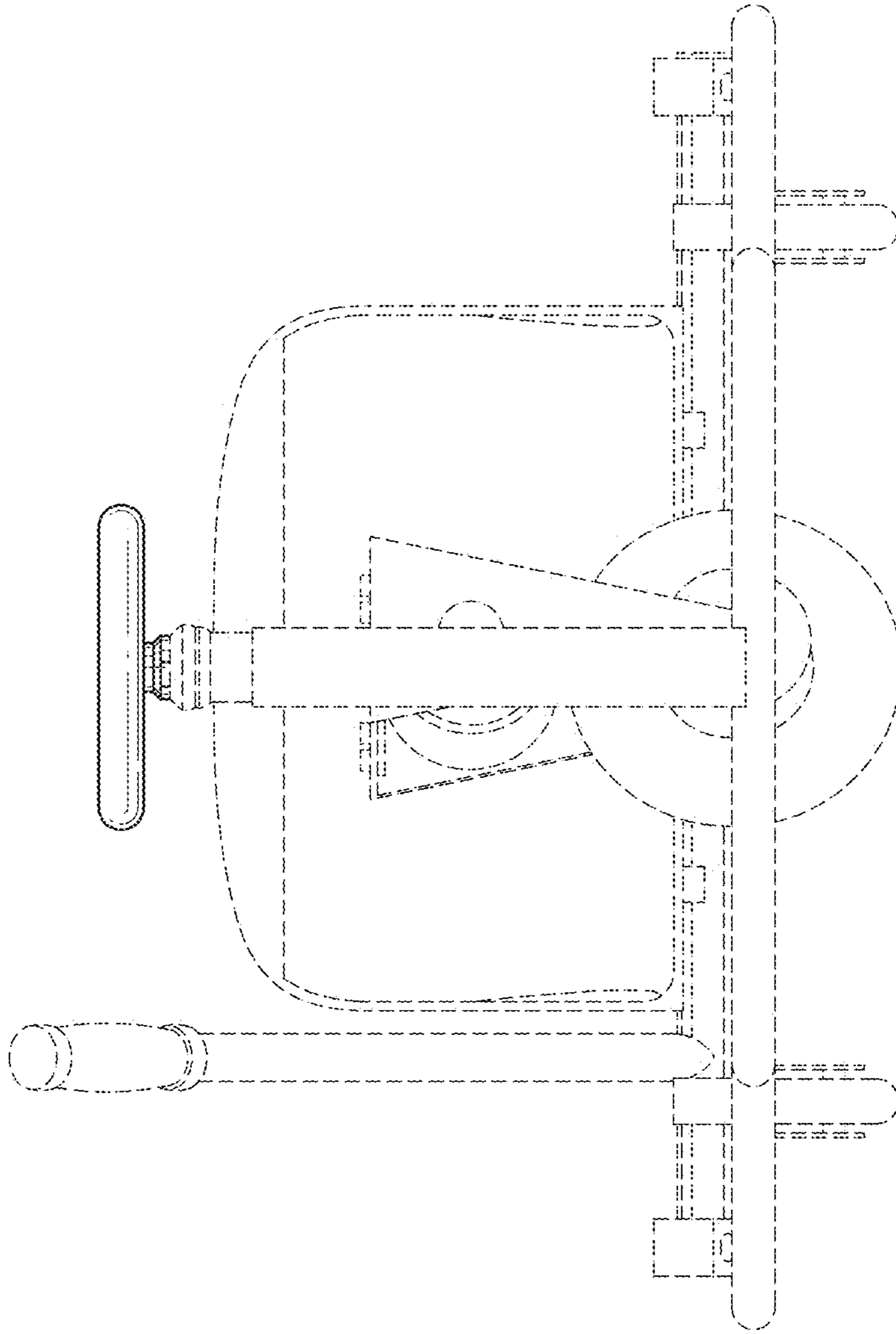


FIG. 3

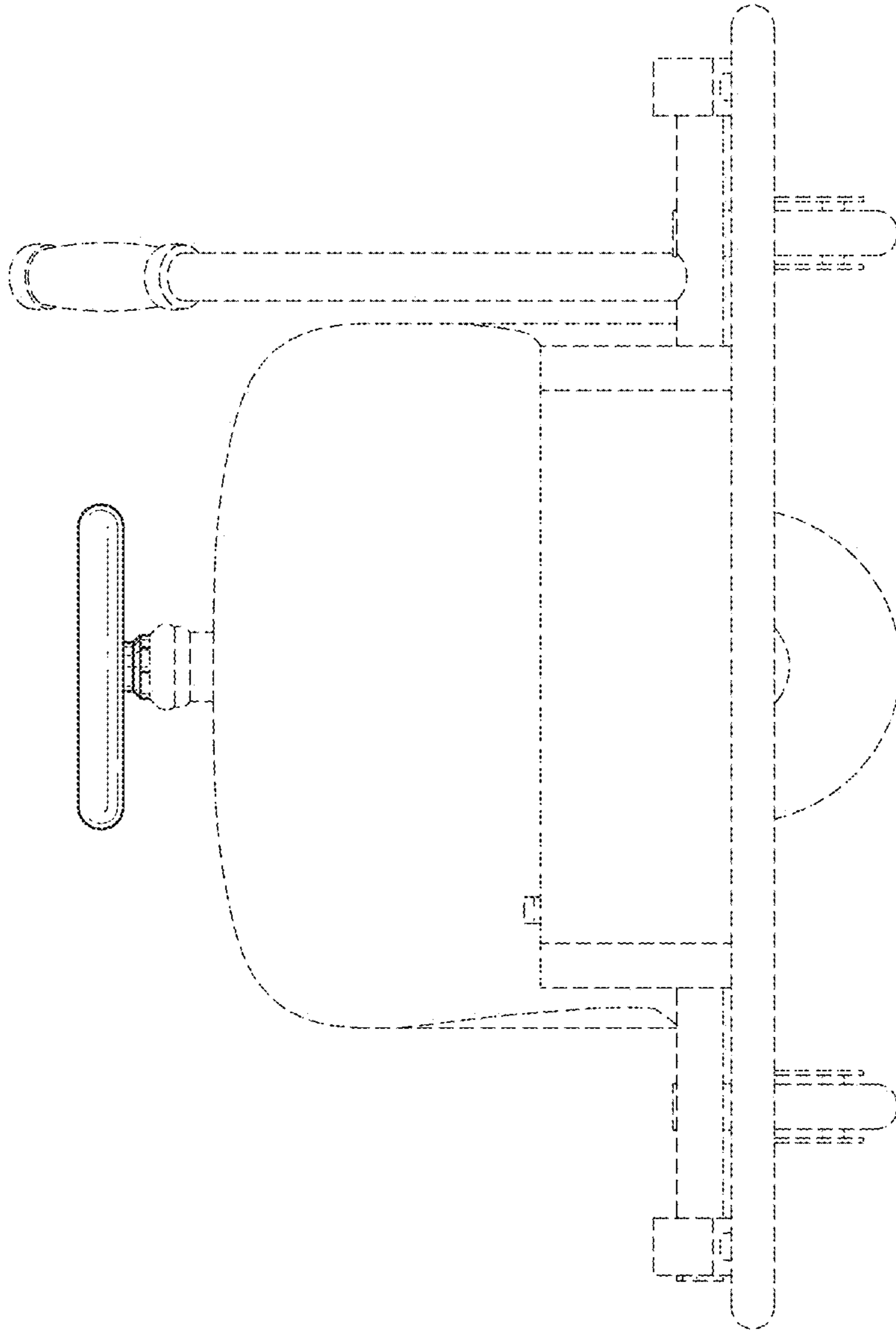


FIG. 4

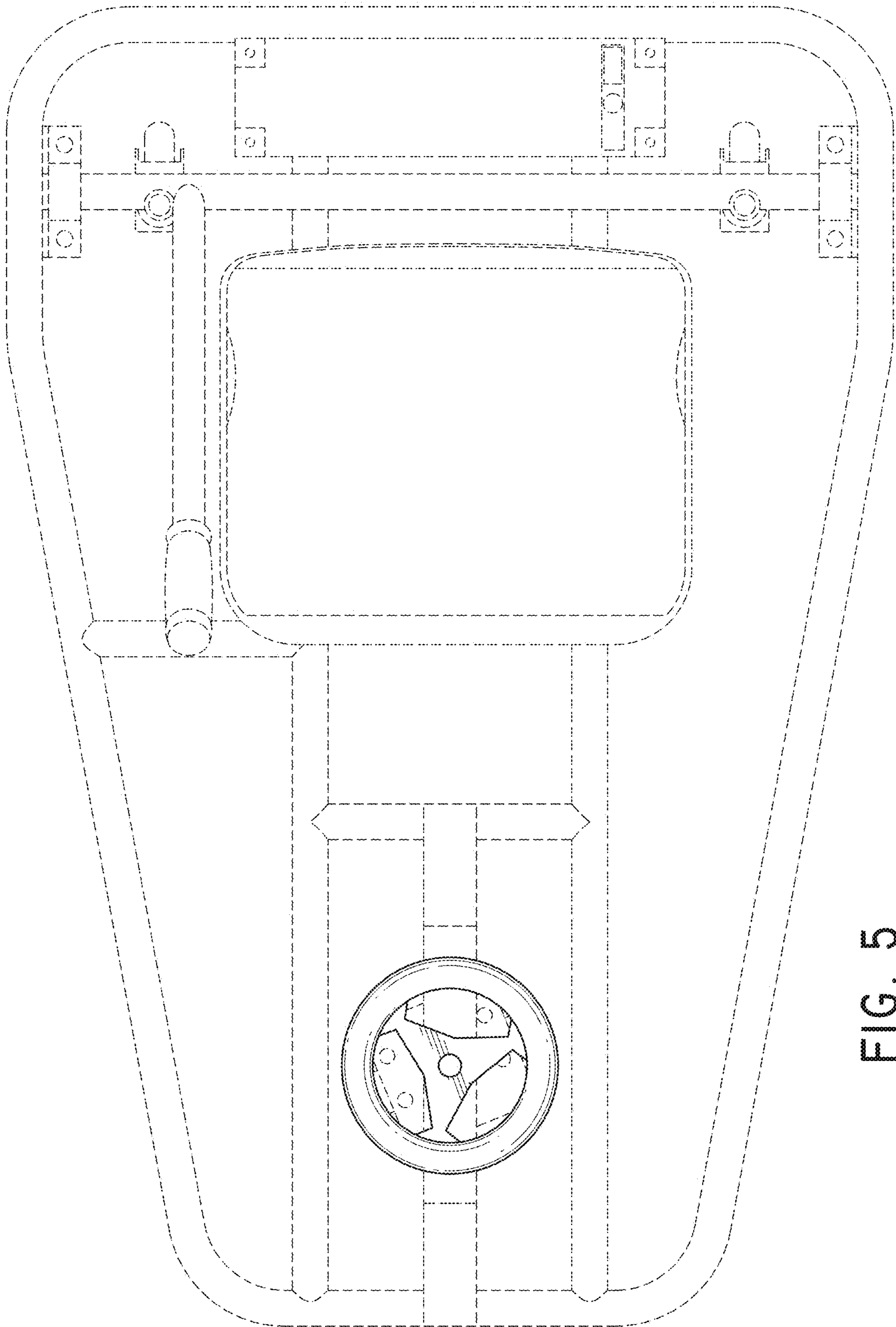


FIG. 5

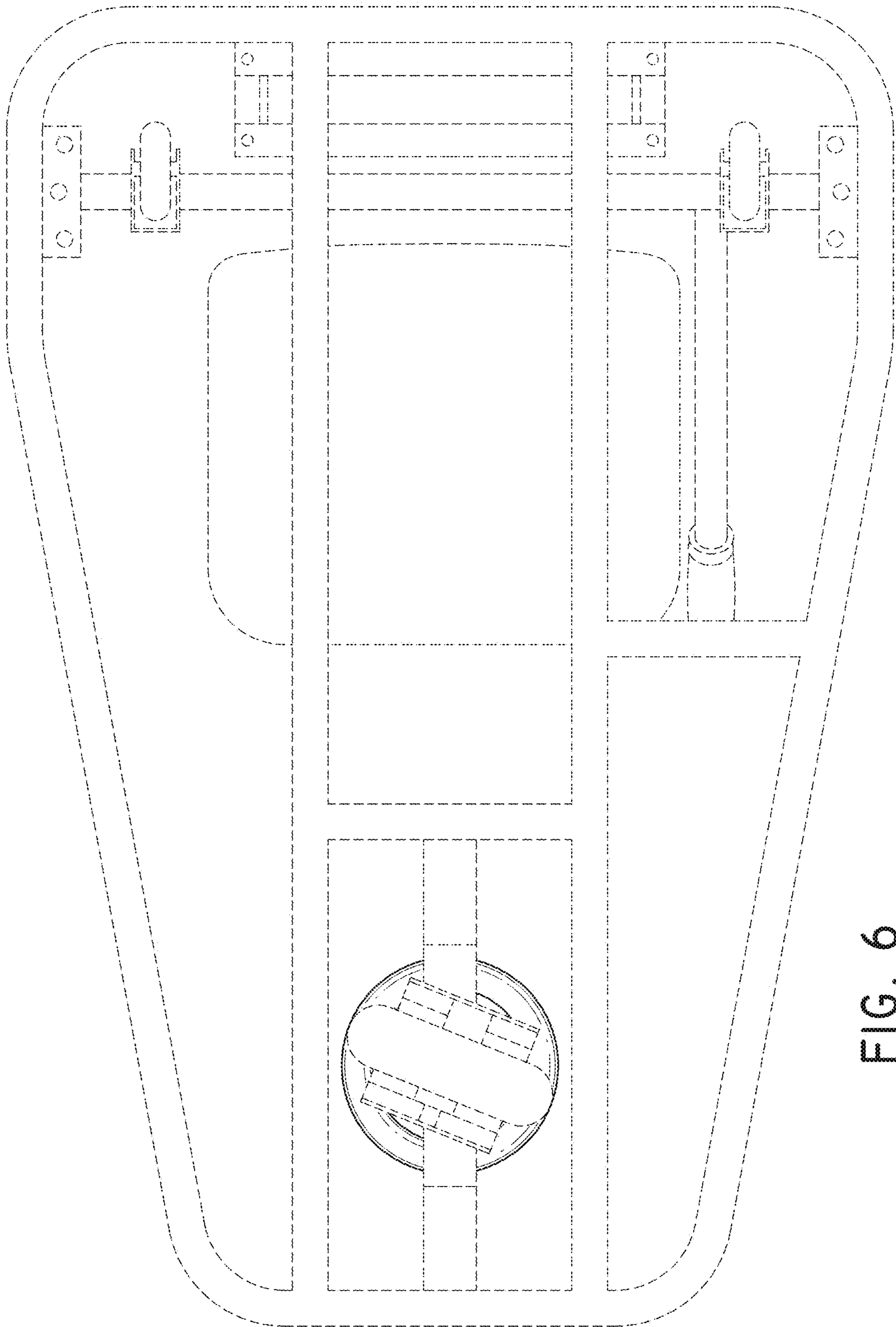


FIG. 6

UNITED STATES PATENT AND TRADEMARK OFFICE
CERTIFICATE OF CORRECTION

PATENT NO. : D913,878 S
APPLICATION NO. : 29/698467
DATED : March 23, 2021
INVENTOR(S) : Ali Kermani

Page 1 of 1

It is certified that error appears in the above-identified patent and that said Letters Patent is hereby corrected as shown below:

On the Title Page

Item (63), Line 12, after "7,823,675." insert --(60) Provisional application No. 61/082,014, filed on Jul. 18, 2008.--.

Page 3, Column 2, Item (56), Line 4, under Other Publications, "2020." and insert --2020].--.

Signed and Sealed this
First Day of June, 2021



Drew Hirshfeld
*Performing the Functions and Duties of the
Under Secretary of Commerce for Intellectual Property and
Director of the United States Patent and Trademark Office*