



US00D913876S

(12) **United States Design Patent**
Bischoff et al.

(10) **Patent No.:** **US D913,876 S**
(45) **Date of Patent:** **** Mar. 23, 2021**

(54) **VEHICLE BUMPER**

(71) Applicant: **VOLKSWAGEN**
AKTIENGESELLSCHAFT,
Wolfsburg (DE)

(72) Inventors: **Klaus Bischoff,** Wolfsburg (DE); **Frank**
Josef Brüse, Wolfsburg (DE)

(73) Assignee: **VOLKSWAGEN**
AKTIENGESELLSCHAFT,
Wolfsburg (DE)

(**) Term: **15 Years**

(21) Appl. No.: **29/719,094**

(22) Filed: **Dec. 31, 2019**

(30) **Foreign Application Priority Data**

Oct. 2, 2019 (WO) IBWIPO 88048

(51) **LOC (13) Cl.** **12-16**

(52) **U.S. Cl.**
USPC **D12/169**

(58) **Field of Classification Search**
USPC D12/163, 196, 86, 90-92, 169, 190, 98,
D12/164; 293/102, 113, 115, 117, 120,
293/193.11; 296/180.1, 180.2; 180/68.1,
180/68.6
CPC B60R 19/02; B60R 19/04; B62D 25/08
See application file for complete search history.

(56) **References Cited**

U.S. PATENT DOCUMENTS

D814,985 S * 4/2018 Peat D12/169

D820,739 S * 6/2018 Suga D12/169
D824,300 S * 7/2018 Badstuebner D12/169
D841,535 S * 2/2019 Buckingham D12/169
D841,536 S * 2/2019 Ojea D12/169
D843,277 S * 3/2019 Ojea D12/169
D904,250 S * 12/2020 Wheel D12/169

FOREIGN PATENT DOCUMENTS

WO DM097097 6/2017

* cited by examiner

Primary Examiner — Melody N Brown

(74) *Attorney, Agent, or Firm* — Lucas & Mercanti, LLP;
Klaus P. Stoffel

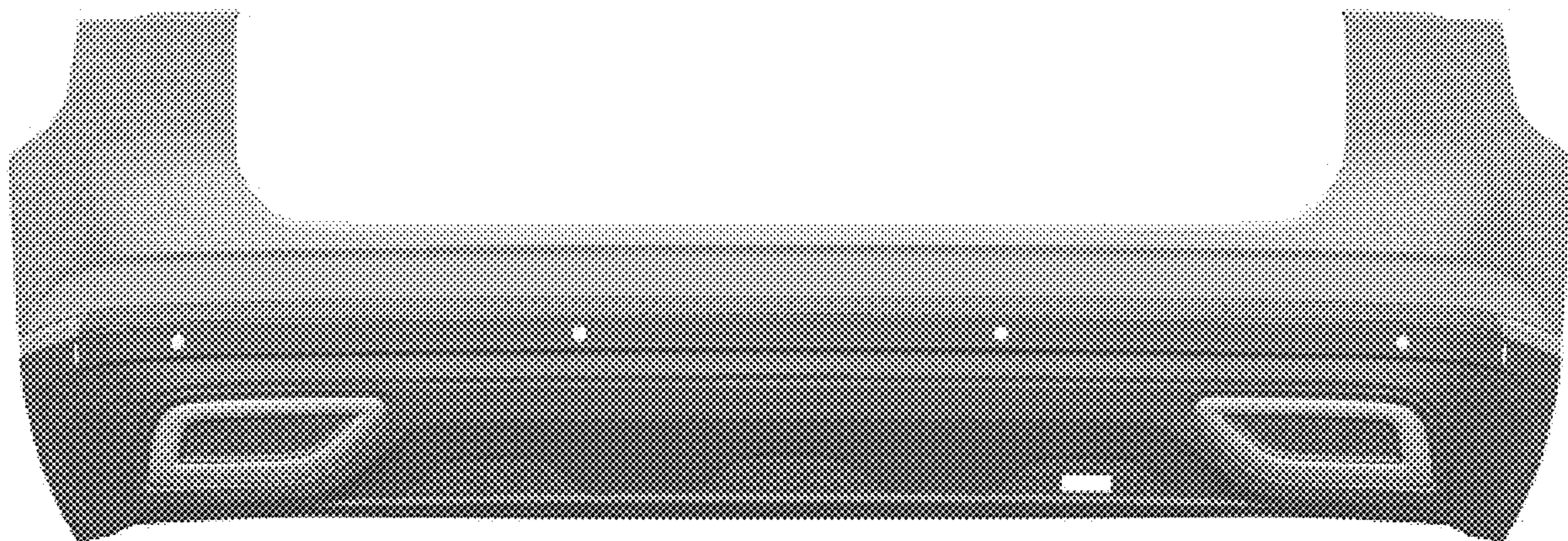
(57) **CLAIM**

The ornamental design for a vehicle bumper, as shown and described.

DESCRIPTION

FIG. 1 is a front and right side perspective view of a vehicle bumper showing our new design;
FIG. 2 is a front and left side perspective view thereof;
FIG. 3 is a left side view thereof;
FIG. 4 is a right side view thereof;
FIG. 5 is a front view thereof;
FIG. 6 is a rear view thereof;
FIG. 7 is a top view thereof; and,
FIG. 8 is a bottom view thereof.

1 Claim, 4 Drawing Sheets



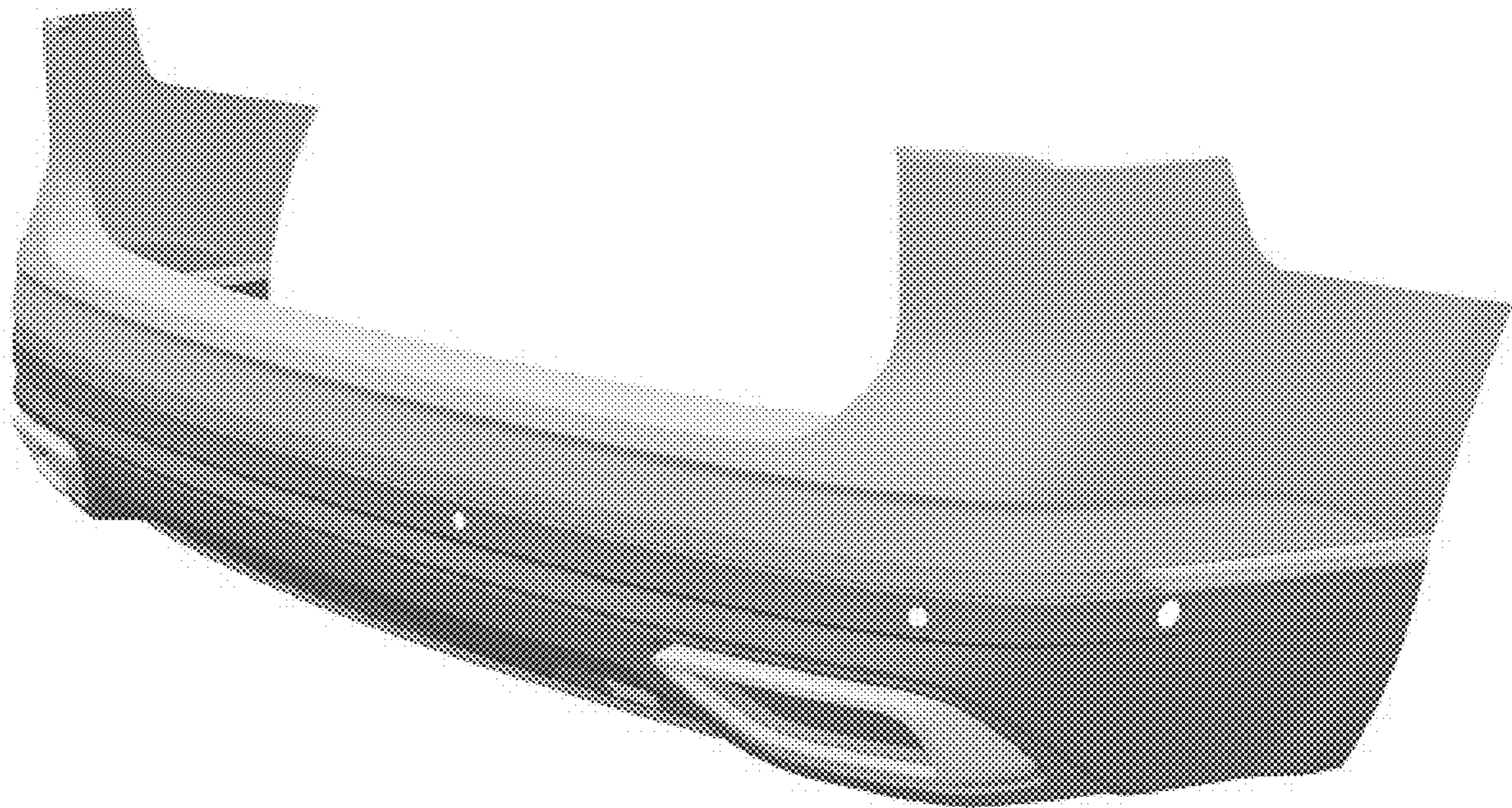


Fig. 1

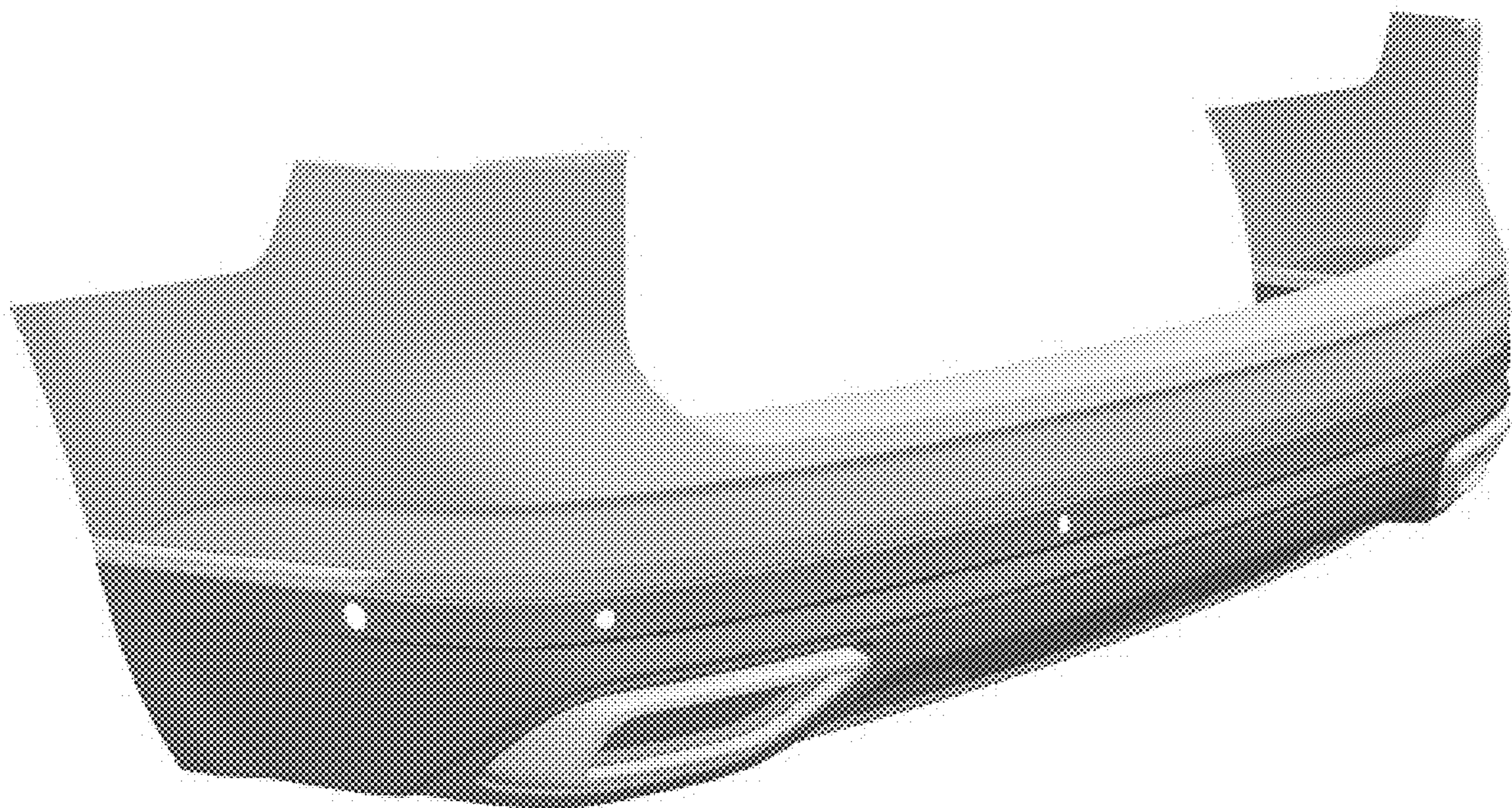


Fig. 2

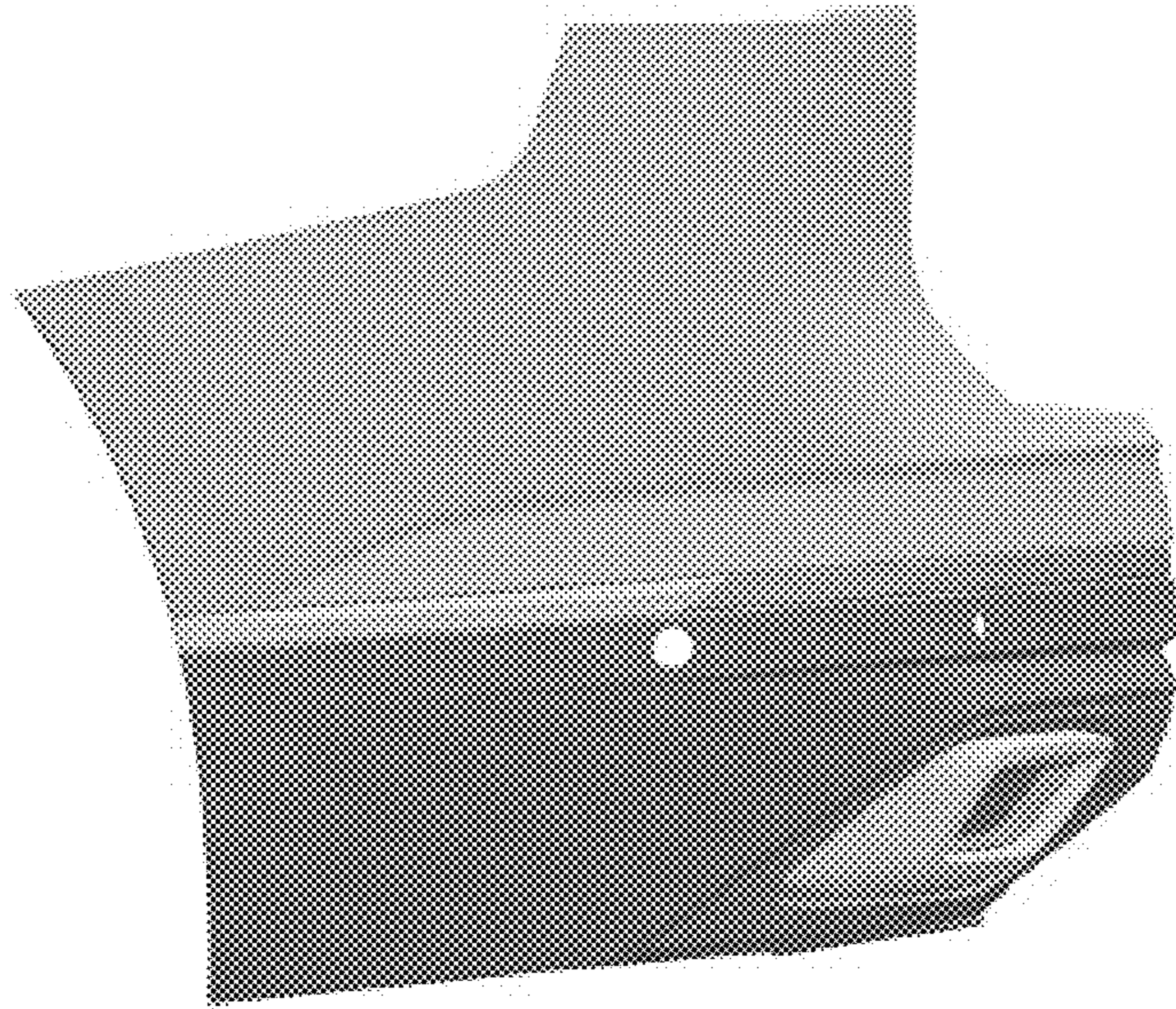


Fig. 3

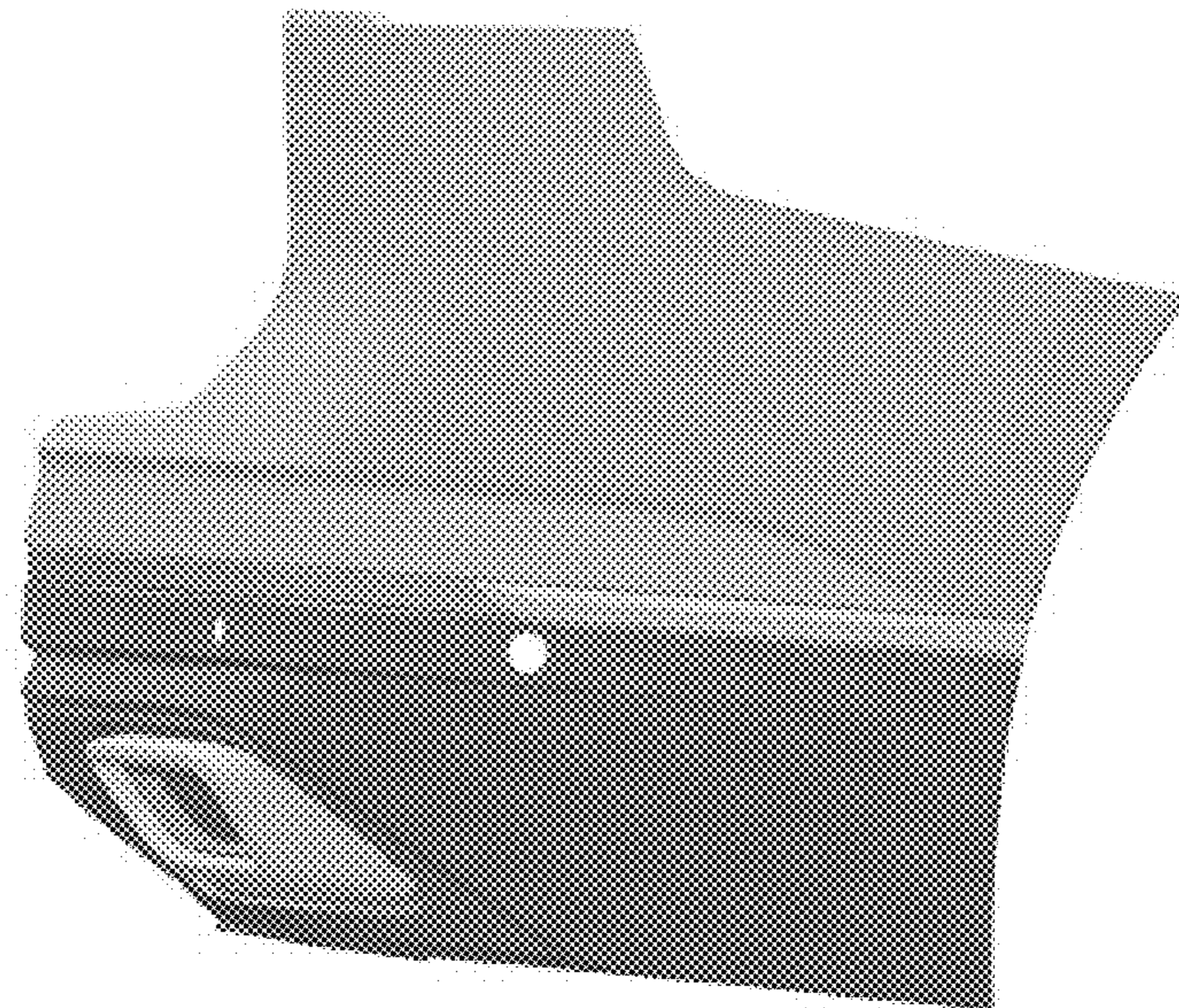


Fig. 4

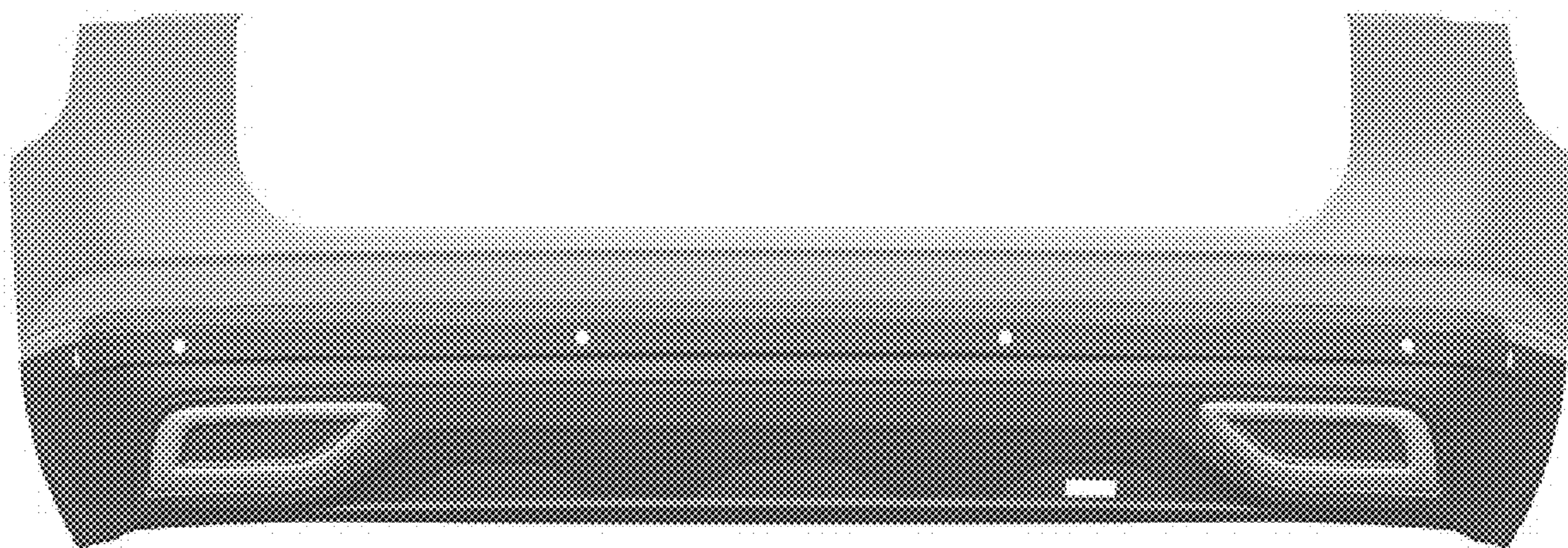


Fig. 5

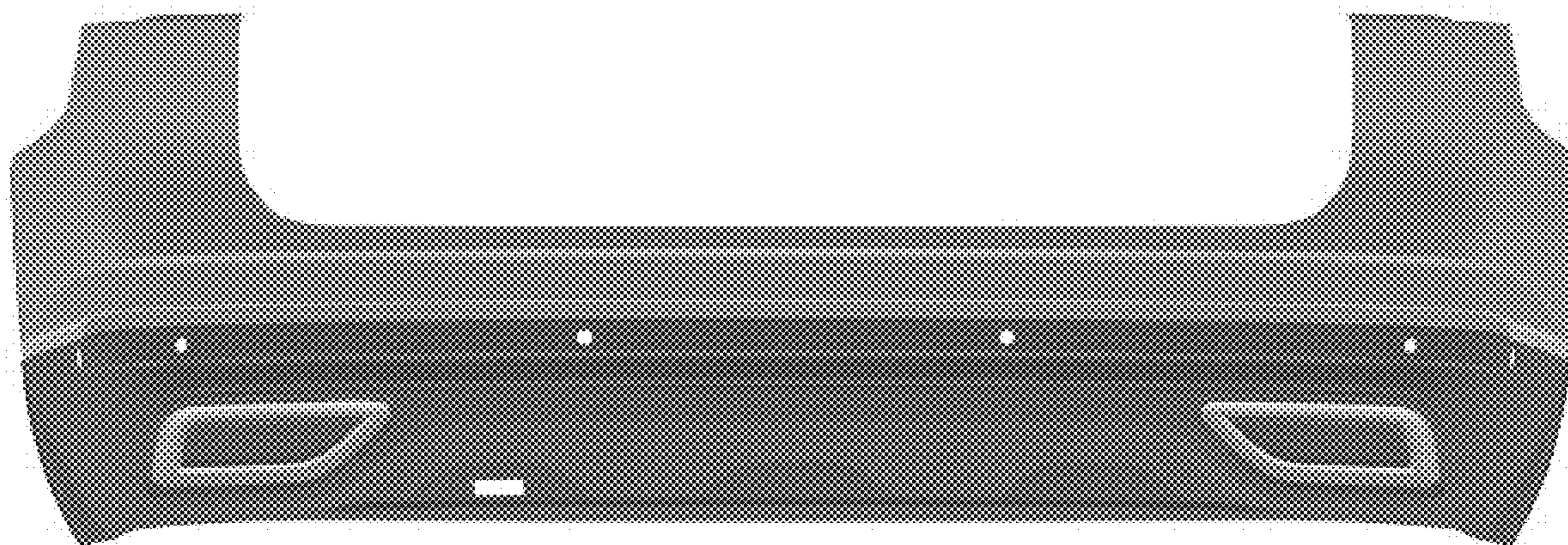


Fig. 6

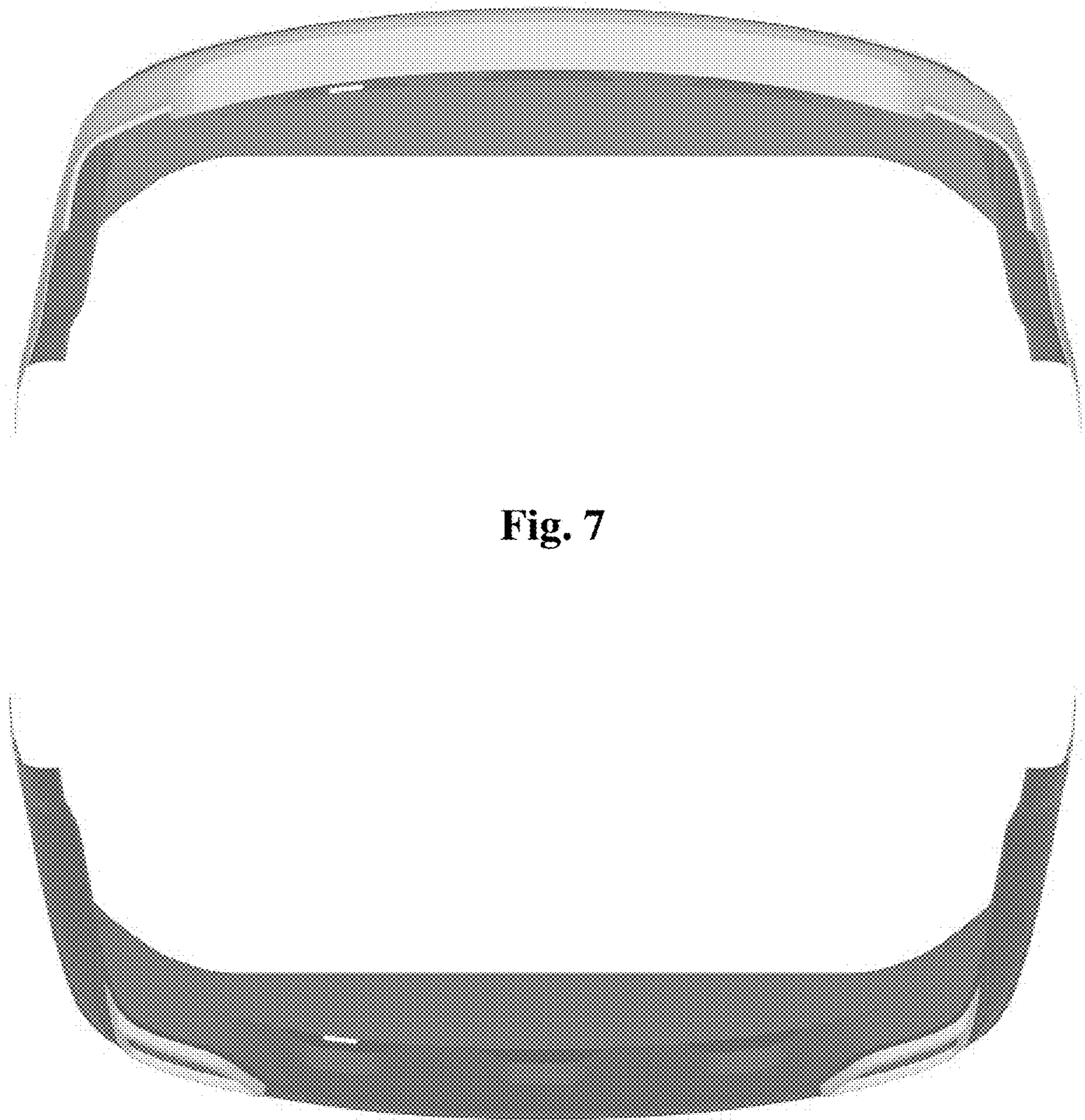


Fig. 7

Fig. 8