



US00D913867S

(12) **United States Design Patent** (10) **Patent No.:** **US D913,867 S**
Woodhouse et al. (45) **Date of Patent:** **** Mar. 23, 2021**

(54) **VEHICLE FRONT UPPER GRILLE**

(71) Applicant: **Ford Global Technologies, LLC**,
Dearborn, MI (US)

(72) Inventors: **David Woodhouse**, Troy, MI (US);
Kemal Curic, Irvine, CA (US); **Shawn Wehrly**, Northville, MI (US); **Hojoon Kang**, Novi, MI (US)

(73) Assignee: **Ford Global Technologies, LLC**,
Dearborn, MI (US)

(**) Term: **15 Years**

(21) Appl. No.: **29/708,734**

(22) Filed: **Oct. 9, 2019**

(51) **LOC (13) Cl.** **12-16**

(52) **U.S. Cl.**
USPC **D12/163**

(58) **Field of Classification Search**
USPC D12/163, 196, 86, 90-92, 169, 190, 98,
D12/164; 293/102, 113, 115, 117, 120,
293/193.11; 296/180.1, 180.2; 180/68.1,
180/68.6
CPC B60R 19/52; B60K 11/08; B62D 25/08;
B62B 9/16
See application file for complete search history.

(56) **References Cited**

U.S. PATENT DOCUMENTS

D703,110 S 4/2014 Gueler et al.
D740,185 S 10/2015 Blanski et al.
D756,854 S * 5/2016 Horiuchi D12/163

D758,928 S * 6/2016 Messale D12/163
D766,782 S * 9/2016 Arroba D12/163
D769,779 S * 10/2016 Woodhouse D12/163
D770,942 S * 11/2016 Woodhouse D12/92
D781,188 S * 3/2017 Wolff D12/163
D787,375 S * 5/2017 Curic D12/92
D787,376 S * 5/2017 Wolff D12/92
D788,654 S * 6/2017 Curic D12/163
D793,283 S * 8/2017 Woodhouse D12/91
D819,514 S * 6/2018 Woodhouse D12/163
D865,581 S * 11/2019 Woodhouse D12/163
D865,582 S * 11/2019 Woodhouse D12/163
D869,337 S * 12/2019 Woodhouse D12/91
D887,321 S * 6/2020 Woodhouse D12/163
D887,322 S * 6/2020 Woodhouse D12/163

* cited by examiner

Primary Examiner — Melody N Brown

(74) *Attorney, Agent, or Firm* — Michael Spenner

(57) **CLAIM**

The ornamental design for a vehicle front upper grille, as shown and described.

DESCRIPTION

FIG. 1 is a front elevational view of a vehicle front upper grille, showing our new design;
FIG. 2 is a left side elevational view thereof;
FIG. 3 is a right side elevational view thereof;
FIG. 4 is a top plan view thereof;
FIG. 5 is a bottom plan view thereof;
FIG. 6 is a top, front and left side perspective view thereof;
and,
FIG. 7 is a bottom, front and left side perspective view thereof.

1 Claim, 7 Drawing Sheets

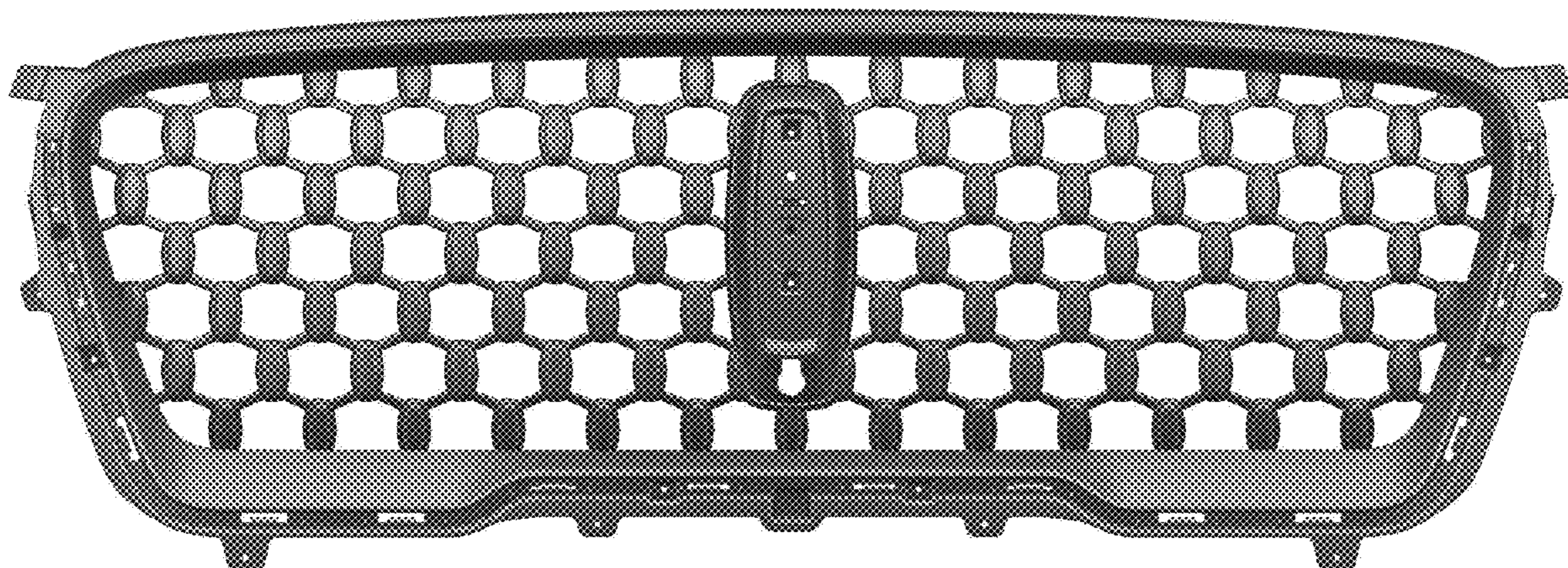




Fig. 1

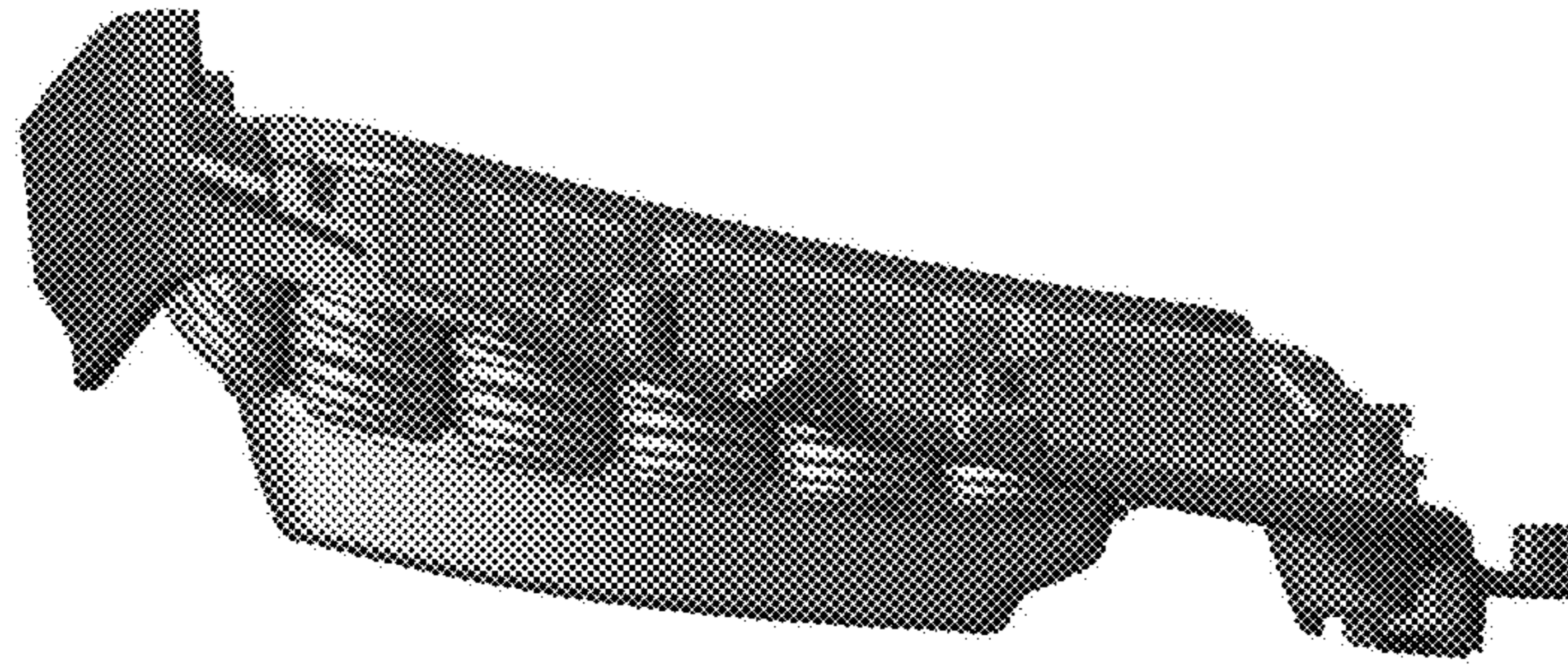


Fig. 2

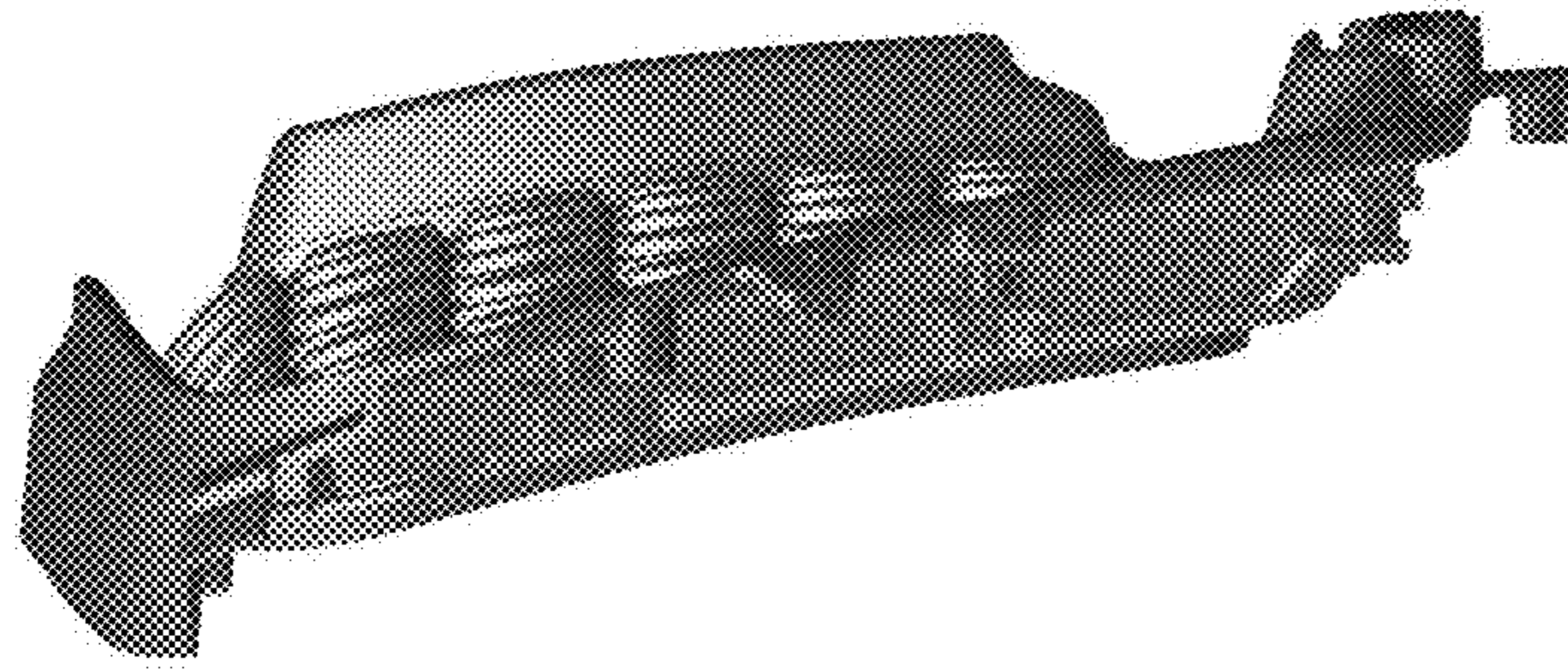


Fig. 3

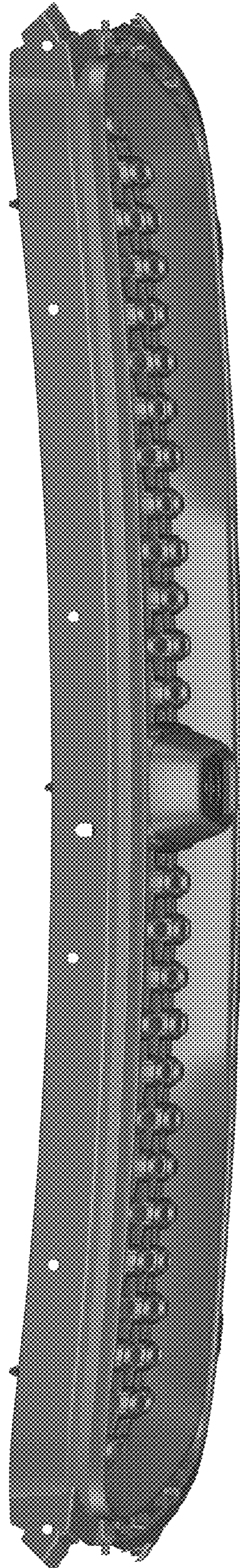


Fig.4

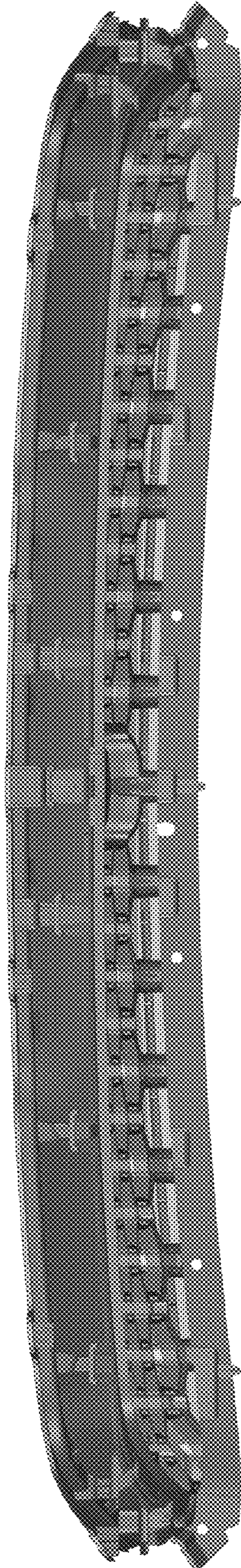


Fig. 5



Fig. 6

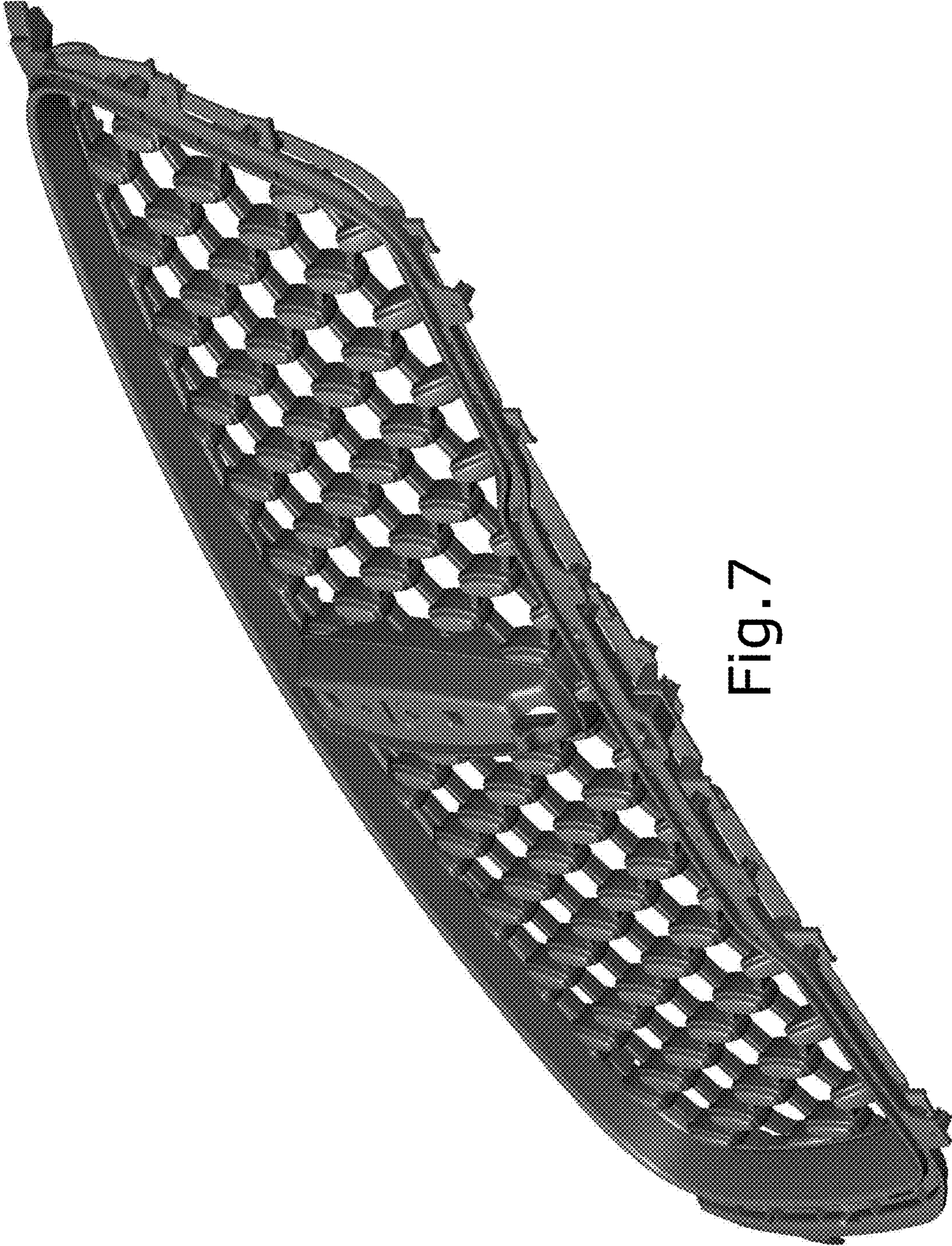


Fig. 7