



US00D913866S

(12) **United States Design Patent** (10) **Patent No.:** **US D913,866 S**  
**Huang** (45) **Date of Patent:** **\*\* Mar. 23, 2021**

(54) **FRONT GRILL FOR CAR**  
(71) Applicant: **Xing Huang**, Shenzhen (CN)  
(72) Inventor: **Xing Huang**, Shenzhen (CN)  
(\*\*) Term: **15 Years**  
(21) Appl. No.: **29/698,586**  
(22) Filed: **Jul. 18, 2019**  
(51) **LOC (13) Cl.** ..... **12-16**  
(52) **U.S. Cl.**  
USPC ..... **D12/163**  
(58) **Field of Classification Search**  
USPC ..... D12/169, 196, 86, 90-92, 163, 190, 98,  
D12/164; 293/102, 113, 115, 117, 120,  
293/193.11; 296/180.1, 180.2; 180/68.1,  
180/68.6  
CPC ..... B60R 19/52; B60K 11/08; B62D 25/08;  
B62B 9/16  
See application file for complete search history.

D840,881 S \* 2/2019 Zhang ..... D12/163  
D842,172 S \* 3/2019 Chi ..... D12/163  
D842,175 S \* 3/2019 Hartenstein ..... D12/163  
D847,025 S \* 4/2019 Zavatski ..... D12/91  
D864,802 S \* 10/2019 Davis ..... D12/163  
D871,979 S \* 1/2020 Zheng ..... D12/163  
D876,997 S \* 3/2020 Zeng ..... D12/163  
D883,150 S \* 5/2020 Li ..... D12/163  
D891,314 S \* 7/2020 Shao ..... D12/163  
D891,316 S \* 7/2020 Shao ..... D12/163  
D892,001 S \* 8/2020 Shao ..... D12/163

\* cited by examiner

*Primary Examiner* — Melody N Brown  
(74) *Attorney, Agent, or Firm* — Law Offices of Steven W. Weinrieb

(57) **CLAIM**

The ornamental design for a front grill for car, as shown and described.

**DESCRIPTION**

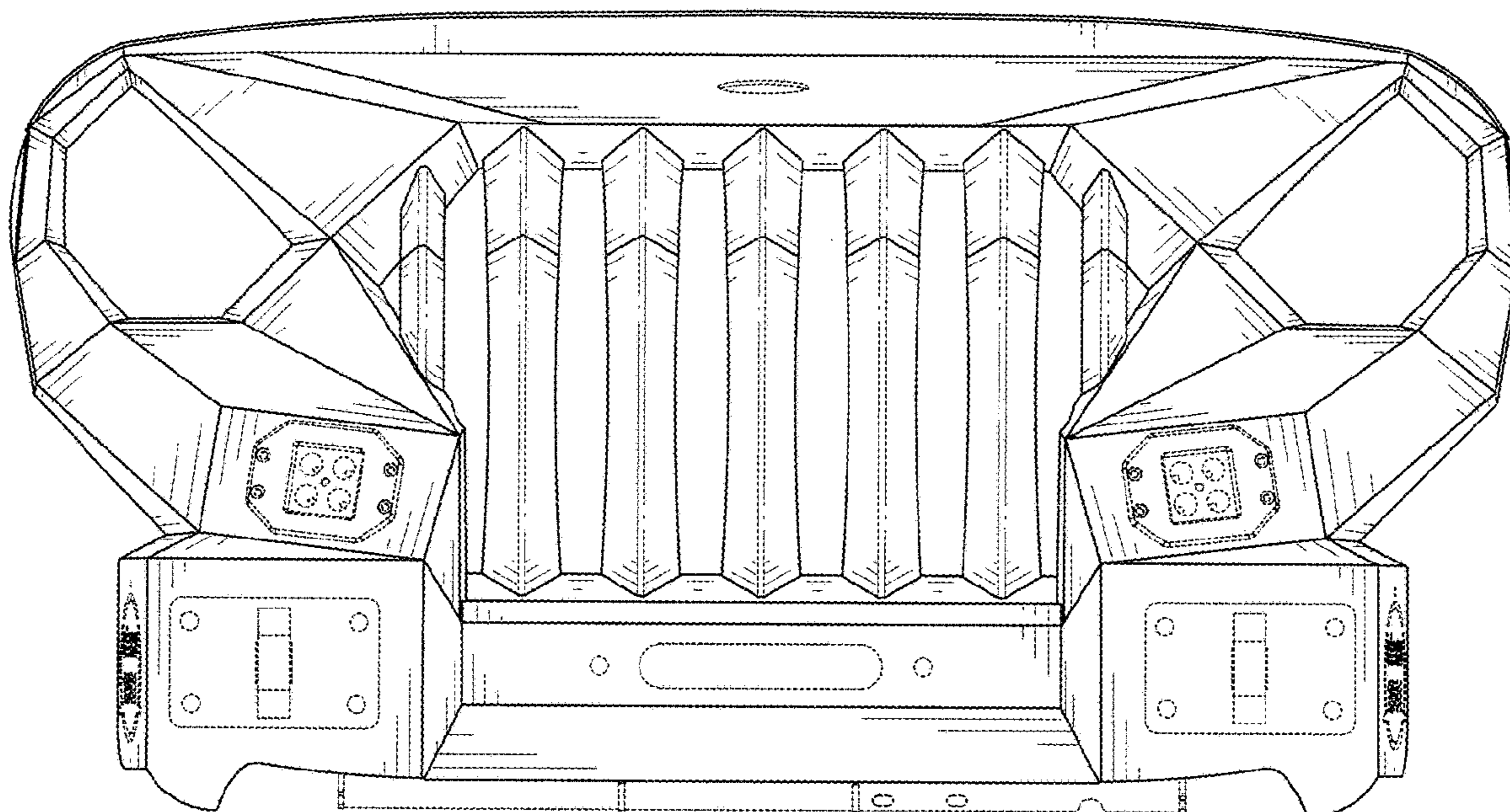
FIG. 1 is a top, front and right side perspective view of a vehicle grill for car showing my new design;  
FIG. 2 is a bottom, rear and left side perspective view thereof;  
FIG. 3 is a front elevational view thereof;  
FIG. 4 is a rear elevational view thereof;  
FIG. 5 is a right side elevational view thereof;  
FIG. 6 is a left side elevational view thereof;  
FIG. 7 is a top plan view thereof; and,  
FIG. 8 is a bottom plan view thereof.  
The broken lines shown immediately adjacent to the claimed portions of the design that represent boundaries and all other broken lines shown throughout the drawing views are for environmental and illustrative purposes and form no part of the claimed design.

**1 Claim, 8 Drawing Sheets**

(56) **References Cited**

**U.S. PATENT DOCUMENTS**

D534,458 S \* 1/2007 Renkert ..... D12/91  
D554,563 S \* 11/2007 Moushegian ..... D12/91  
D731,922 S \* 6/2015 Beaven ..... D12/91  
D746,731 S \* 1/2016 Quezada ..... D12/163  
D777,065 S \* 1/2017 Patel ..... D12/163  
D800,226 S \* 10/2017 Zeng ..... D21/433  
D807,797 S \* 1/2018 Peat ..... D12/163  
D810,626 S \* 2/2018 Macey ..... D12/91  
D811,270 S \* 2/2018 Zhang ..... D12/91  
D814,354 S \* 4/2018 Fisker ..... D12/91  
D815,571 S \* 4/2018 Zhang ..... D12/163  
D819,510 S \* 6/2018 Zhang ..... D12/163  
D826,107 S \* 8/2018 DiCanzio ..... D12/163  
D827,495 S \* 9/2018 Piscitelli ..... D12/91  
D828,223 S \* 9/2018 Piscitelli ..... D12/91



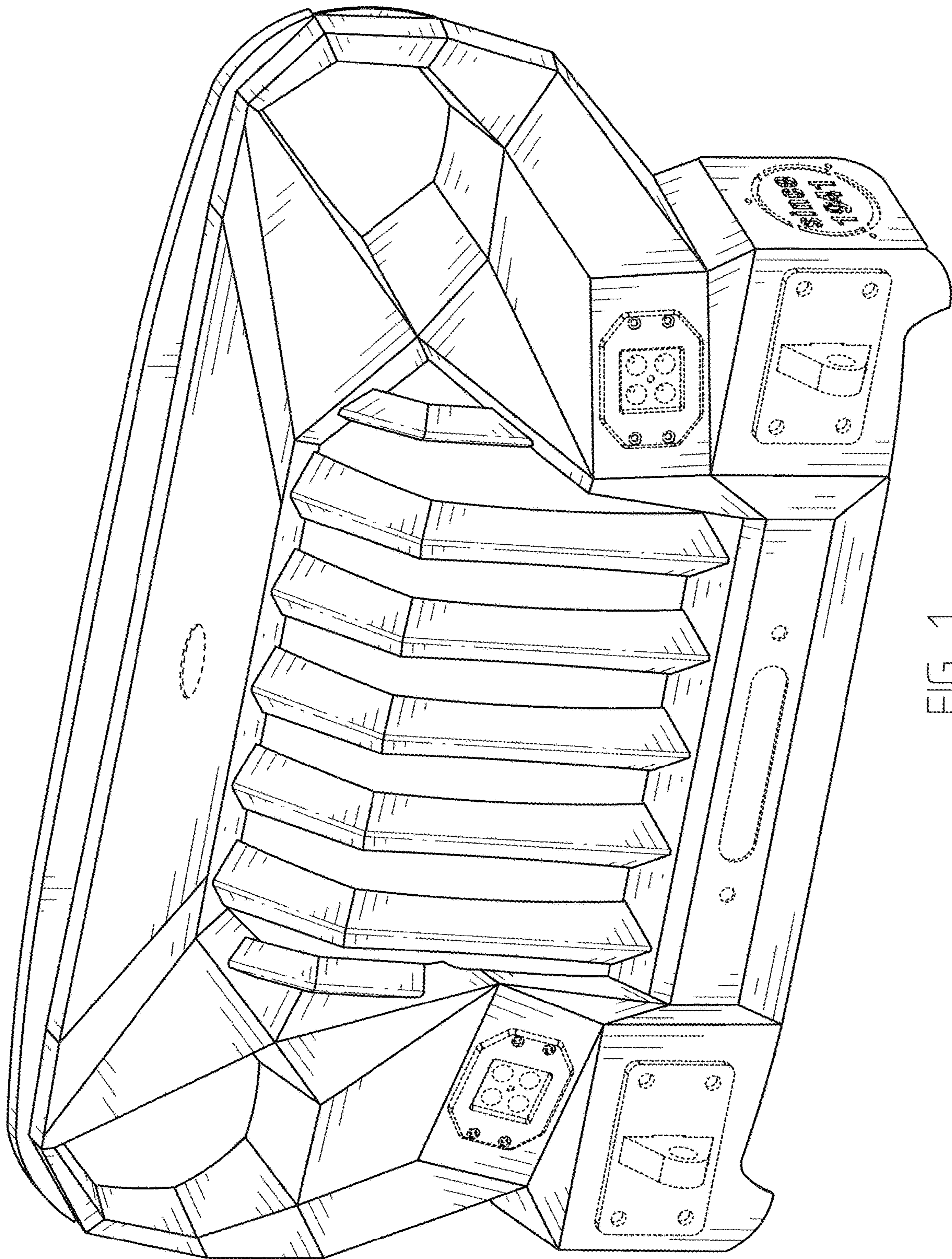


FIG. 1

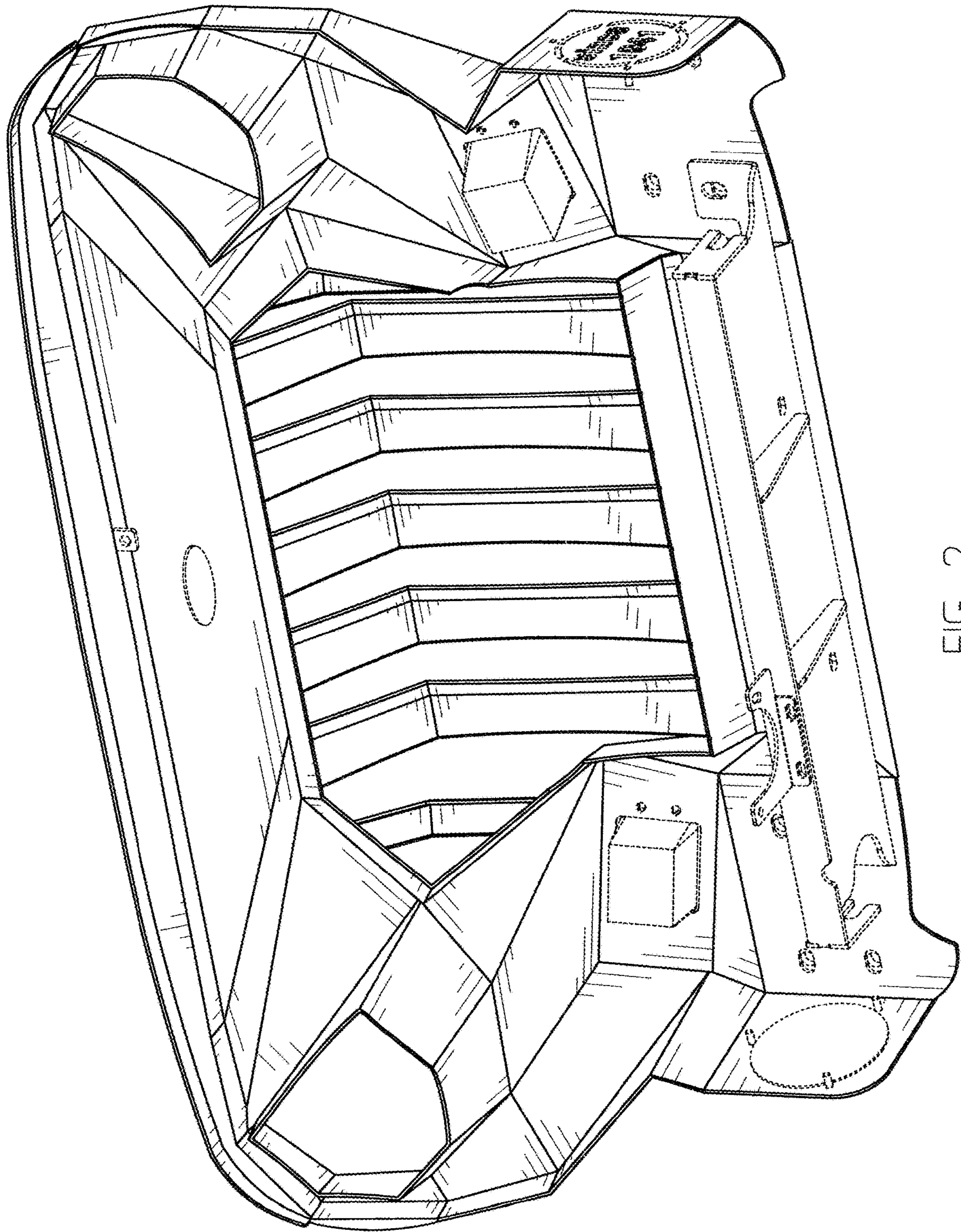


FIG. 2

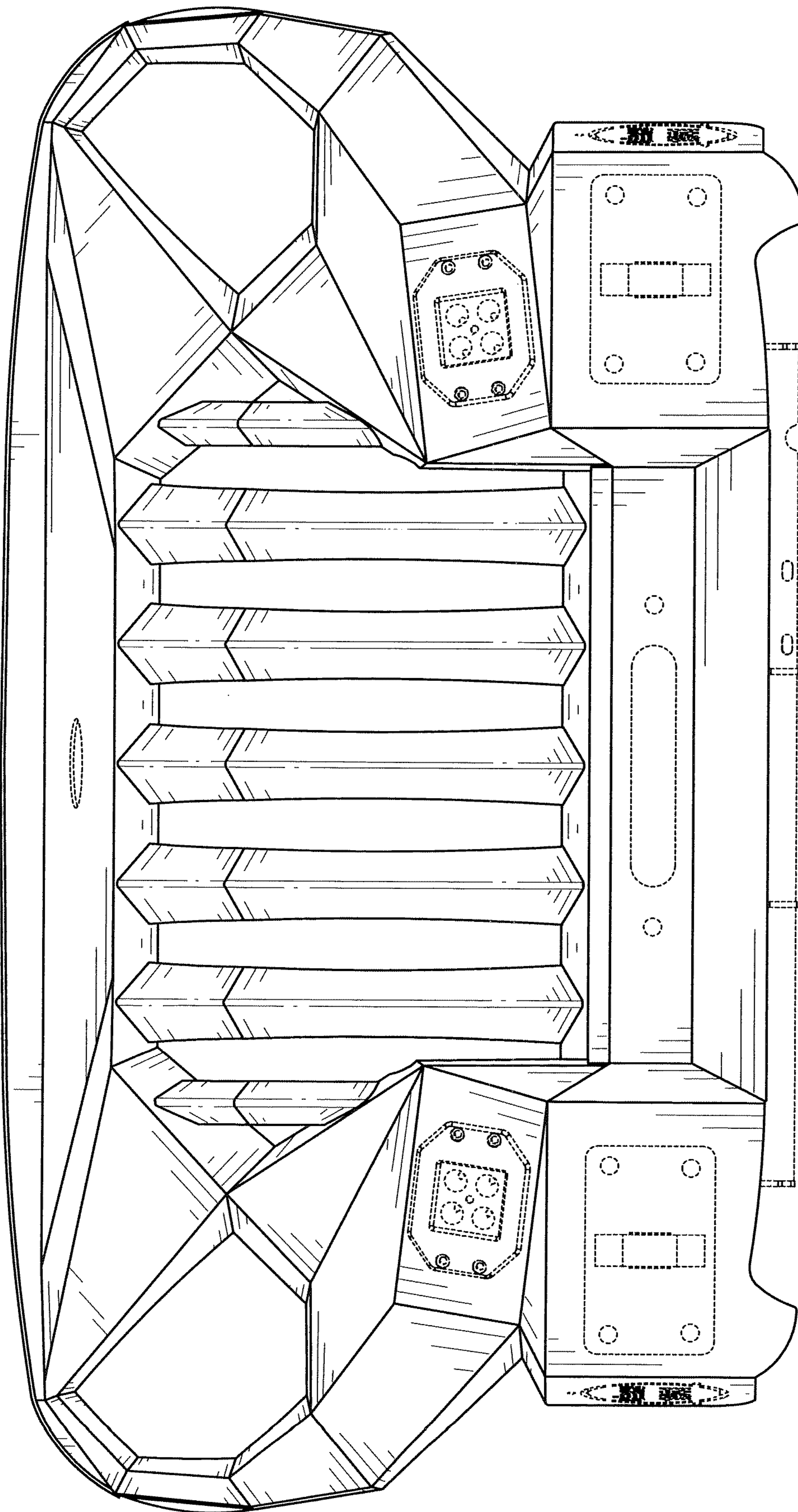


FIG. 3

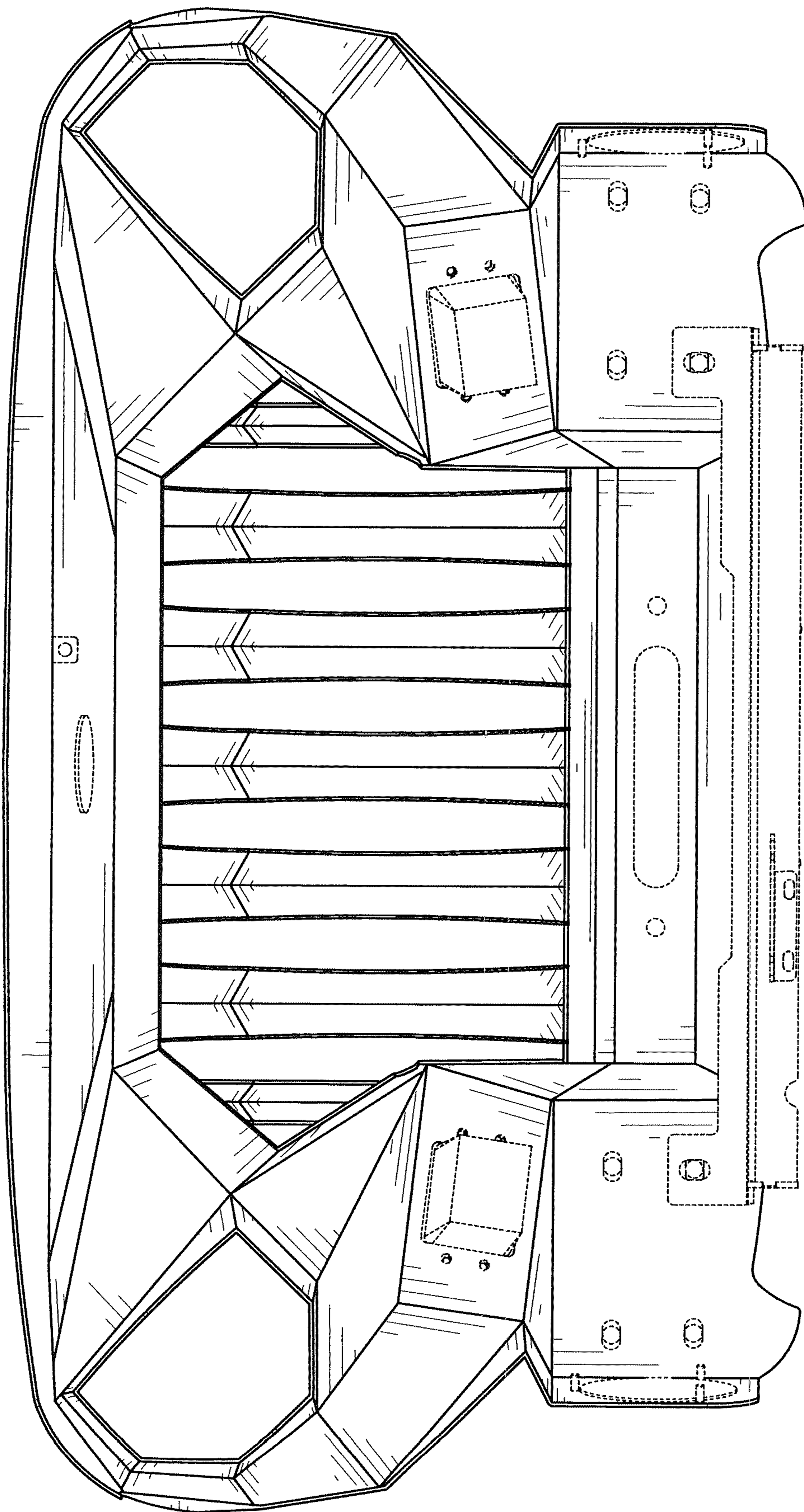


FIG. 4

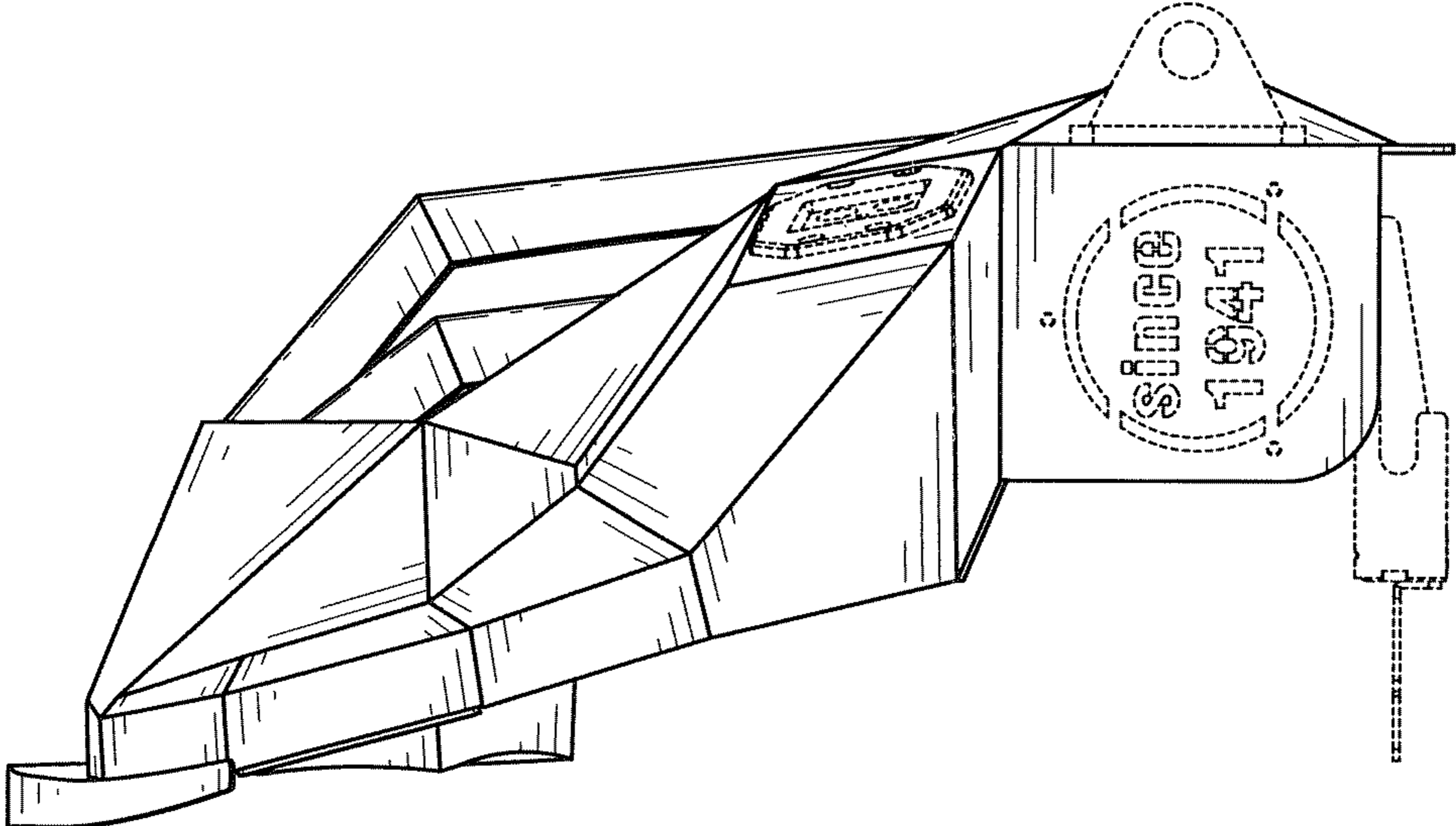


FIG. 5

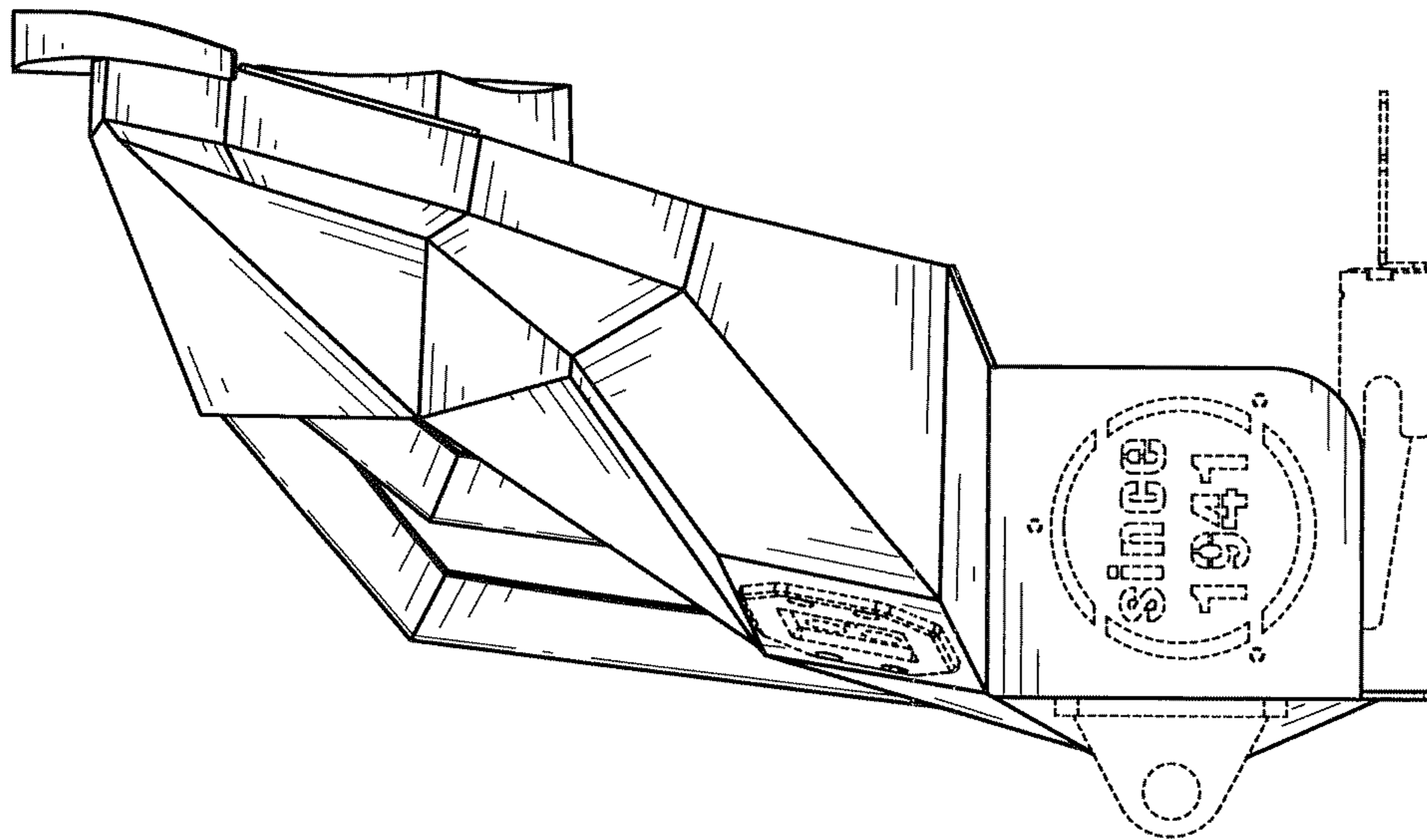


FIG. 6

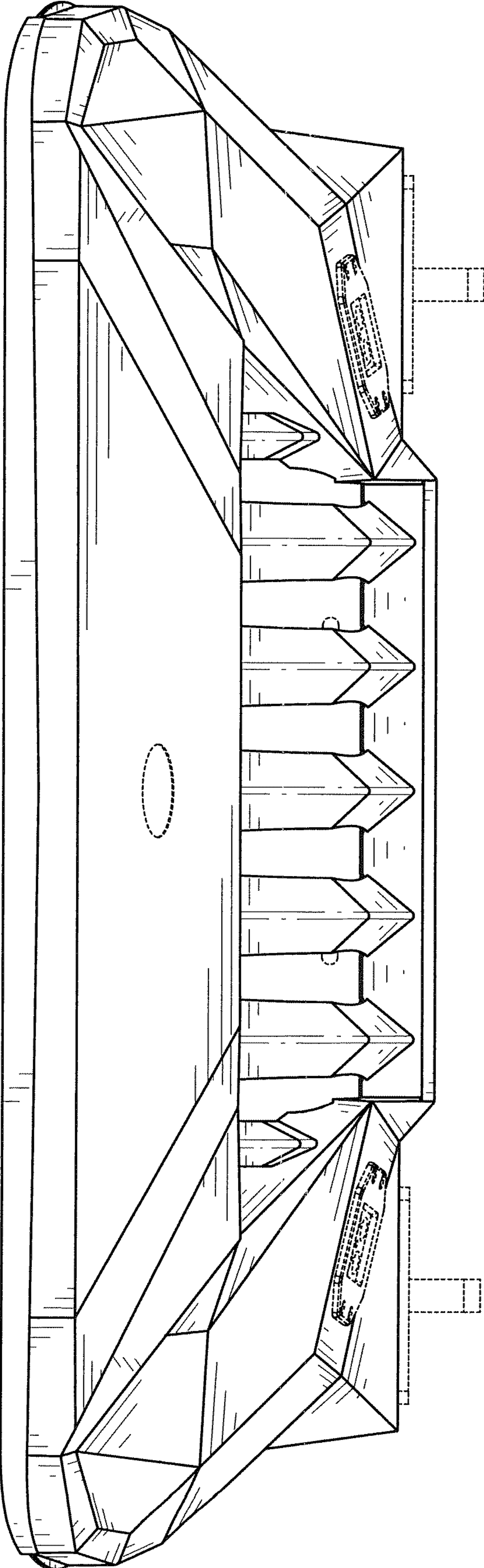


FIG. 7



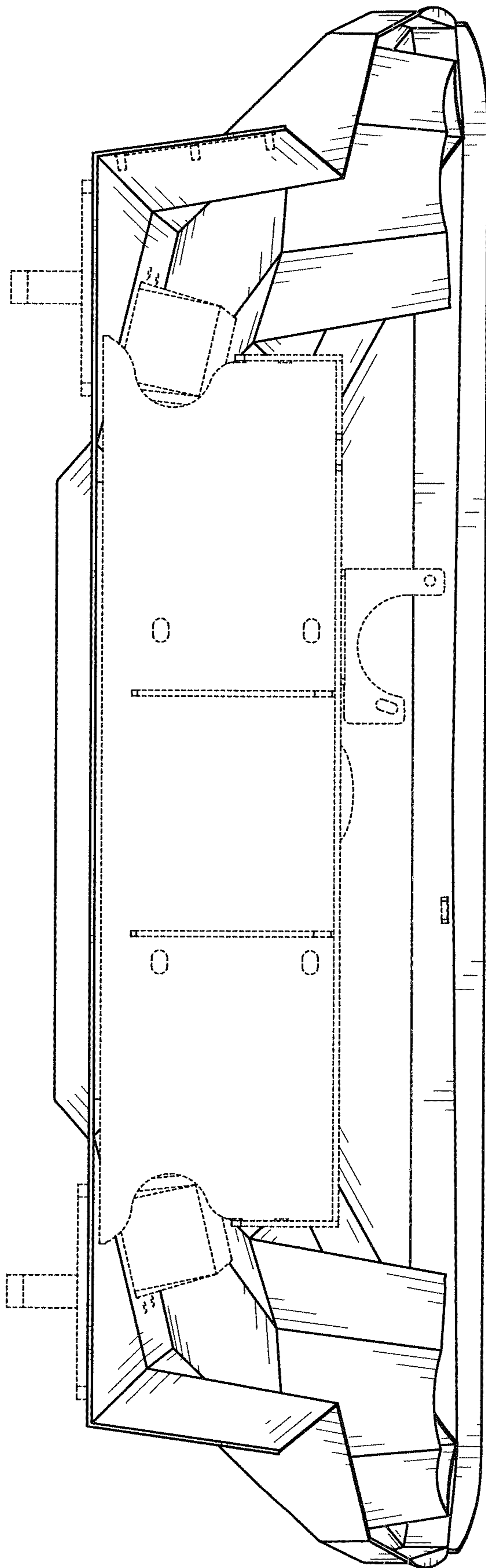


FIG. 8