



US00D913865S

(12) **United States Design Patent**  
**Tanaka et al.**

(10) **Patent No.:** **US D913,865 S**

(45) **Date of Patent:** **\*\* Mar. 23, 2021**

(54) **FRONT GRILL FOR AN AUTOMOBILE**

(71) Applicant: **Subaru Corporation**, Tokyo (JP)

(72) Inventors: **Shigeru Tanaka**, Tokyo (JP); **Kohei Kobayashi**, Tokyo (JP)

(73) Assignee: **Subaru Corporation**, Tokyo (JP)

(\*\*) Term: **15 Years**

(21) Appl. No.: **29/696,043**

(22) Filed: **Jun. 25, 2019**

(30) **Foreign Application Priority Data**

Dec. 25, 2018 (JP) ..... 2018-028278

(51) **LOC (13) Cl.** ..... **12-16**

(52) **U.S. Cl.**  
USPC ..... **D12/163**

(58) **Field of Classification Search**  
USPC ..... D12/163, 196, 86, 90-92, 169, 190, 98,  
D12/164; 293/102, 113, 115, 117, 120,  
293/193.11; 296/180.1, 180.2; 180/68.1,  
180/68.6

CPC ..... B60R 19/52; B60K 11/08; B62D 25/08;  
B62B 9/16

See application file for complete search history.

(56) **References Cited**

U.S. PATENT DOCUMENTS

D430,521 S \* 9/2000 Kitamura ..... D12/163  
D448,329 S \* 9/2001 Maeda ..... D12/163  
D461,751 S \* 8/2002 Suzuki ..... D12/163  
D464,296 S \* 10/2002 Nemoto ..... D12/163

D483,705 S \* 12/2003 Satou ..... D12/163  
D505,099 S \* 5/2005 Suzuki ..... D12/163  
D509,170 S \* 9/2005 Saito ..... D12/163  
D511,721 S \* 11/2005 Neuchi ..... D12/163  
D518,422 S \* 4/2006 Nakamura ..... D12/163  
D519,890 S \* 5/2006 Sakae ..... D12/163  
D525,570 S \* 7/2006 Sugiura ..... D12/163  
D534,104 S \* 12/2006 Miyata ..... D12/163  
D535,224 S \* 1/2007 Kubota ..... D12/163  
D535,590 S \* 1/2007 Hogios ..... D12/163  
D538,716 S \* 3/2007 Hogios ..... D12/163  
D562,192 S \* 2/2008 Kushima ..... D12/163  
D723,433 S \* 3/2015 George ..... D12/163  
D725,004 S \* 3/2015 Kobayashi ..... D12/163  
D809,438 S \* 2/2018 Takamatsu ..... D12/163  
D853,286 S \* 7/2019 Imai ..... D12/163  
D885,999 S \* 6/2020 Hamilton ..... D12/163

\* cited by examiner

*Primary Examiner* — Melody N Brown

(74) *Attorney, Agent, or Firm* — Schiff Hardin LLP

(57) **CLAIM**

We claim the ornamental design for a front grill for an automobile, as shown and described.

**DESCRIPTION**

FIG. 1 is a front perspective view for a “front grill for an automobile” showing our new design, FIG. 2 is a rear perspective view thereof, FIG. 3 is a front view thereof, FIG. 4 is a rear view thereof, FIG. 5 is a top view thereof, FIG. 6 is a bottom view thereof, FIG. 7 is a left-side view thereof; and, FIG. 8 is a right-side view thereof.

**1 Claim, 3 Drawing Sheets**

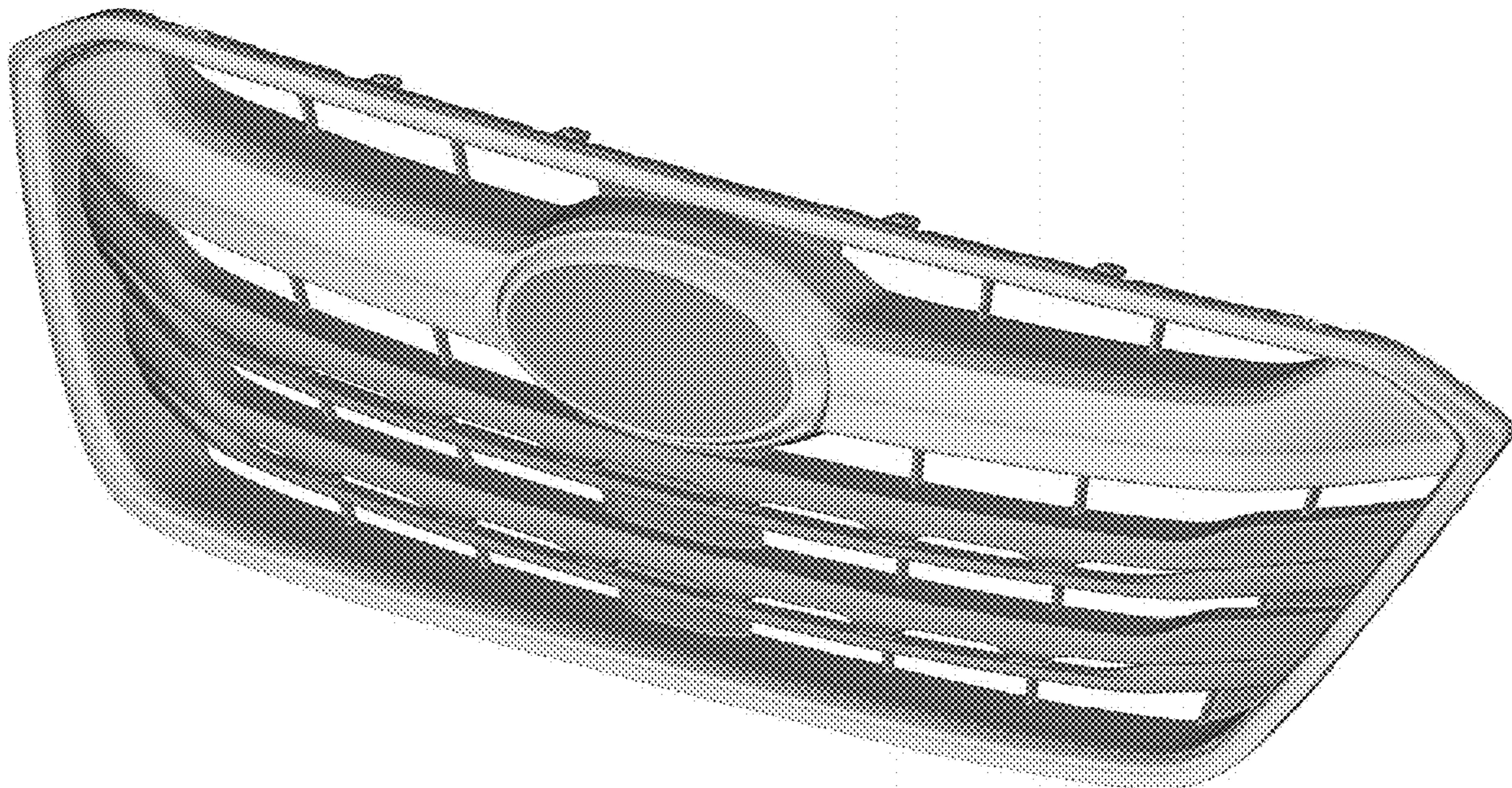


Fig. 1

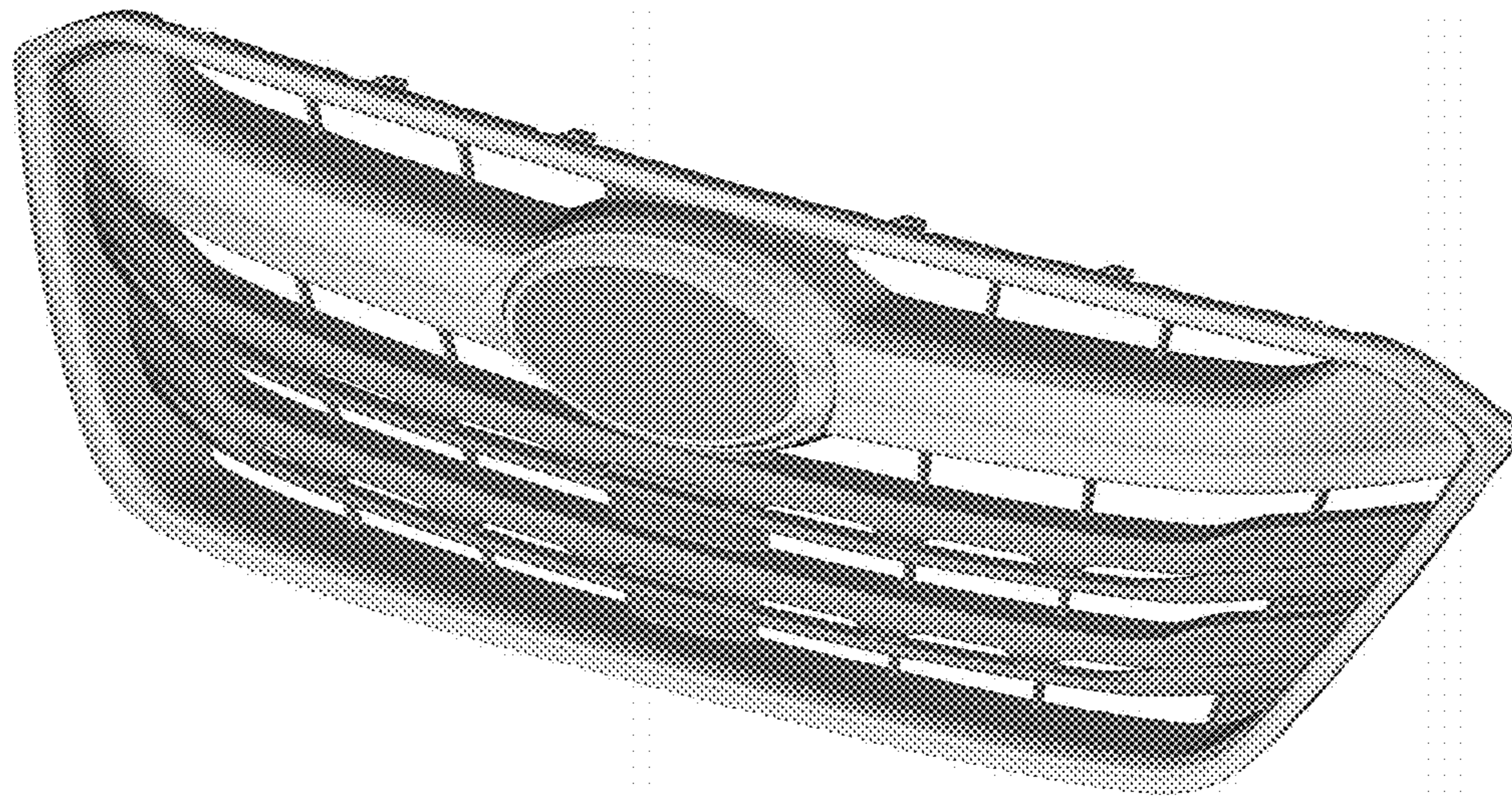


Fig. 2

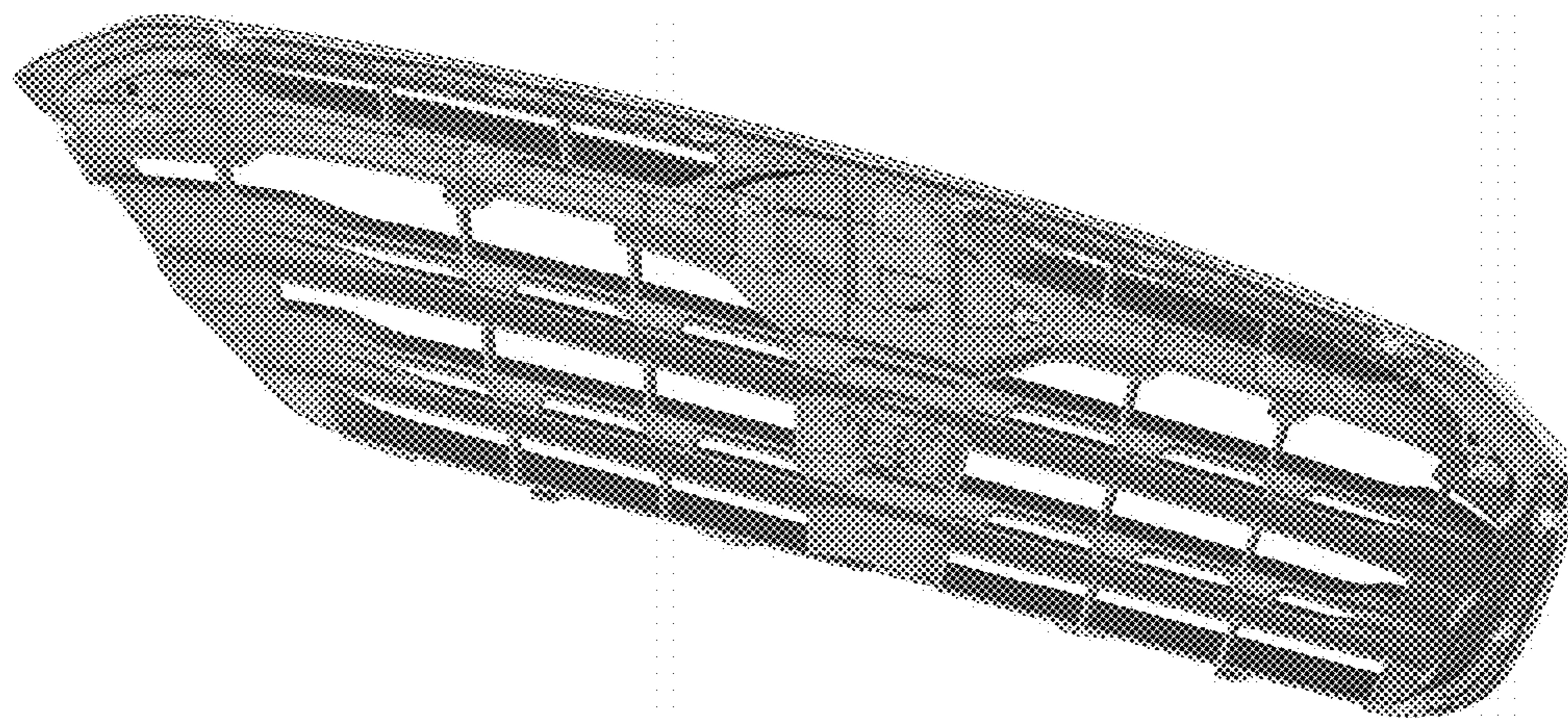


Fig. 3

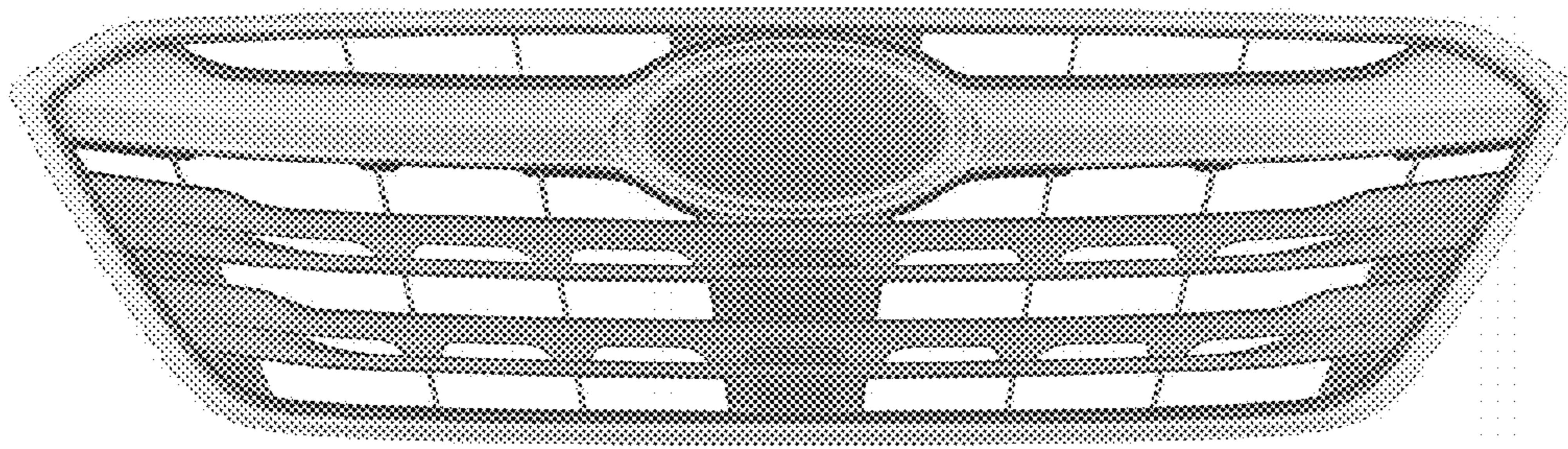


Fig. 4

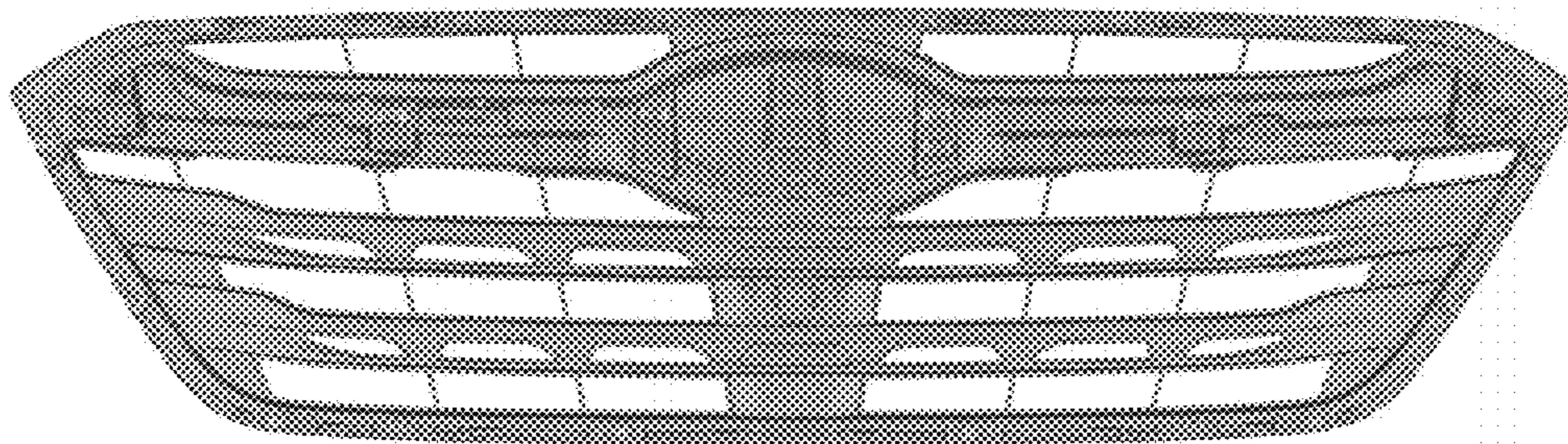


Fig. 5

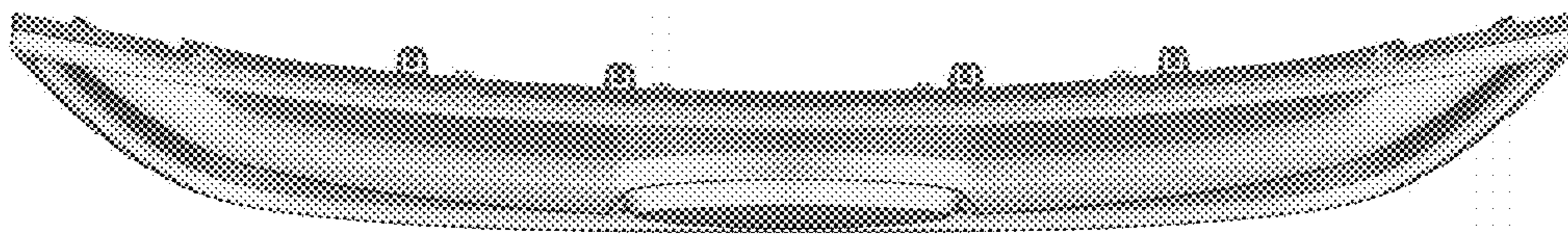


Fig. 6

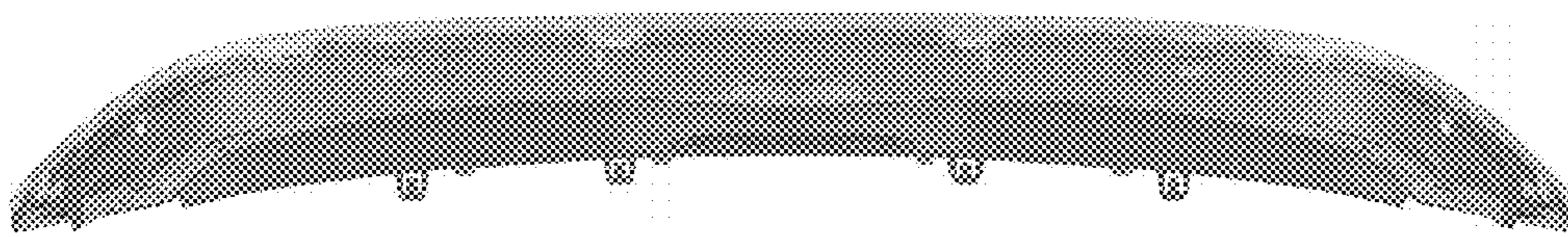


Fig. 7



Fig. 8

