



US00D913863S

(12) **United States Design Patent** (10) **Patent No.:** **US D913,863 S**  
**Works** (45) **Date of Patent:** **\*\* Mar. 23, 2021**

(54) **DROP BAR FOR A TRAILER HITCH**

D847,698 S \* 5/2019 Moore ..... D12/162  
D862,308 S \* 10/2019 Siegel ..... D12/162  
D894,800 S \* 9/2020 Noel ..... D12/162  
2017/0087947 A1\* 3/2017 Moore ..... B60D 1/583

(71) Applicant: **B & W Custom Truck Beds, Inc.**,  
Humboldt, KS (US)

(72) Inventor: **Joseph W. Works**, Humboldt, KS (US)

(73) Assignee: **B & W CUSTOM TRUCK BEDS, INC.**, Humboldt, KS (US)

(\*\*) Term: **15 Years**

(21) Appl. No.: **29/722,728**

(22) Filed: **Jan. 31, 2020**

(51) **LOC (13) Cl.** ..... **12-16**

(52) **U.S. Cl.**  
USPC ..... **D12/162**

(58) **Field of Classification Search**  
USPC ..... D12/159, 160, 161, 162  
CPC . B60D 1/60; B60D 1/065; B60D 1/00; B60D  
1/06; B60D 1/36

See application file for complete search history.

(56) **References Cited**

**U.S. PATENT DOCUMENTS**

5,697,630	A *	12/1997	Thompson	.....	B60D 1/363 280/477
6,460,870	B2	10/2002	Moss		
6,712,381	B1	3/2004	Moss		
6,789,815	B2	9/2004	Moss		
D503,131	S *	3/2005	Underwood	.....	D12/162
6,974,148	B2	12/2005	Moss et al.		
7,004,492	B2	2/2006	Moss et al.		
7,029,022	B2	4/2006	Moss		
7,125,036	B2	10/2006	Moss et al.		
7,204,505	B2	4/2007	Moss		
D563,838	S *	3/2008	McCowan	.....	D12/162
7,819,416	B2	10/2010	Moss		
D687,353	S *	8/2013	Dunn	.....	D12/162
D729,703	S *	5/2015	Song	.....	D12/162
D841,526	S *	2/2019	Siegel	.....	D12/162

**OTHER PUBLICATIONS**

Cequent Hitch Drop Bar photos; On sale prior to filing date of present application.

(Continued)

*Primary Examiner* — Katrina A Betton

(74) *Attorney, Agent, or Firm* — Erickson Kernell IP, LLC; Kent R. Erickson

(57) **CLAIM**

The ornamental design for a drop bar for a trailer hitch, as shown and described.

**DESCRIPTION**

FIG. 1 is a front perspective view of a drop bar for a trailer hitch showing my new design in solid lines and showing in phantom lines an example of a hitch ball assembly securable to the drop bar to show the environment in which the design is associated;

FIG. 2 is a front perspective view of a drop bar for a trailer hitch as shown in FIG. 1;

FIG. 3 is a rear perspective view thereof;

FIG. 4 is a left-side, elevational view thereof, the right side being a mirror image thereof;

FIG. 5 is a rear, elevational view thereof;

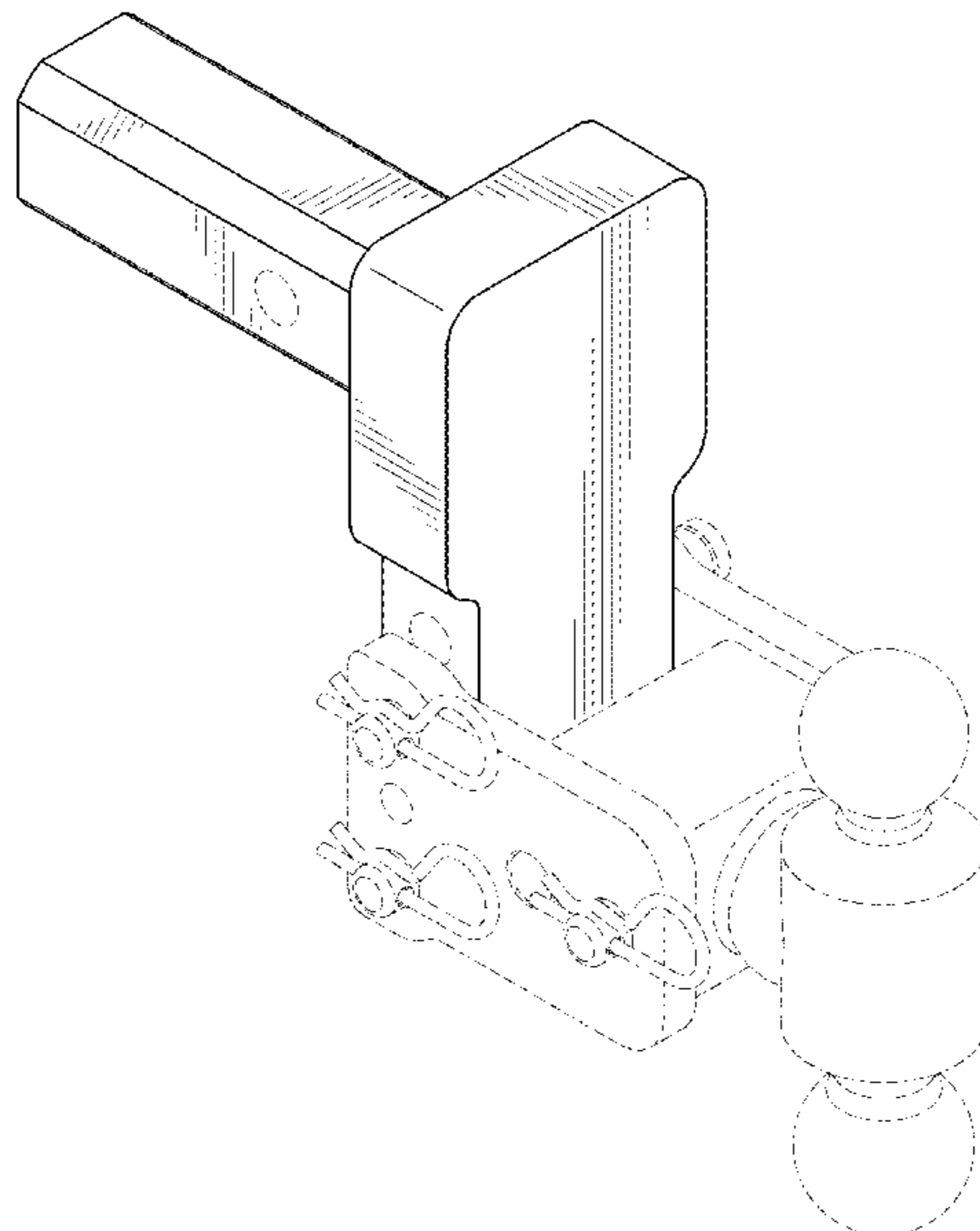
FIG. 6 is a front elevational view thereof;

FIG. 7 is a top, plan view thereof; and,

FIG. 8 is a bottom, plan view thereof.

The broken lines shown in the drawings illustrate portions of the drop bar for a trailer hitch that form no part of the claim.

**1 Claim, 5 Drawing Sheets**



(56)

**References Cited**

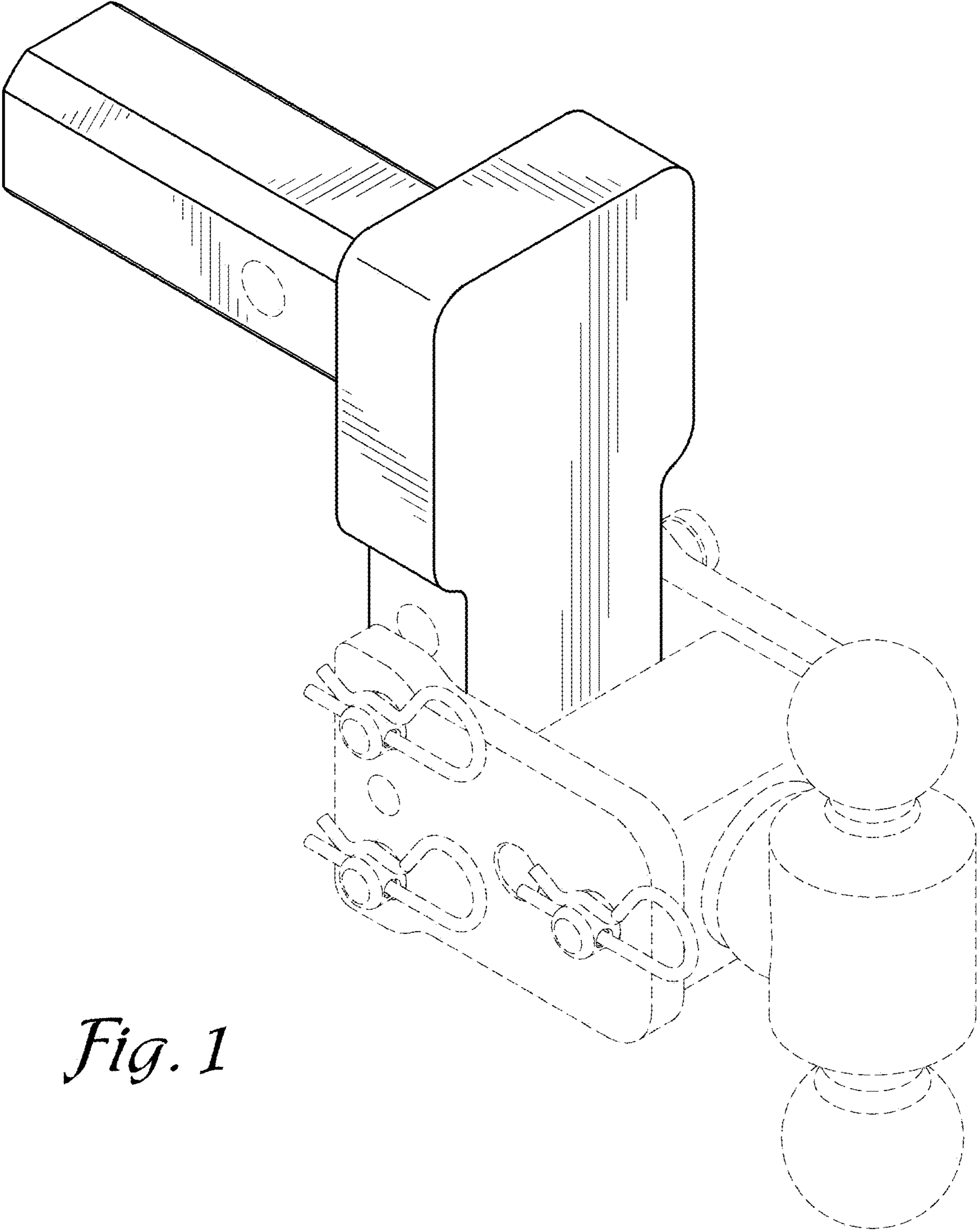
OTHER PUBLICATIONS

Husky Liners Drop Bar photos; On sale prior to filing date of present application.

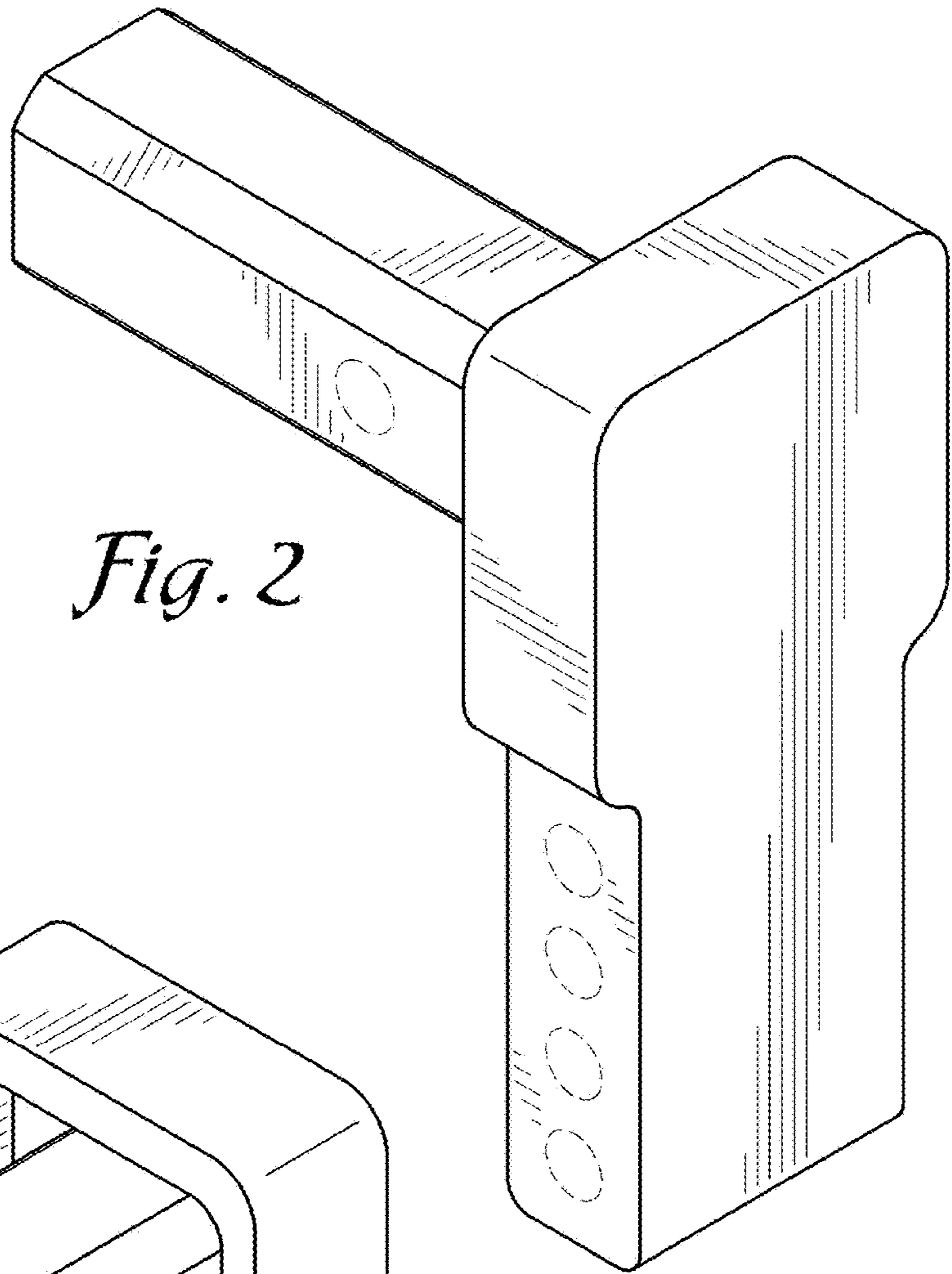
Fastway Trailer Products Drop Bar photos; On sale prior to filing date of present application.

B & W Trailer Hitches Drop Bar photos; On sale prior to filing date of present application.

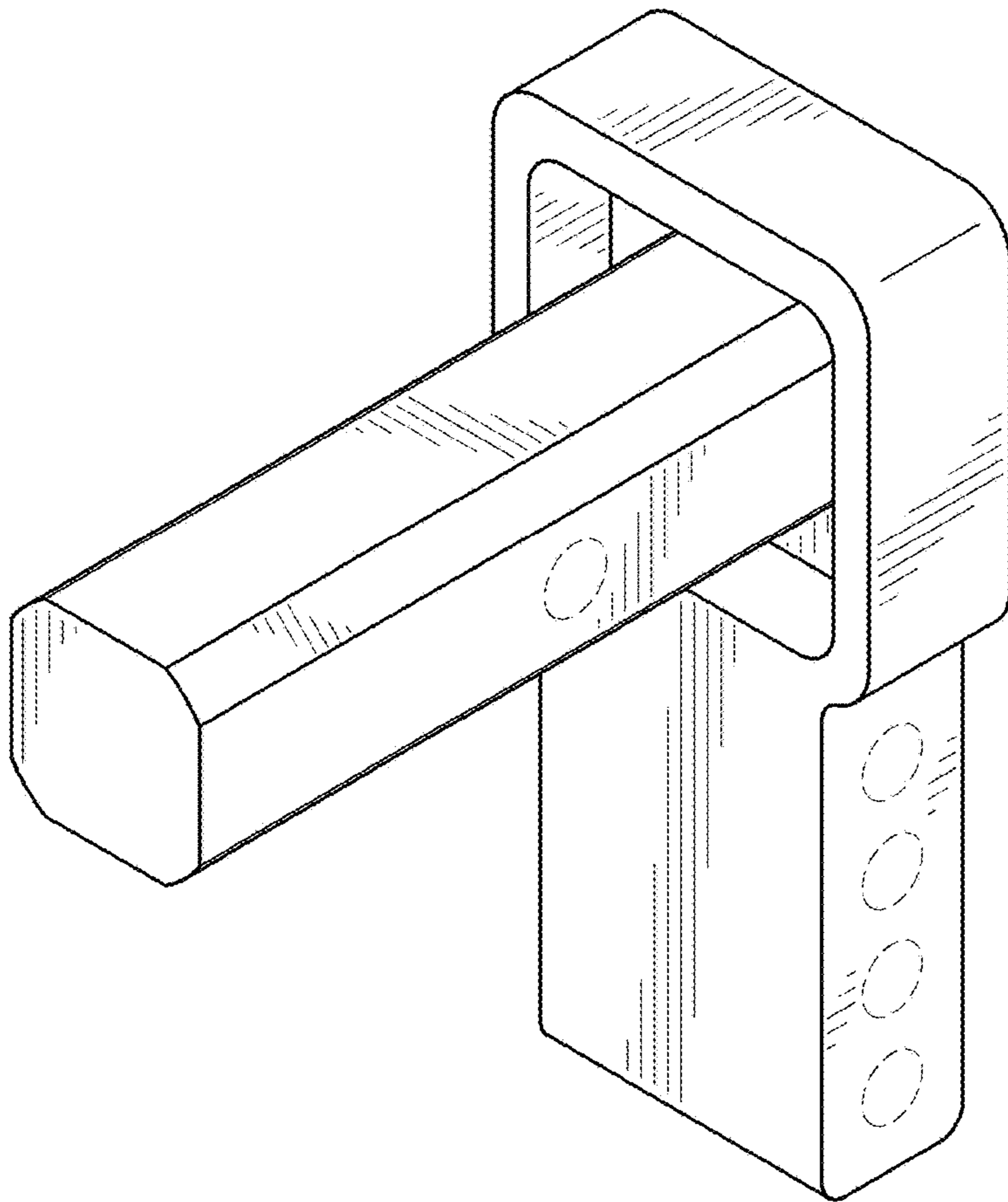
\* cited by examiner



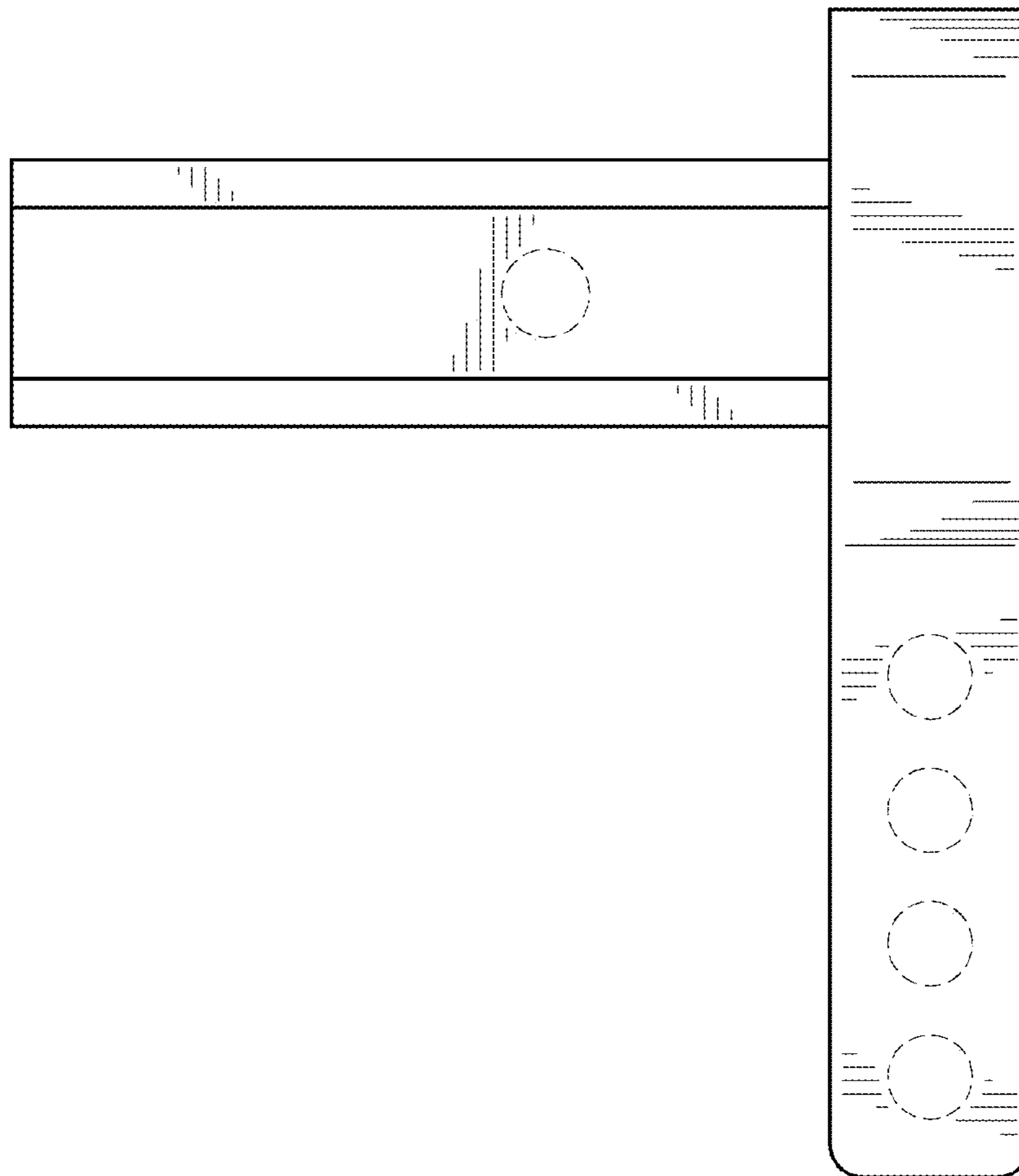
*Fig. 1*



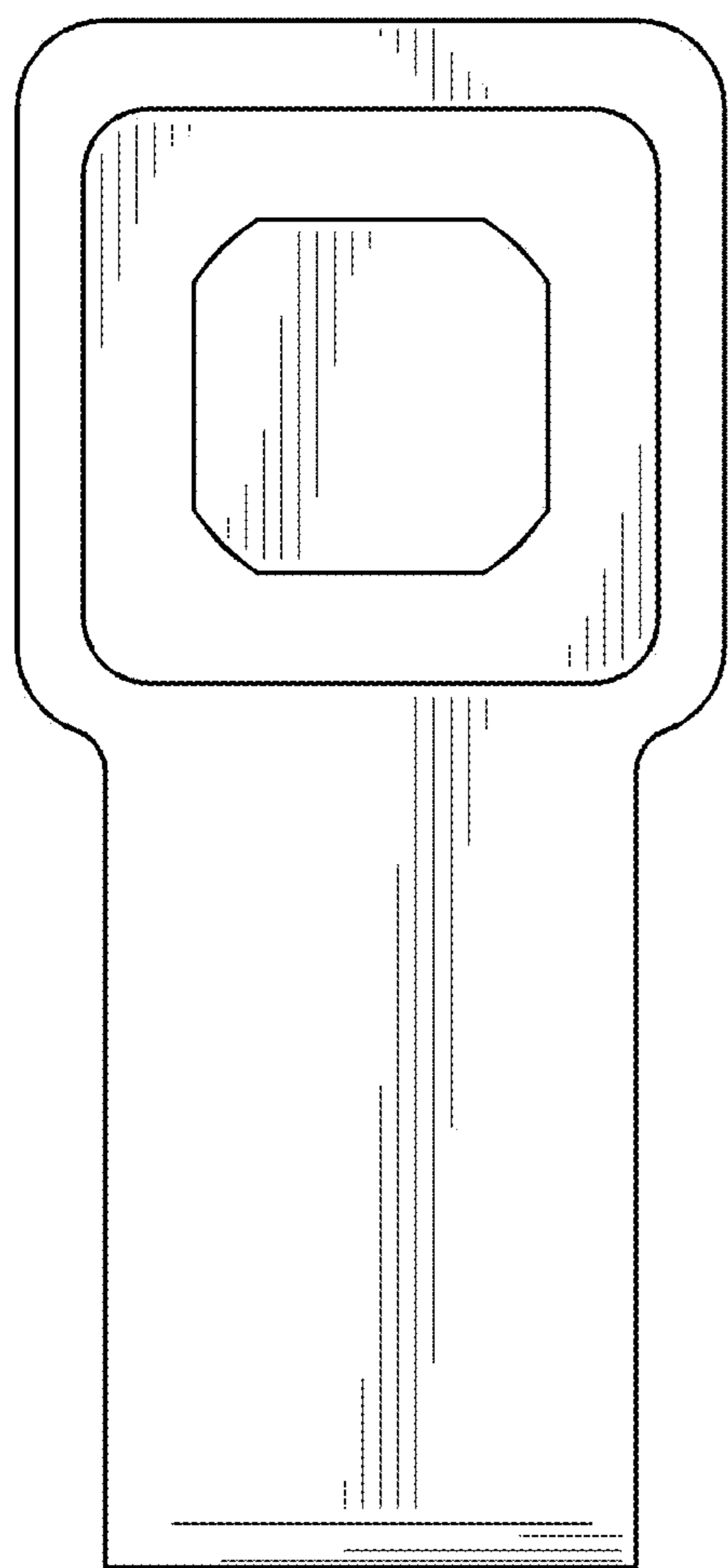
*Fig. 2*



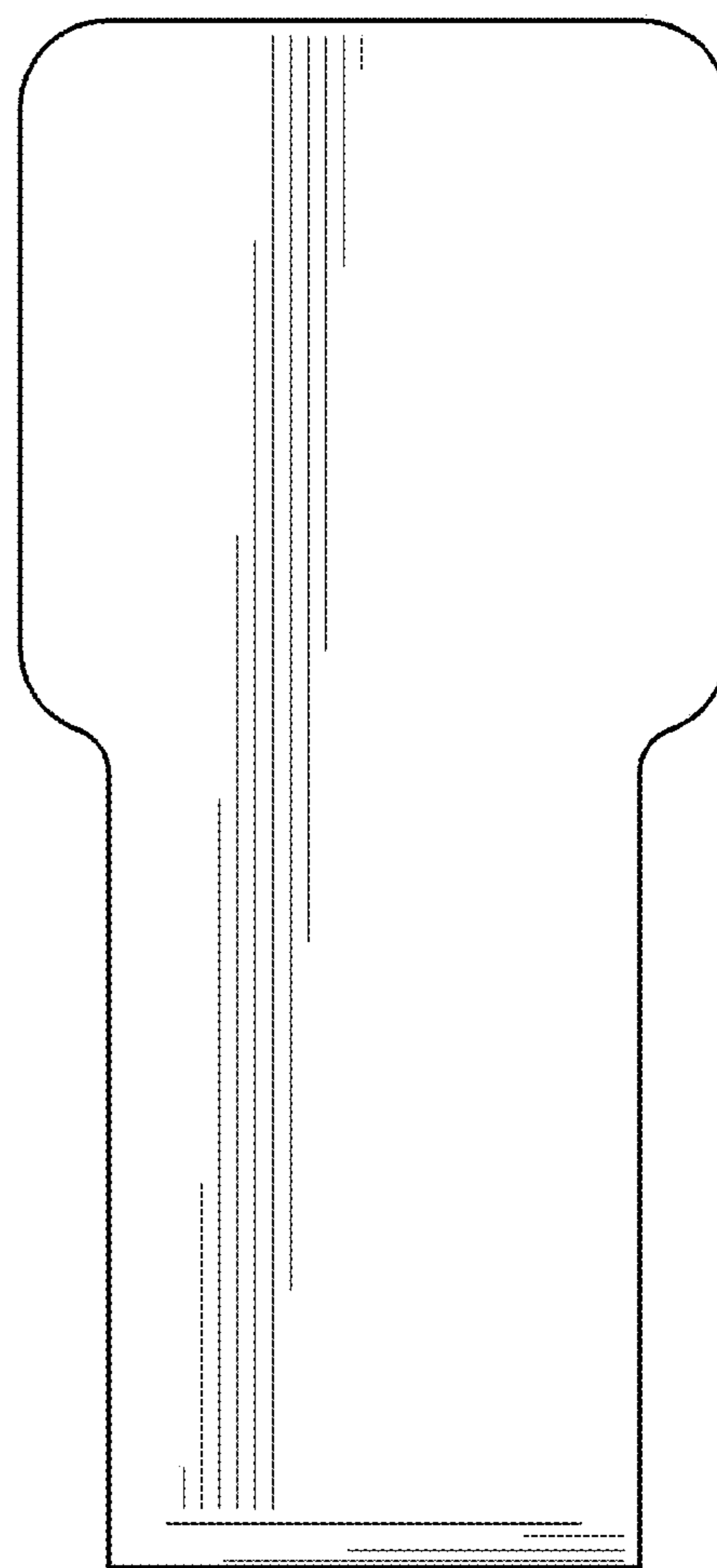
*Fig. 3*



*Fig. 4*

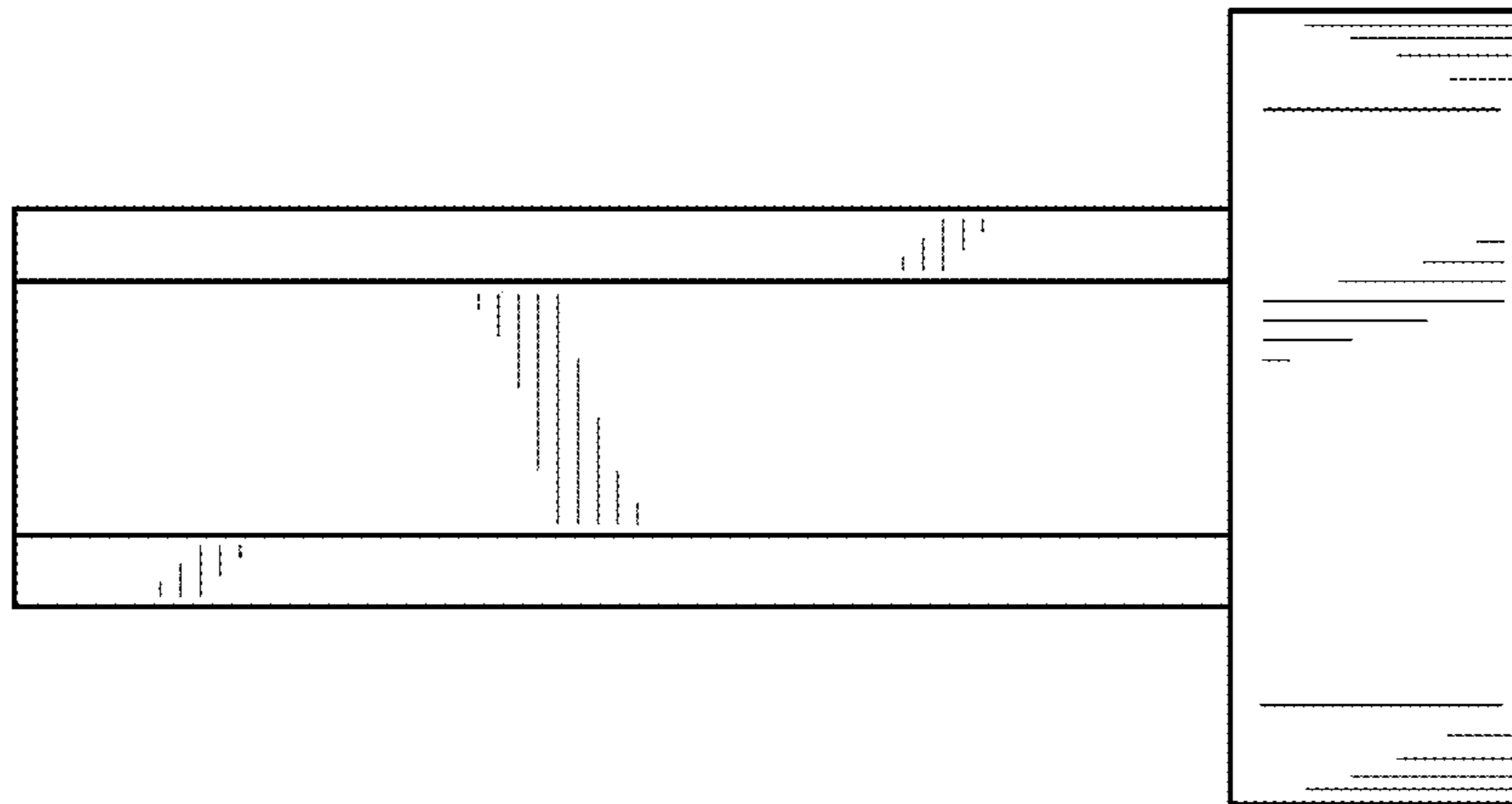


*Fig. 5*

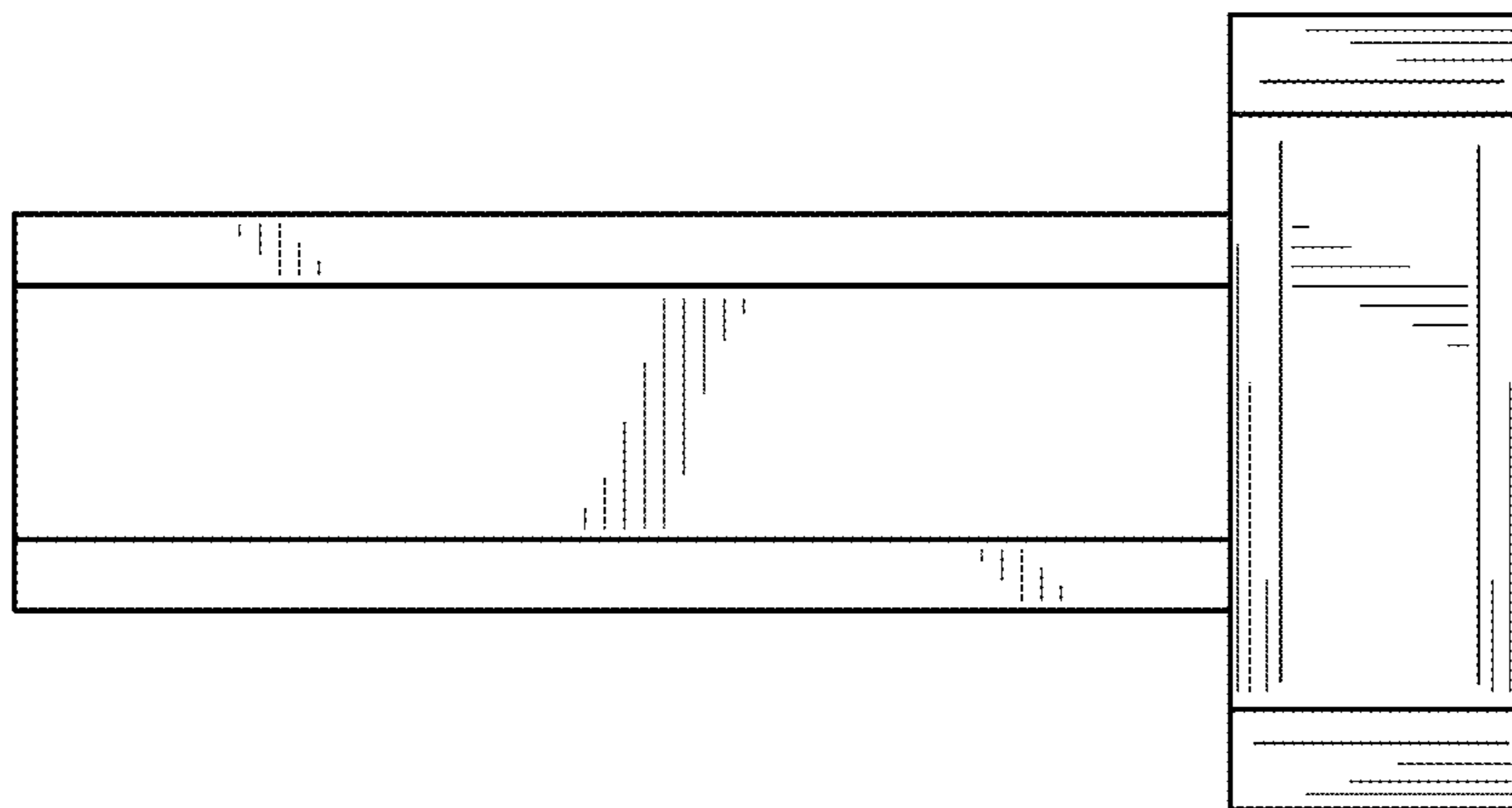


*Fig. 6*





*Fig. 7*



*Fig. 8*