



US00D913861S

(12) **United States Design Patent** (10) **Patent No.:** **US D913,861 S**
McCall (45) **Date of Patent:** **** Mar. 23, 2021**

(54) **DROP BAR FOR A TRAILER HITCH**

D847,698 S * 5/2019 Moore D12/162
D862,308 S * 10/2019 Siegel D12/162
D894,800 S * 9/2020 Noel D12/162
2017/0087947 A1* 3/2017 Moore B60D 1/583

(71) Applicant: **B & W Custom Truck Beds, Inc.**,
Humboldt, KS (US)

(72) Inventor: **Travis M. McCall**, Humboldt, KS (US)

(73) Assignee: **B & W CUSTOM TRUCK BEDS, INC.**, Humboldt, KS (US)

(**) Term: **15 Years**

(21) Appl. No.: **29/711,151**

(22) Filed: **Oct. 29, 2019**

(51) **LOC (13) Cl.** **12-16**

(52) **U.S. Cl.**
USPC **D12/162**

(58) **Field of Classification Search**
USPC D12/159, 160, 161, 162
CPC . B60D 1/60; B60D 1/065; B60D 1/00; B60D
1/06; B60D 1/36

See application file for complete search history.

(56) **References Cited**

U.S. PATENT DOCUMENTS

5,697,630	A *	12/1997	Thompson	B60D 1/363 280/477
6,460,870	B2	10/2002	Moss		
6,712,381	B1	3/2004	Moss		
6,789,815	B2	9/2004	Moss		
D503,131	S *	3/2005	Underwood	D12/162
6,974,148	B2	12/2005	Moss et al.		
7,004,492	B2	2/2006	Moss et al.		
7,029,022	B2	4/2006	Moss		
7,125,036	B2	10/2006	Moss et al.		
7,204,505	B2	4/2007	Moss		
D563,838	S *	3/2008	McCowan	D12/162
7,819,416	B2	10/2010	Moss		
D687,353	S *	8/2013	Dunn	D12/162
D729,703	S *	5/2015	Song	D12/162
D841,526	S *	2/2019	Siegel	D12/162

OTHER PUBLICATIONS

Cequent Hitch Drop Bar photos; On sale prior to filing date of present application Sep. 1, 2018.

(Continued)

Primary Examiner — Katrina A Betton

(74) *Attorney, Agent, or Firm* — Erickson Kernell IP, LLC; Kent R. Erickson

(57) **CLAIM**

The ornamental design for a drop bar for a trailer hitch, as shown and described.

DESCRIPTION

FIG. 1 is a front perspective view of a drop bar for a trailer hitch showing my new design in solid lines and showing in phantom lines an example of a hitch ball assembly securable to the drop bar to show the environment in which the design is associated;

FIG. 2 is a front perspective view of a drop bar for a trailer hitch as shown in FIG. 1;

FIG. 3 is a rear perspective view thereof;

FIG. 4 is a left-side, elevational view thereof, the right side being a mirror image thereof;

FIG. 5 is a rear, elevational view thereof;

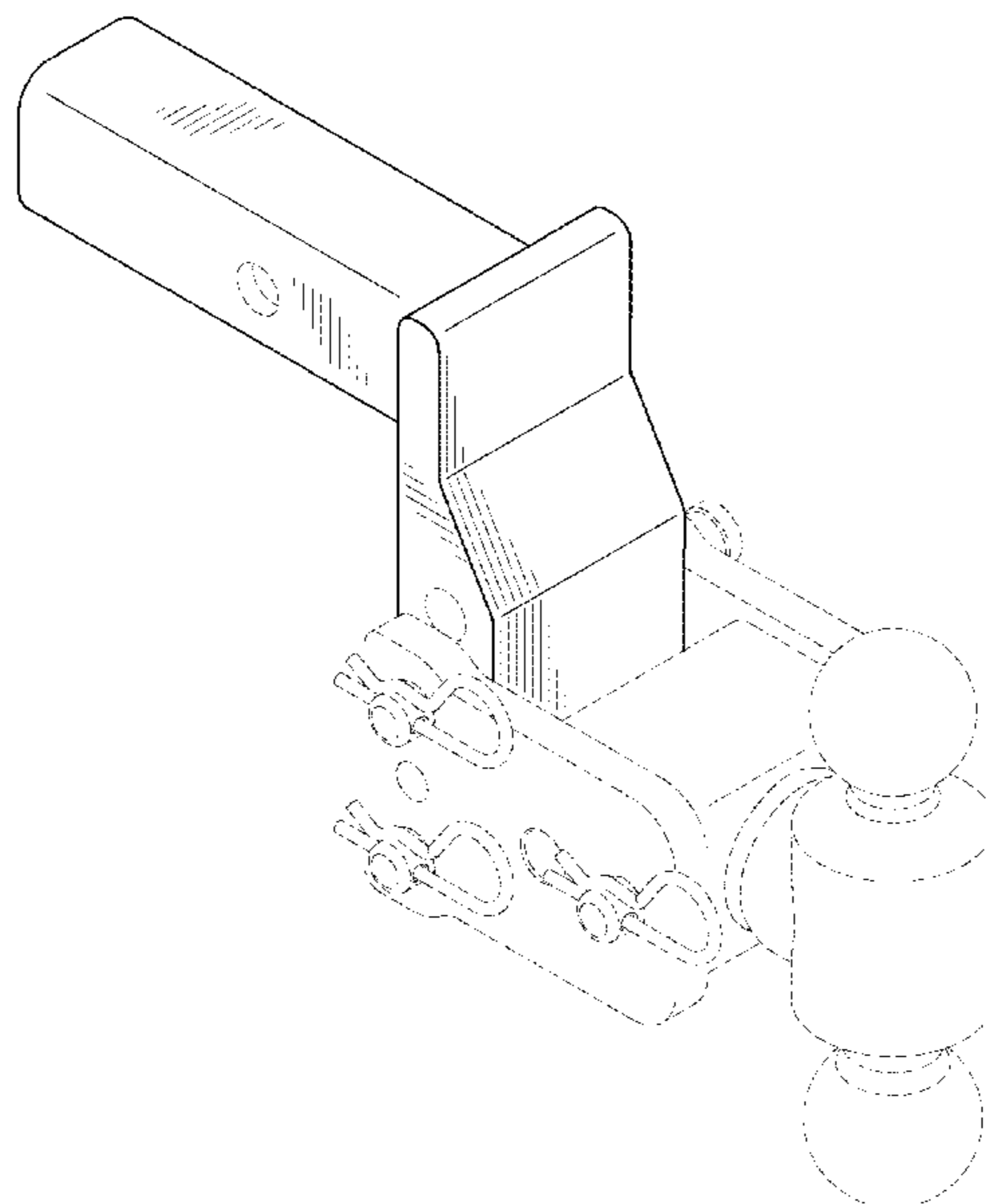
FIG. 6 is a front elevational view thereof;

FIG. 7 is a top, plan view thereof; and,

FIG. 8 is a bottom, plan view thereof.

The broken lines shown in the drawings illustrate portions of the drop bar for a trailer hitch that form no part of the claim.

1 Claim, 5 Drawing Sheets



(56)

References Cited

OTHER PUBLICATIONS

Husky Liners Drop Bar photos; On sale prior to filing date of present application Sep. 1, 2018.

Fastway Trailer Products Drop Bar photos; On sale prior to filing date of present application Sep. 1, 2018.

B & W Trailer Hitches Drop Bar photos; On sale prior to filing date of present application Sep. 1, 2018.

* cited by examiner

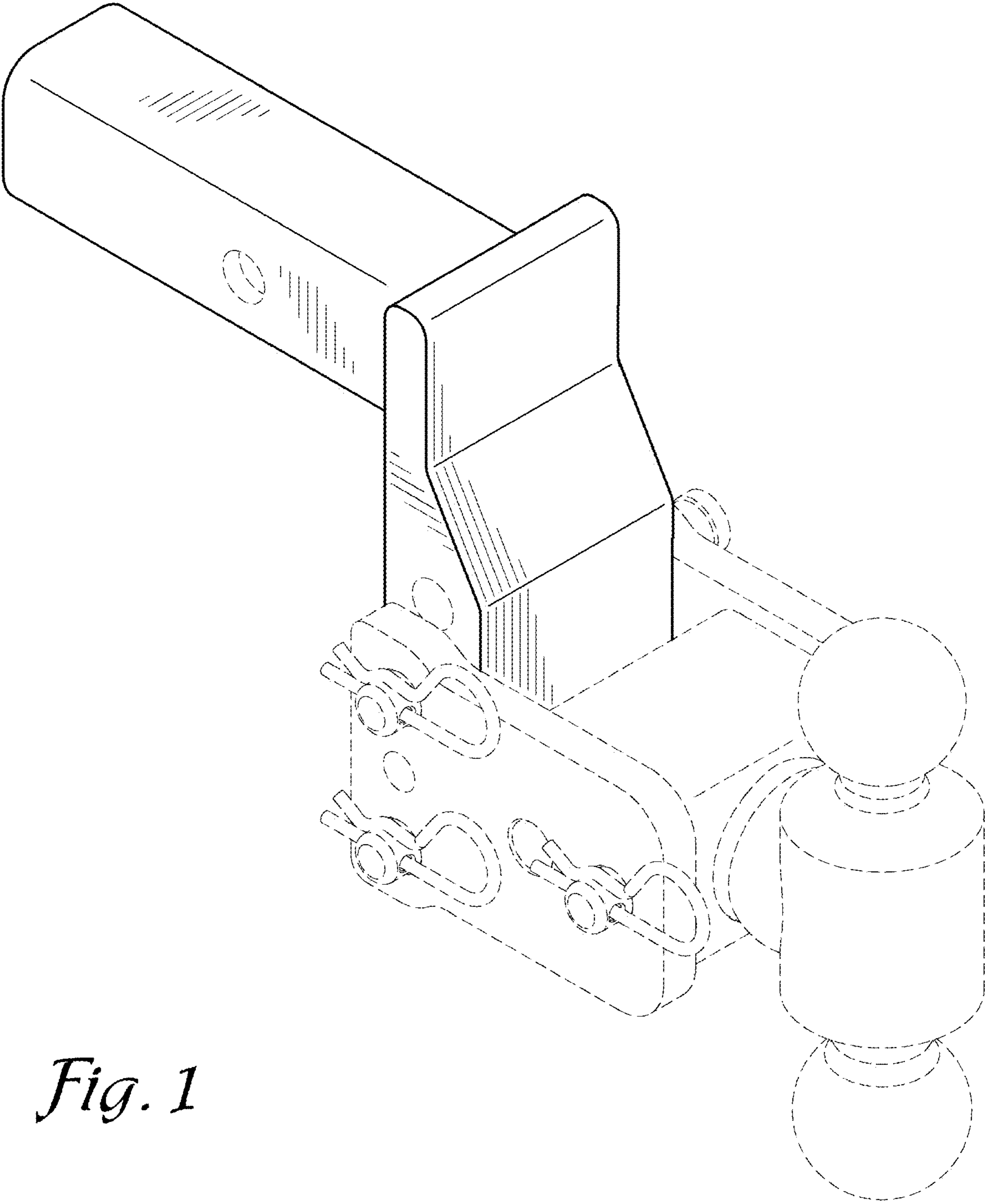


Fig. 1

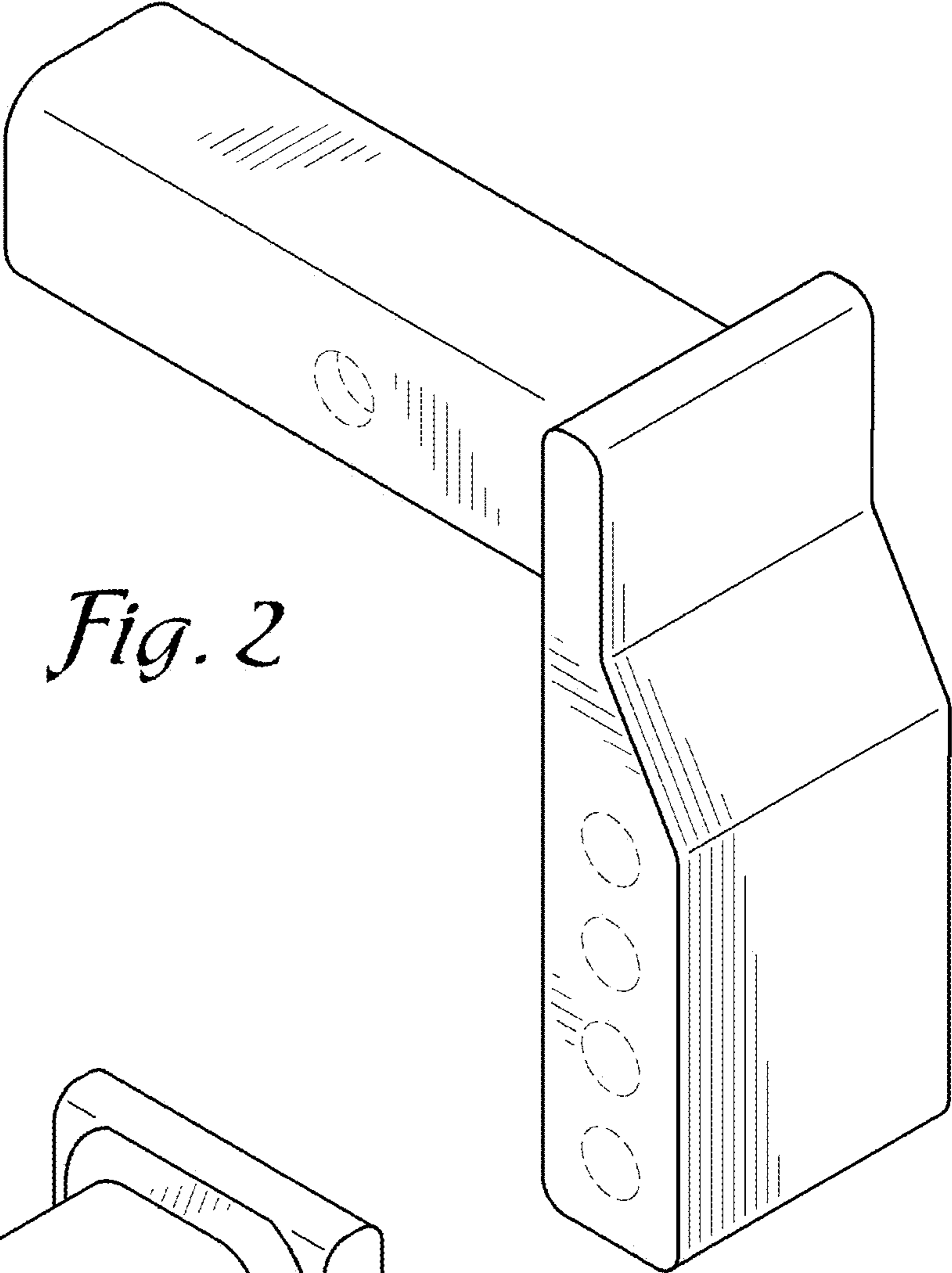


Fig. 2

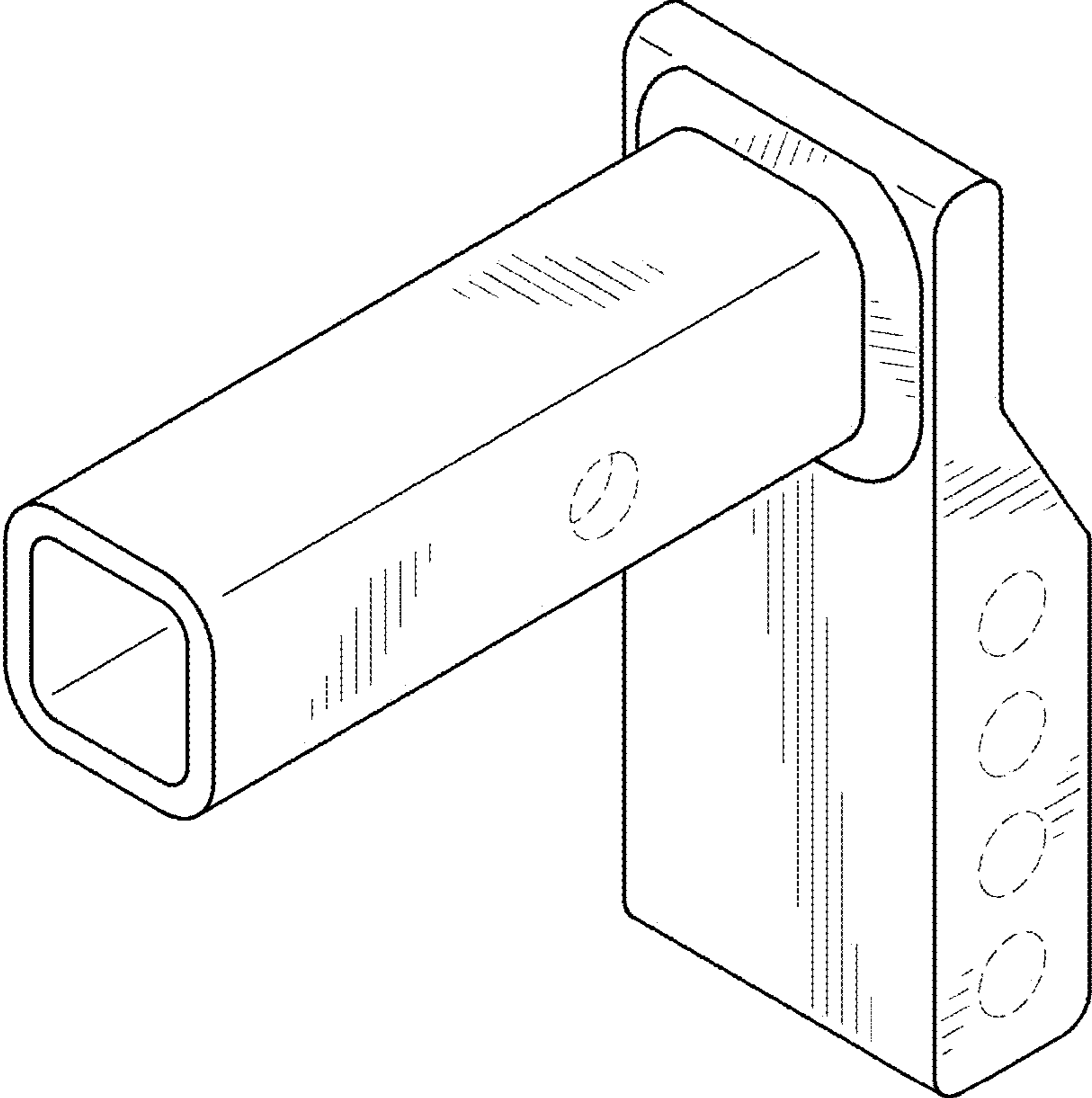


Fig. 3

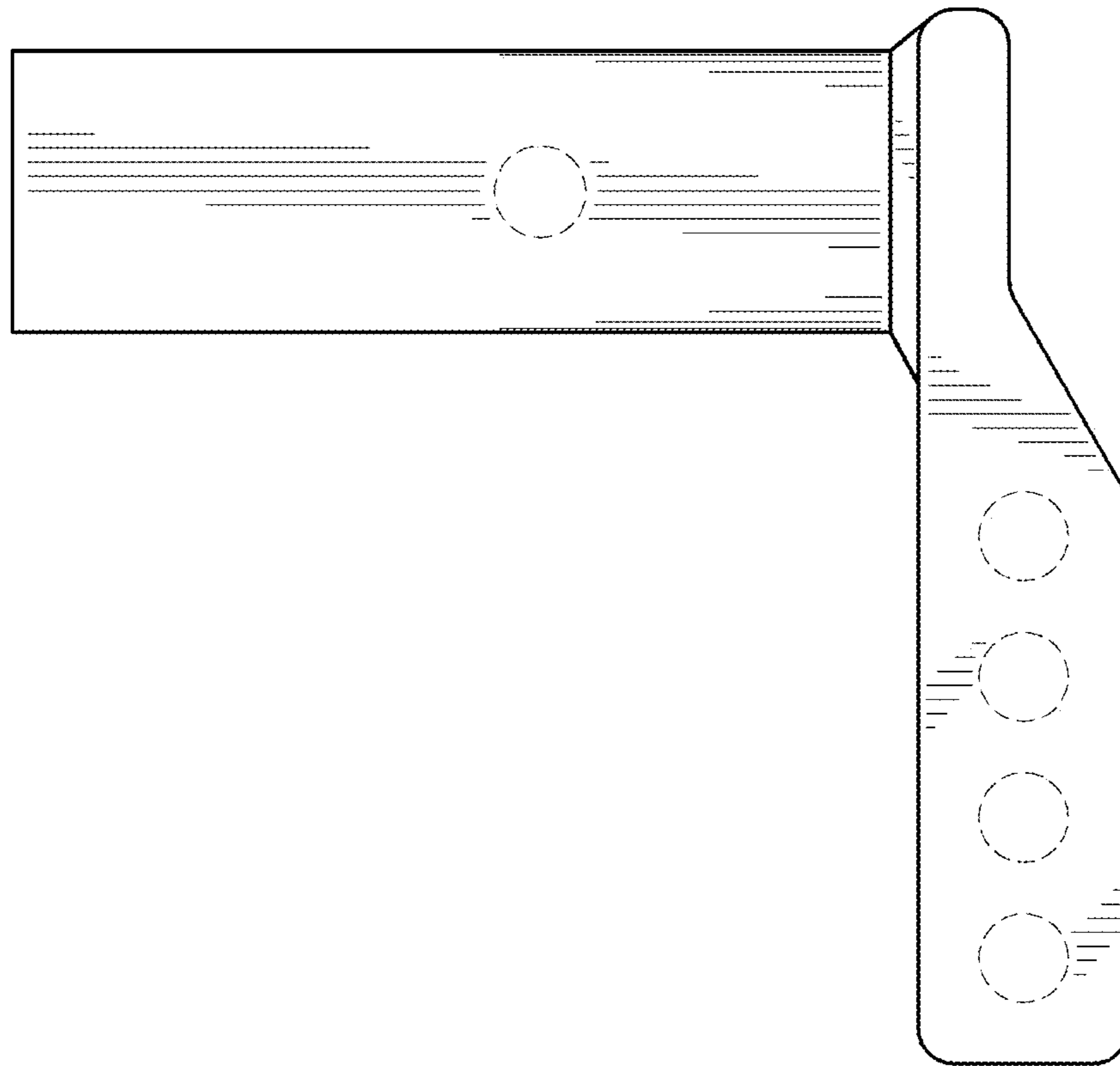


Fig. 4

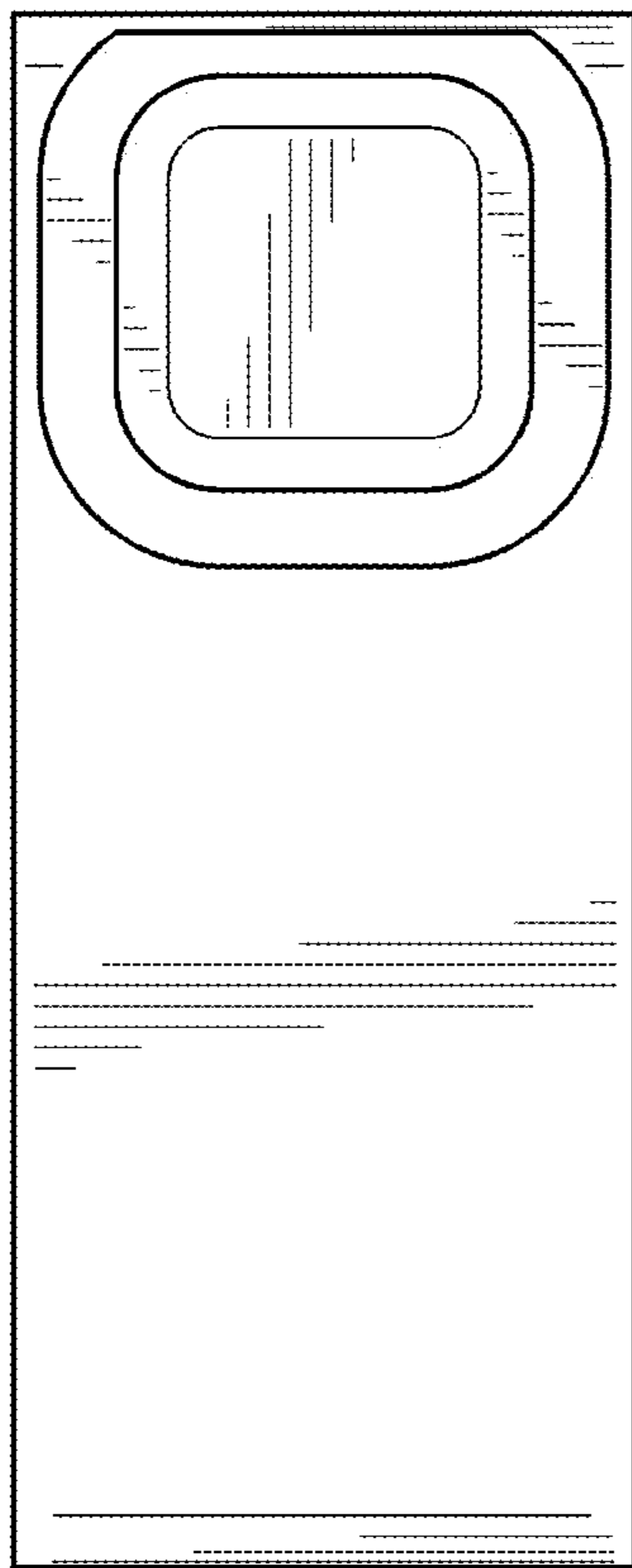


Fig. 5

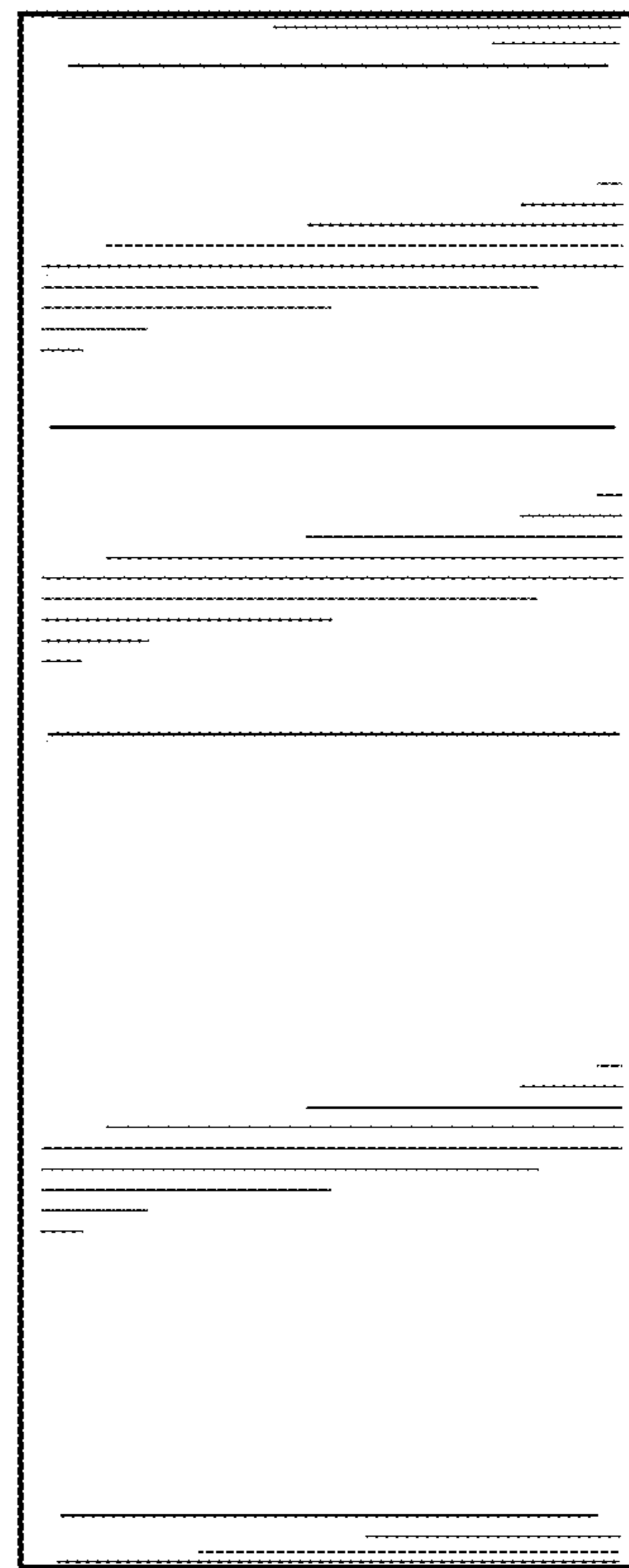


Fig. 6

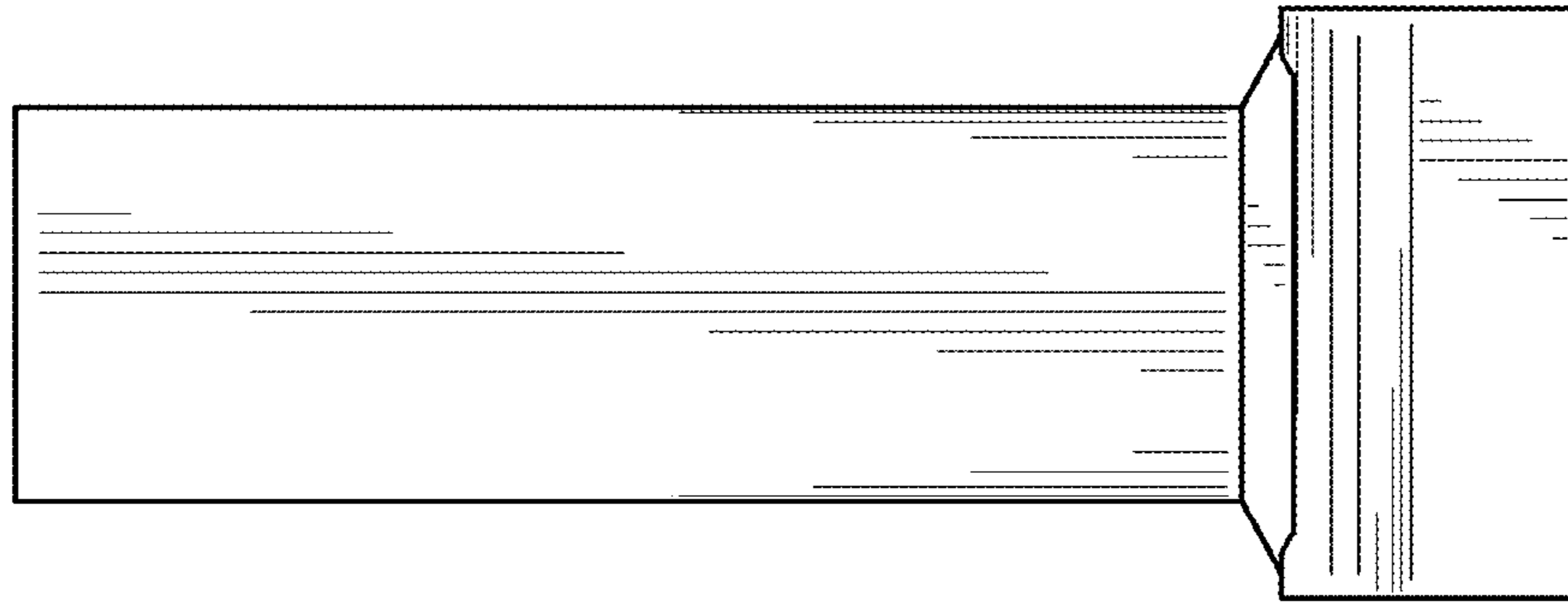


Fig. 7

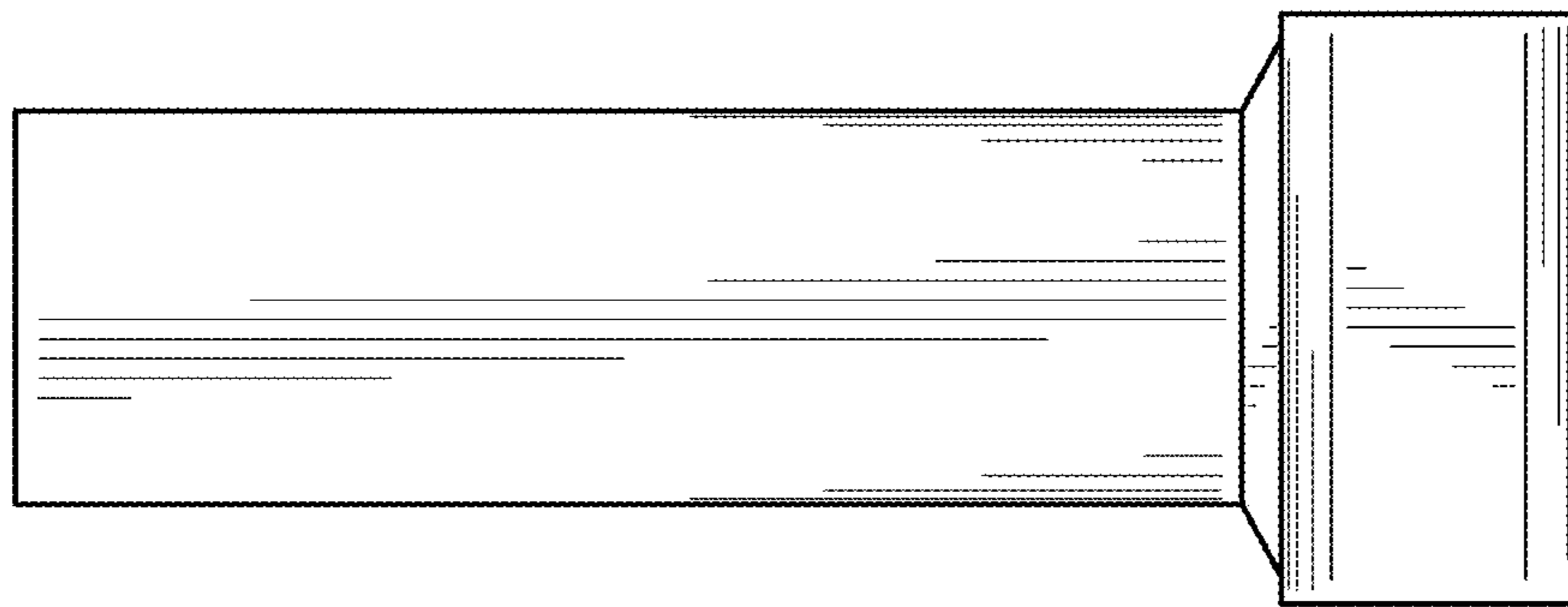


Fig. 8