



US00D913860S

(12) **United States Design Patent**
Ness et al.

(10) **Patent No.:** **US D913,860 S**
(45) **Date of Patent:** **** Mar. 23, 2021**

- (54) **MOTORCYCLE AIR CLEANER**
- (71) Applicant: **Arlen Ness Enterprises, Inc.**, Dublin, CA (US)
- (72) Inventors: **Cory Allen Ness**, Alamo, CA (US);
Phillip Bates Mitchell, Jr., Loomis, CA (US)
- (73) Assignee: **ARLEN NESS ENTERPRISES, INC.**, Dublin, CA (US)
- (**) Term: **15 Years**

7,662,203 B2 * 2/2010 Scott F01M 13/0033
55/498
8,052,780 B2 * 11/2011 Rotter B01D 50/002
95/273
D652,496 S * 1/2012 Greenlees D23/365
(Continued)

Primary Examiner — Darlington Ly
(74) *Attorney, Agent, or Firm* — Steven R. Vosen

(57) **CLAIM**
The ornamental design for a motorcycle air cleaner, as shown and described.

DESCRIPTION

- (21) Appl. No.: **29/696,132**
- (22) Filed: **Jun. 25, 2019**
- (51) **LOC (13) Cl.** **12-11**
- (52) **U.S. Cl.**
USPC **D12/126; D23/365; D15/5**
- (58) **Field of Classification Search**
USPC D12/110, 114, 126, 180; D15/1-5;
D23/364, 365
CPC B01D 46/0002; B01D 46/521; B01D
46/0004; B01D 46/2411; B01D 50/002;
F02M 25/0854; F02M 35/04; F02M
35/10032; F02M 35/022; F02M 35/0203;
F02M 35/024; F02M 35/10019
See application file for complete search history.

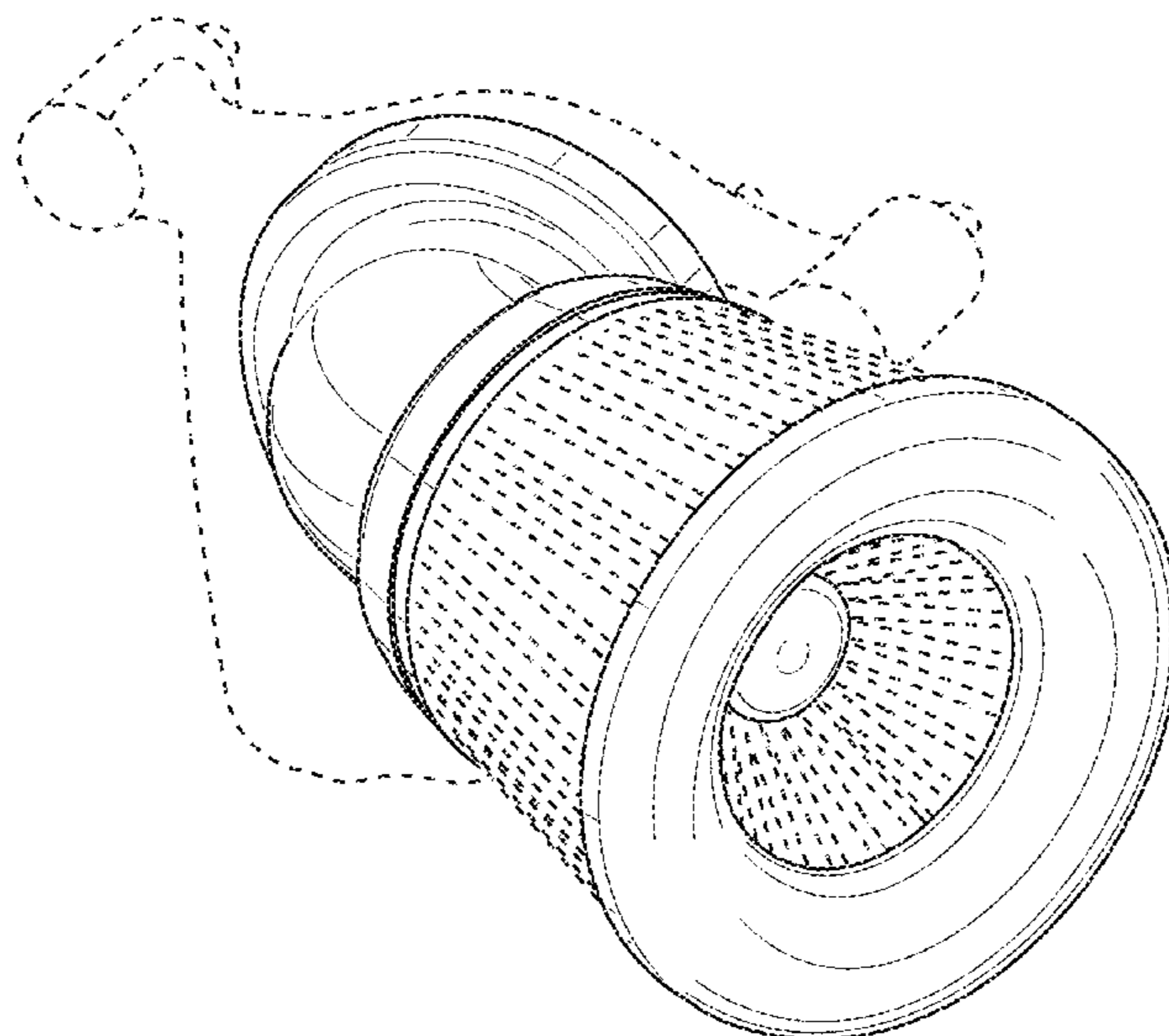
FIG. 1 is a top, front, and left side perspective view of a motorcycle air cleaner showing our new design;
FIG. 2 is front elevation view thereof;
FIG. 3 is a left side elevation view thereof;
FIG. 4 is a rear elevation view thereof;
FIG. 5 is a right side elevation view thereof;
FIG. 6 is a top plan view thereof;
FIG. 7 is a bottom plan view thereof;
FIG. 8 is a top, front, and left side perspective view thereof with the broken line showing of environmental structure omitted;
FIG. 9 is a front elevation view thereof with the broken line showing of environmental structure omitted;
FIG. 10 is a left side elevation view thereof with the broken line showing of environmental structure omitted;
FIG. 11 is a rear elevation view thereof with the broken line showing of environmental structure omitted;
FIG. 12 is a right side elevation view thereof with the broken line showing of environmental structure omitted;
FIG. 13 is a top plan view thereof with the broken line showing of environmental structure omitted; and,
FIG. 14 is a bottom plan view thereof with the broken line showing of environmental structure omitted.
The broken lines in the drawings illustrate portions of the motorcycle air cleaner and environmental structure that form no part of the claimed design.

(56) **References Cited**

U.S. PATENT DOCUMENTS

- D305,149 S * 12/1989 Stahel D23/364
- D403,414 S * 12/1998 Shelton D23/365
- D403,416 S * 12/1998 Shelton D23/365
- D467,654 S * 12/2002 Klug D23/365
- 6,833,023 B1 * 12/2004 Vandenberghe B01D 29/906
55/337
- D524,822 S * 7/2006 Garvey D15/5
- D533,265 S * 12/2006 Fiello D23/365
- D544,083 S * 6/2007 Walser D12/114

1 Claim, 11 Drawing Sheets



(56)

References Cited

U.S. PATENT DOCUMENTS

8,273,143 B2 * 9/2012 Coulonvaux B01D 46/0024
55/344
8,292,984 B2 * 10/2012 Baseotto B01D 46/0024
55/498
D675,230 S * 1/2013 Finnie D15/5
D675,649 S * 2/2013 Sands D15/5
D676,361 S * 2/2013 Louden D12/126
D706,177 S * 6/2014 Finnie D12/126
D739,513 S * 9/2015 Williams D23/365
D793,544 S * 8/2017 Ramirez D23/365
D800,609 S * 10/2017 Trask D12/110
D829,315 S * 9/2018 Williams D23/365
D852,680 S * 7/2019 Ness D12/114
D871,271 S * 12/2019 Richards D12/114
D879,276 S * 3/2020 King, Jr. D23/365
D897,517 S * 9/2020 Wolf D23/365
2008/0223327 A1 * 9/2008 Smith F02M 35/04
123/184.21

* cited by examiner

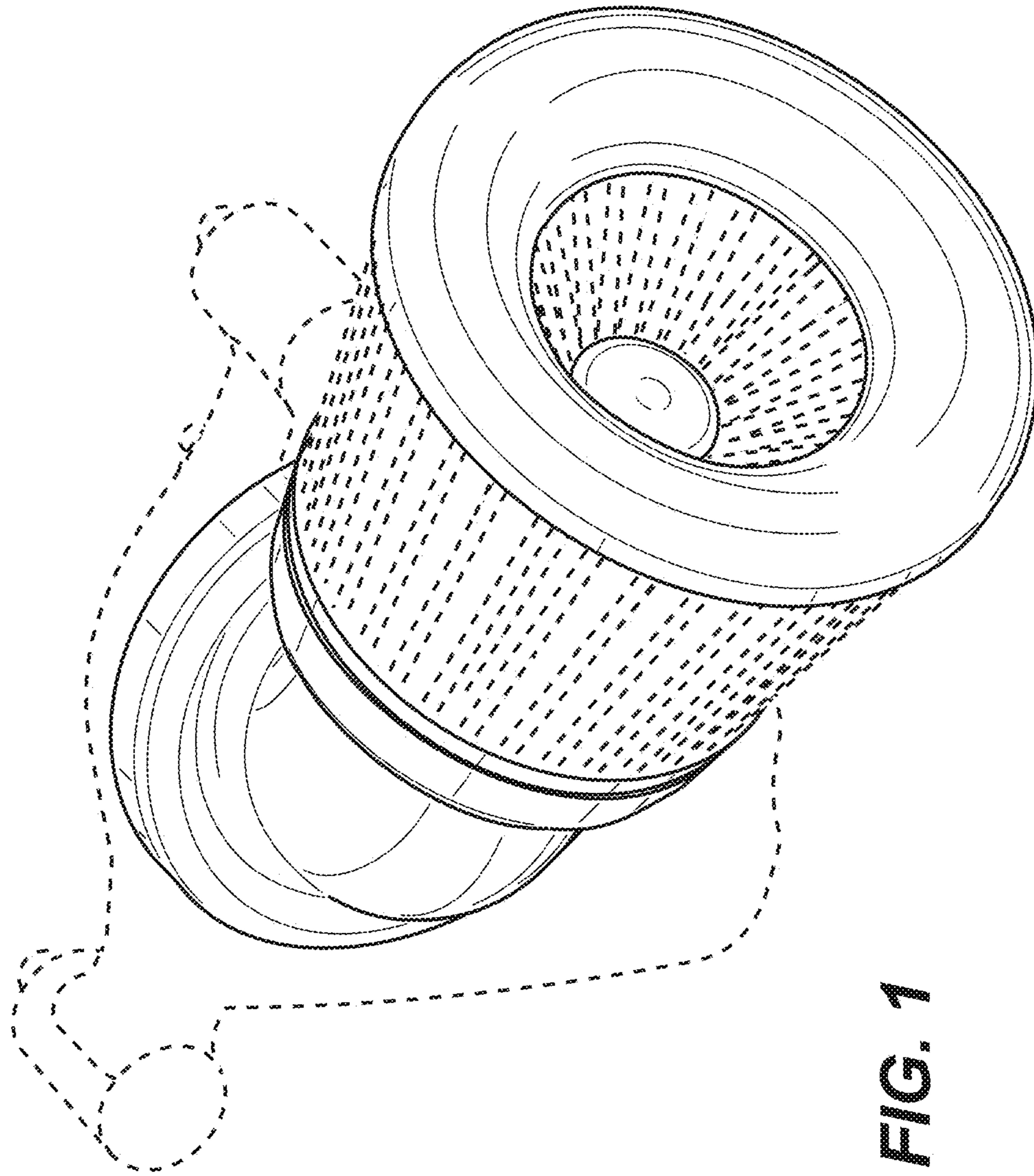


FIG. 1

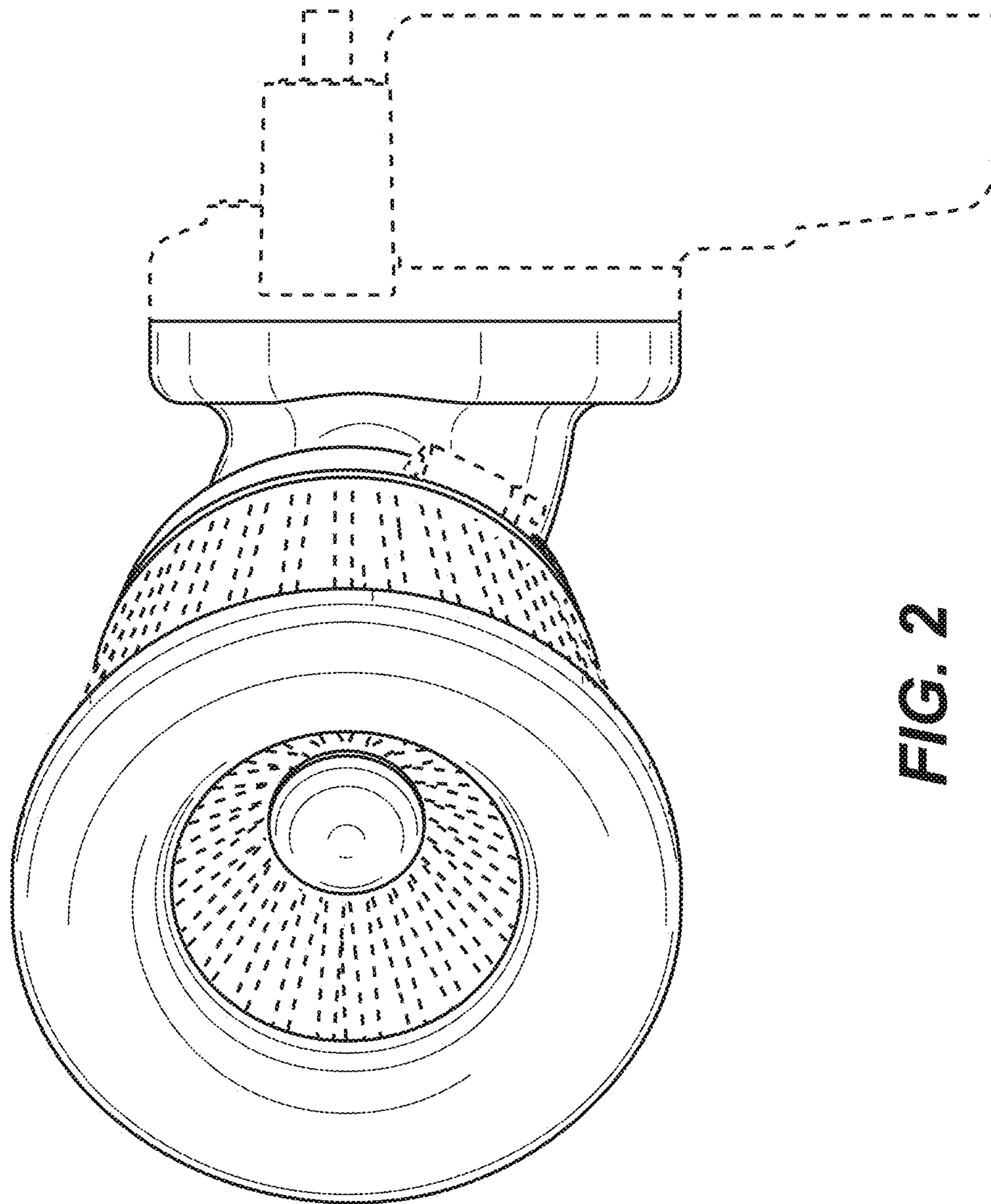


FIG. 2

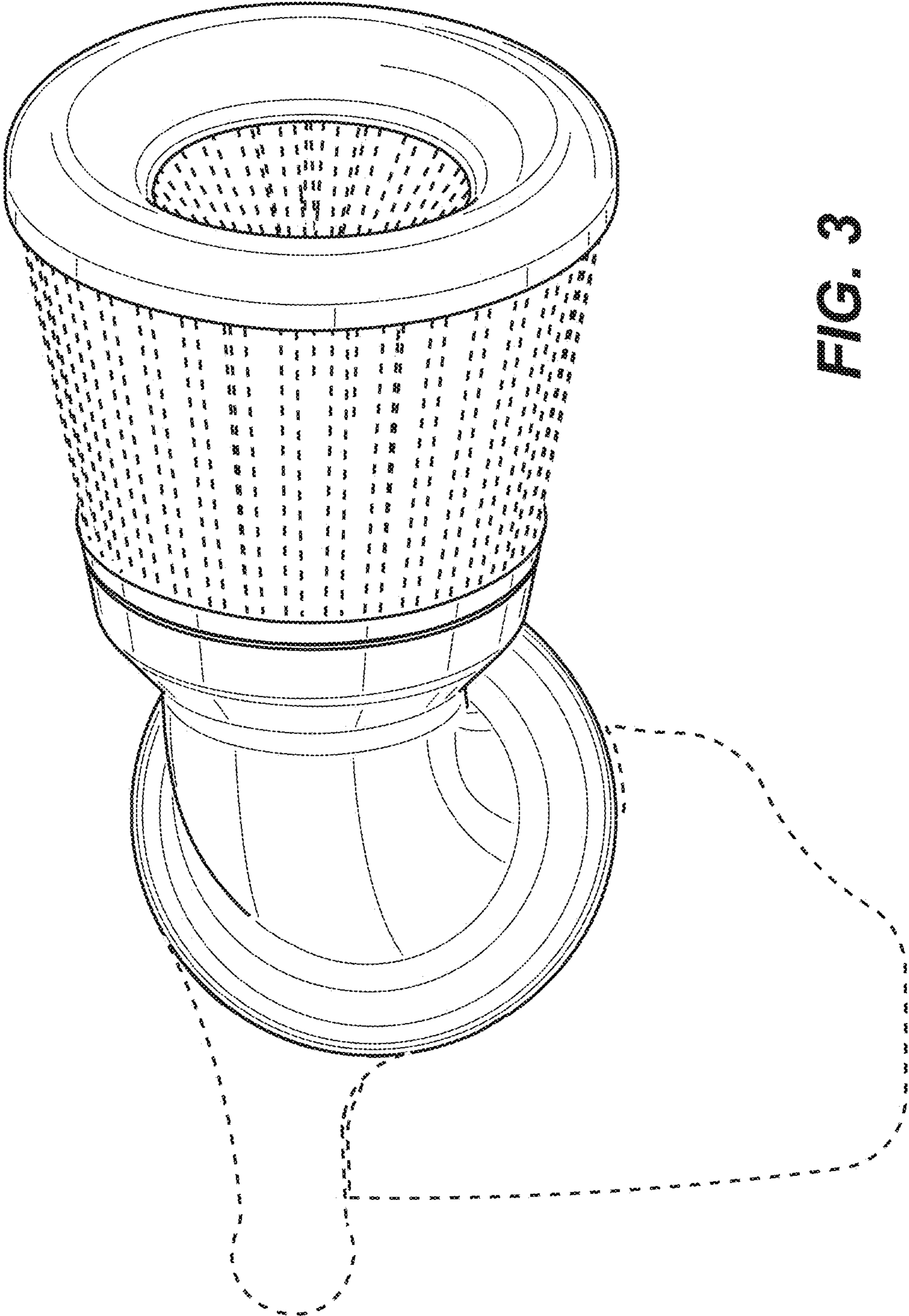


FIG. 3

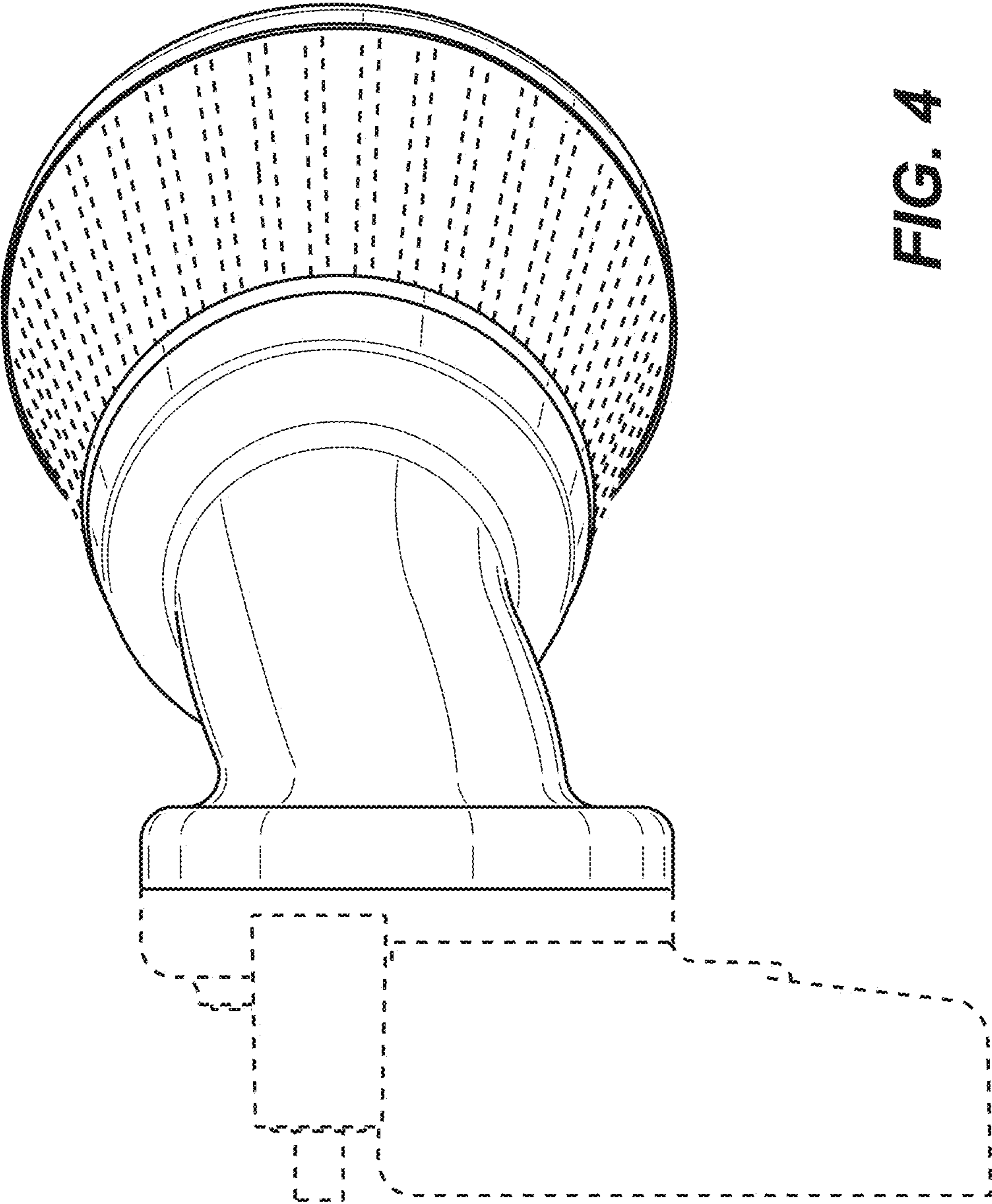


FIG. 4

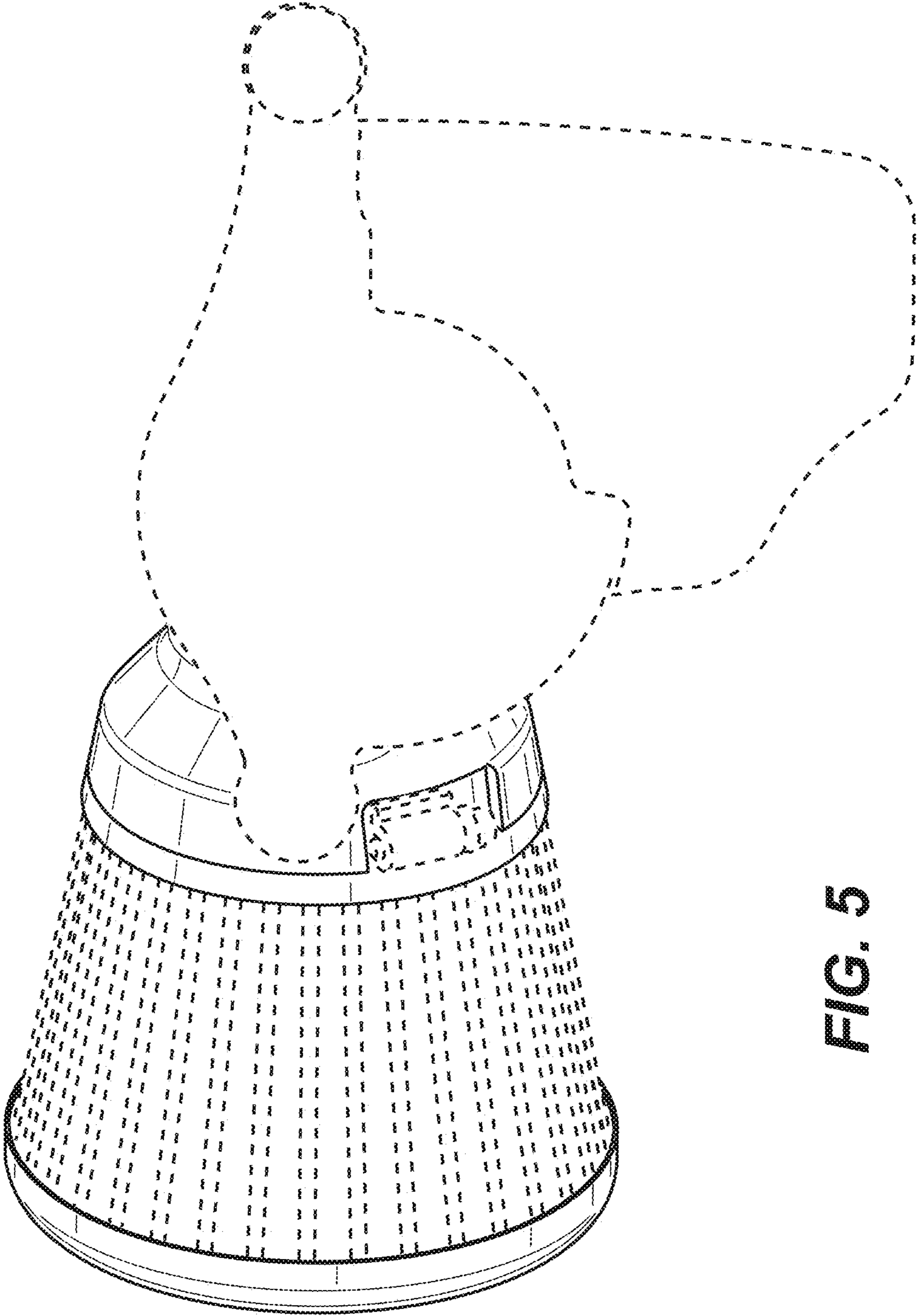


FIG. 5

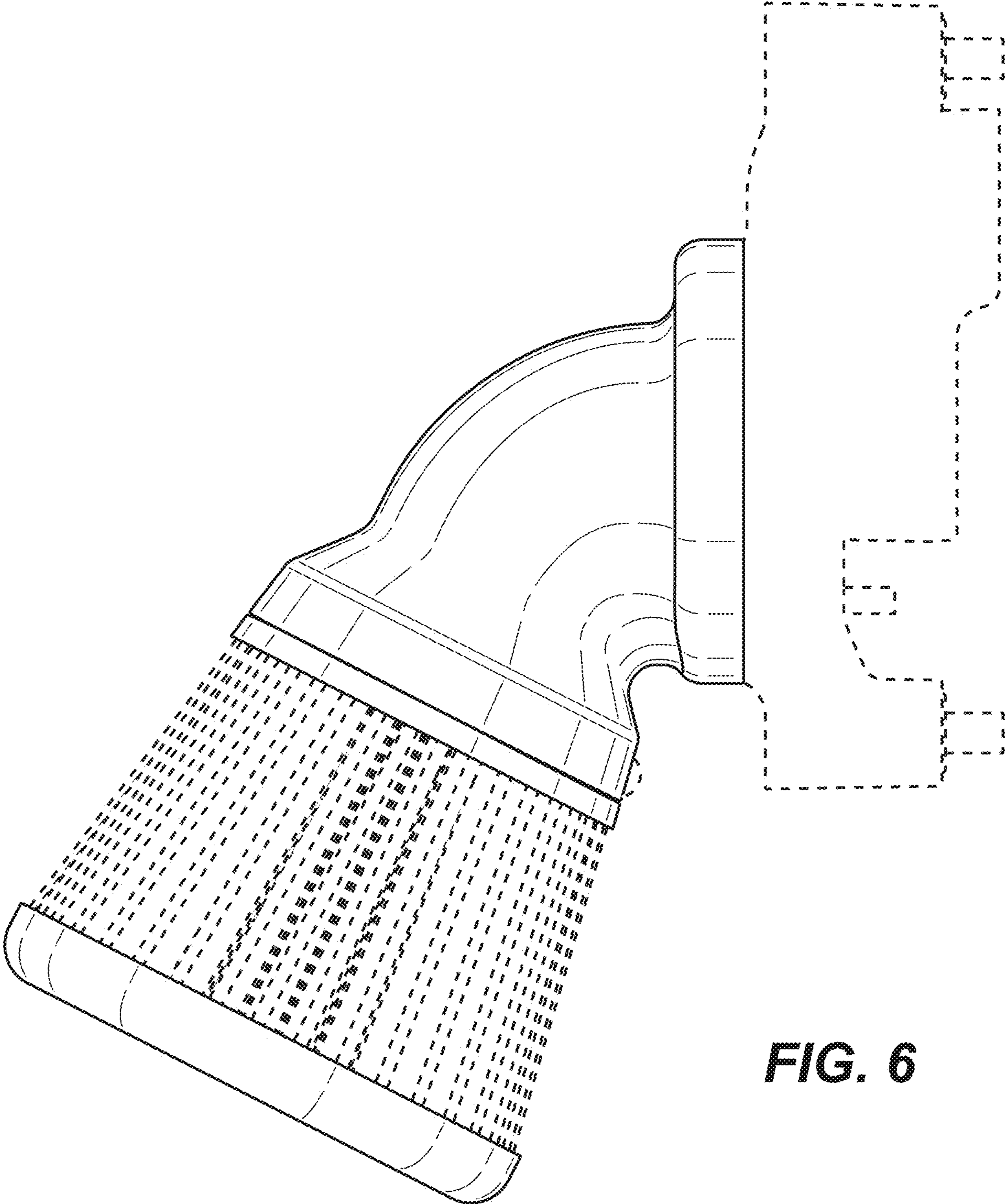


FIG. 6

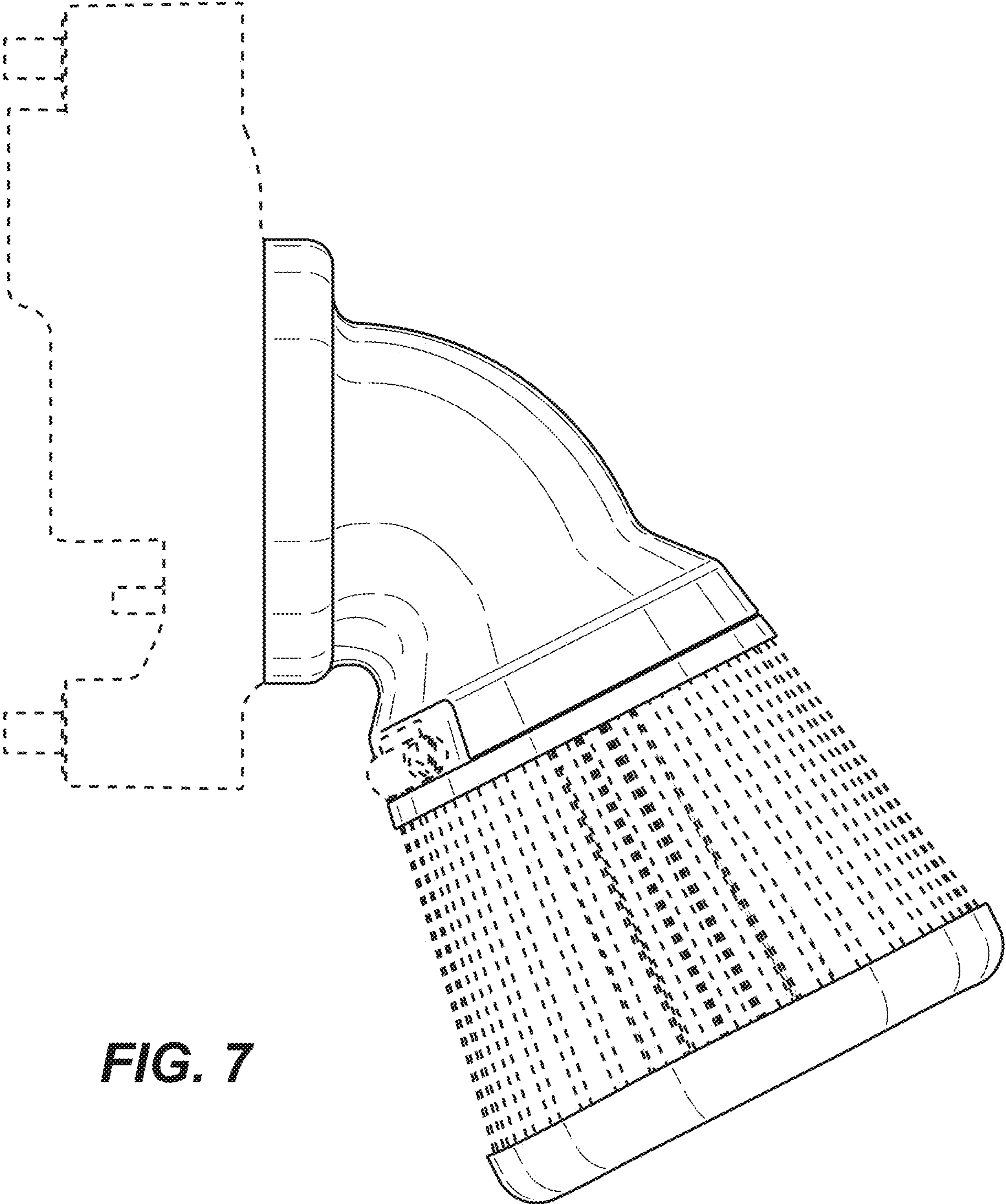


FIG. 7

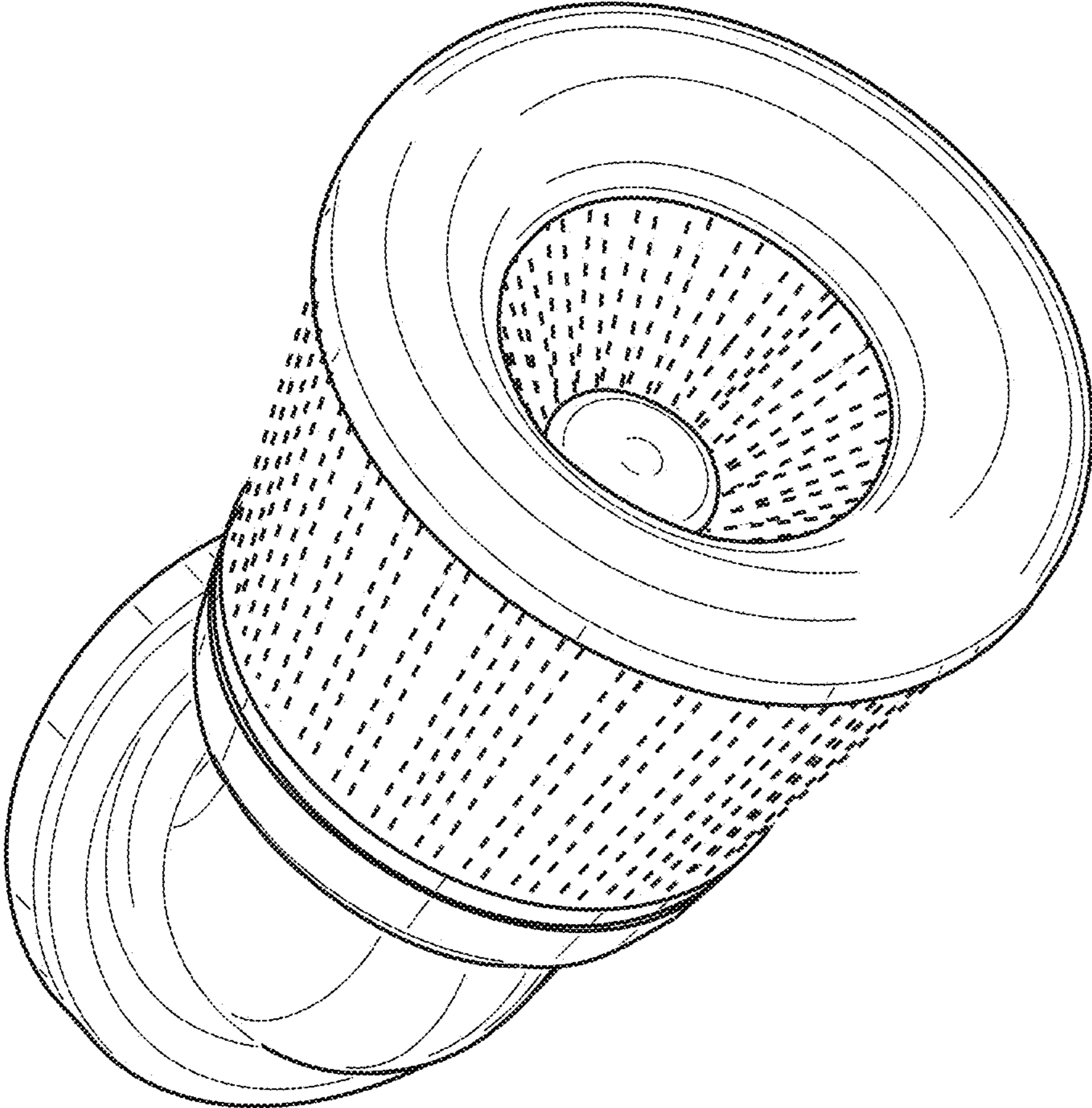


FIG. 8

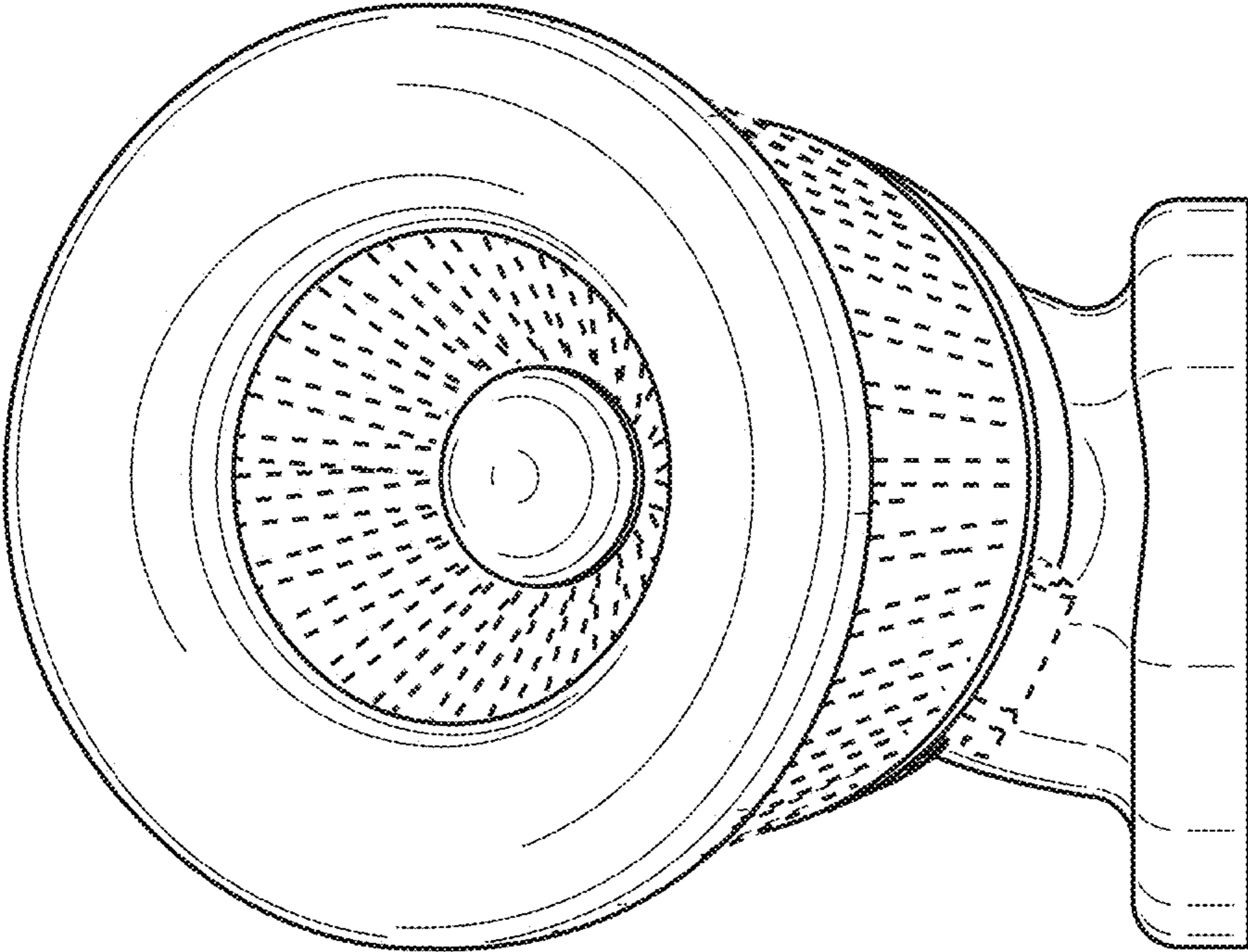


FIG. 9

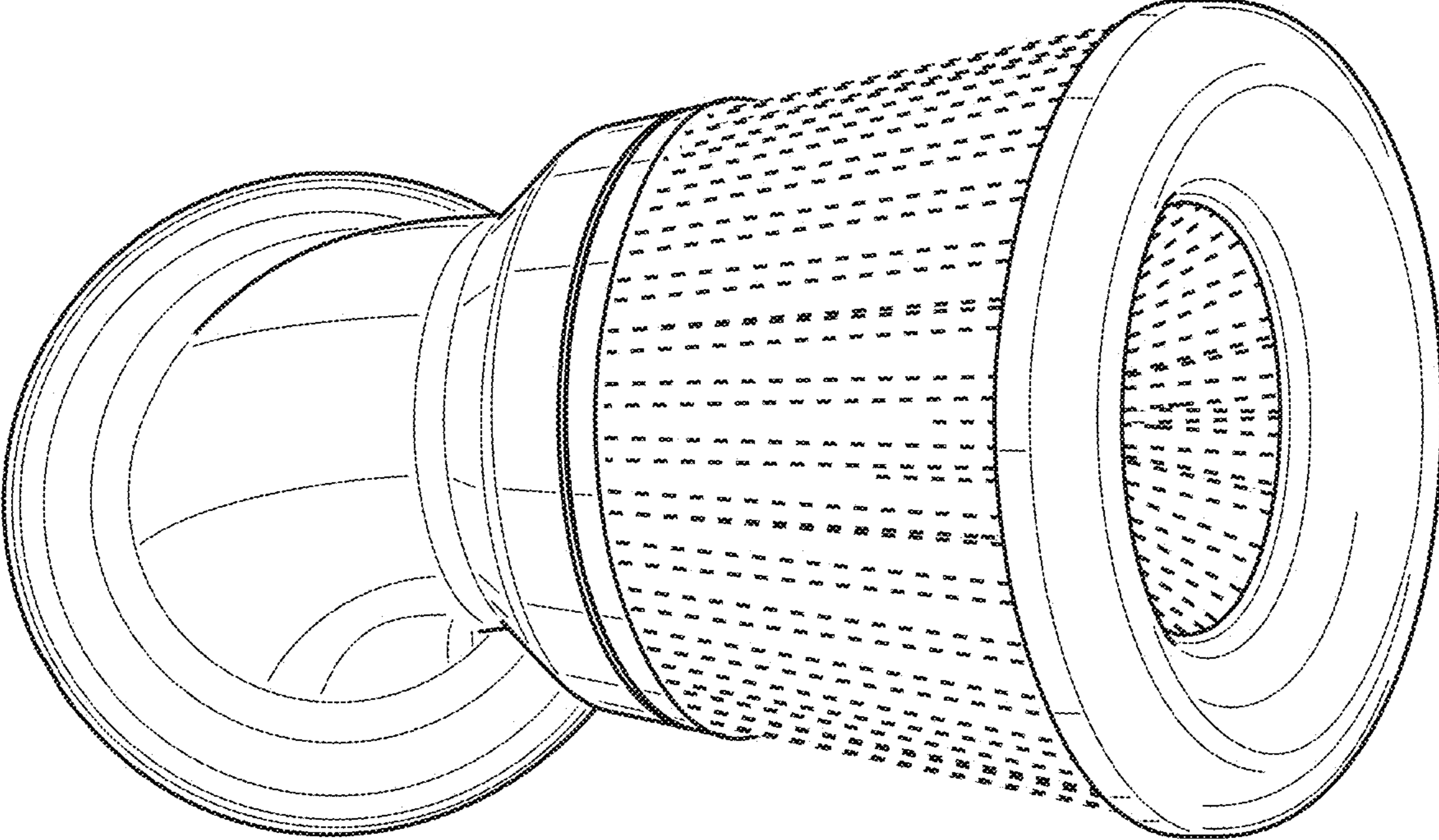


FIG. 10

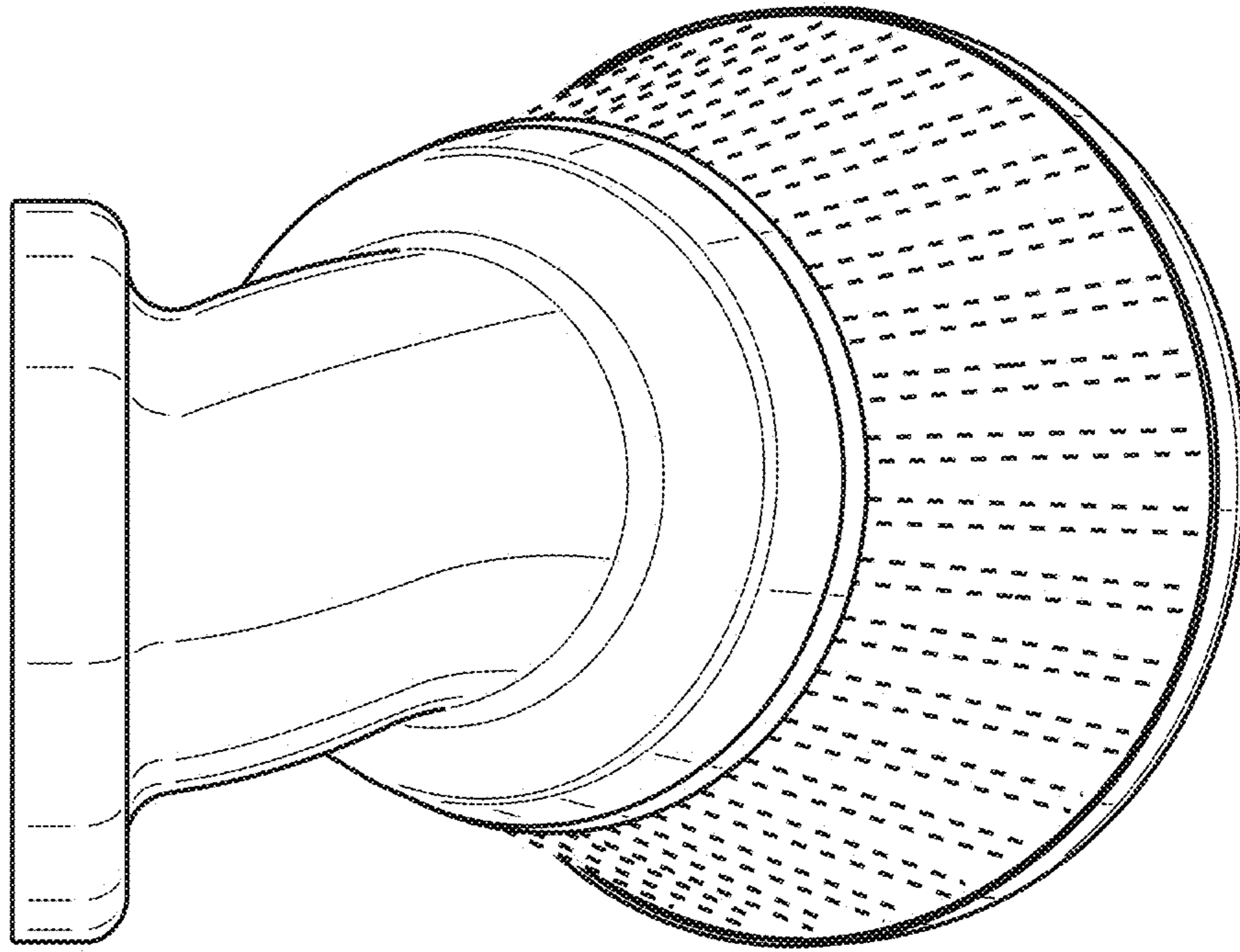


FIG. 11

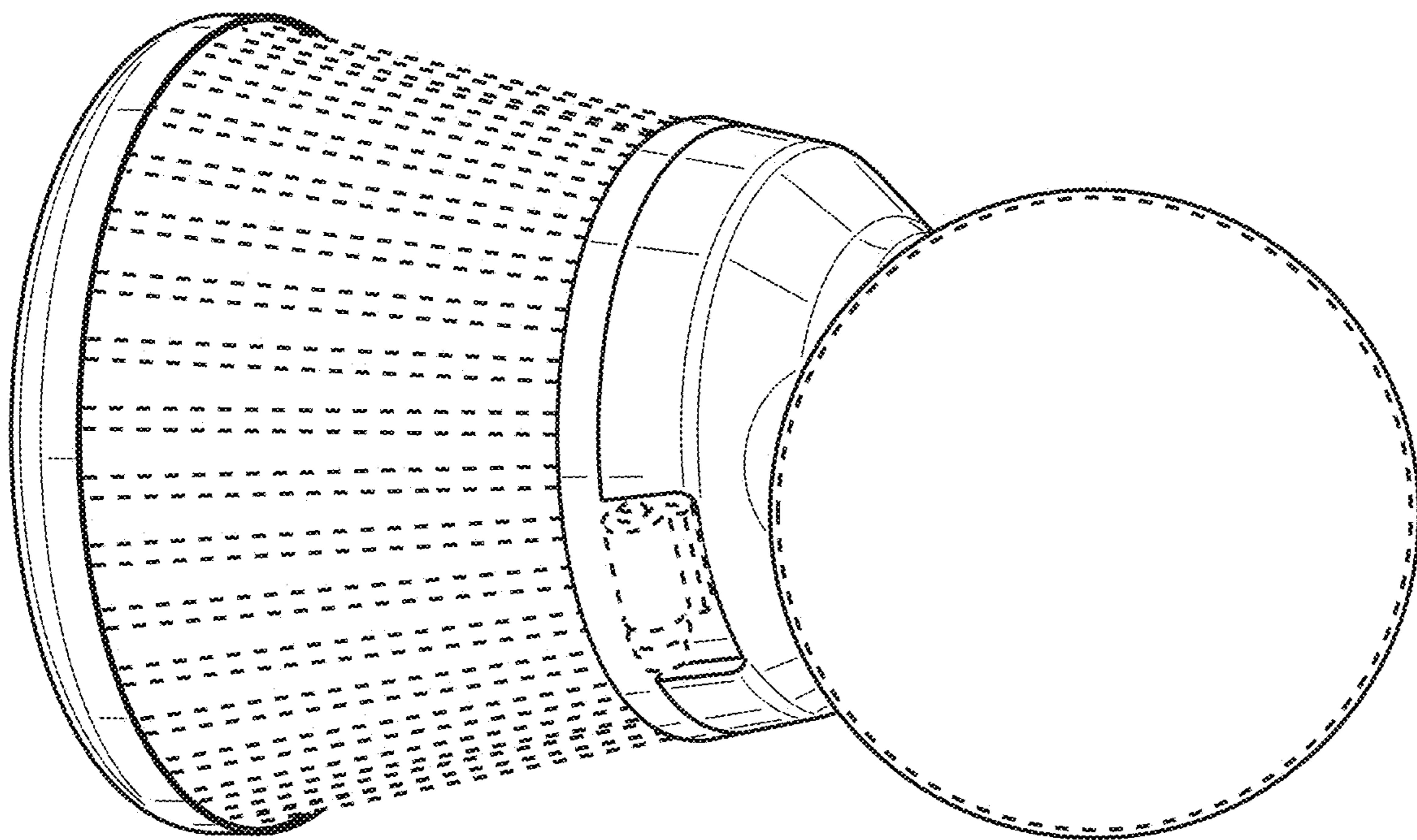


FIG. 12

FIG. 14

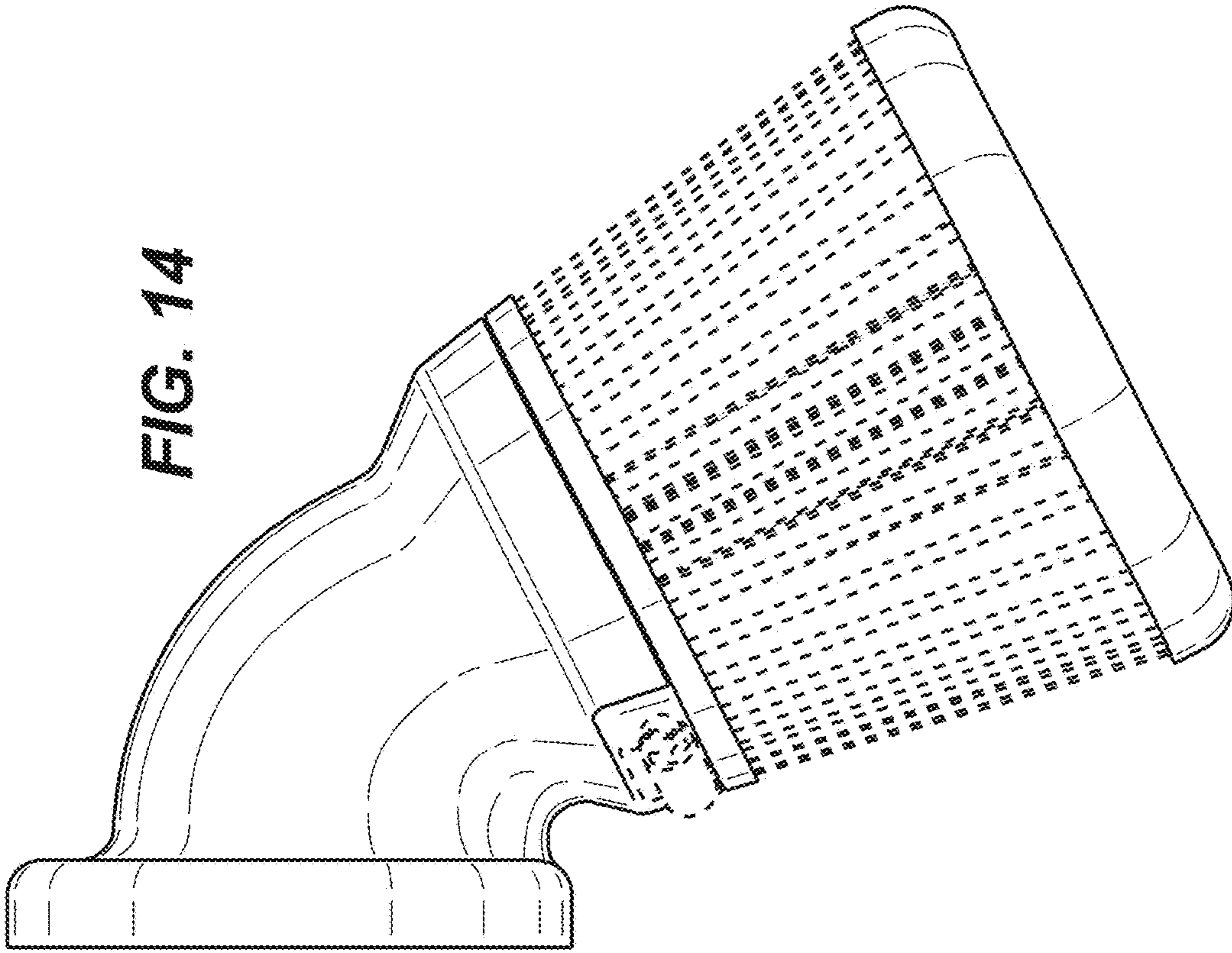


FIG. 13

