



US00D913858S

(12) **United States Design Patent**
Wang et al.

(10) **Patent No.:** **US D913,858 S**
(45) **Date of Patent:** **** Mar. 23, 2021**

(54) **ELECTRIC VEHICLE**

(71) Applicants: **Chao Wang**, Xingtai (CN); **Kun Lang**, Xingtai (CN); **Lei Cao**, Xingtai (CN); **Yongqiang Liu**, Xingtai (CN)

(72) Inventors: **Chao Wang**, Xingtai (CN); **Kun Lang**, Xingtai (CN); **Lei Cao**, Xingtai (CN); **Yongqiang Liu**, Xingtai (CN)

(73) Assignee: **Hebei Kaiyun Motors Co., Ltd.**, Hebei (CN)

(**) Term: **15 Years**

(21) Appl. No.: **29/715,309**

(22) Filed: **Nov. 30, 2019**

(51) **LOC (13) Cl.** **12-08**

(52) **U.S. Cl.**
USPC **D12/98**

(58) **Field of Classification Search**
USPC D12/1, 14, 82, 90, 93, 96, 98; D21/433, D21/434, 552
CPC B60Y 2200/14; B60Y 2200/141; B60Y 2200/142; B60Y 2200/1422; B60Y 2200/10; B60Y 2200/112; B60Y 2200/90; B60Y 2200/91

See application file for complete search history.

(56) **References Cited**

U.S. PATENT DOCUMENTS

D305,627 S * 1/1990 Takagi D12/98
D470,436 S * 2/2003 Lee D12/98

D621,423 S * 8/2010 Nakanishi D15/23
D716,693 S * 11/2014 Higashikawa D12/14
D767,444 S * 9/2016 Chun D12/14
D772,757 S * 11/2016 Tu D12/91
9,738,134 B1 * 8/2017 Rittenour B62D 63/04

OTHER PUBLICATIONS

Kaiyun Motors, www.chinapev.com [online]. Published on Sep. 10, 2019, [retrieved on Nov. 7, 2020]. Retrieved from the Internet: <URL:https://www.chinapev.com/kaiyun-motors/kaiyun-motors-released-chinese-cheapest-electric-pickup-the-pickman-with-price-starts-at-only-us3061/> (Year: 2019).*

* cited by examiner

Primary Examiner — Michael A. Pratt
Assistant Examiner — Adam C Mager

(57) **CLAIM**

The ornamental design for electric vehicle, as shown and described.

DESCRIPTION

FIG. 1 is the front elevational view of electric vehicle; FIG. 2 is the rear elevational view thereof; FIG. 3 is the left side view thereof; FIG. 4 is the right side view thereof; FIG. 5 is the top plan view thereof; and, FIG. 6 is the bottom plan view thereof.

1 Claim, 6 Drawing Sheets

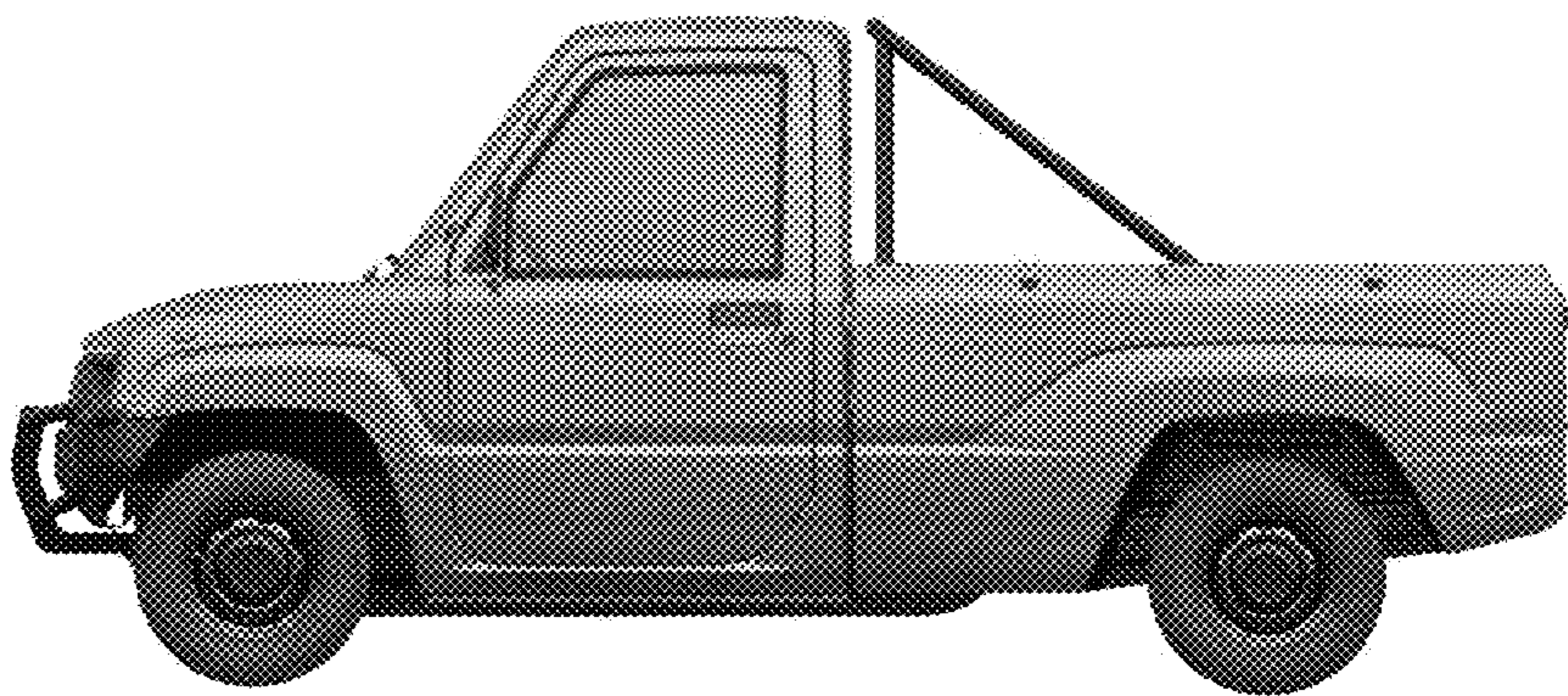




Fig. 1

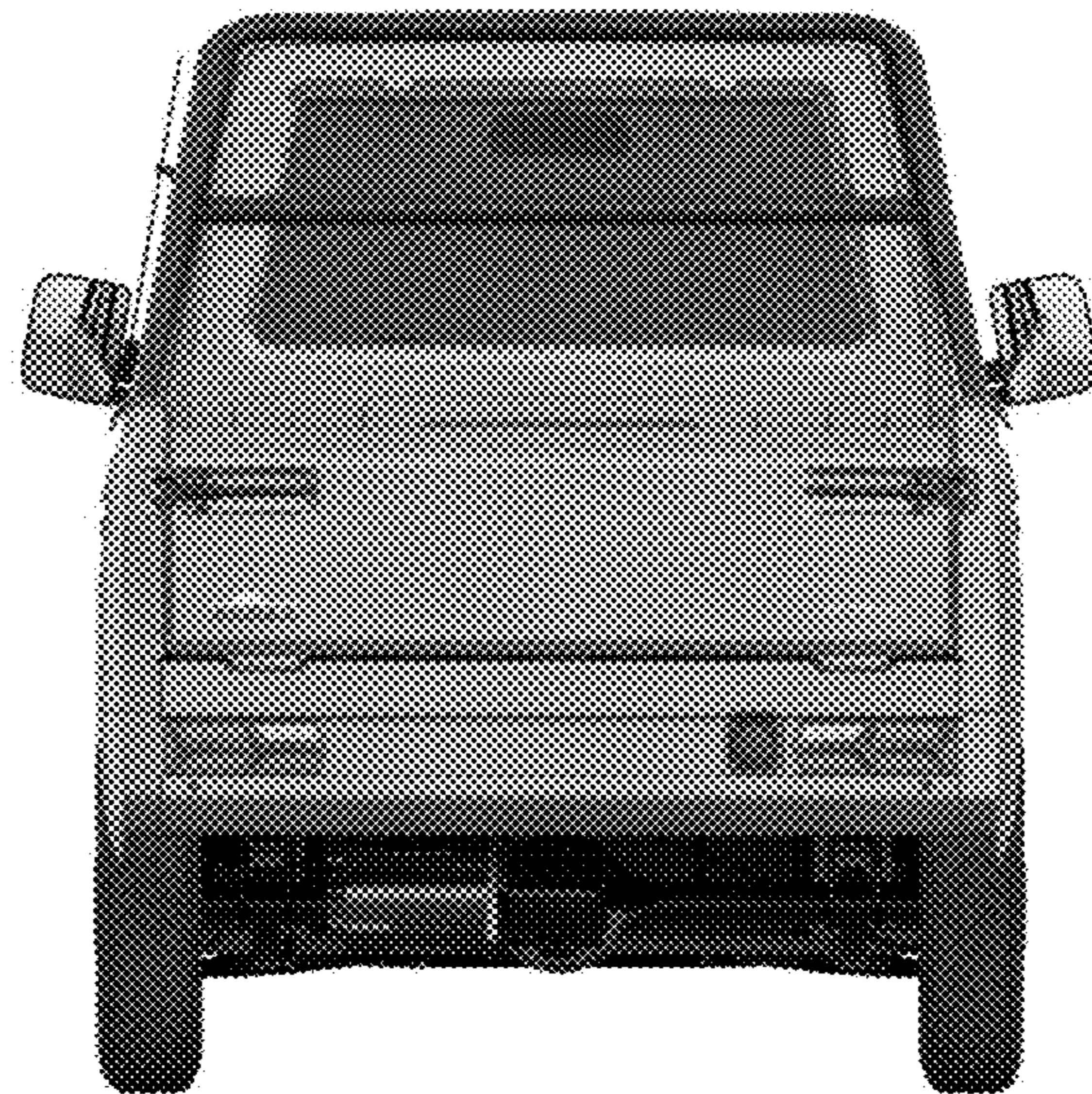


Fig. 2

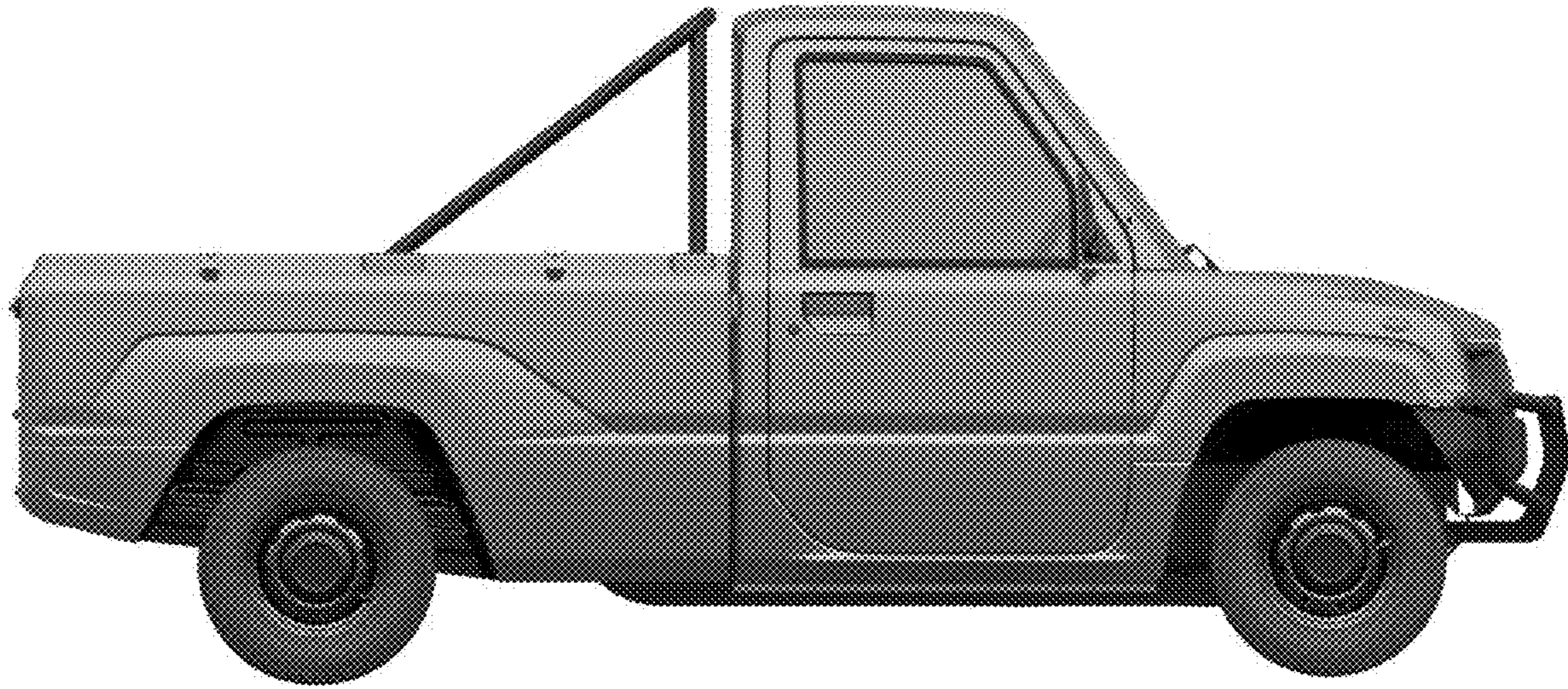


Fig. 3

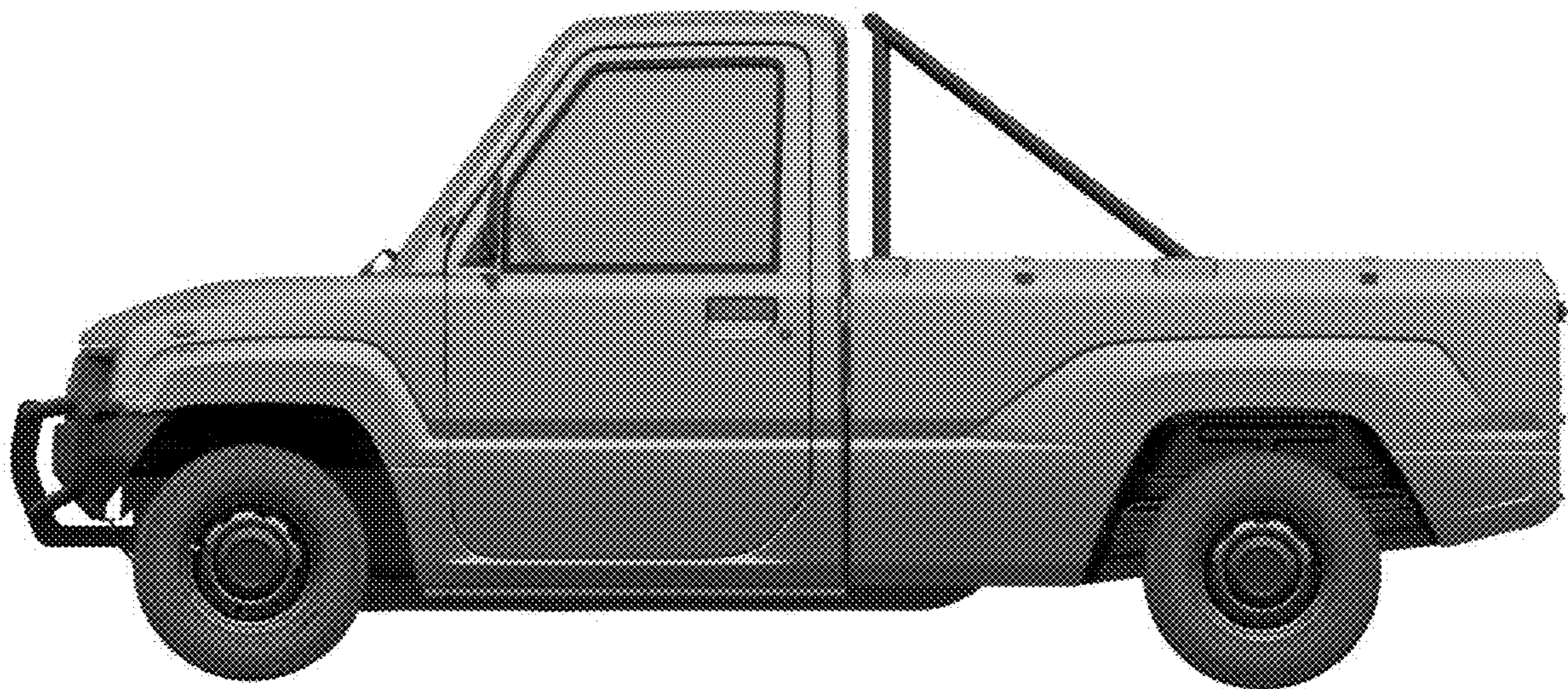


Fig. 4

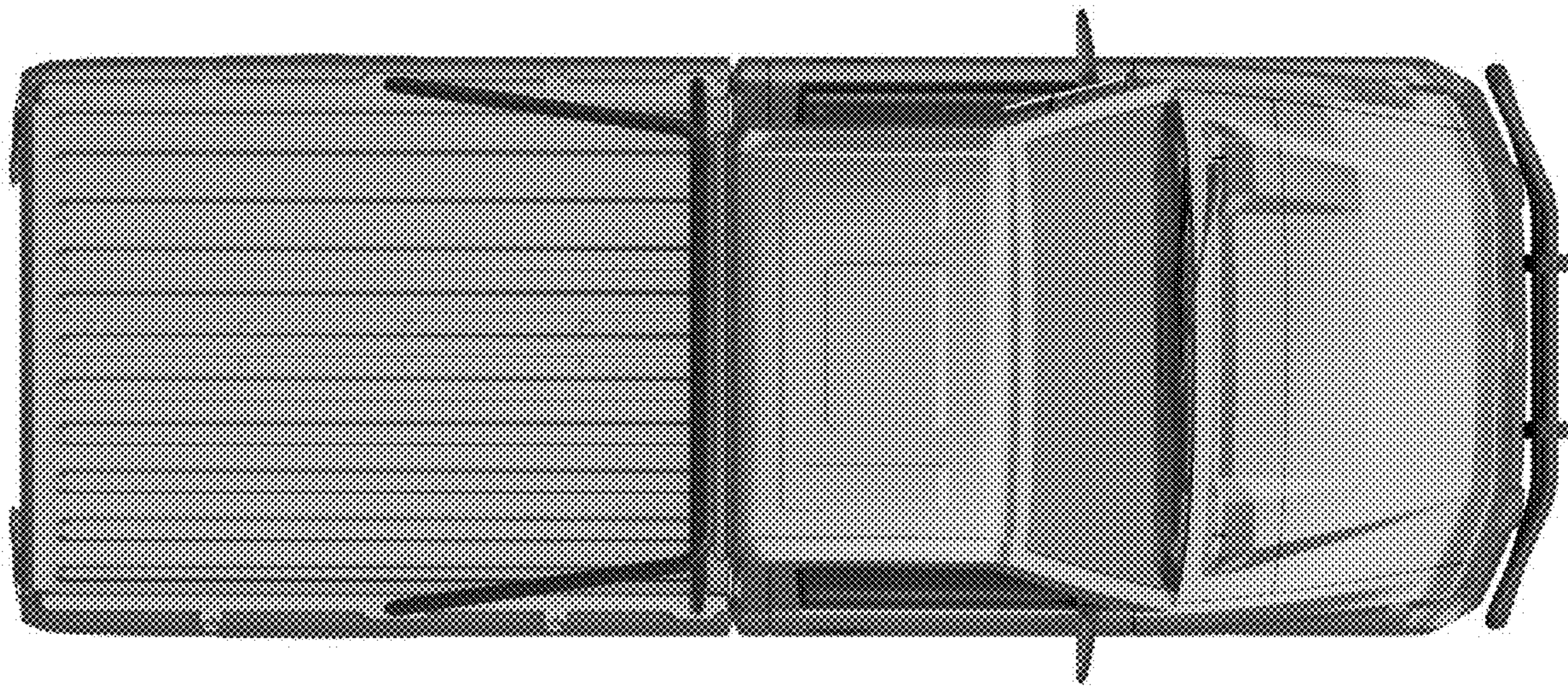


Fig. 5

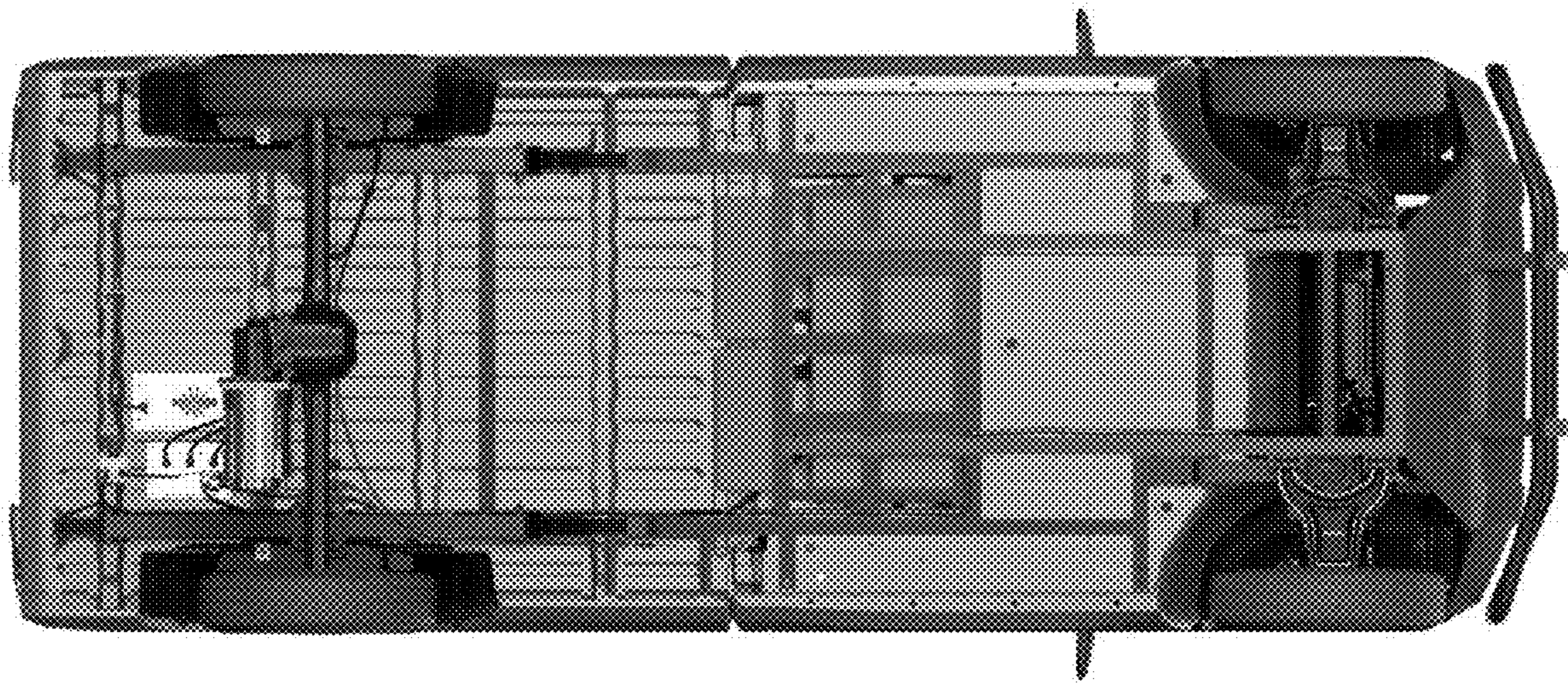


Fig. 6