



US00D913856S

(12) **United States Design Patent**
Lenglin

(10) **Patent No.:** **US D913,856 S**

(45) **Date of Patent:** **** Mar. 23, 2021**

(54) **MOTOR VEHICLE, TOY AND/OR REPLICA**

(71) Applicant: **Dr. Ing. h.c. F. Porsche**
Aktiengesellschaft, Stuttgart (DE)

(72) Inventor: **Stephane Lenglin, Pforzheim (DE)**

(73) Assignee: **Dr. Ing. h.c. F. Porsche**
Aktiengesellschaft

(**) Term: **15 Years**

(21) Appl. No.: **29/721,038**

(22) Filed: **Jan. 17, 2020**

(30) **Foreign Application Priority Data**

Jul. 19, 2019 (DE) 402019100785.7

(51) **LOC (13) Cl.** **12-08**

(52) **U.S. Cl.**
USPC **D12/92**

(58) **Field of Classification Search**
USPC D12/86, 90-92, 88, 164; D21/424, 433,
D21/434; 296/181.1-181.5, 183.1
CPC B62D 25/00; B62D 25/06; B62D 33/00;
B62D 35/00
See application file for complete search history.

(56) **References Cited**

U.S. PATENT DOCUMENTS

D700,545 S 3/2014 Borkert
D703,585 S 4/2014 Scheinhutte et al.
D704,100 S 5/2014 Scheinhutte et al.
D763,736 S 8/2016 Varga

D763,737 S 8/2016 Varga
D789,251 S 6/2017 Varga
D789,832 S 6/2017 Varga
D796,997 S 9/2017 Varga
D798,194 S 9/2017 Varga
D824,288 S * 7/2018 Hauser D12/92
D826,781 S * 8/2018 Scheinhutte D12/91
D826,784 S * 8/2018 Hauser D12/92
D834,455 S * 11/2018 Yamashita D12/92
D865,568 S * 11/2019 Burki D12/92
D867,932 S * 11/2019 Yamashita D12/92
D868,630 S * 12/2019 Burki D12/92

* cited by examiner

Primary Examiner — Melody N Brown

(74) *Attorney, Agent, or Firm* — RatnerPrestia

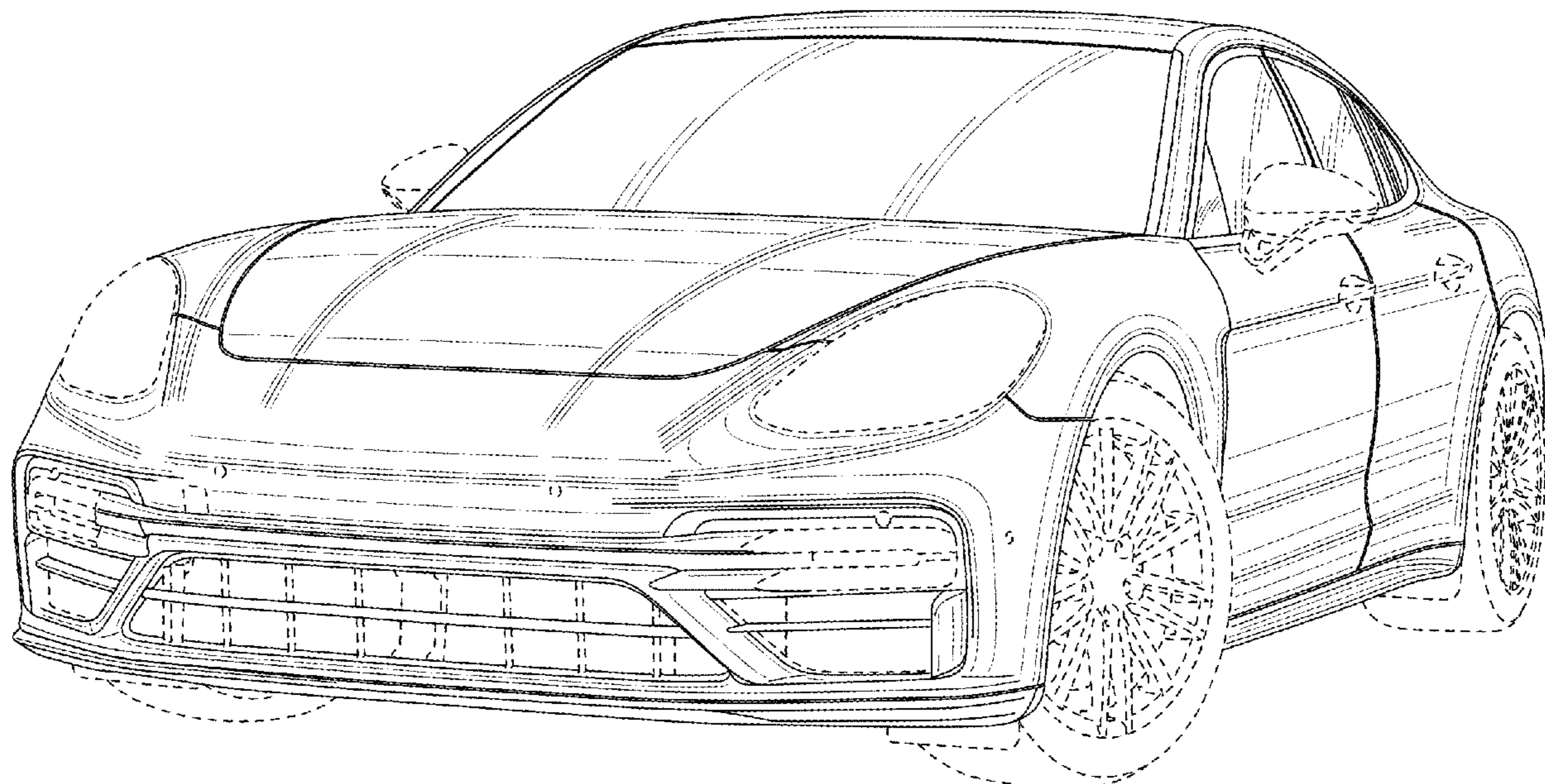
(57) **CLAIM**

The ornamental design for a motor vehicle, toy and/or replica, as shown and described.

DESCRIPTION

FIG. 1 is a front perspective view of a motor vehicle, toy and/or replica;
FIG. 2 is a rear perspective view thereof;
FIG. 3 is a front elevation view thereof;
FIG. 4 is a rear elevation view thereof;
FIG. 5 is an elevation view thereof taken from the left side, the right side being a substantial mirror image thereof; and,
FIG. 6 is a top plan view thereof.
The broken line showing of the motor vehicle, toy and/or replica is for the purpose of illustrating portions of the motor vehicle, toy and/or replica and forms no part of the claimed design.

1 Claim, 6 Drawing Sheets



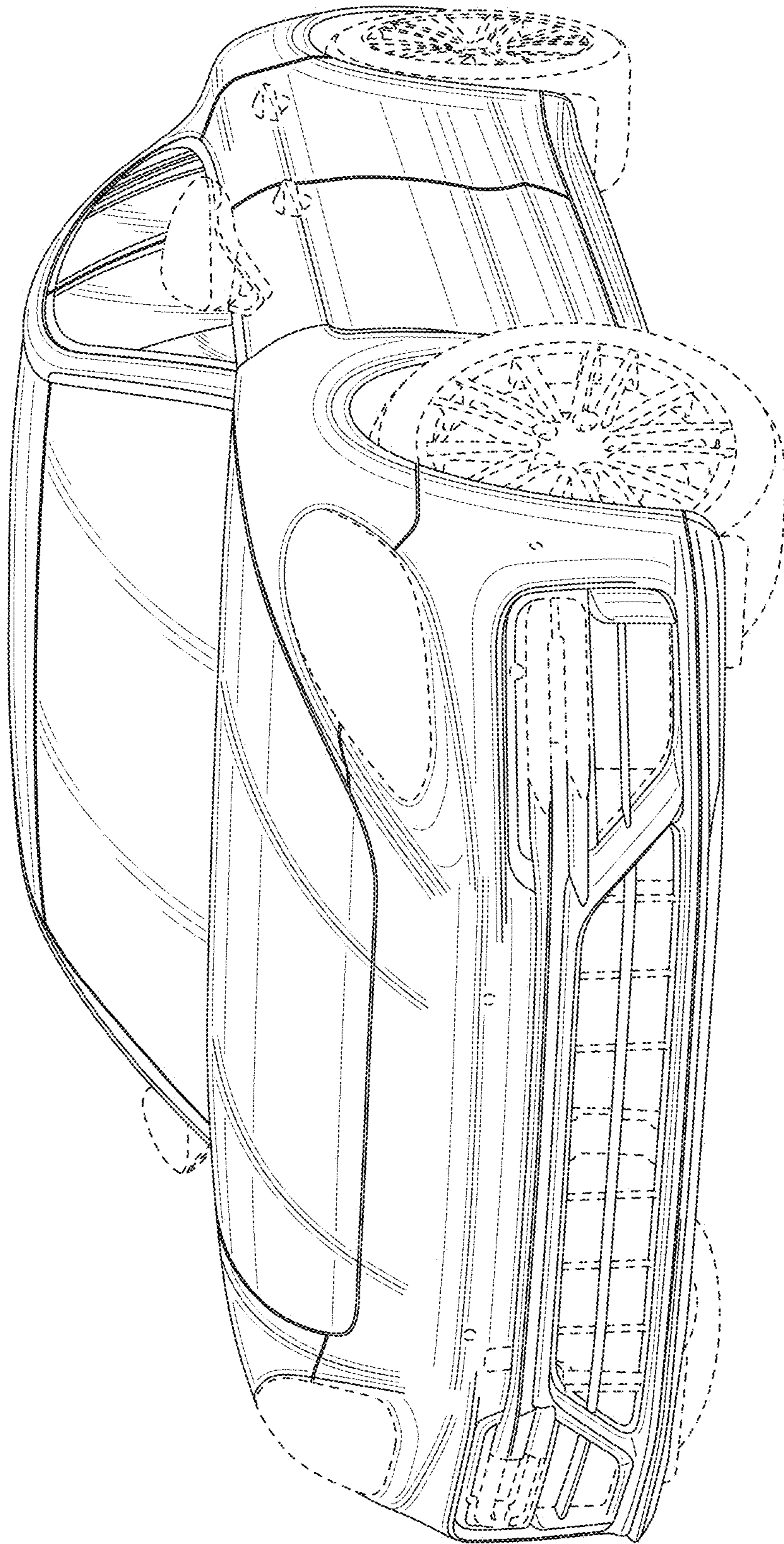


FIG. 1

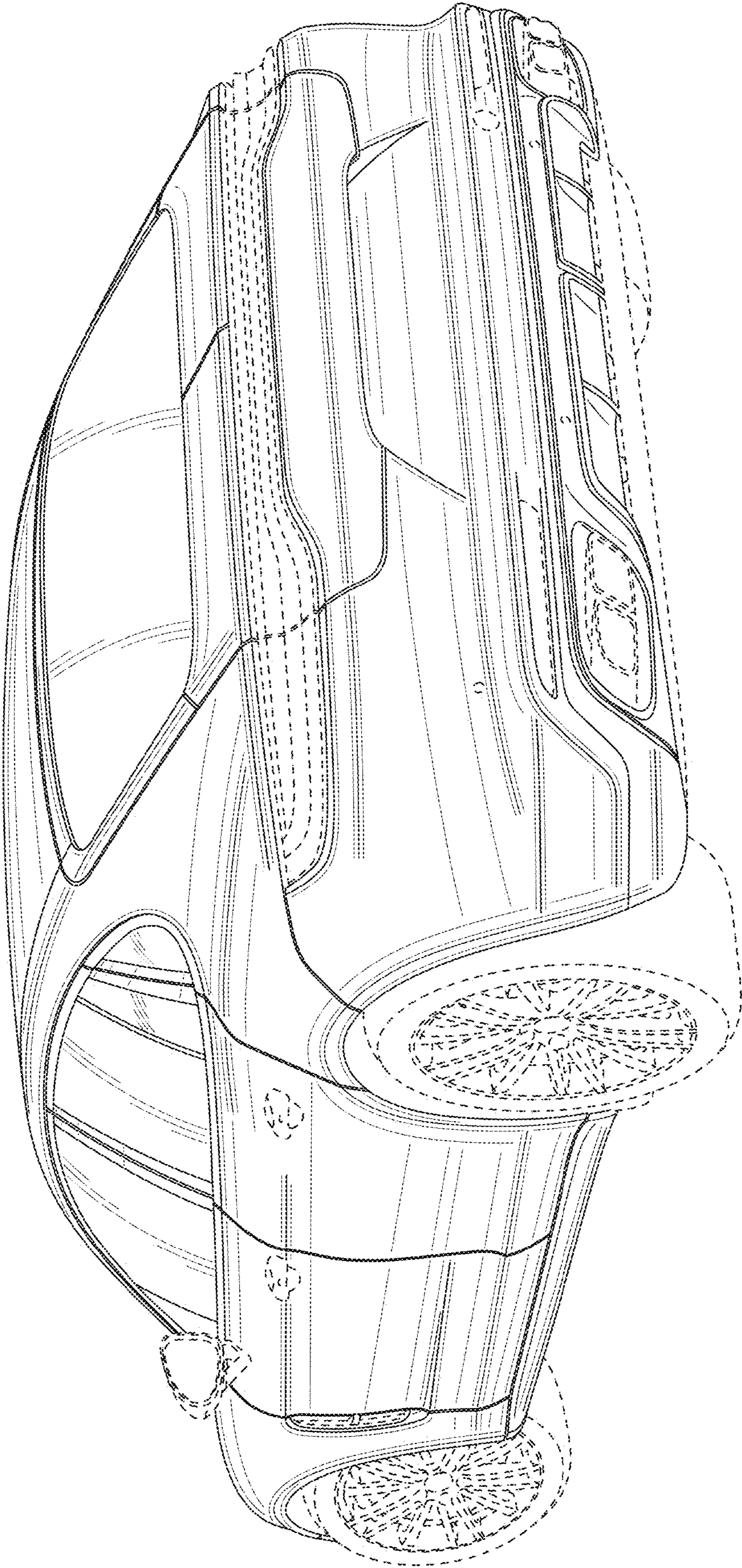


FIG. 2

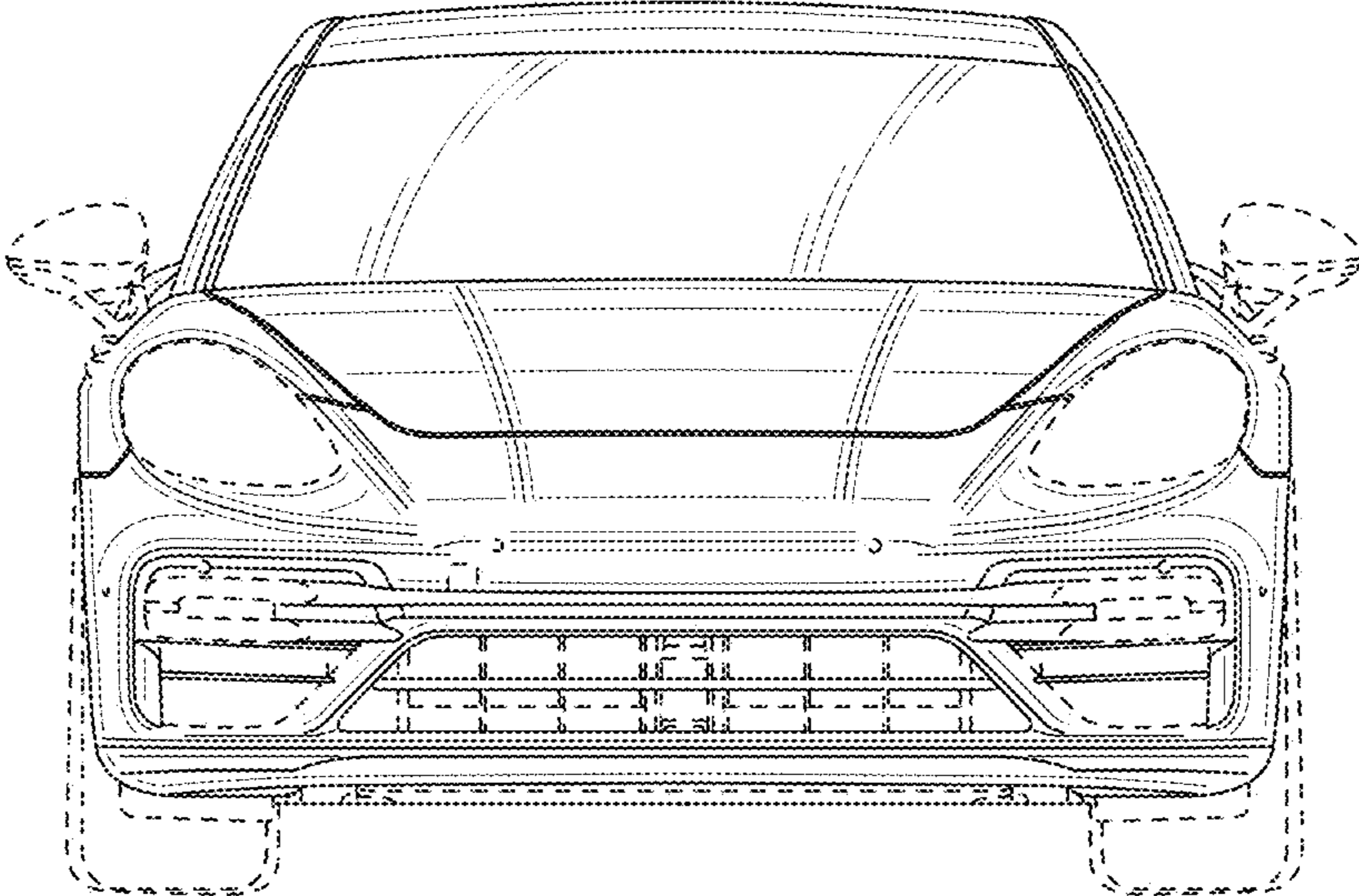


FIG. 3

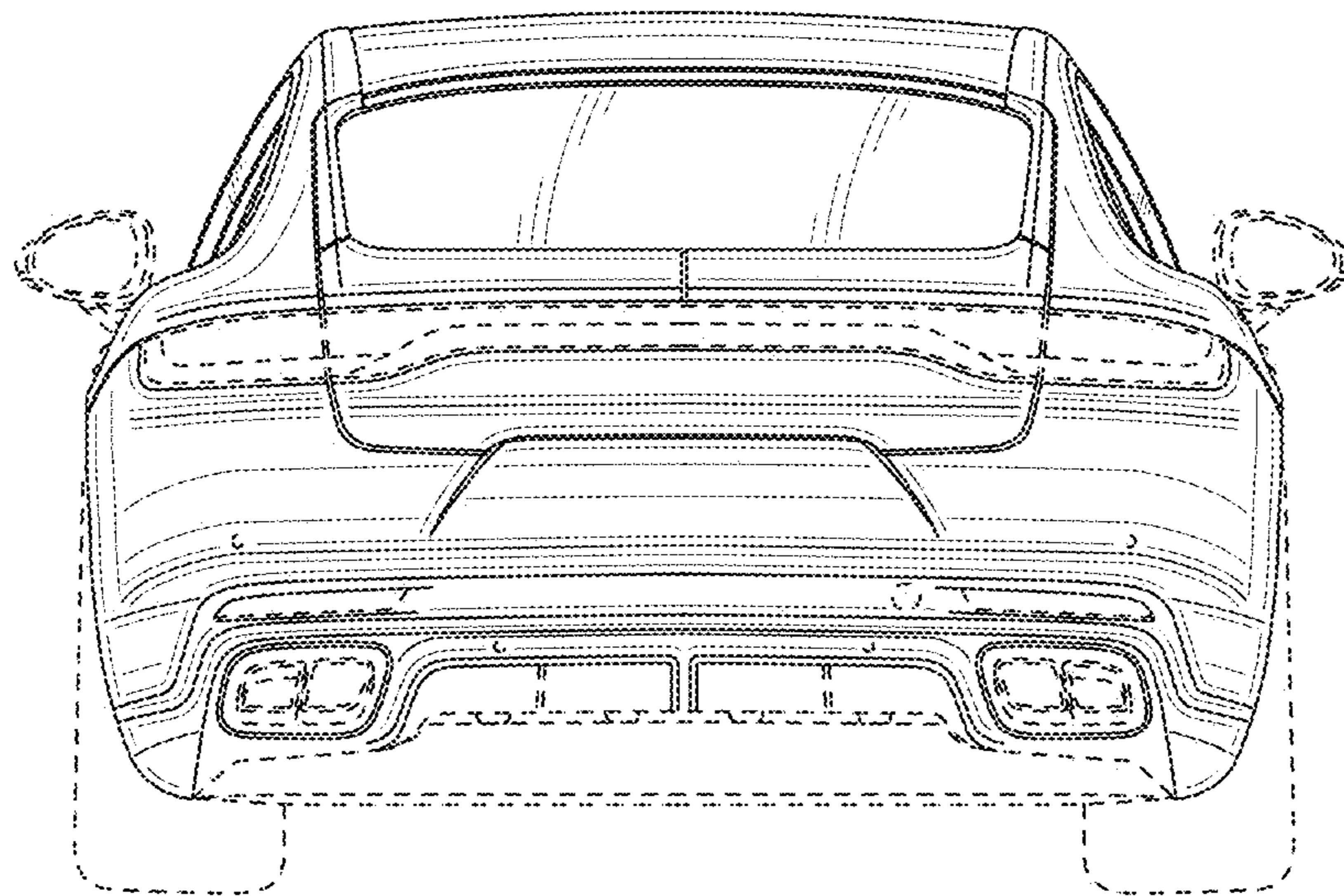


FIG. 4

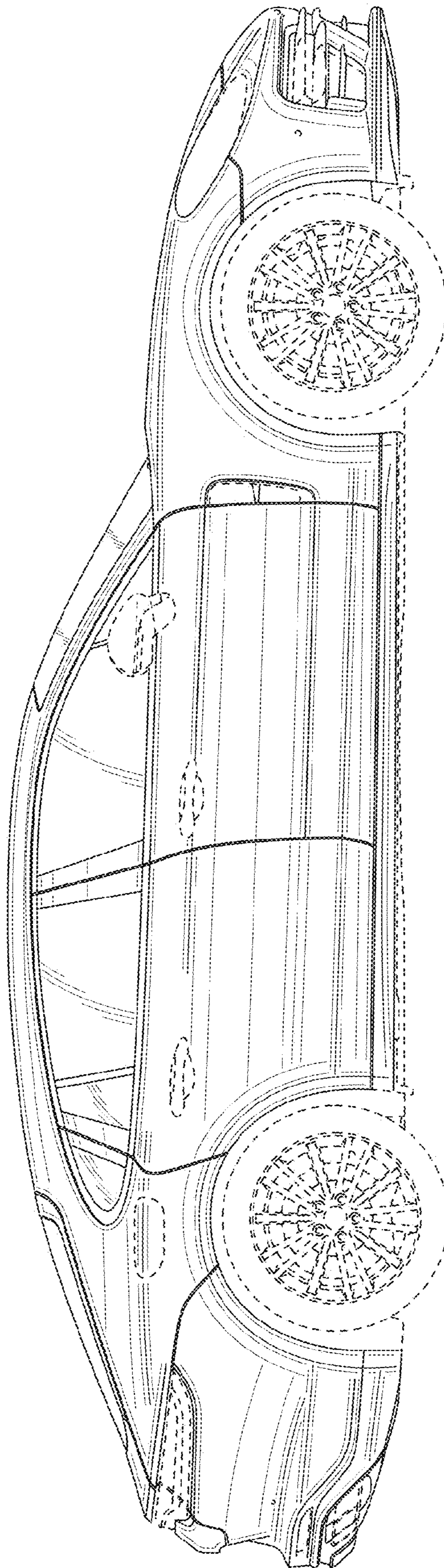


FIG. 5

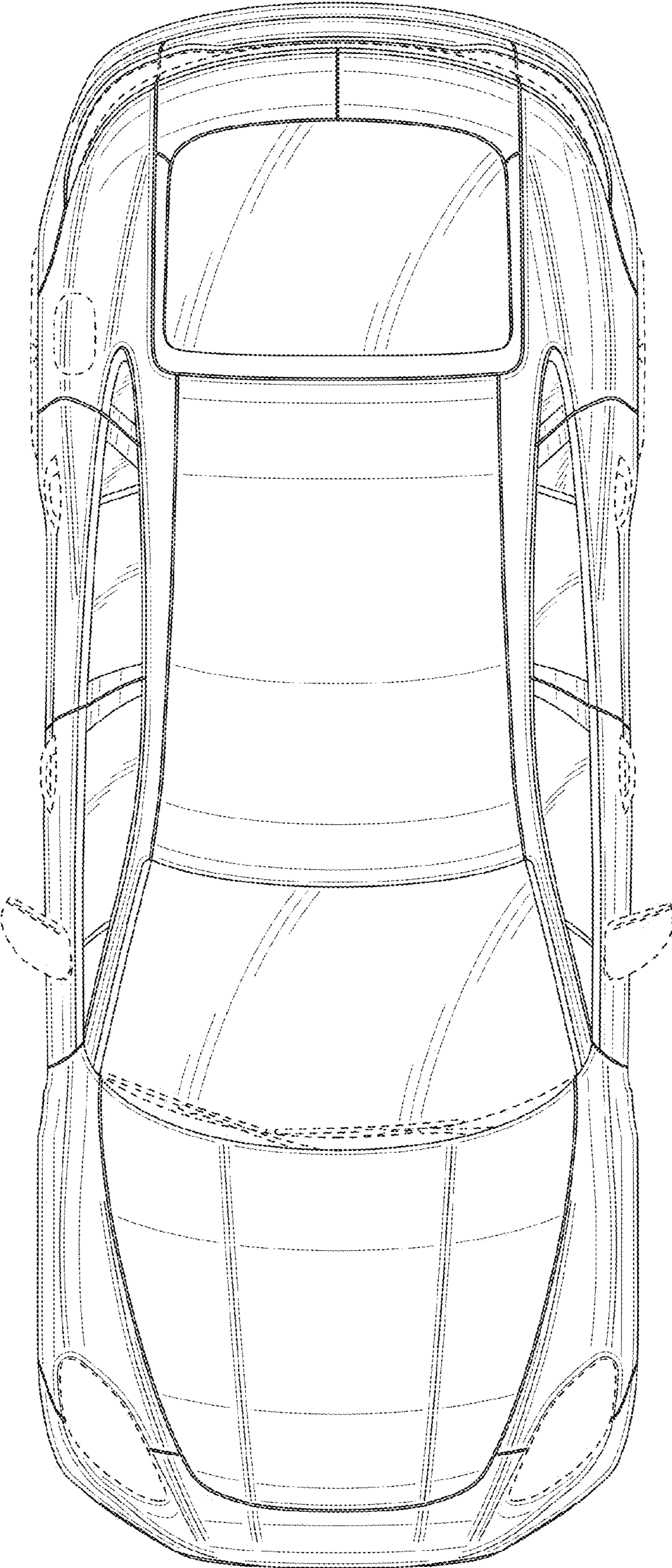


FIG. 6