



US00D913855S

(12) **United States Design Patent**  
**Wakabayashi et al.**

(10) **Patent No.:** **US D913,855 S**  
(45) **Date of Patent:** **\*\* Mar. 23, 2021**

- (54) **AUTOMOBILE AND/OR TOY REPLICA THEREOF**
- (71) Applicant: **Nissan Motor Co., Ltd.**, Kanagawa (JP)
- (72) Inventors: **Koji Wakabayashi**, Kanagawa (JP);  
**Takashi Utsunomiya**, Kanagawa (JP);  
**Marten Wallgren**, San Diego, CA (US)
- (73) Assignee: **Nissan Motor Co., Ltd.**, Yokohama (JP)

D684,900 S *	6/2013	Doyle	.....	D12/92
D686,536 S *	7/2013	McCabe	.....	D12/92
D695,645 S *	12/2013	Tase	.....	D12/91
D699,630 S *	2/2014	Abe	.....	D12/92
D710,761 S *	8/2014	Endo	.....	D12/92
D718,662 S *	12/2014	Ishizuka	.....	D12/92
D773,341 S *	12/2016	Liu	.....	D12/92
D799,379 S *	10/2017	Komuro	.....	D12/92
D805,957 S *	12/2017	Seo	.....	D12/91
D838,627 S *	1/2019	Ino	.....	D12/91
D871,970 S *	1/2020	Kusunoki	.....	D12/92
D896,128 S *	9/2020	Utsunomiya	.....	D12/91

\* cited by examiner

(\*\*) Term: **15 Years**

*Primary Examiner* — Melody N Brown

(21) Appl. No.: **29/709,088**

(74) *Attorney, Agent, or Firm* — Global IP Counselors, LLP

(22) Filed: **Oct. 11, 2019**

(57) **CLAIM**

(30) **Foreign Application Priority Data**

The ornamental design for an automobile and/or toy replica thereof, as shown and described.

Apr. 12, 2019 (JP) ..... 2019-008095

(51) **LOC (13) Cl.** ..... **12-08**

(52) **U.S. Cl.**  
USPC ..... **D12/92**

(58) **Field of Classification Search**  
USPC ..... D12/86, 90–92, 88, 164; D21/424, 433,  
D21/434; 296/181.1–181.5, 183.1  
CPC ..... B62D 25/00; B62D 25/06; B62D 33/00;  
B62D 35/00  
See application file for complete search history.

**DESCRIPTION**

(56) **References Cited**

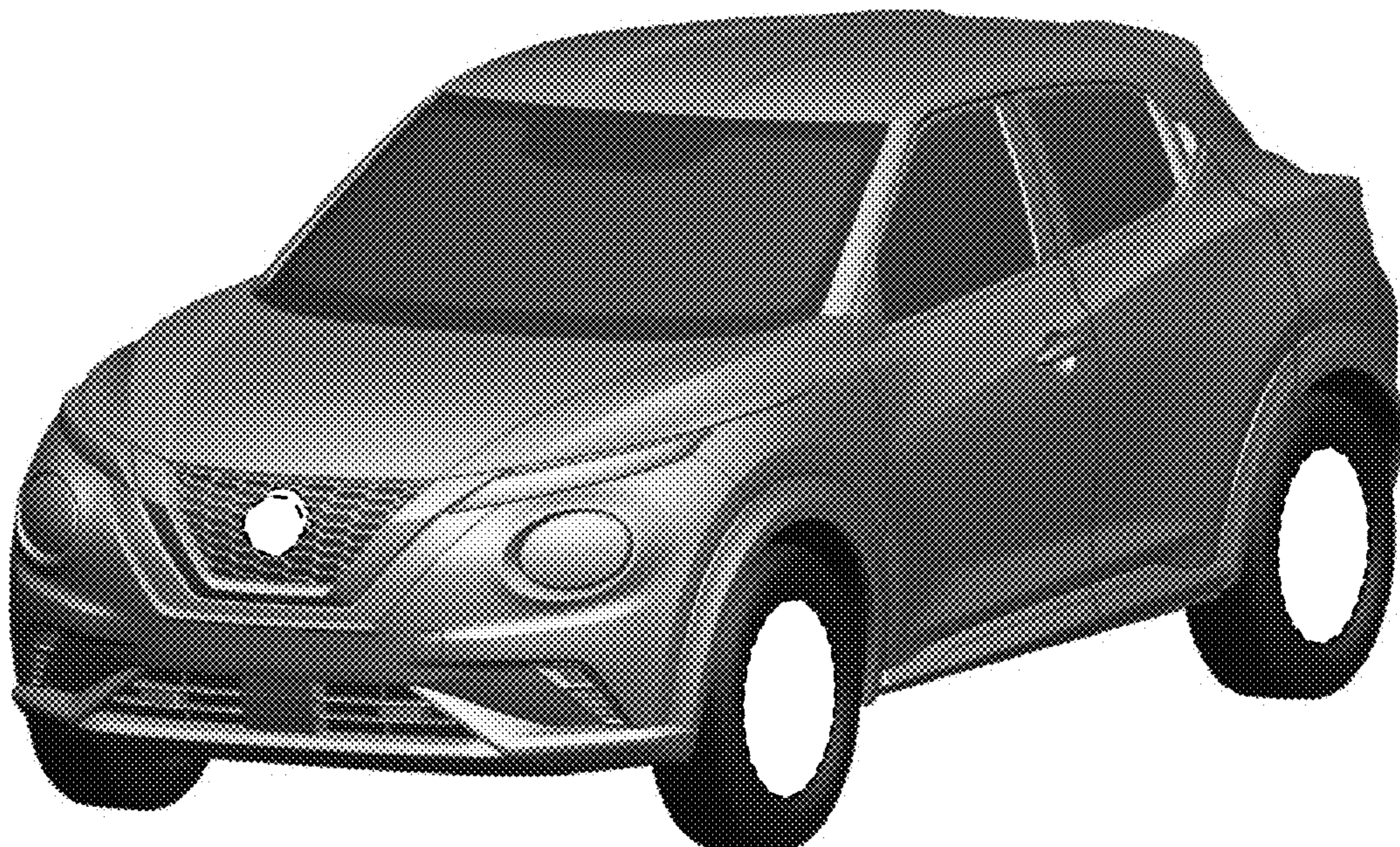
U.S. PATENT DOCUMENTS

D565,468 S *	4/2008	Abe	.....	D12/92
D646,205 S *	10/2011	Bittner	.....	D12/92
D668,182 S *	10/2012	Barba Franco	.....	D12/92
D683,269 S *	5/2013	Fuchigami	.....	D12/92

FIG. 1 is a front elevational view of an automobile and/or toy replica thereof showing our new design;  
FIG. 2 is a top plan view thereof;  
FIG. 3 is a left side elevational view thereof;  
FIG. 4 is a right side elevational view thereof;  
FIG. 5 is a left, front perspective view thereof;  
FIG. 6 is a right, rear perspective view thereof; and,  
FIG. 7 is a rear elevational view thereof.

The hidden surfaces from the bottom, obscured by a rear bumper, the wheels, and inside the wheel wells, but visible in the figures form no part of the claimed design. The broken line showing on the automobile and/or toy replica thereof is for the purpose of illustrating environmental structure and forms no part of the claimed design.

**1 Claim, 7 Drawing Sheets**



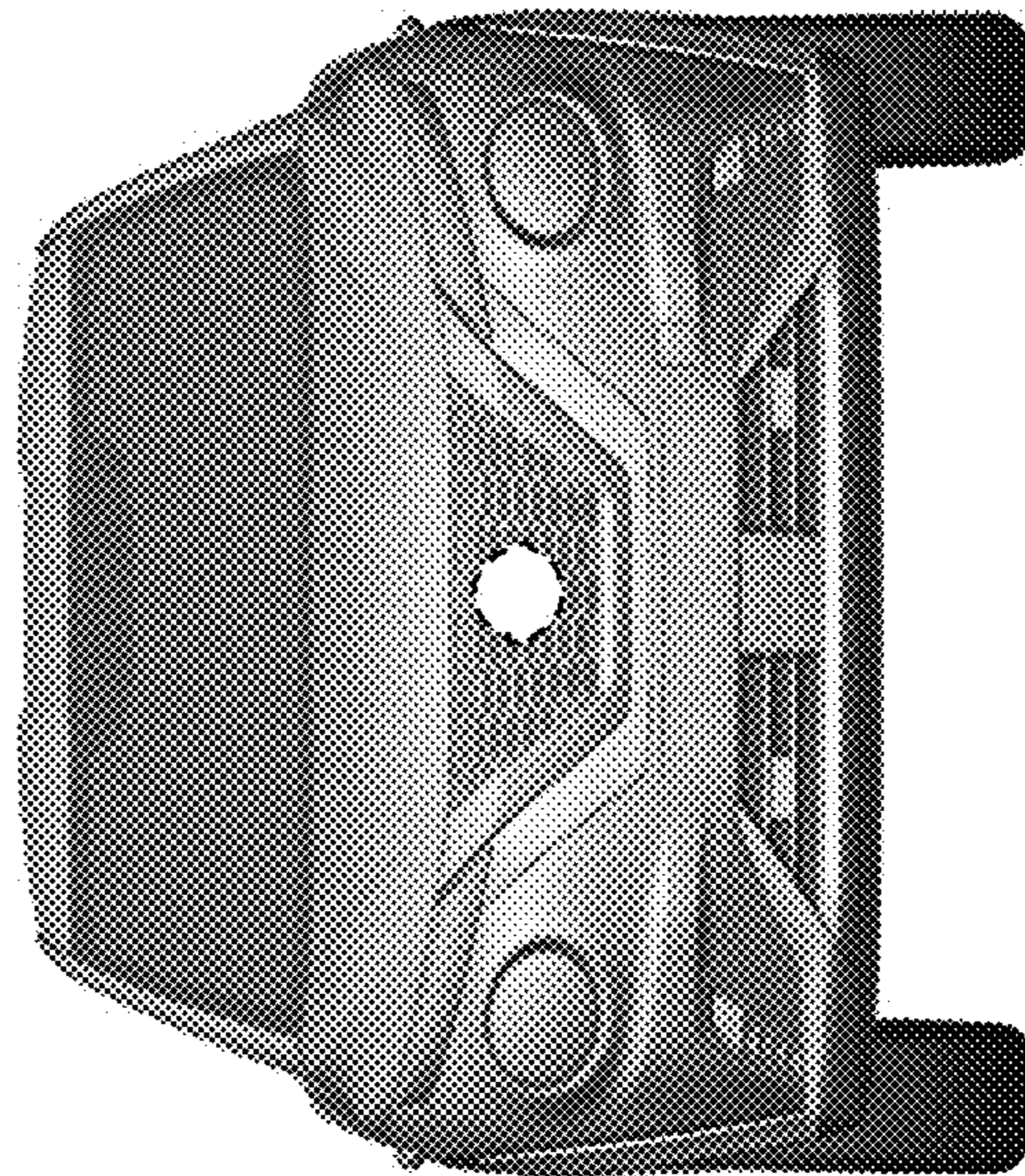


FIG. 1

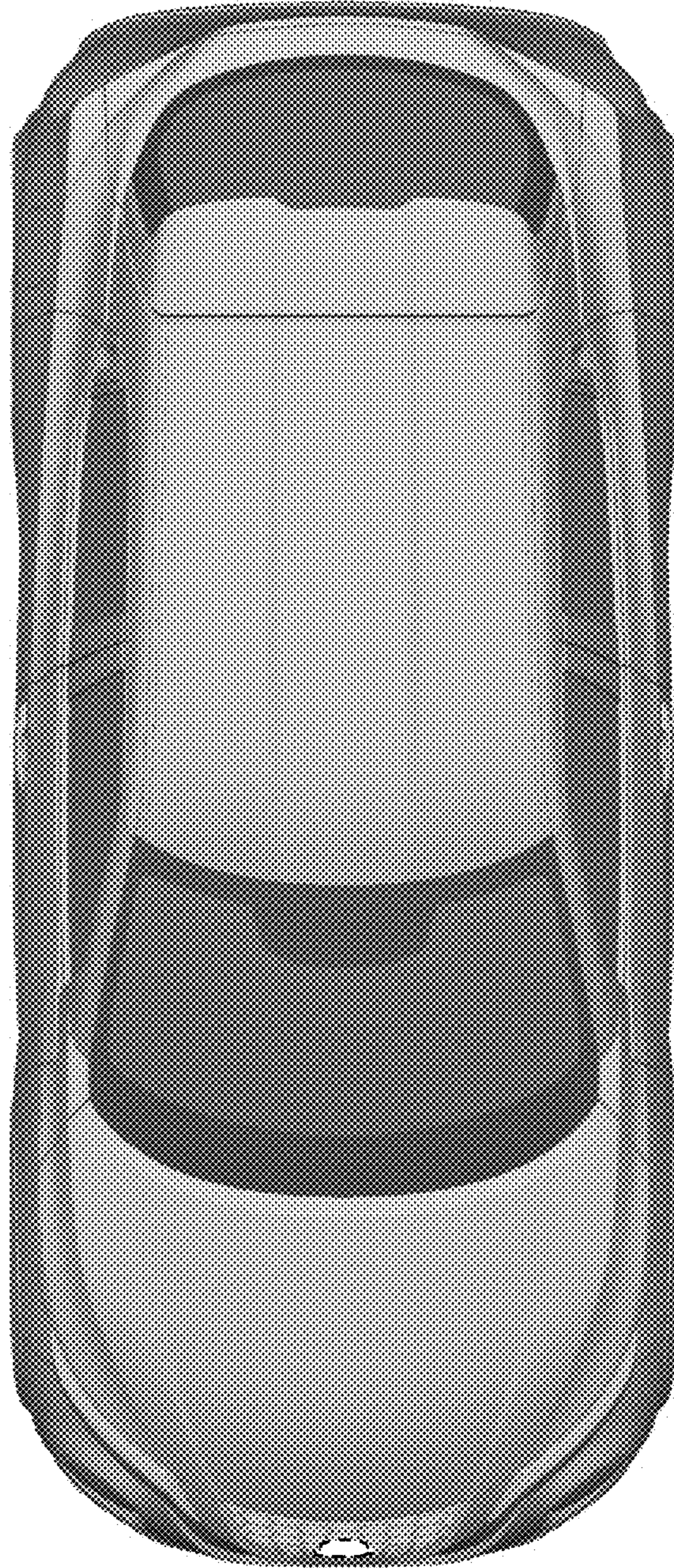


FIG. 2

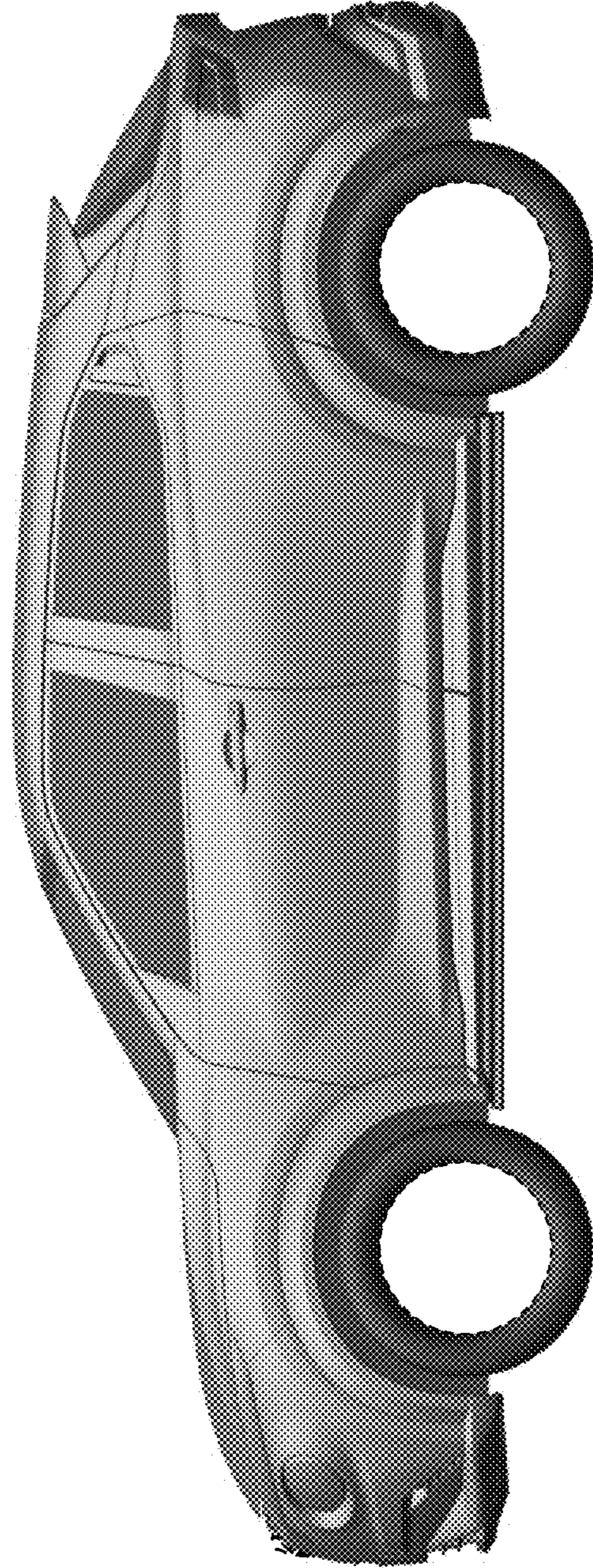


FIG. 3

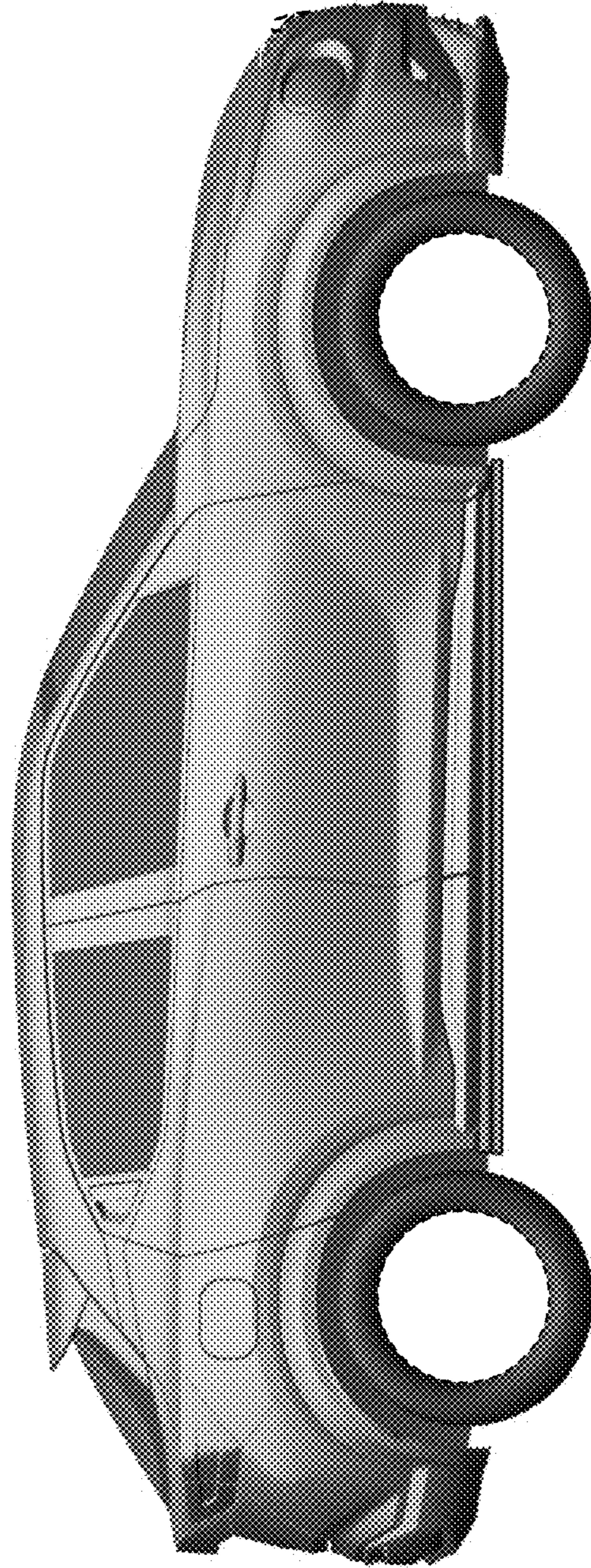


FIG. 4



FIG. 5

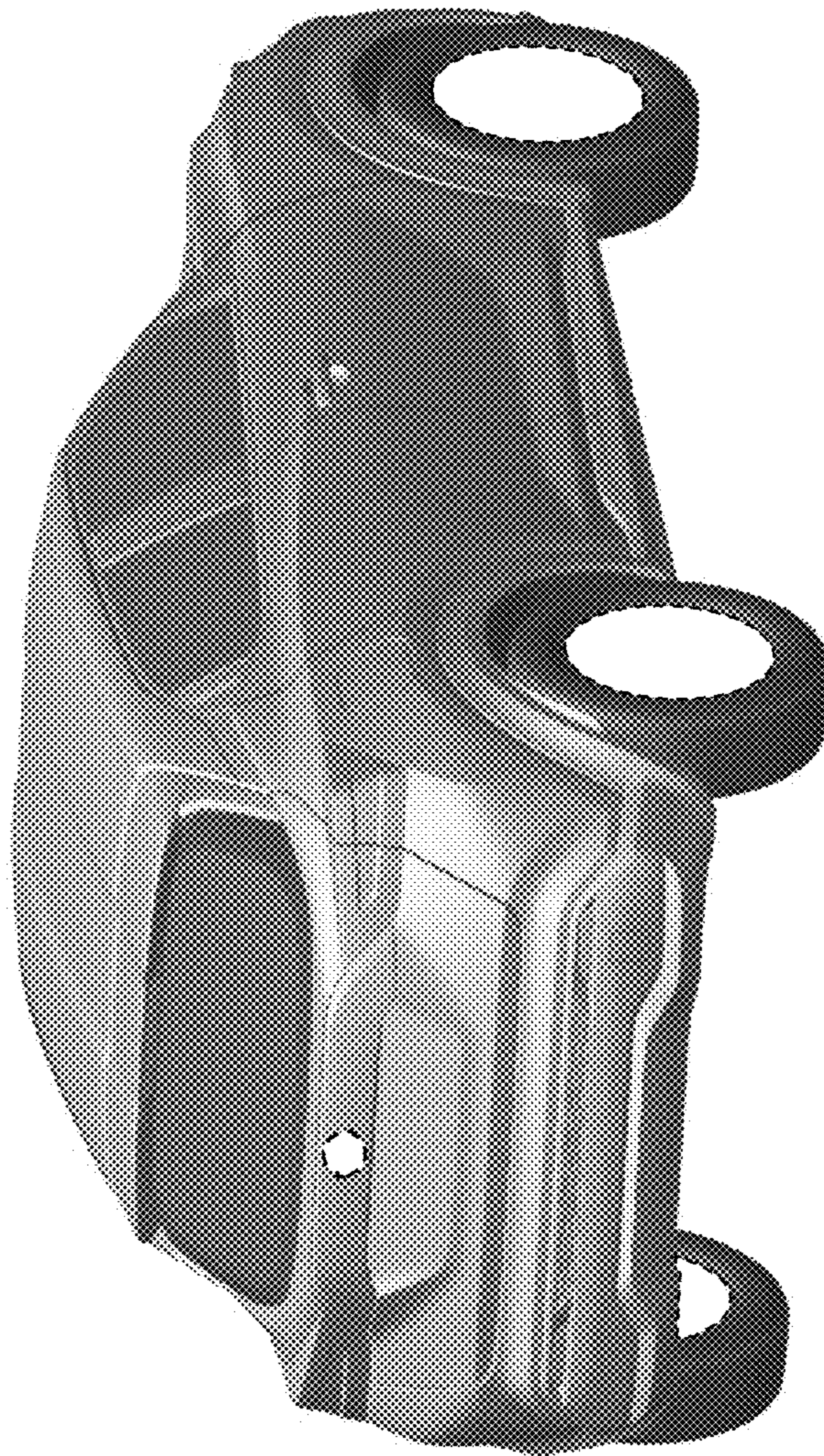


FIG. 6



FIG. 7