



US00D913852S

(12) **United States Design Patent**  
**Wraith et al.**

(10) **Patent No.:** **US D913,852 S**

(45) **Date of Patent:** **\*\* Mar. 23, 2021**

(54) **MOTOR VEHICLE, TOY REPLICA, AND/OR OTHER REPLICA**

(71) Applicant: **Ford Global Technologies, LLC**,  
Dearborn, MI (US)

(72) Inventors: **Paul Wraith**, West Bloomfield, MI (US); **Daniel J. Kangas**, Livonia, MI (US); **Anthony Meyer**, Royal Oak, MI (US); **Martin B. Coons**, Detroit, MI (US); **Joseph F. Denatale, Jr.**, Royal Oak, MI (US); **Daniel C. Broaddus**, Novi, MI (US)

(73) Assignee: **Ford Global Technologies, LLC**,  
Dearborn, MI (US)

(\*\*) Term: **15 Years**

(21) Appl. No.: **29/711,427**

(22) Filed: **Oct. 31, 2019**

(51) **LOC (13) Cl.** ..... **12-08**

(52) **U.S. Cl.**  
USPC ..... **D12/91**

(58) **Field of Classification Search**  
USPC ..... D12/86, 90-92, 88; D21/424, 433, 434;  
296/181.1-181.5, 183.1  
CPC ..... B62D 25/00; B62D 25/06; B62D 33/00;  
B62D 35/00

See application file for complete search history.

(56) **References Cited**

U.S. PATENT DOCUMENTS

D801,860 S	*	11/2017	Piscitelli	.....	D12/91
D810,626 S	*	2/2018	Macey	.....	D12/91
D827,495 S	*	9/2018	Piscitelli	.....	D12/91
D840,270 S	*	2/2019	Goodrich	.....	D12/91
D840,271 S	*	2/2019	Goodrich	.....	D12/91

\* cited by examiner

*Primary Examiner* — Melody N Brown

(74) *Attorney, Agent, or Firm* — Michael Spenner

(57) **CLAIM**

The ornamental design for a motor vehicle, toy replica, and/or other replica, as shown and described.

**DESCRIPTION**

FIG. 1 is a front elevational view of a motor vehicle, toy replica, and/or other replica showing our new design;  
FIG. 2 is a rear elevational view thereof;  
FIG. 3 is a left side elevational view thereof;  
FIG. 4 is a right side elevational view thereof;  
FIG. 5 is a top plan view thereof.  
FIG. 6 is a top, front, and left side perspective view thereof;  
and,  
FIG. 7 is a top, rear, and left side perspective view thereof.

**1 Claim, 7 Drawing Sheets**



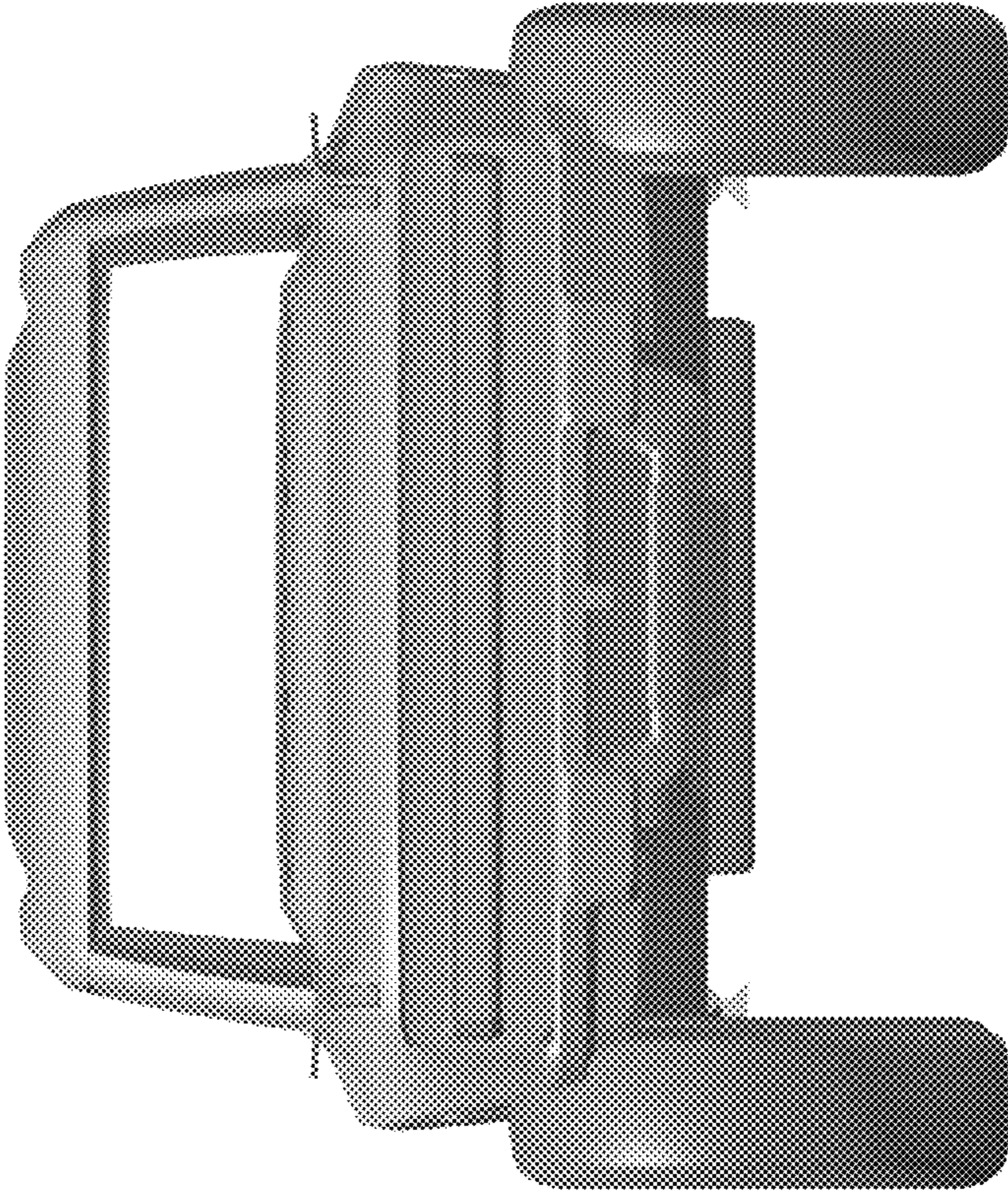


Fig. 1

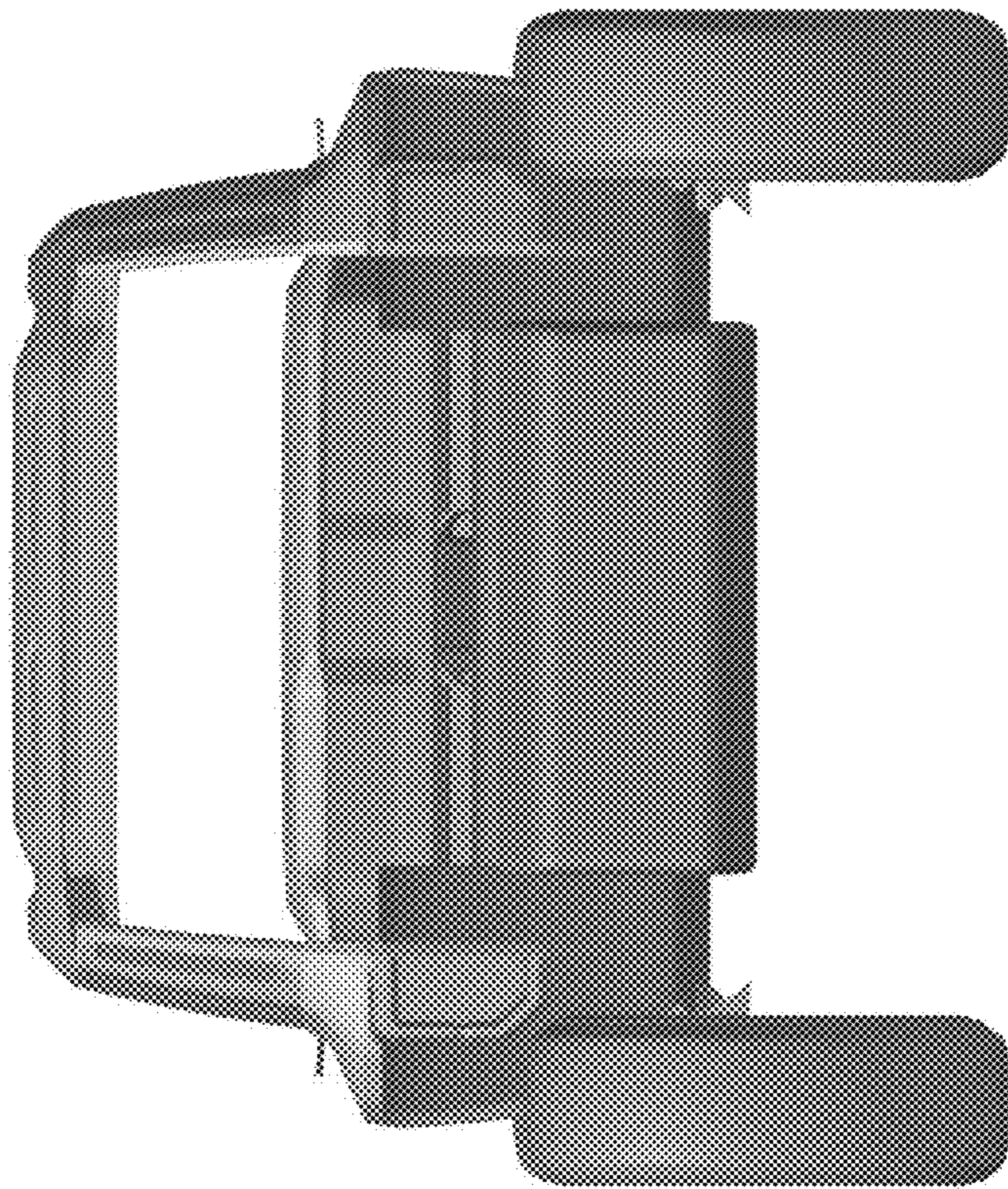


Fig.2

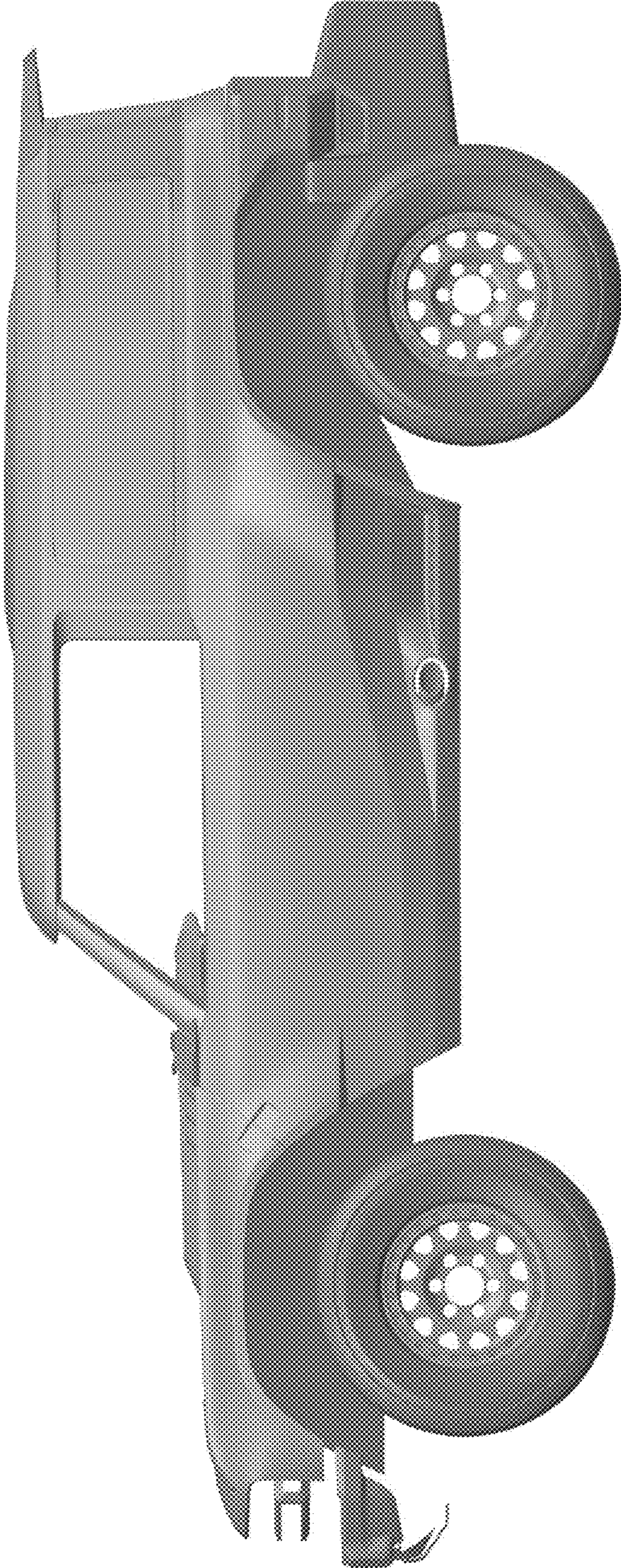


Fig. 3

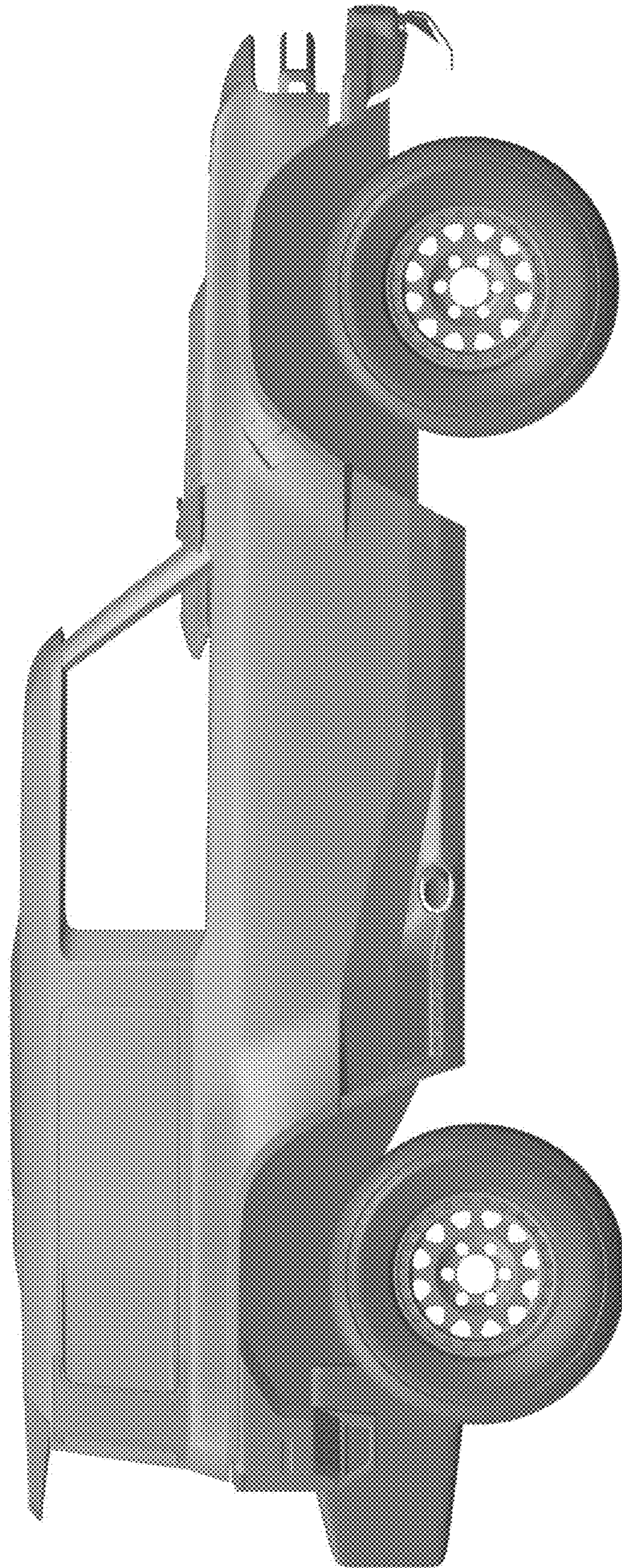


Fig.4



Fig. 5

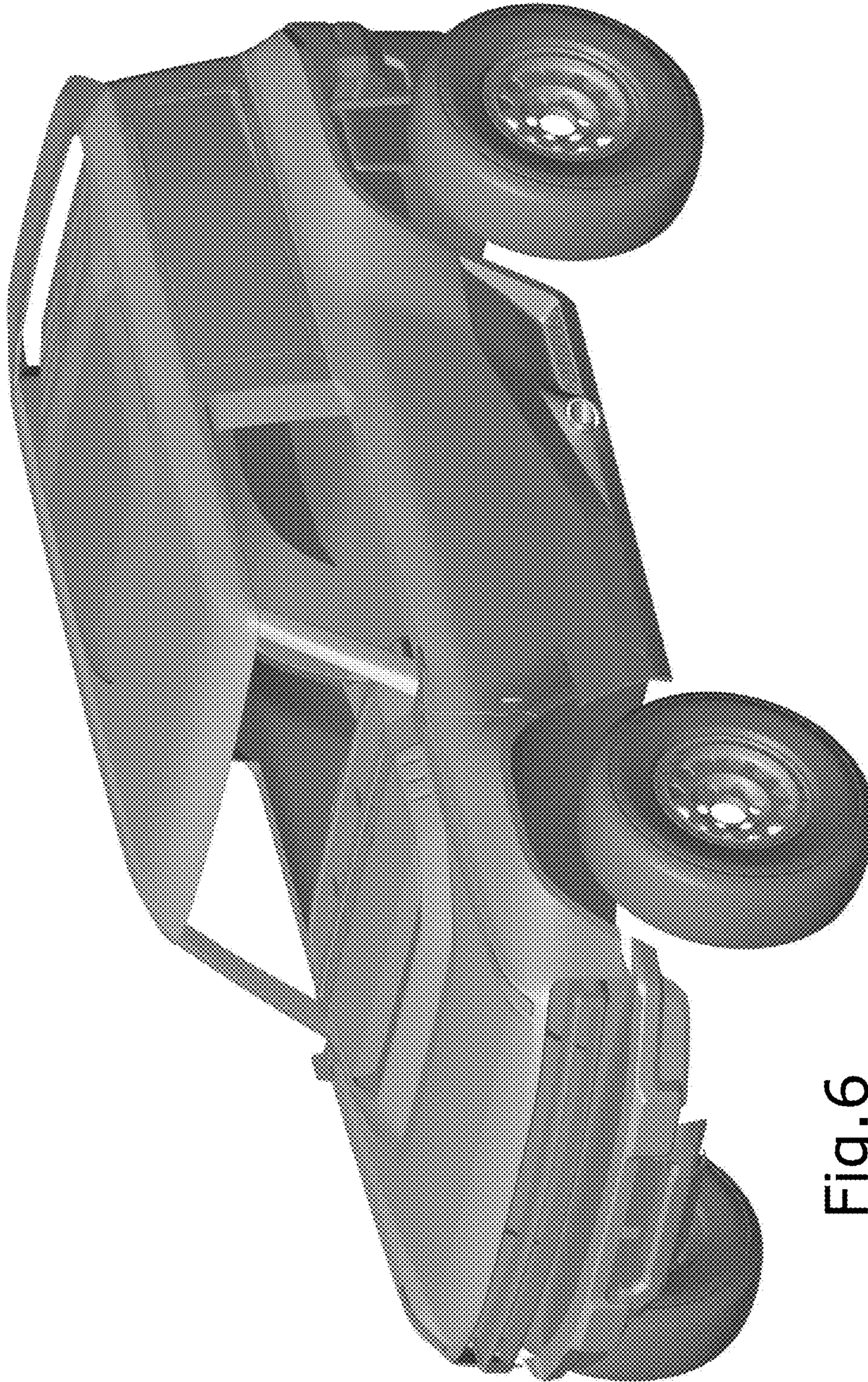


Fig. 6

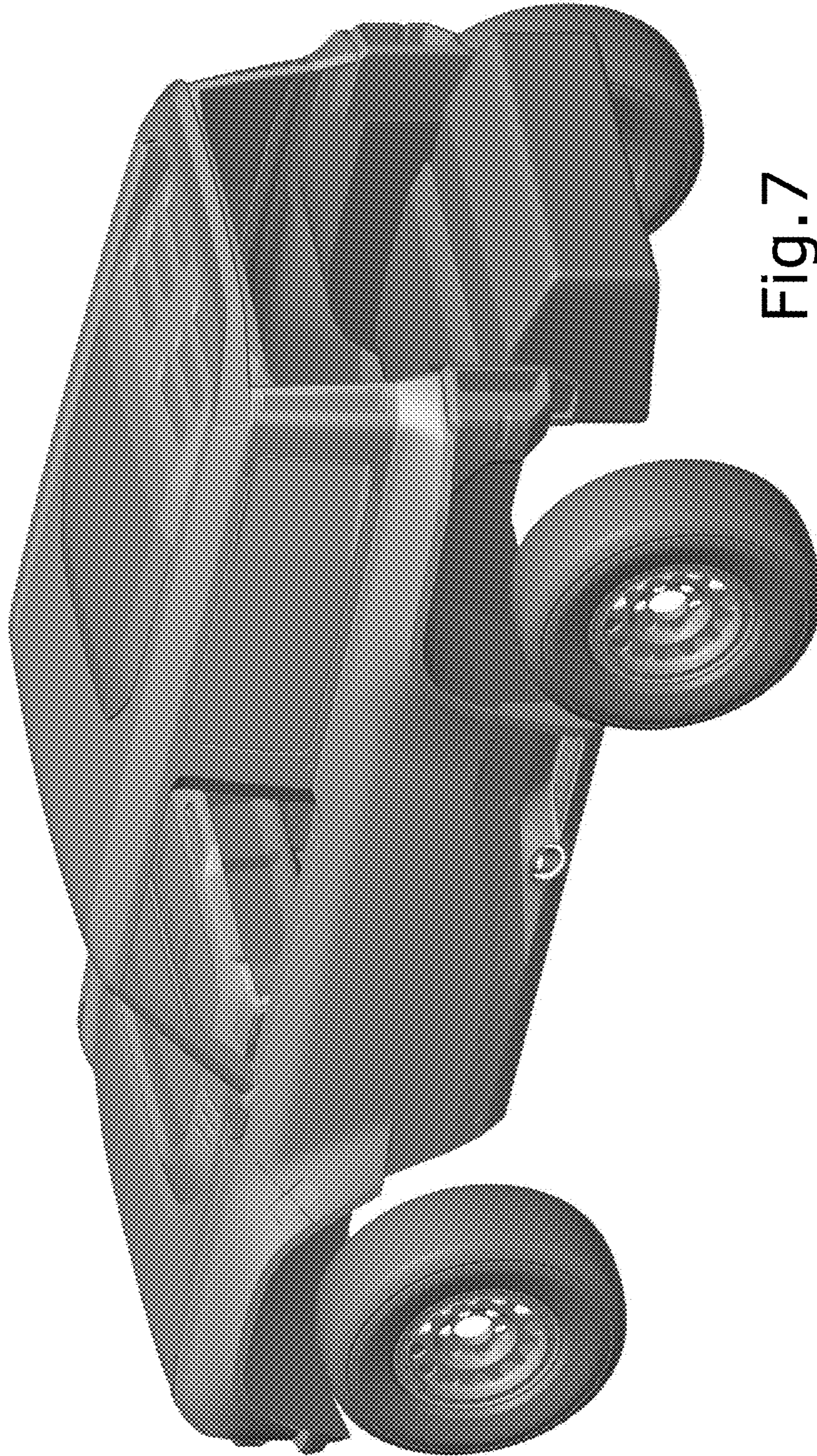


Fig. 7