



US00D913851S

(12) **United States Design Patent** (10) **Patent No.:** **US D913,851 S**
Piaskowski et al. (45) **Date of Patent:** **** Mar. 23, 2021**

(54) **MOTOR VEHICLE, TOY REPLICA, AND/OR OTHER REPLICA**

(71) Applicant: **Ford Global Technologies, LLC**, Dearborn, MI (US)

(72) Inventors: **Joel Piaskowski**, Birmingham, MI (US); **Gordon M. Platto**, Troy, MI (US); **Jason Castriota**, Stamford, CT (US); **Christopher G. Walter**, Traverse City, MI (US); **Murat Gueler**, Pulheim (DE); **Colin R. Bonathan**, Dearborn, MI (US); **Omead Dorandishyazdi**, Superior Township, MI (US); **Liviu Tudoran**, Cologne (DE); **Thomas Morel**, Dusseldorf (DE); **Sean Peterson**, Oak Park, MI (US); **Eric Stoddard**, Birmingham, MI (US); **Aditya Narayan**, Detroit, MI (US)

(73) Assignee: **Ford Global Technologies, LLC**, Dearborn, MI (US)

(**) Term: **15 Years**

(21) Appl. No.: **29/708,979**

(22) Filed: **Oct. 10, 2019**

(51) **LOC (13) Cl.** **12-08**

(52) **U.S. Cl.**
USPC **D12/91**

(58) **Field of Classification Search**
USPC D12/86, 90–92, 88, 164; D21/424, 433, D21/434; 296/181.1–181.5, 183.1
CPC B62D 25/00; B62D 25/06; B62D 33/00; B62D 35/00
See application file for complete search history.

(56) **References Cited**

U.S. PATENT DOCUMENTS

D710,762 S 8/2014 Mays et al.
D714,690 S 10/2014 Mays et al.

D724,494 S 3/2015 Kaoud et al.
D741,228 S 10/2015 Curic et al.
D741,229 S 10/2015 Curic et al.
D814,976 S 4/2018 Behmer et al.
D821,922 S 7/2018 Behmer et al.
D835,005 S 12/2018 Behmer et al.
D885,257 S * 5/2020 Churchill D12/91
D896,126 S * 9/2020 Platto D12/91

OTHER PUBLICATIONS

Meghan Drummond, 2020 Mustang Hybrid, <https://www.cjponyparts.com/resources/2020-mustang-hybrid> Sep. 13, 2019.
Andrew Krok, Ford’s ‘Mustang-inspired’ electric SUV: Everything we know, <https://www.cnet.com/roadshow/news/ford-mustang-inspired-electric-sub-details-rumors> Oct. 2, 2019.
Ford News Clips—Briefing, Ford’s EV Strategy takes Shape in Search For Popularity and Profit, Sep. 3, 2019.

* cited by examiner

Primary Examiner — Melody N Brown

(74) *Attorney, Agent, or Firm* — Michael Spenner

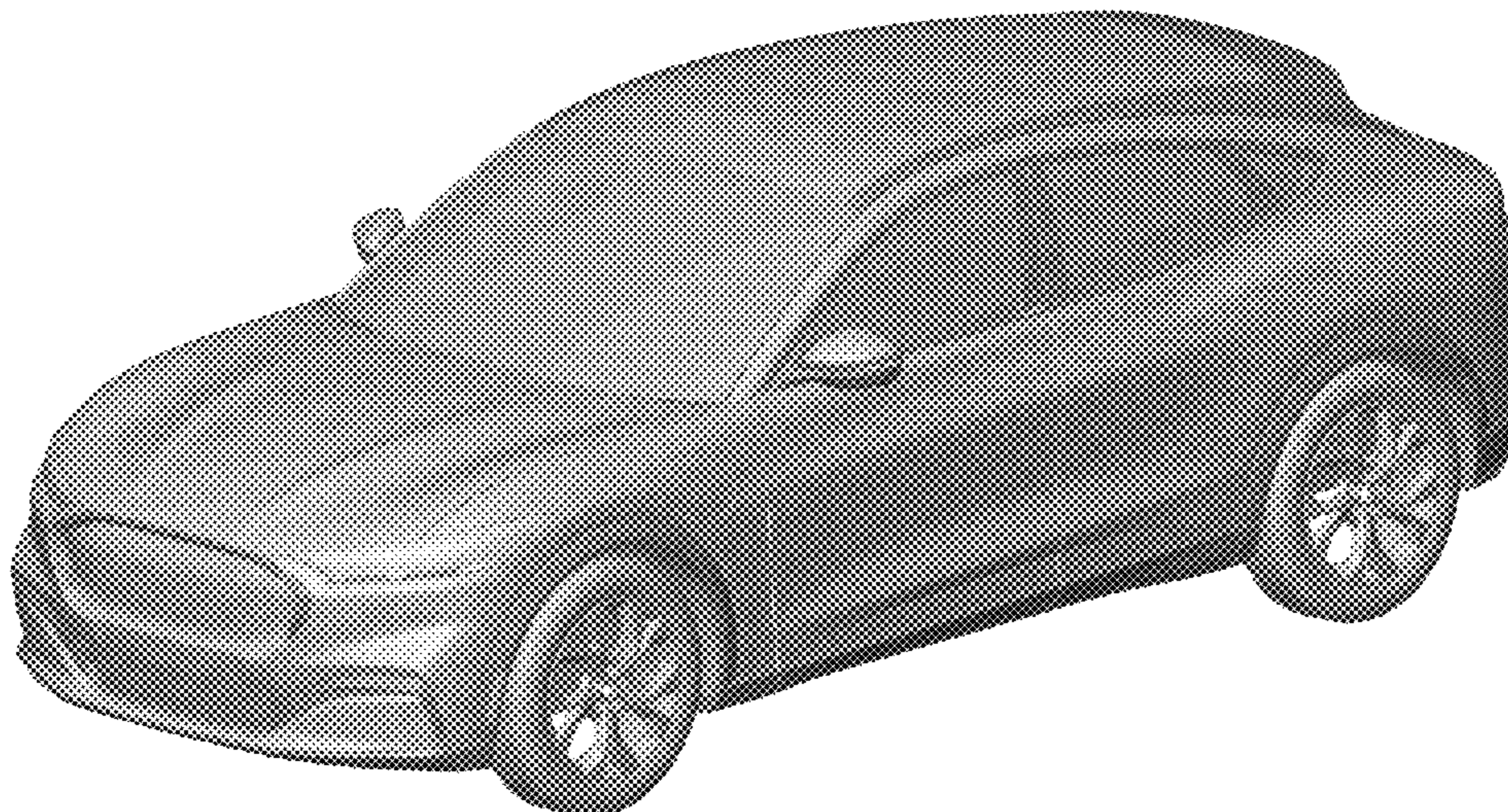
(57) **CLAIM**

The ornamental design for a motor vehicle, toy replica, and/or other replica, as shown and described.

DESCRIPTION

FIG. 1 is a front elevational view of a motor vehicle, toy replica, and/or other replica showing our new design;
FIG. 2 is a rear view thereof;
FIG. 3 is a left side elevational view thereof;
FIG. 4 is a right side elevational view thereof;
FIG. 5 is a top plan view thereof;
FIG. 6 is a top, front and left side perspective view thereof; and,
FIG. 7 is a top, rear, and left side perspective view thereof.

1 Claim, 7 Drawing Sheets



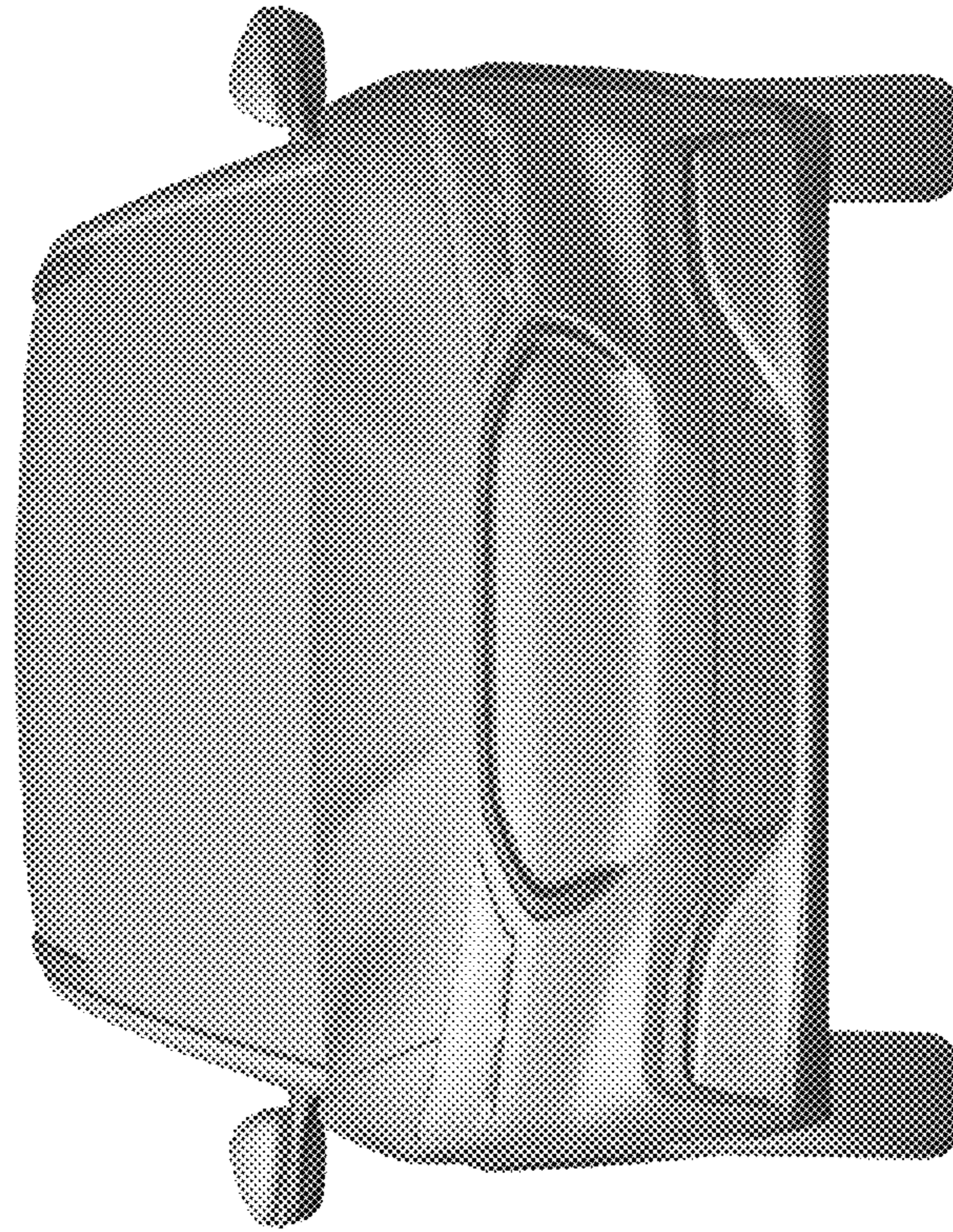


Fig. 1

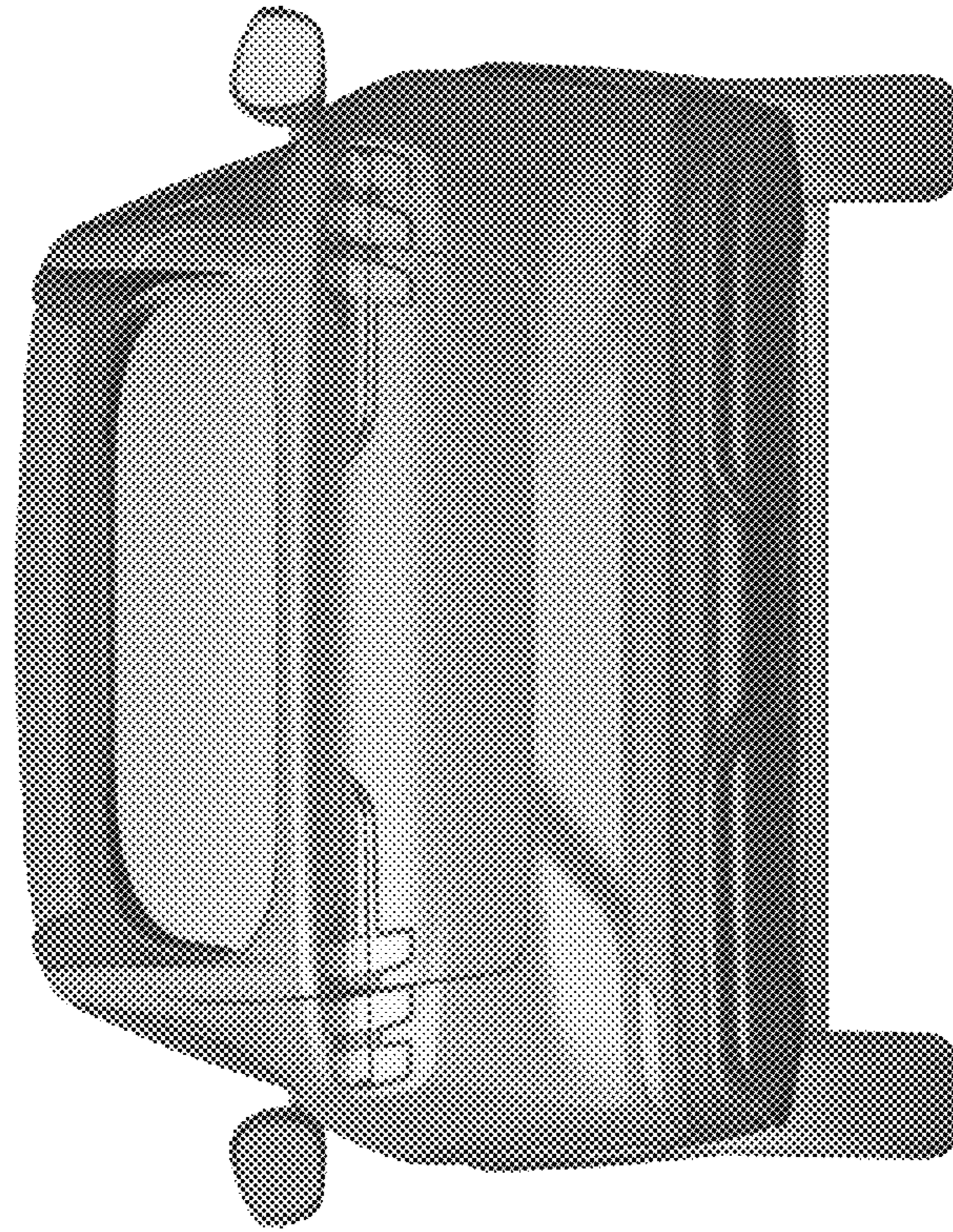


Fig. 2

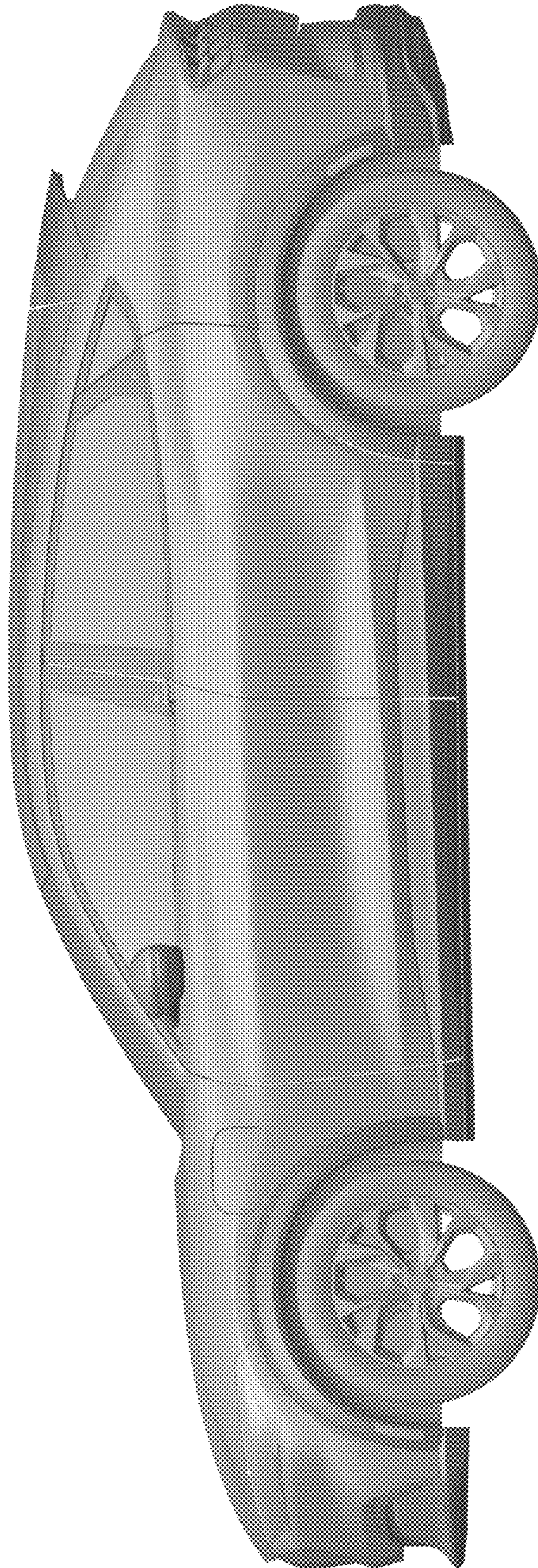


Fig.3

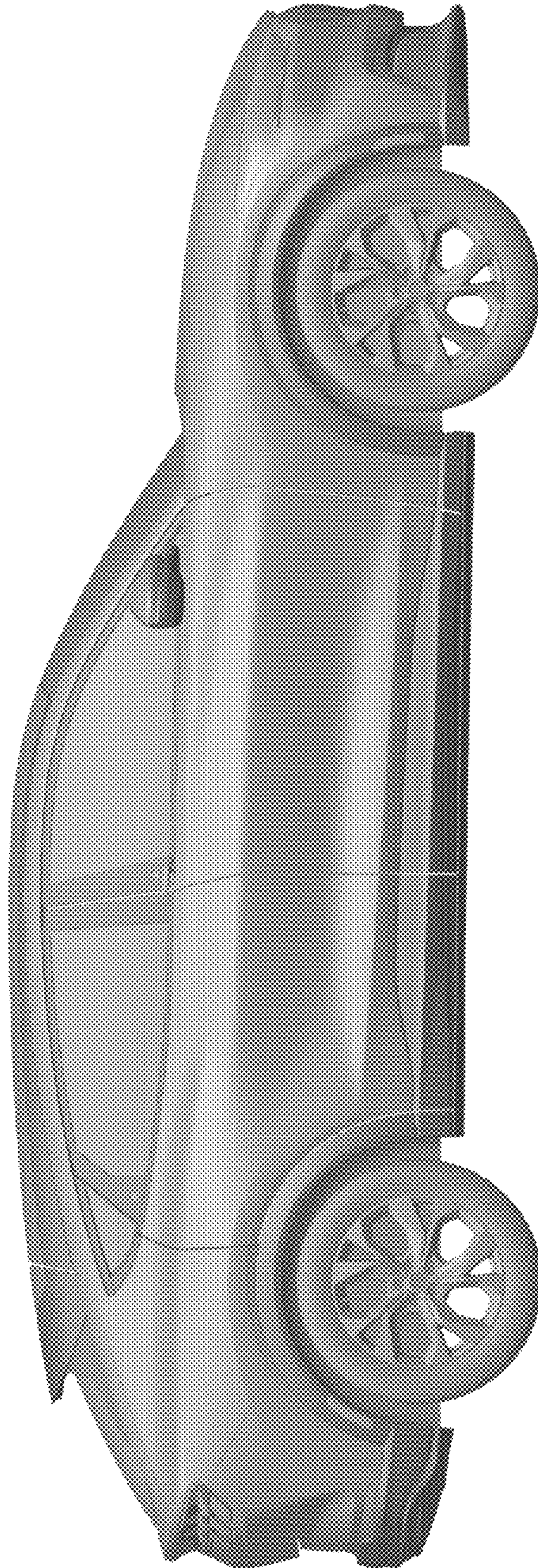


Fig.4

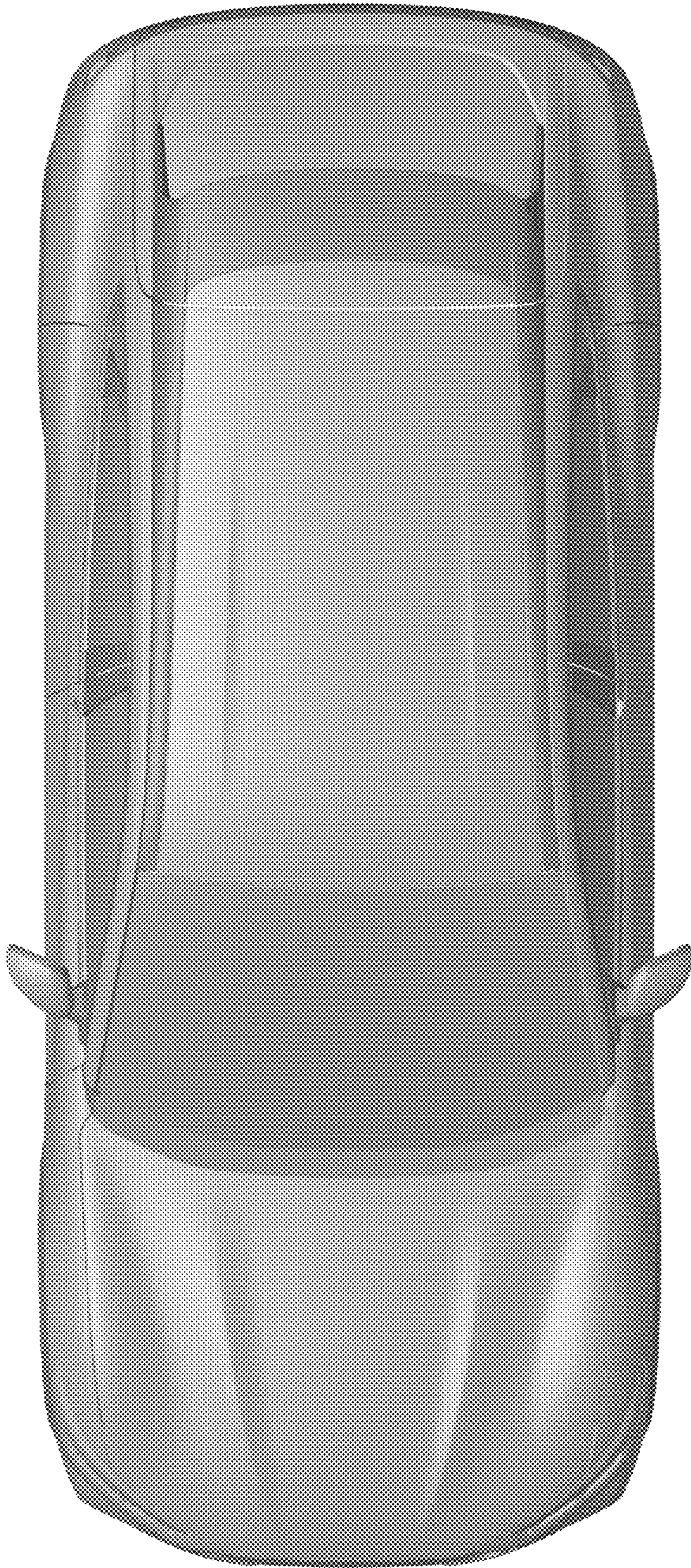


Fig. 5

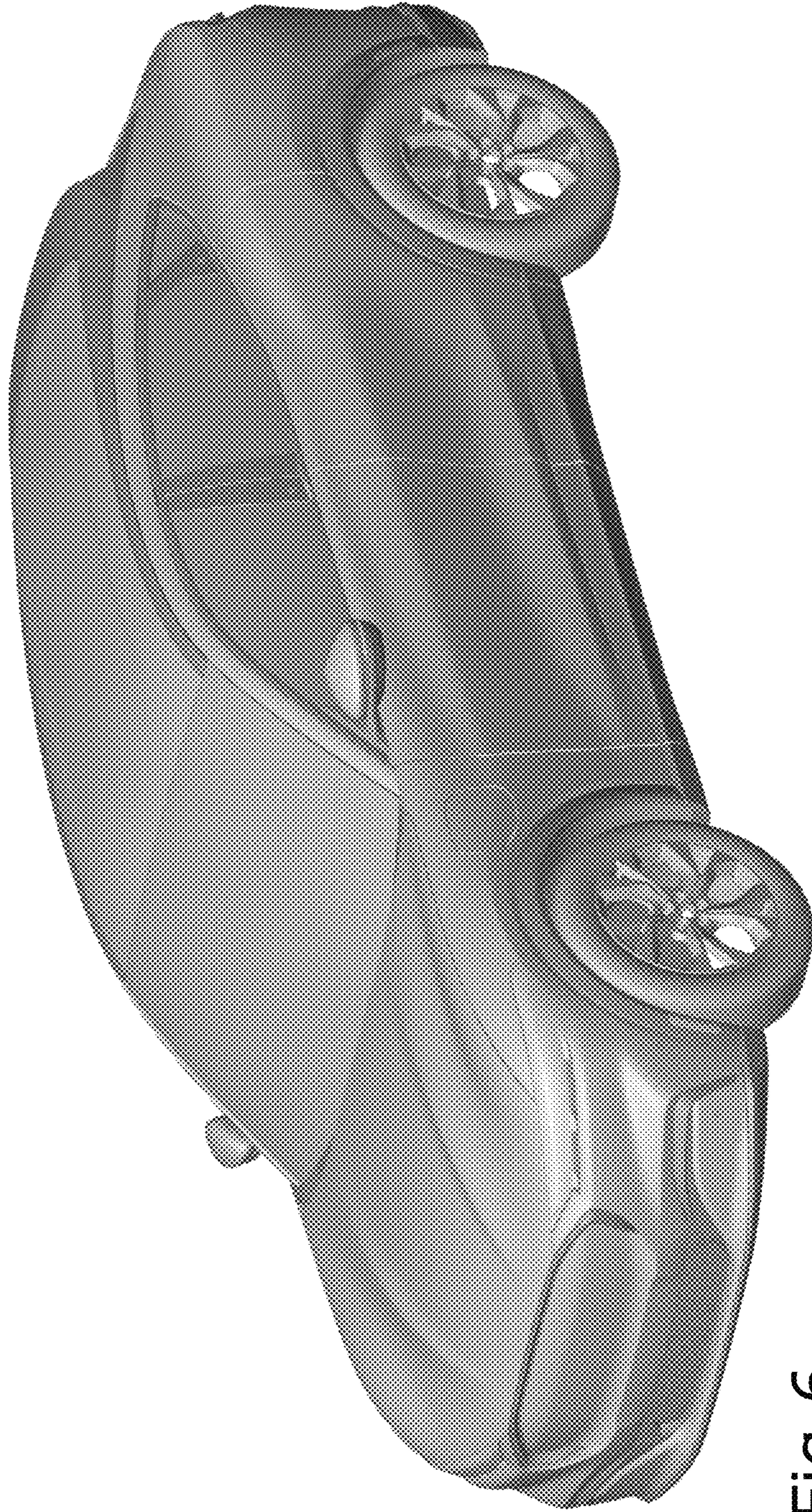


Fig. 6

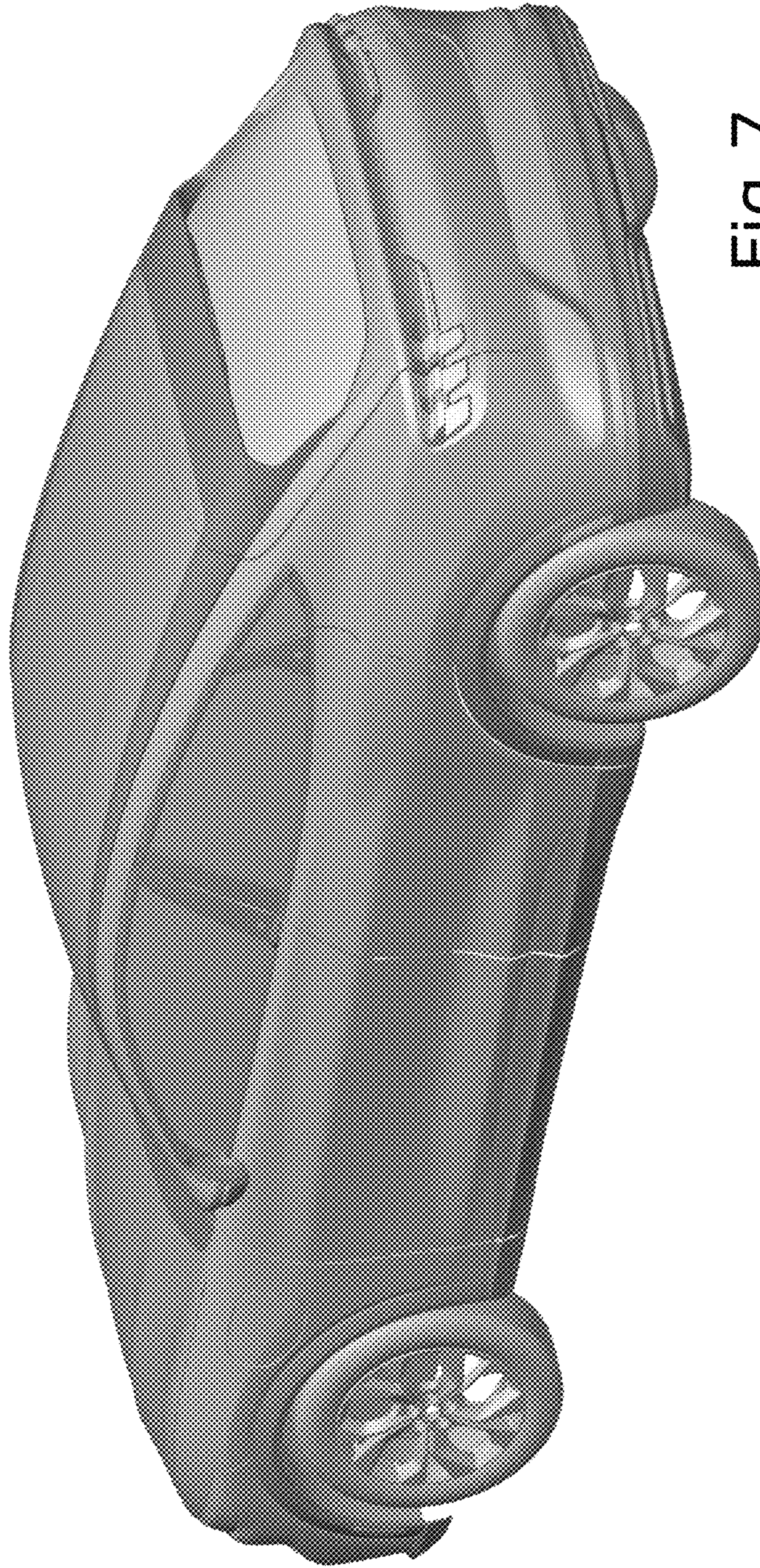


Fig. 7