



US00D913847S

(12) **United States Design Patent**
Hashimoto et al.

(10) **Patent No.:** **US D913,847 S**
(45) **Date of Patent:** **** Mar. 23, 2021**

(54) **UTILITY VEHICLE**

(71) Applicant: **Kawasaki Jukogyo Kabushiki Kaisha,**
Kobe (JP)

(72) Inventors: **Naoki Hashimoto,** Kakogawa (JP);
Hidefumi Yasuhara, Kobe (JP)

(73) Assignee: **KAWASAKI JUKOGYO**
KABUSHIKI KAISHA

D727,794 S *	4/2015	Tandrup	D12/87
D730,239 S *	5/2015	Gonzalez	D12/14
D736,118 S *	8/2015	Hashimoto	D12/87
D755,077 S *	5/2016	Lyons	D12/14
D762,517 S *	8/2016	Hashimoto	D12/14
D764,350 S *	8/2016	Okuyama	D12/14
D764,972 S *	8/2016	Gonzalez	D12/14
D772,755 S *	11/2016	Tandrup	D12/14
D787,371 S *	5/2017	Hashimoto	D12/14
D800,015 S *	10/2017	Lyons	D12/16
D810,619 S *	2/2018	Hashimoto	D12/14

(Continued)

(**) Term: **15 Years**

(21) Appl. No.: **29/708,172**

(22) Filed: **Oct. 3, 2019**

(51) **LOC (13) Cl.** **12-08**

(52) **U.S. Cl.**
USPC **D12/87**

(58) **Field of Classification Search**
USPC D12/1, 86, 87, 433, 15, 16, 107, 90, 91,
D12/92, 93; D21/803
CPC B62D 23/00; B62D 21/18; B62D 24/02;
B62D 25/00; B62D 39/00; B62D 49/06;
B62D 7/22; B62B 5/04; B62B 13/10;
B62B 19/04; B62C 9/00
See application file for complete search history.

(56) **References Cited**

U.S. PATENT DOCUMENTS

D327,864 S *	7/1992	Siegel	D12/100
D497,324 S *	10/2004	Chestnut	D12/1
D586,694 S *	2/2009	Huang	D12/14
D631,395 S *	1/2011	Tandrup	D12/14
D633,006 S *	2/2011	Sanschagrín	D12/1
D634,758 S *	3/2011	Mack	D15/10
D642,493 S *	8/2011	Goebert	D12/87
D712,309 S *	9/2014	Wu	D12/14
D714,186 S *	9/2014	Wu	D12/14
D717,695 S *	11/2014	Matsumura	D12/14
D724,997 S *	3/2015	Brew	D12/14

OTHER PUBLICATIONS

“XUV855M S4 (2021) Crossover Utility Vehicle” John Deere.,
posted date Jun. 6, 2014 [online], [retrieved on Nov. 27, 2020].
Retrieved from the Internet: <URL:https://www.deere.com/en/gator-
utility-vehicles/full-size-crossover-gators/xuv855m-s4-utility-vehicle-
2021/> (Year: 2014).*

(Continued)

Primary Examiner — Darlington Ly
Assistant Examiner — Nasim Abdulaziz Ali

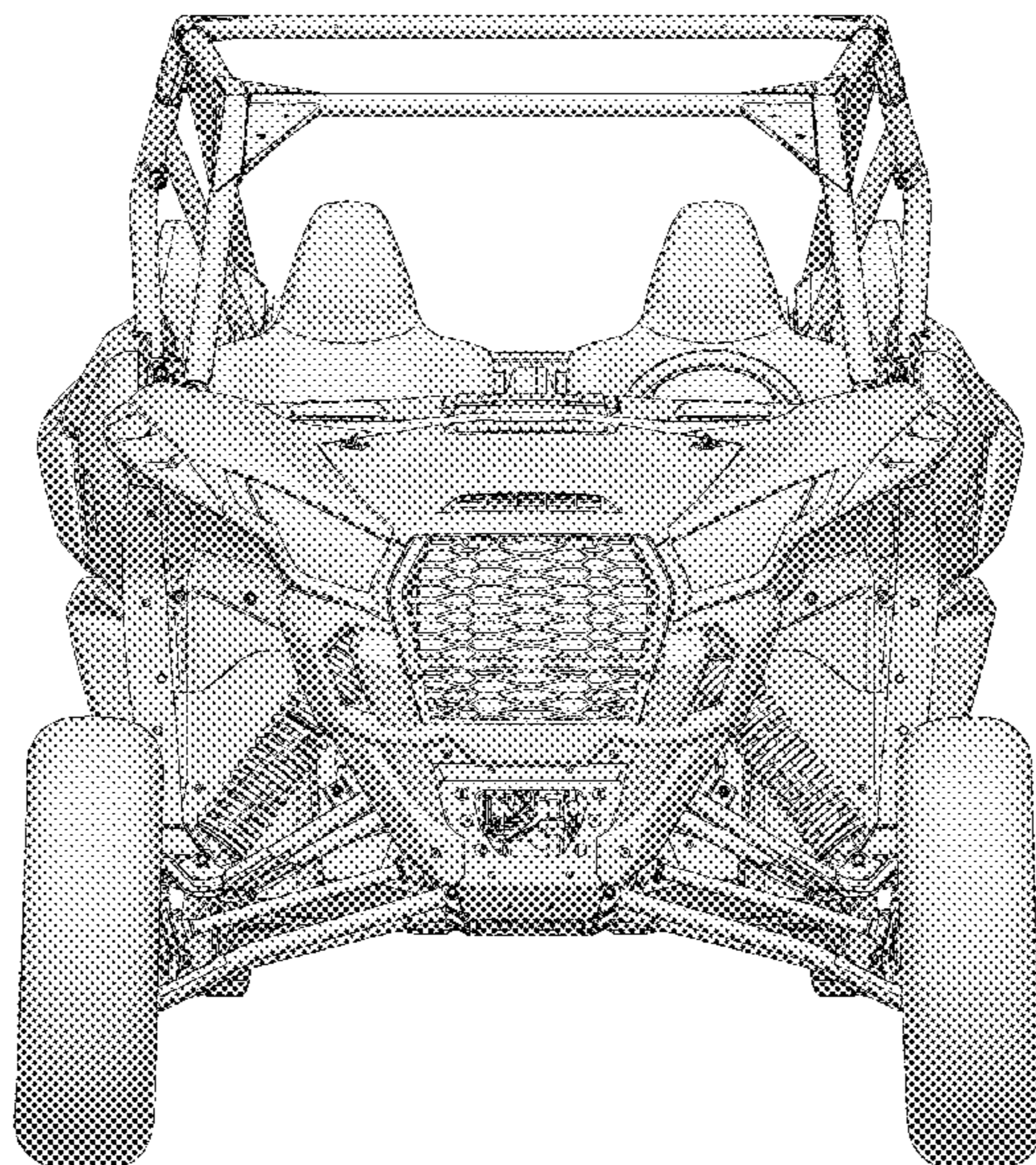
(57) **CLAIM**

The ornamental design for a utility vehicle, as shown and
described.

DESCRIPTION

FIG. 1 is a front elevational view of a utility vehicle showing
our new design;
FIG. 2 is a rear elevational view thereof;
FIG. 3 is a left side elevational view thereof;
FIG. 4 is a right side elevational view thereof;
FIG. 5 is a top plan view thereof;
FIG. 6 is a front and left side perspective view thereof;
FIG. 7 is a rear and left side perspective view thereof;
FIG. 8 is a front and right side perspective view thereof; and,
FIG. 9 is a rear and right side perspective view thereof.

1 Claim, 9 Drawing Sheets



(56)

References Cited

U.S. PATENT DOCUMENTS

D815,986 S * 4/2018 Zhang D12/91
D852,674 S * 7/2019 Wilcox D12/87
10,618,489 B2 * 4/2020 Hisamura B62D 27/065
D886,672 S * 6/2020 Whitfield D12/14
10,710,527 B2 * 7/2020 Ishibashi B60R 16/04
D896,125 S * 9/2020 Hashimoto D12/14
2016/0332495 A1 * 11/2016 Franker B60G 11/48
2017/0166255 A1 * 6/2017 Peterson B60R 21/13

OTHER PUBLICATIONS

“MudBusters Max Coverage Fender Extensions for Kawasaki Teryx4”
Kawasaki., posted date Dec. 18, 2019 [online], [retrieved on Nov.
27, 2020]. Retrieved from the Internet: <URL:https://www.amazon.
com/MudBusters-fender-extensions-Kawasaki-Teryx-4/dp/
B01H7PC3GE/> (Year: 2019).*

“Ranger Crew 570 Full-Size Full-Size Comfort for 6. Unbeatable
Value.” Ranger., posted date Jul 27, 2018 [online] , [retrieved on
Nov. 27, 2020]. Retrieved from the Internet: <URL:https://ranger.
polaris.com/en-us/ranger-crew-570-6-full-size/> (Year: 2018).*

* cited by examiner

Fig. 1

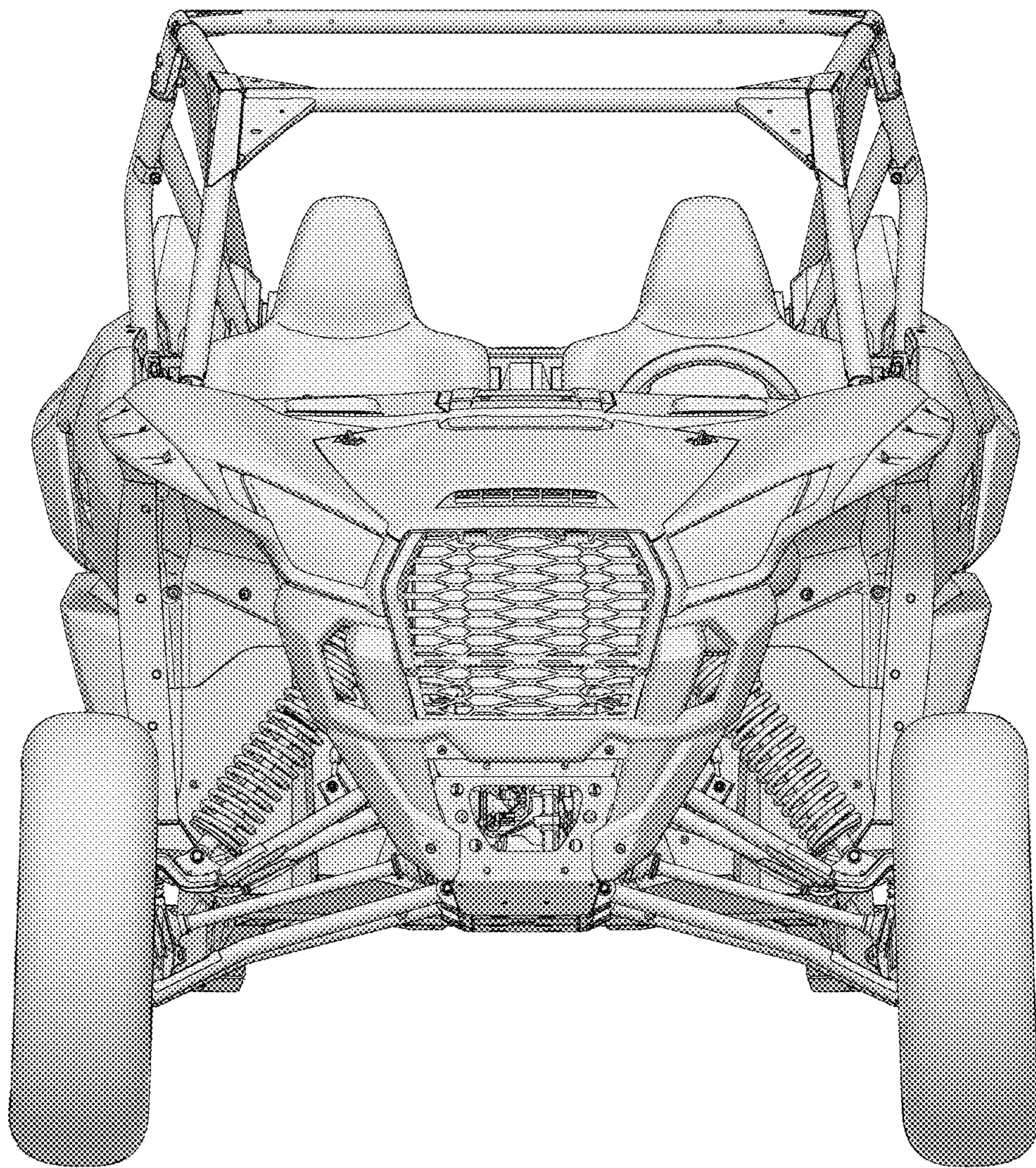
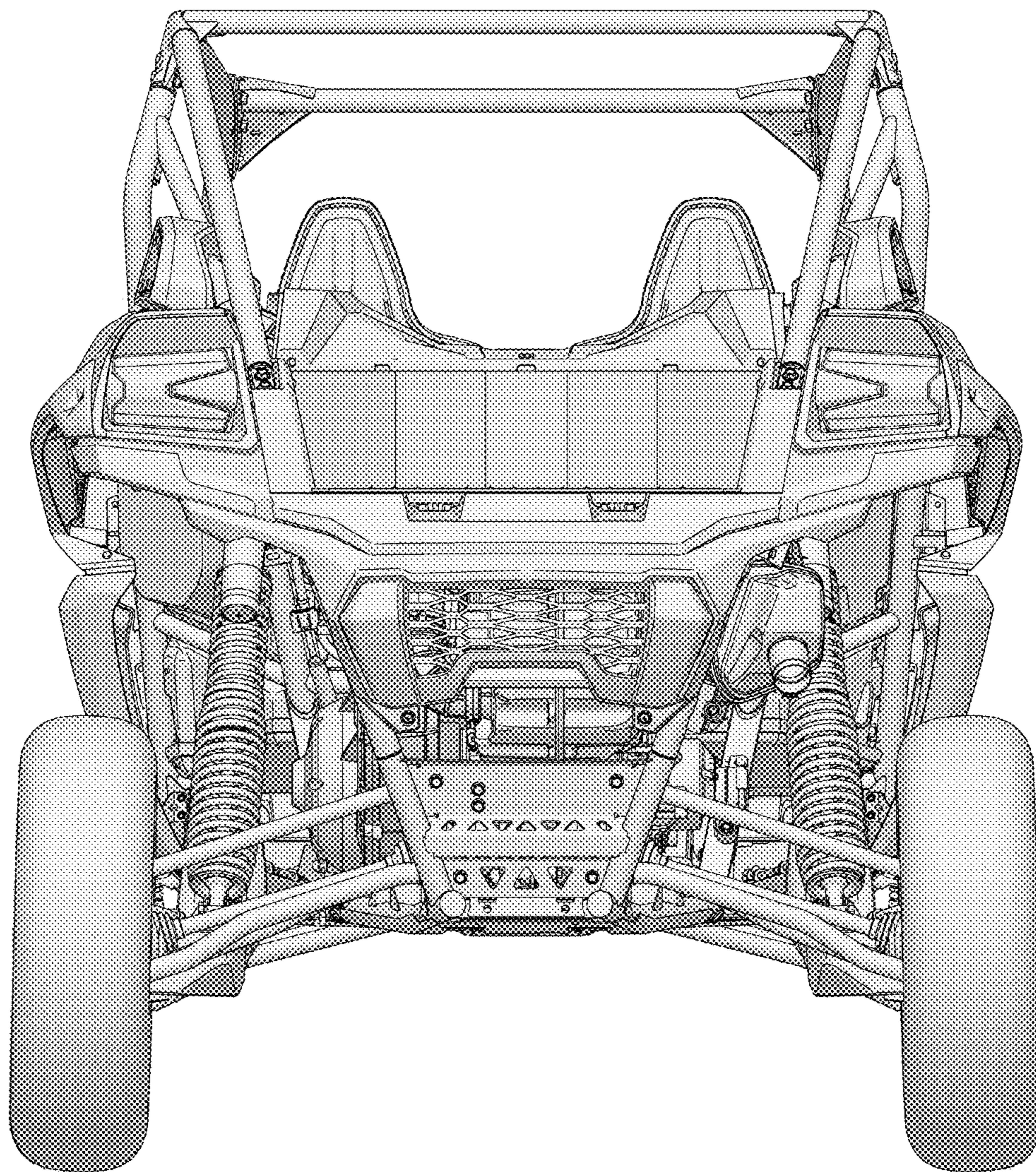


Fig. 2



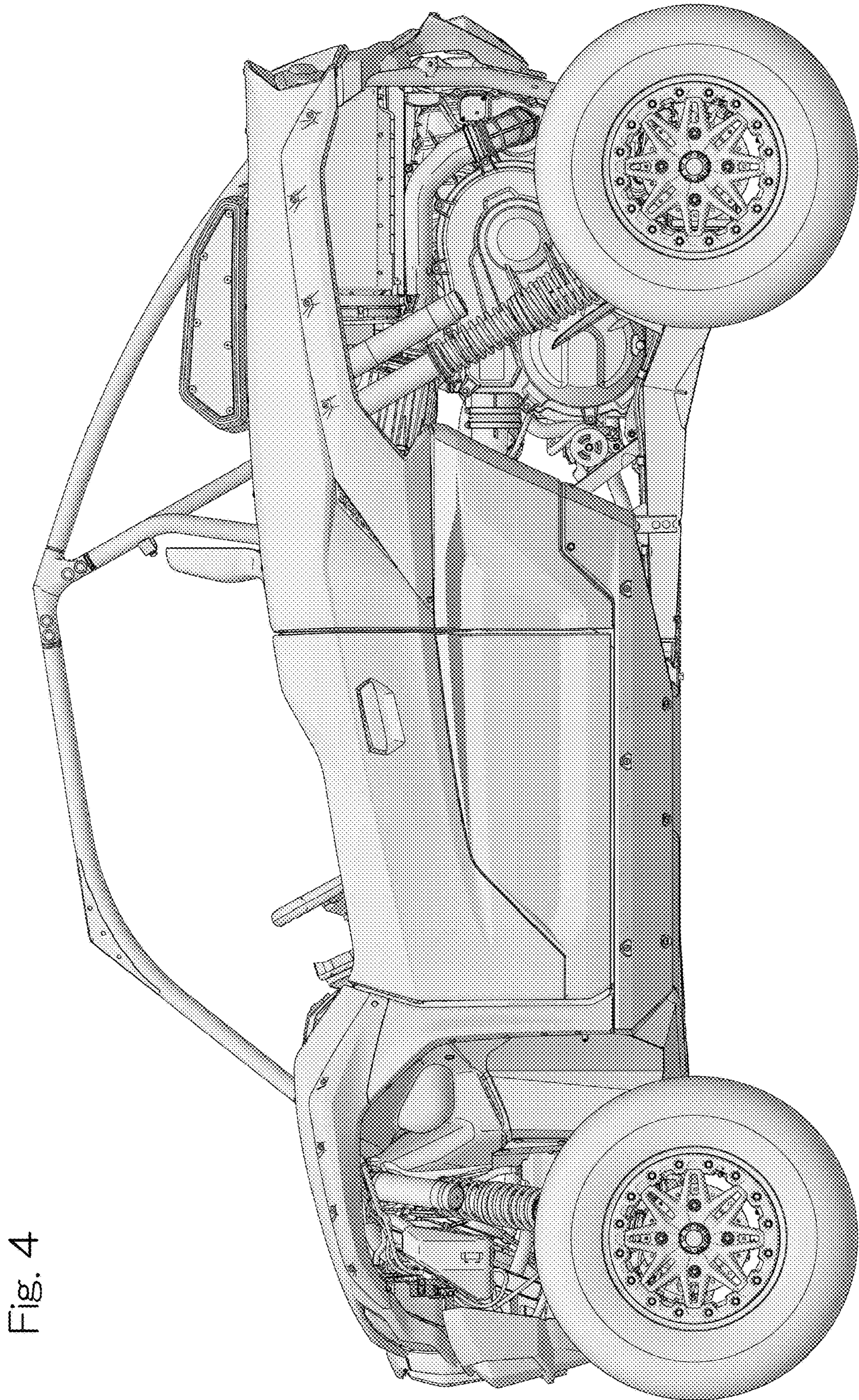
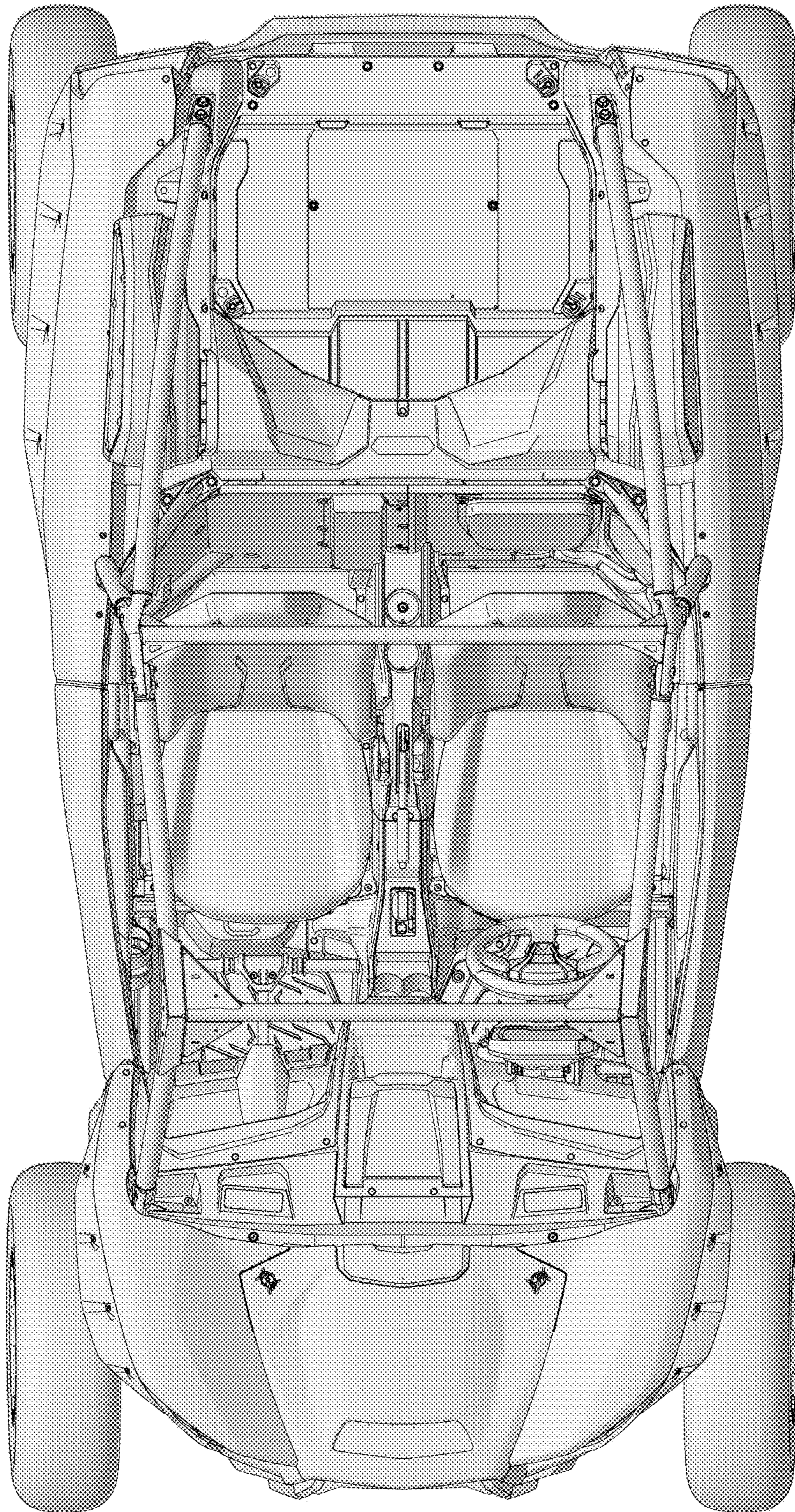


Fig. 4

Fig. 5



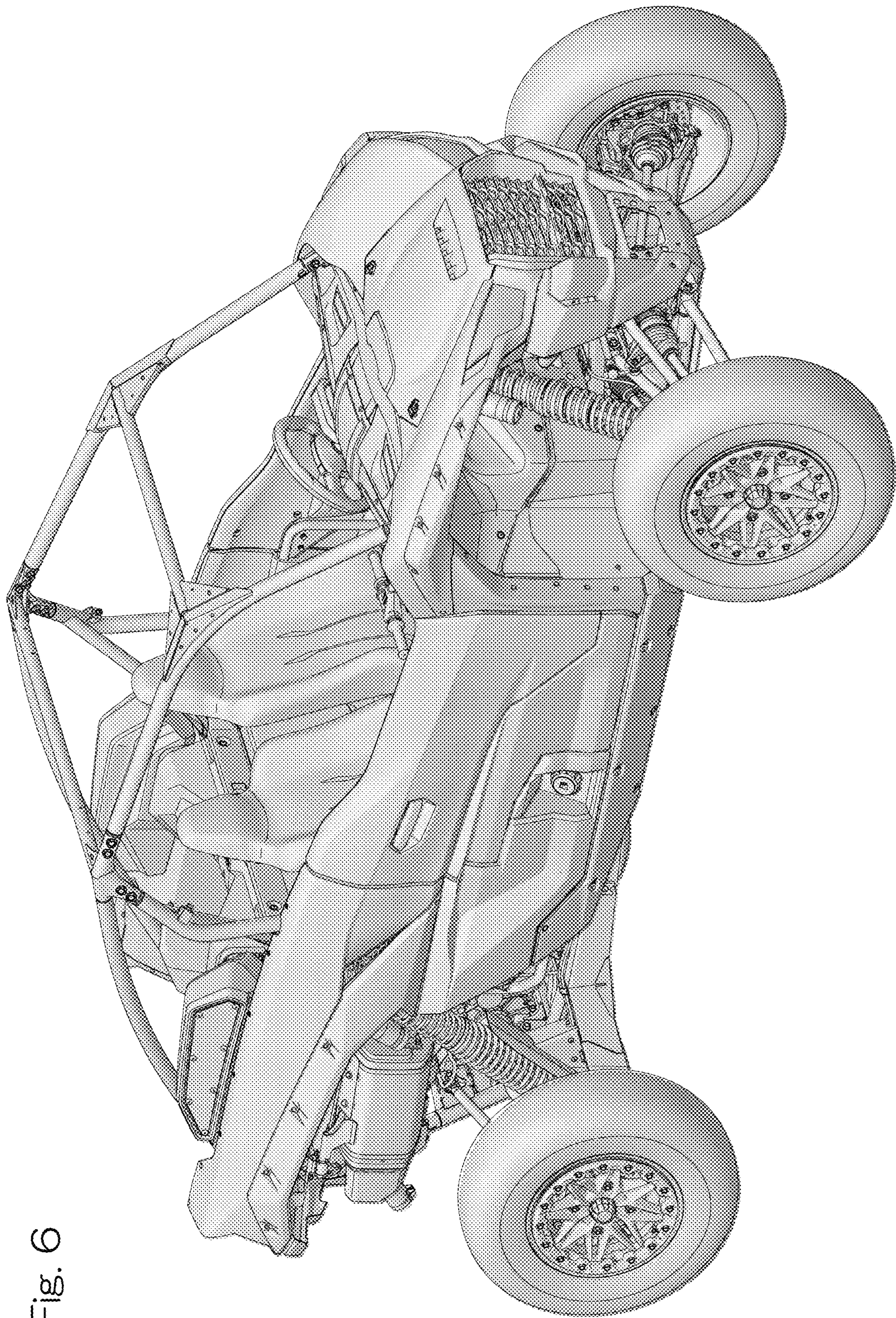


Fig. 6

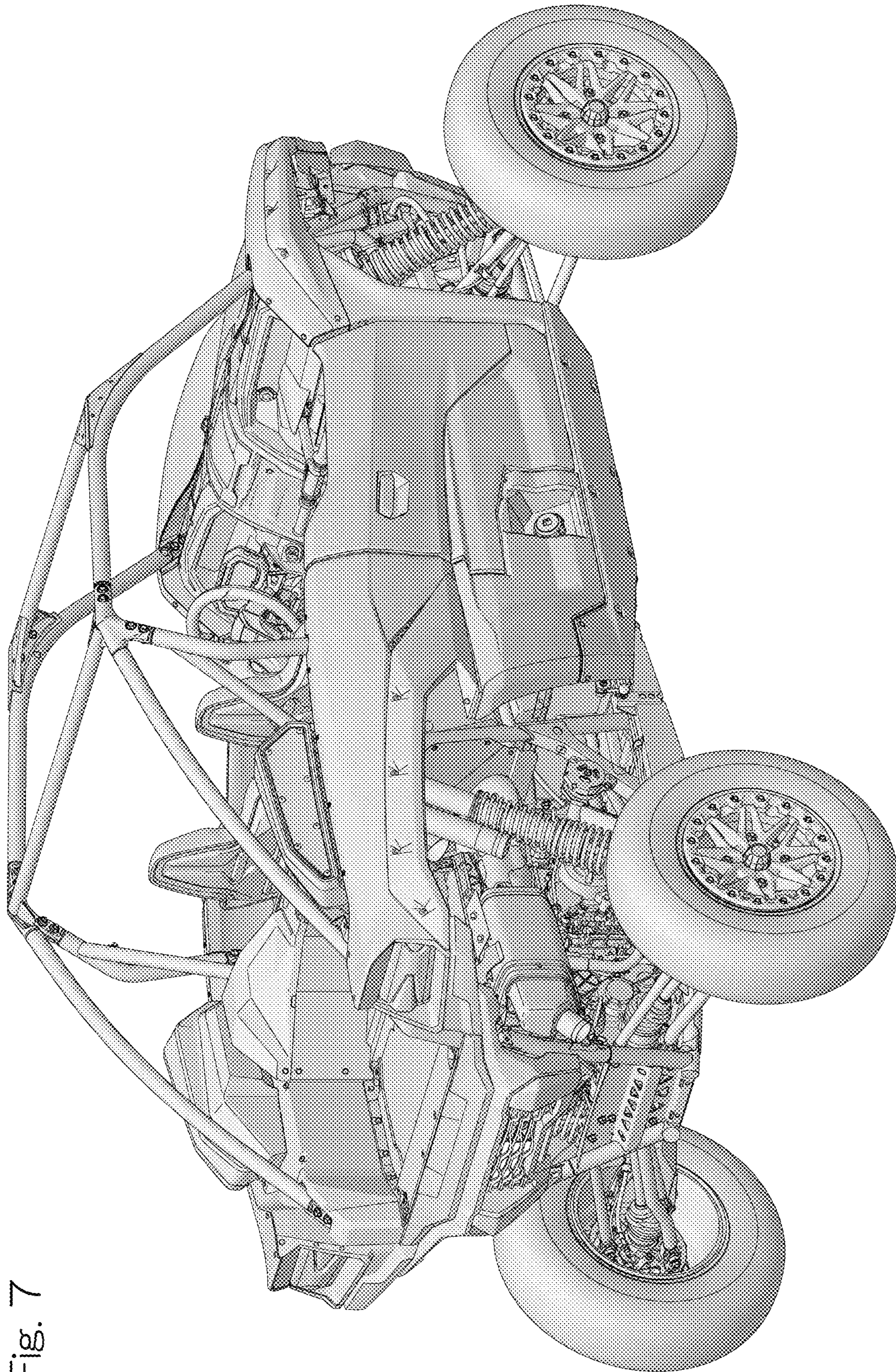


Fig. 7

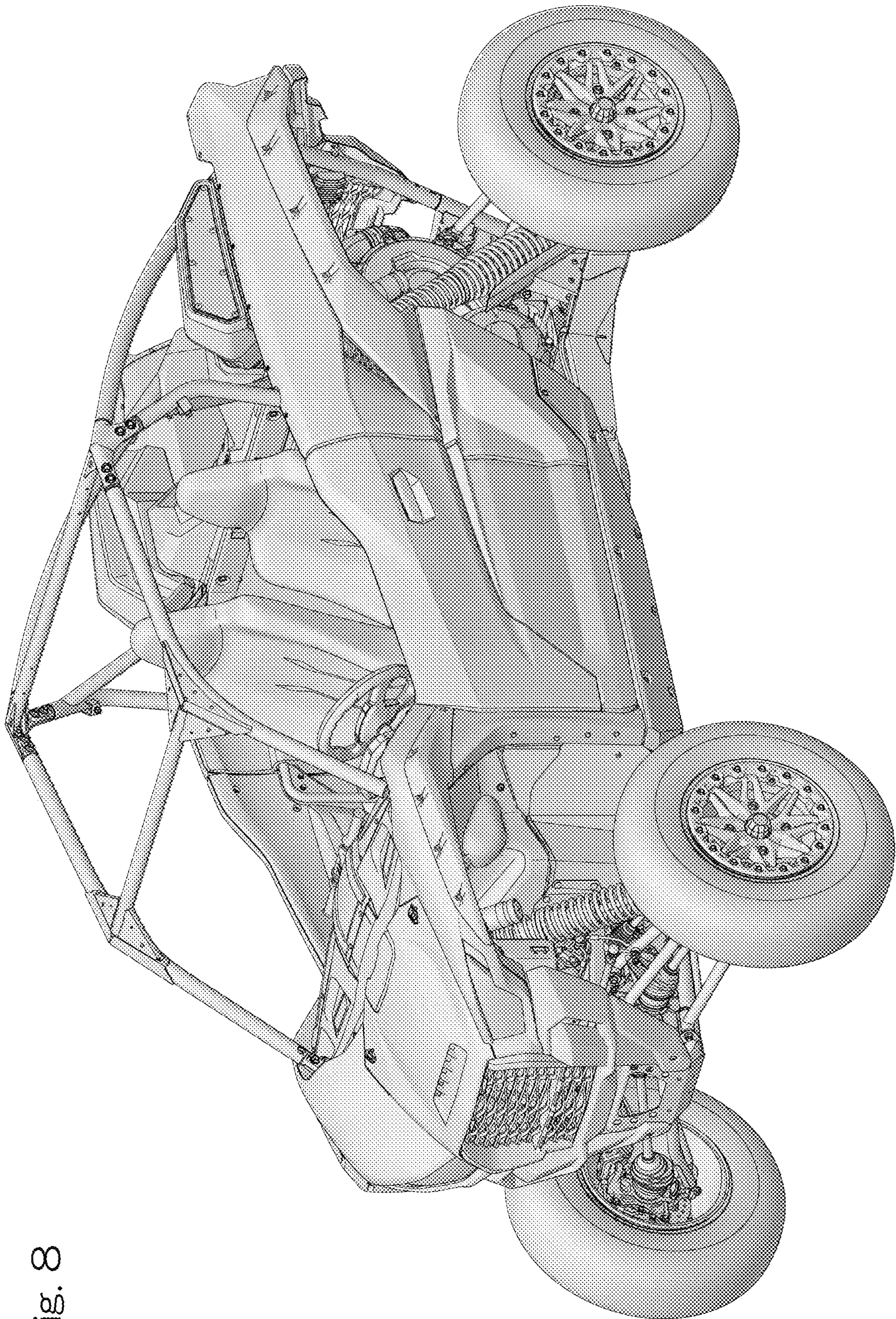


Fig. 8

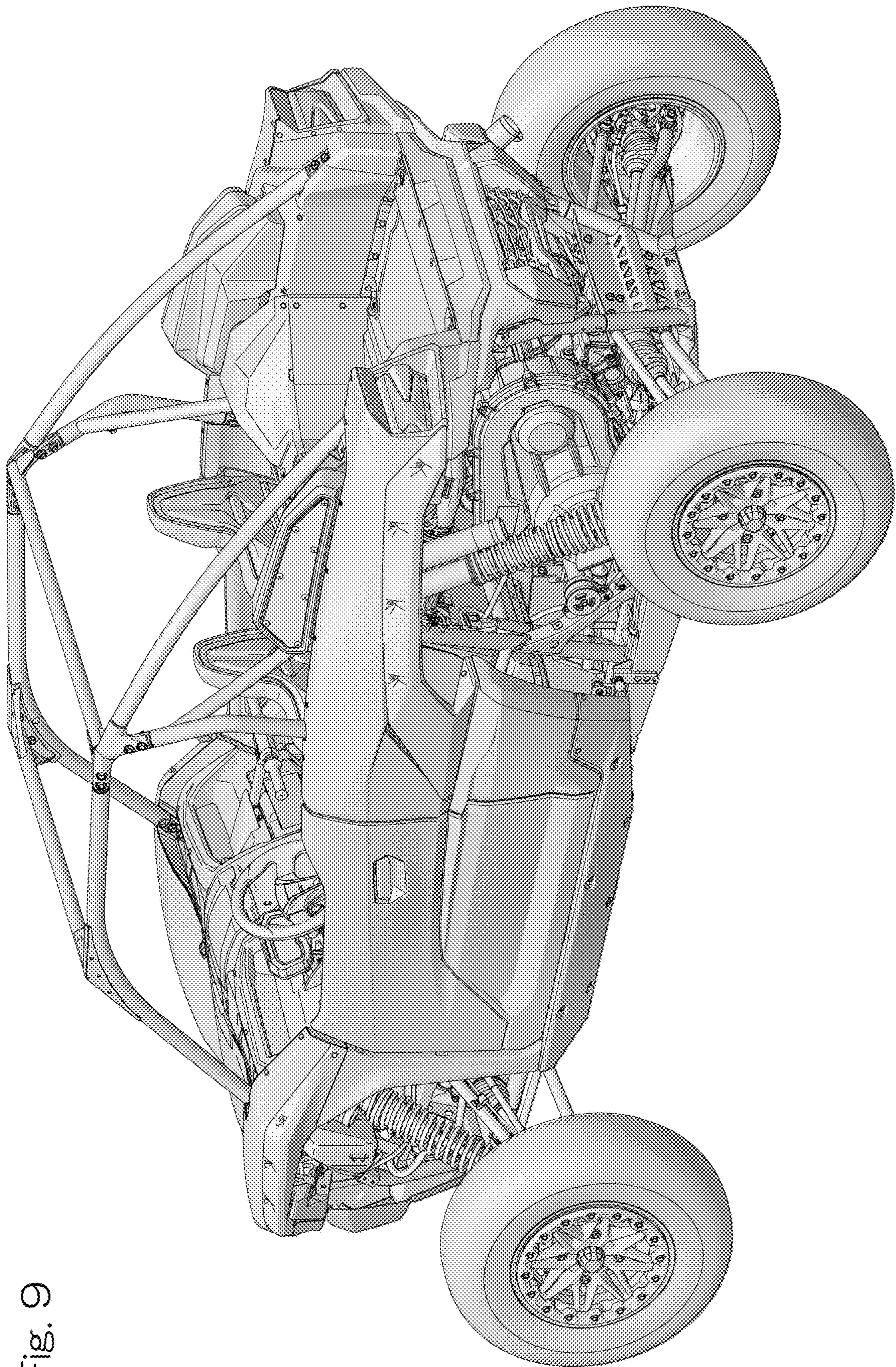


Fig. 9