



US00D913845S

(12) **United States Design Patent**
Cattabriga et al.

(10) **Patent No.:** **US D913,845 S**
(45) **Date of Patent:** **** Mar. 23, 2021**

(54) **CAR WITH SURFACE ORNAMENTATION**

(71) Applicant: **FERRARI S.p.A.**, Modena (IT)
(72) Inventors: **Adalberto Cattabriga**, Modena (IT);
Matteo Biancalana, Modena (IT);
Luca Zanetti, Modena (IT)

(73) Assignee: **FERRARI S.p.A.**, Modena (IT)

(**) Term: **15 Years**

(21) Appl. No.: **35/507,568**

(22) Filed: **Mar. 14, 2019**

(80) **Hague Agreement Data**

Int. Filing Date: **Mar. 14, 2019**
Int. Reg. No.: **DM/203516**
Int. Reg. Date: **Mar. 14, 2019**
Int. Reg. Pub. Date: **Oct. 25, 2019**

(30) **Foreign Application Priority Data**

Sep. 14, 2018 (EM) 005641032

(51) **LOC (13) Cl.** **12-08**

(52) **U.S. Cl.**
USPC **D12/86**

(58) **Field of Classification Search**
USPC D12/86, 88, 90-92, 184, 196; D21/424,
D21/433, 434, 533, 548
CPC B62D 25/00; B62D 25/02; B62D 25/06;
B62D 35/00; B62D 35/005; B60J 5/04
See application file for complete search history.

(56) **References Cited**

U.S. PATENT DOCUMENTS

D784,204 S * 4/2017 Abdallah B62D 25/12
D12/92
D800,020 S * 10/2017 Manzoni D12/91
D801,227 S * 10/2017 Stephenson D12/88
D801,871 S * 11/2017 Manzoni D12/92

D813,095 S * 3/2018 Manzoni D12/88
D817,814 S * 5/2018 Nurnberger D12/88
D823,724 S * 7/2018 Melville D12/92
D830,901 S * 10/2018 Manzoni D12/88
D830,902 S * 10/2018 Manzoni D12/88
D856,194 S * 8/2019 Saleen D12/92
D863,104 S * 10/2019 Bennion D12/88
D870,823 S * 12/2019 Manzoni D21/548
2019/0233022 A1 * 8/2019 Biancalana B62D 25/12

* cited by examiner

Primary Examiner — George D. Kirschbaum

Assistant Examiner — Calvin E Vansant

(74) *Attorney, Agent, or Firm* — Cowan, Liebowitz &
Latman, P.C.; Anastasia Zhadina

(57) **CLAIM**

The ornamental design for a car with surface ornamentation,
as shown and described.

DESCRIPTION

The patent or application file contains at least one drawing
executed in color. Copies of this patent or patent application
publication with color drawing(s) will be provided by the
Office upon request and payment of the necessary fee.

1.-12. Car With Surface Ornamentation

1.1 : Front perspective view

1.2 : Rear perspective view

1.3 : Front

1.4 : Back

1.5 : Lateral view

1.6 : Top plan view

1.7 : Bottom

2.1 : Front perspective view

2.2 : Rear perspective view

2.3 : Front

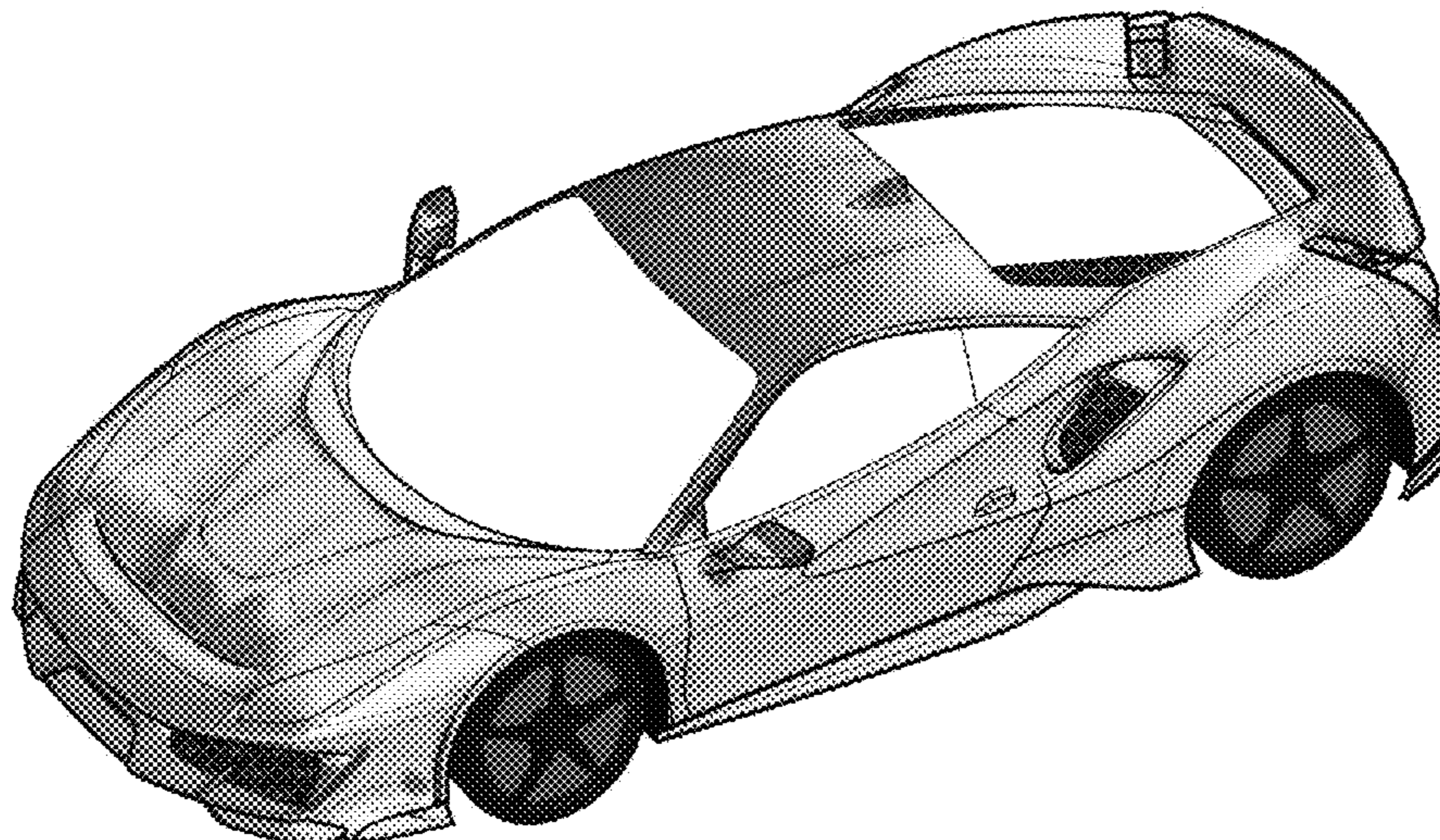
2.4 : Back

2.5 : Lateral view

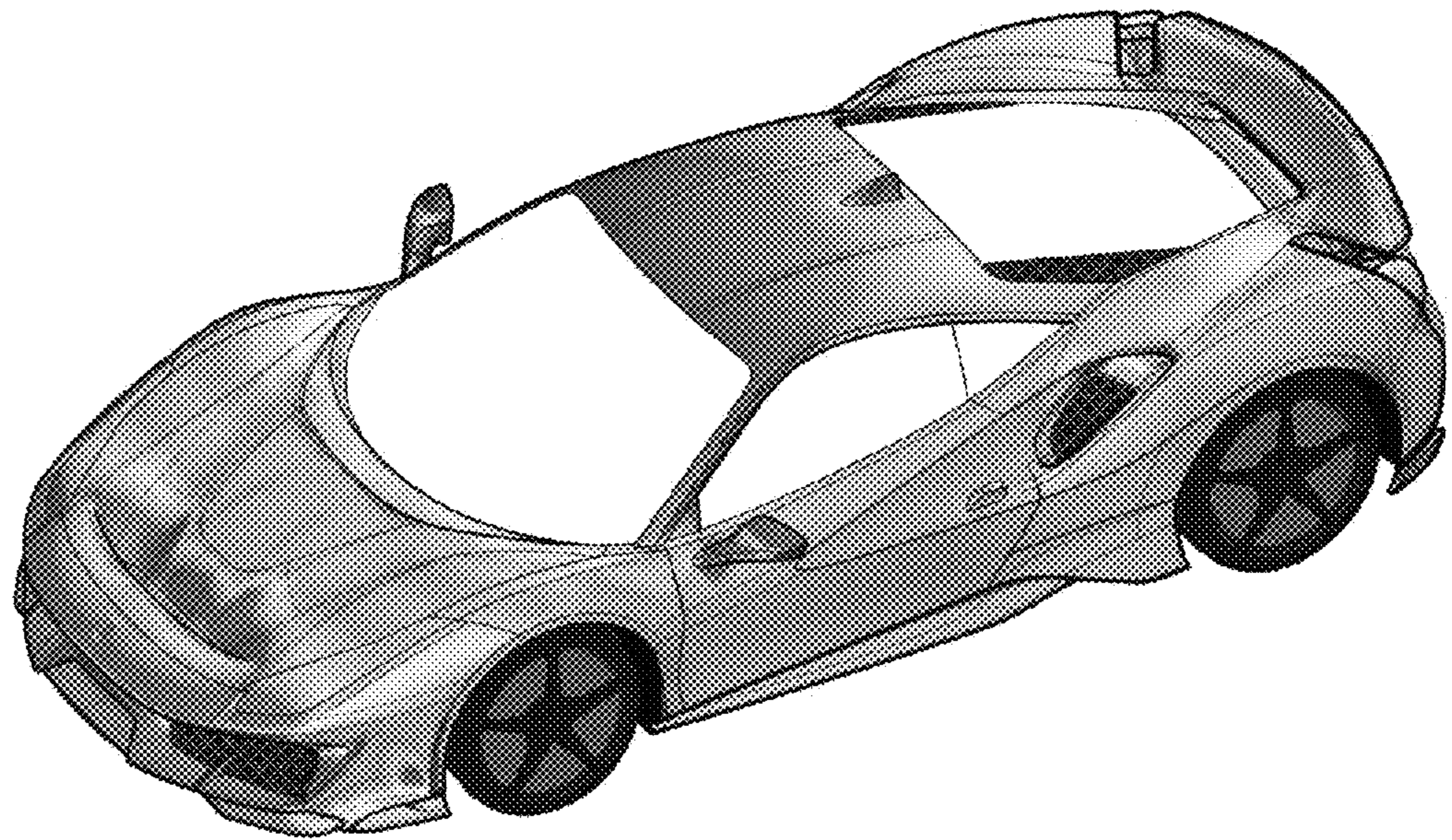
2.6 : Top plan view

2.7 : Bottom

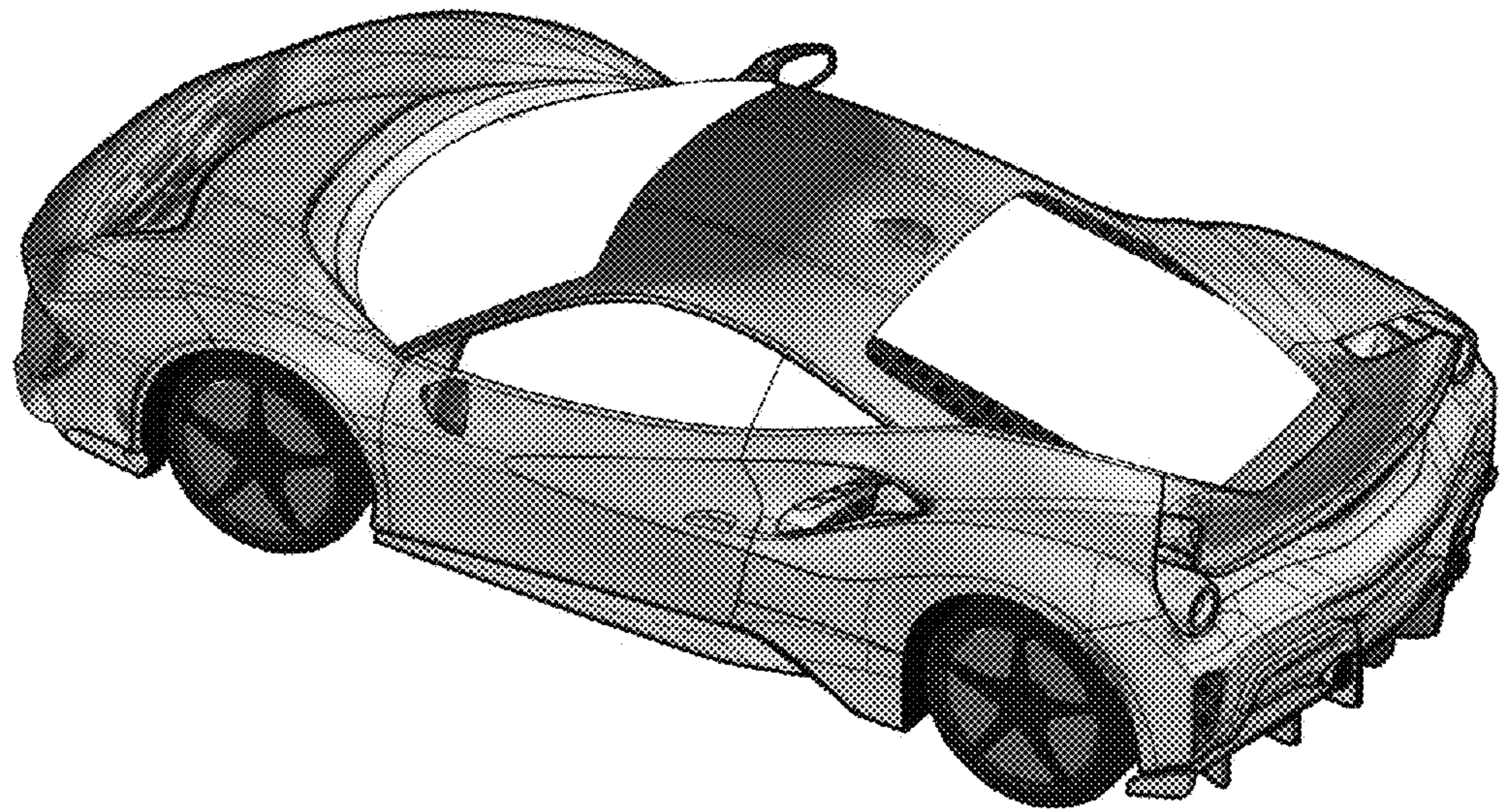
1 Claim, 14 Drawing Sheets
(7 of 14 Drawing Sheet(s) Filed in Color)



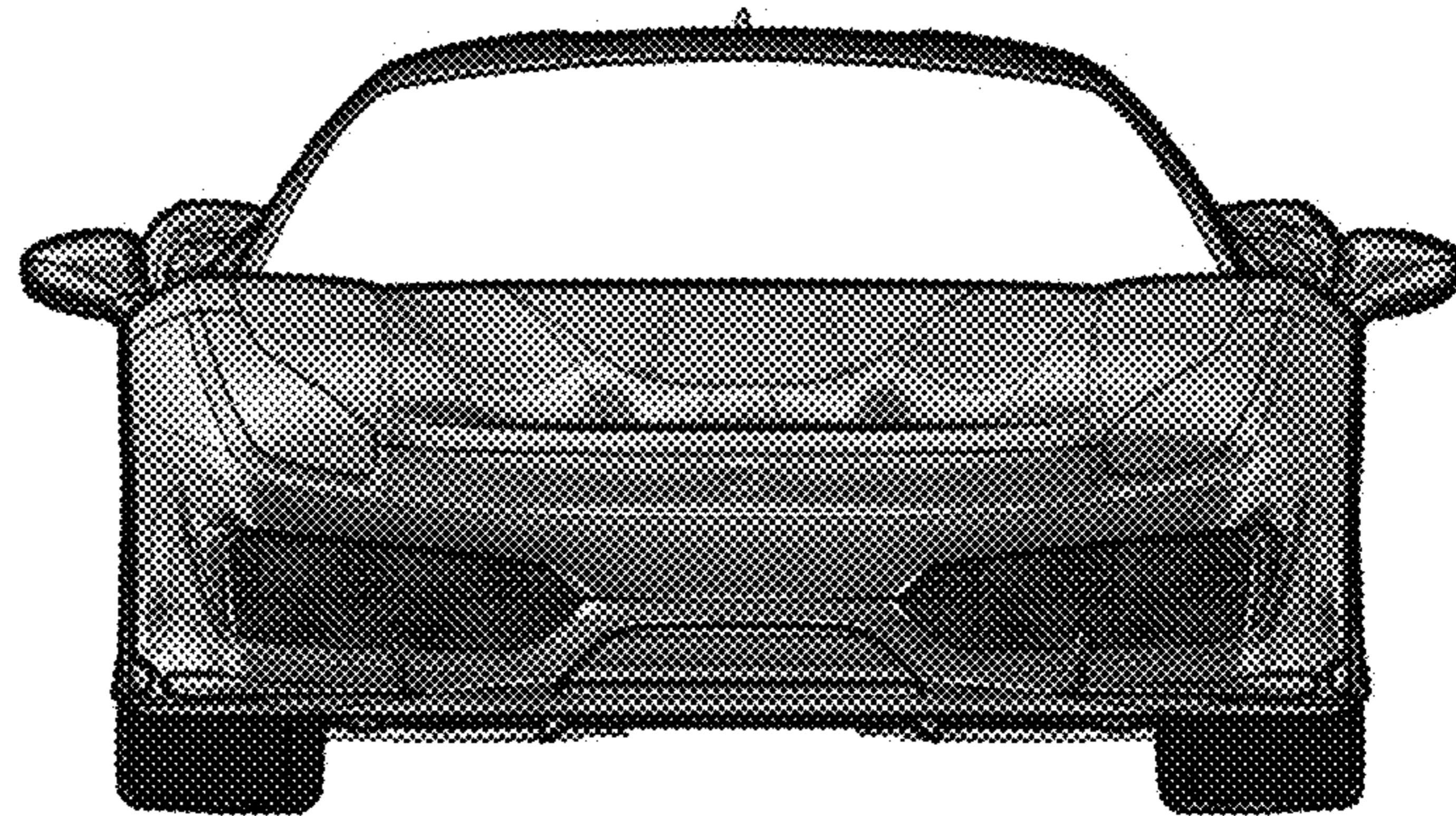
1.1



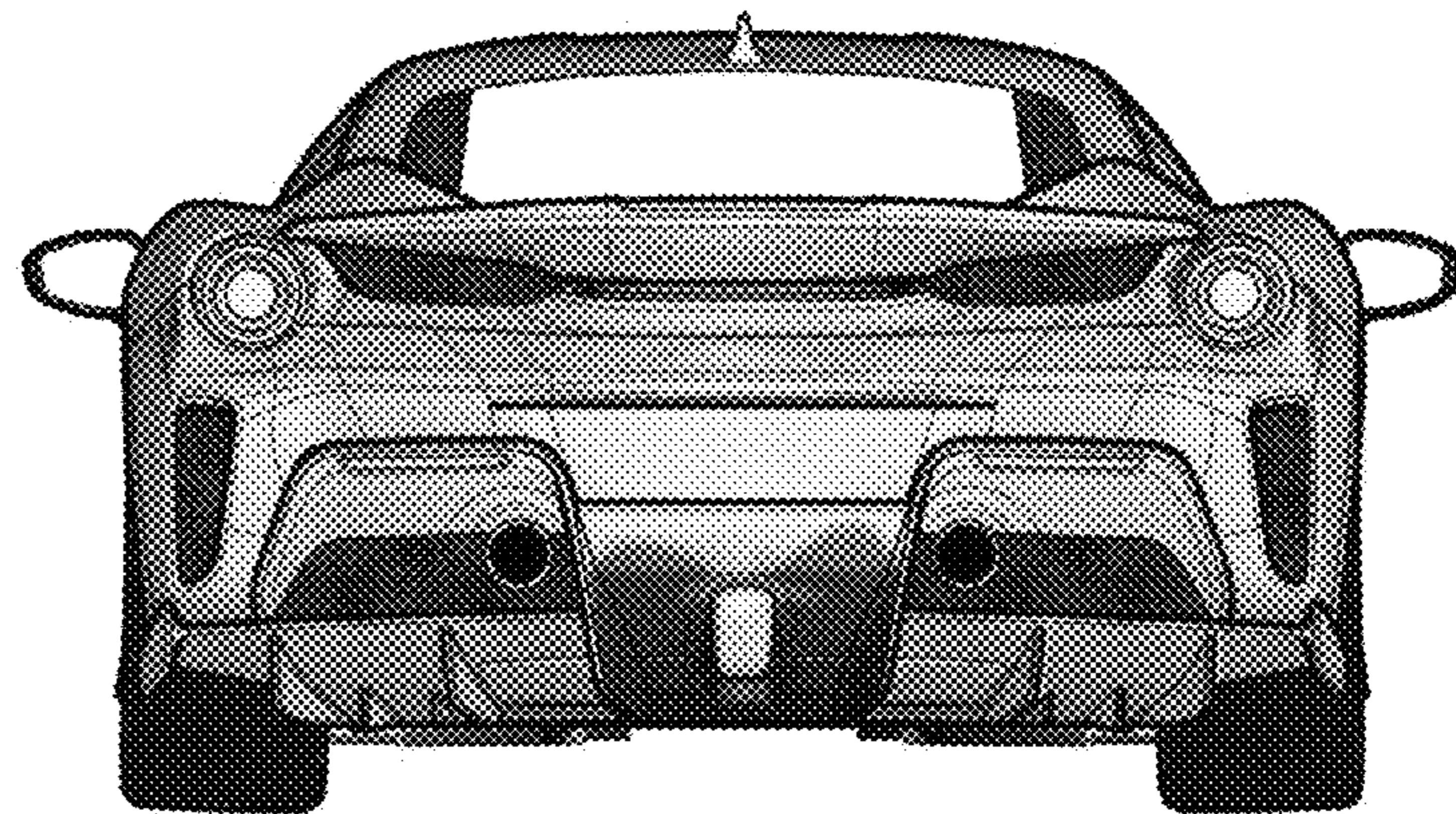
1.2



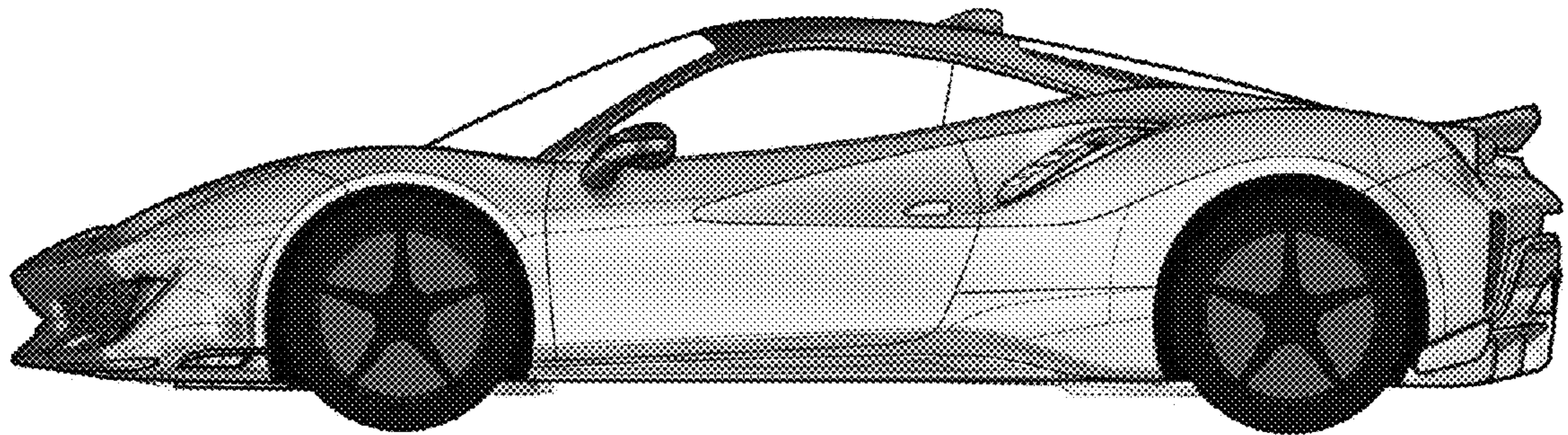
1.3



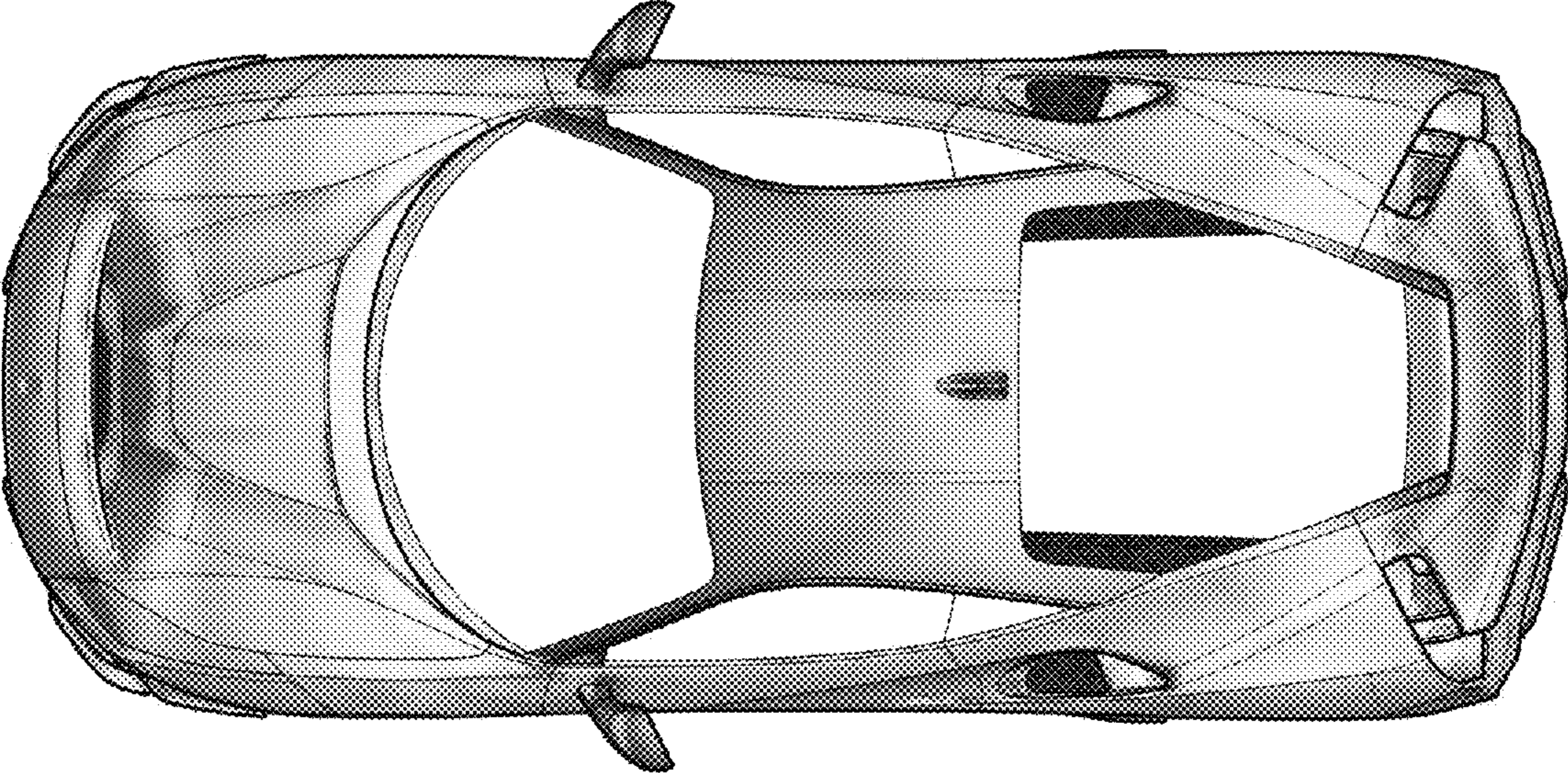
1.4



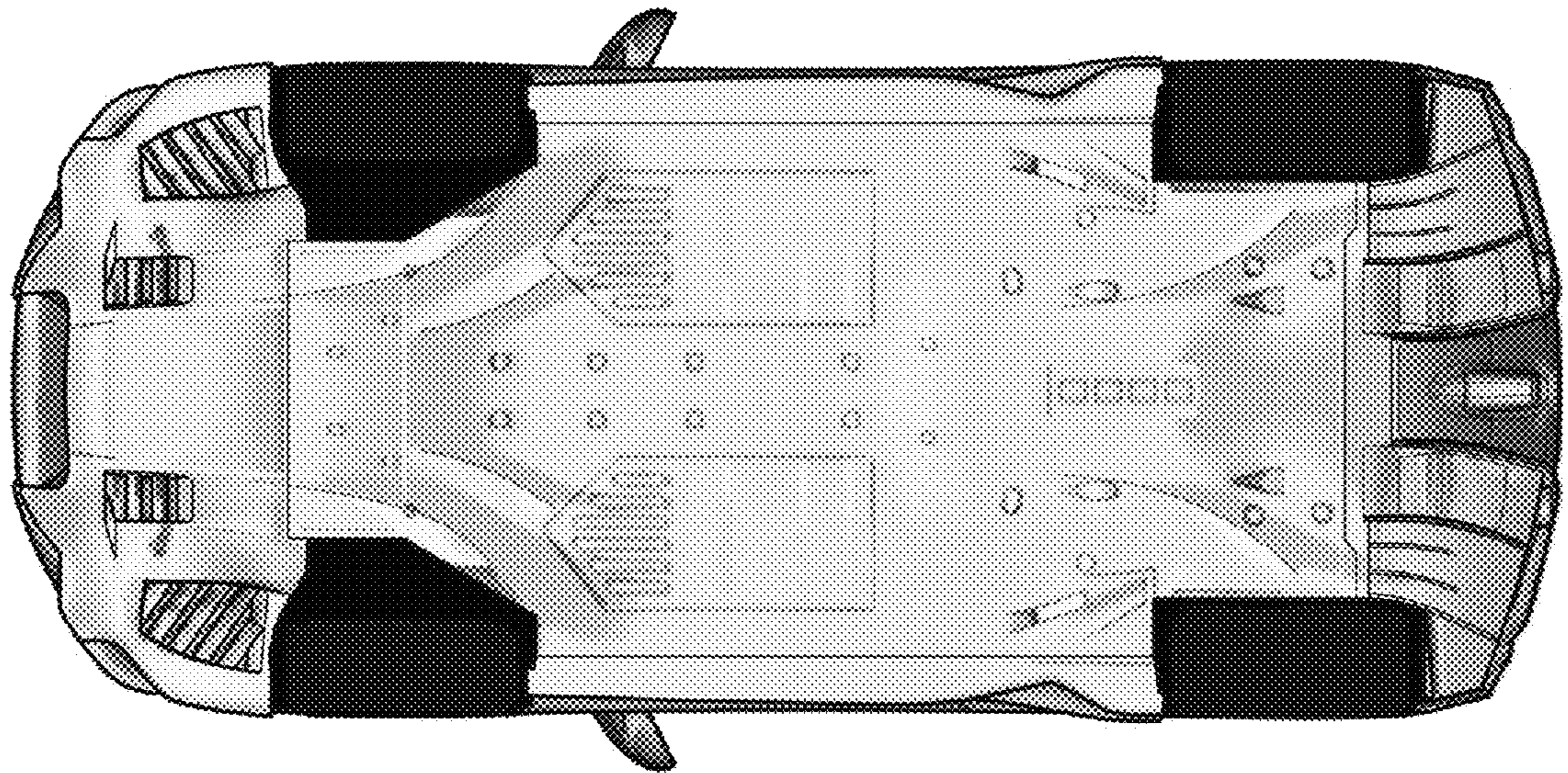
1.5



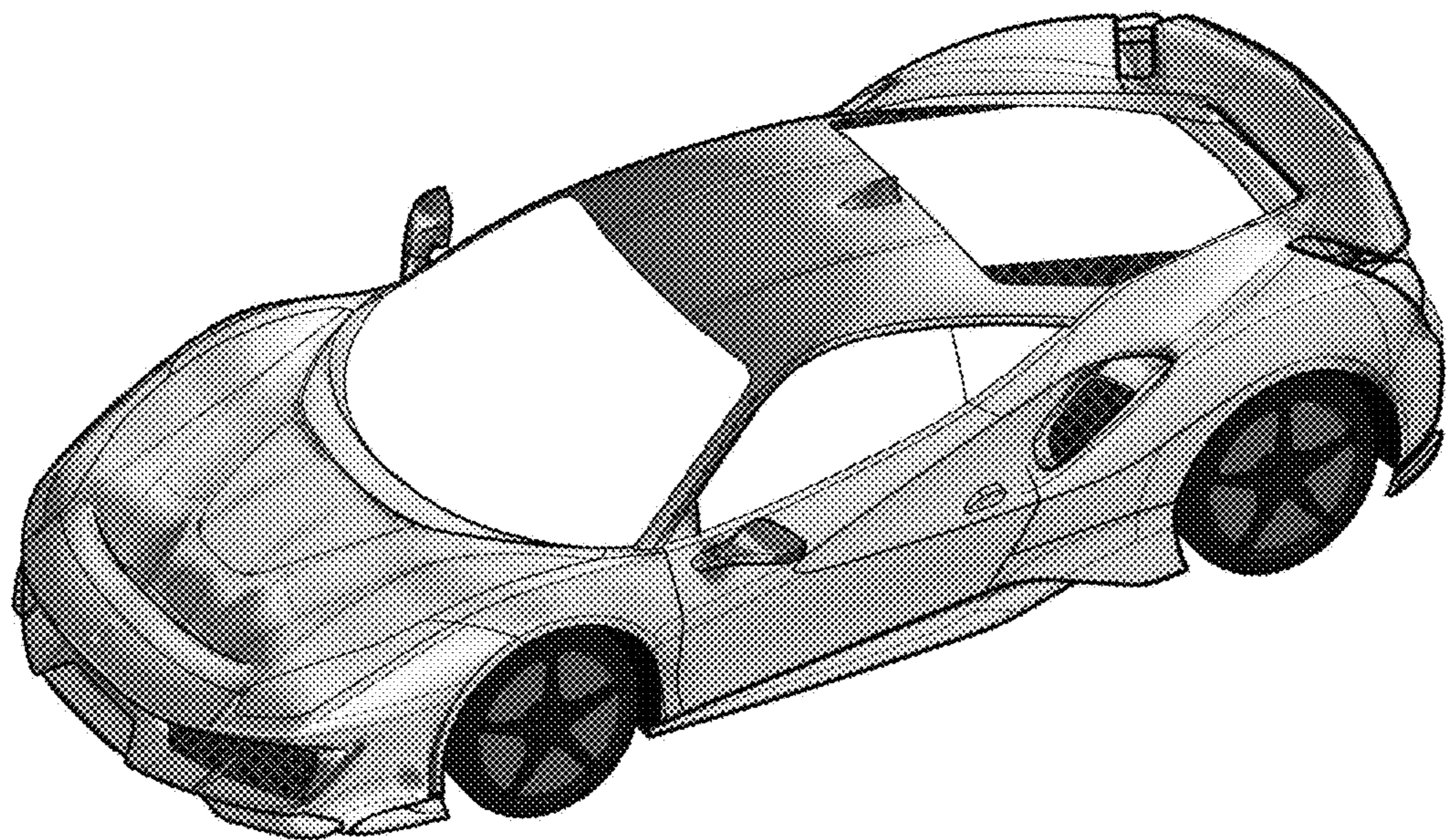
1.6



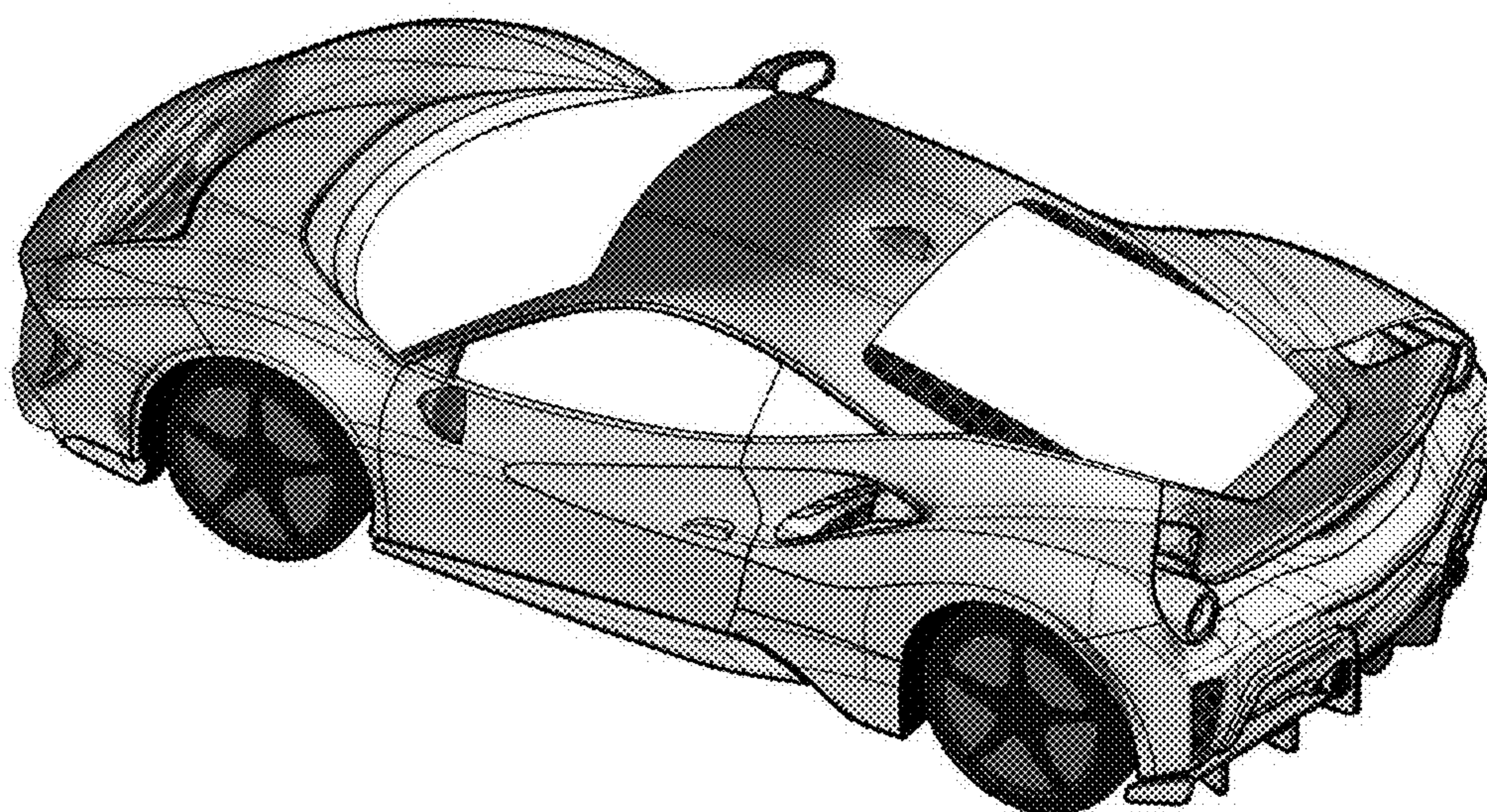
1.7



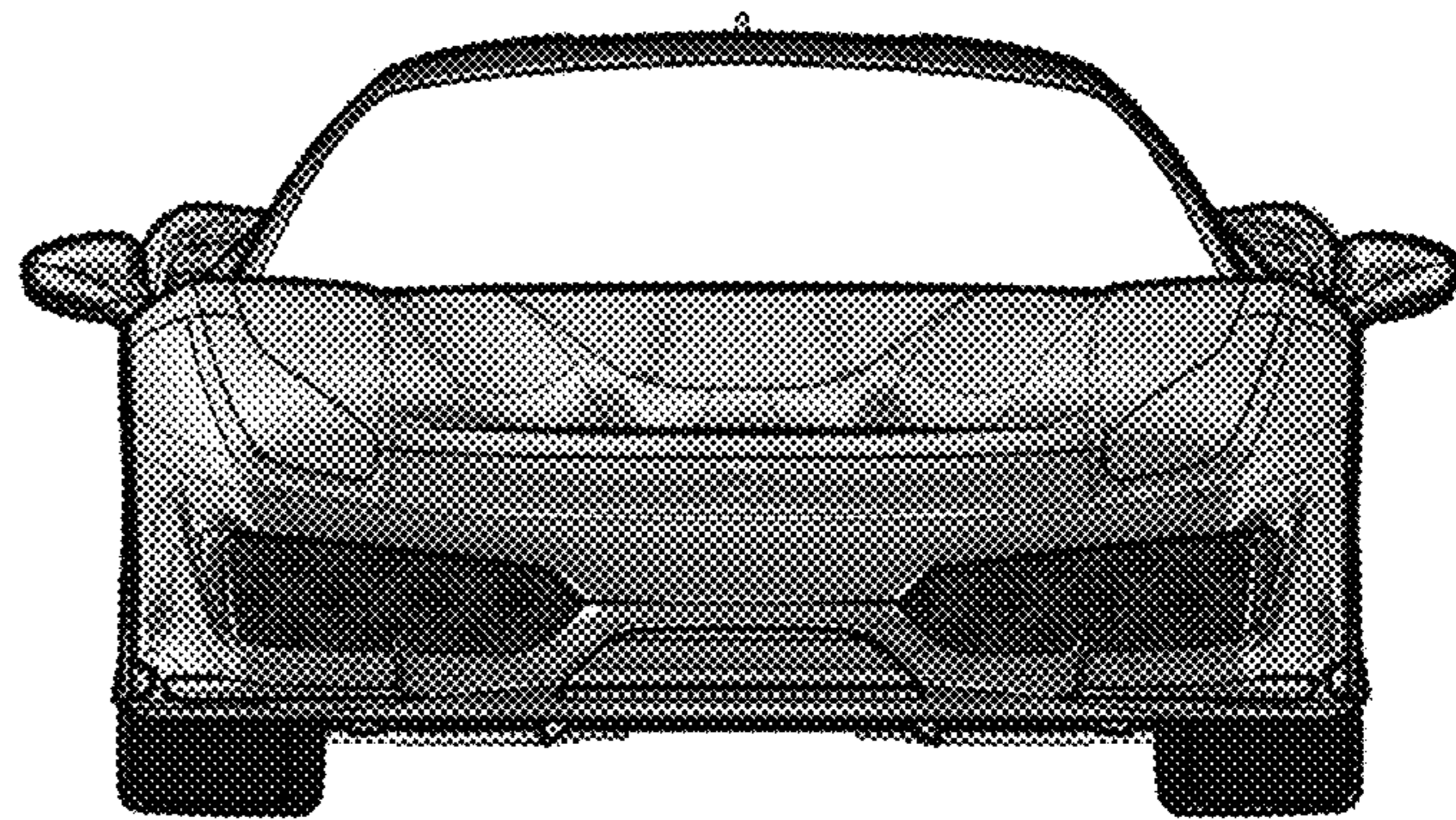
2.1



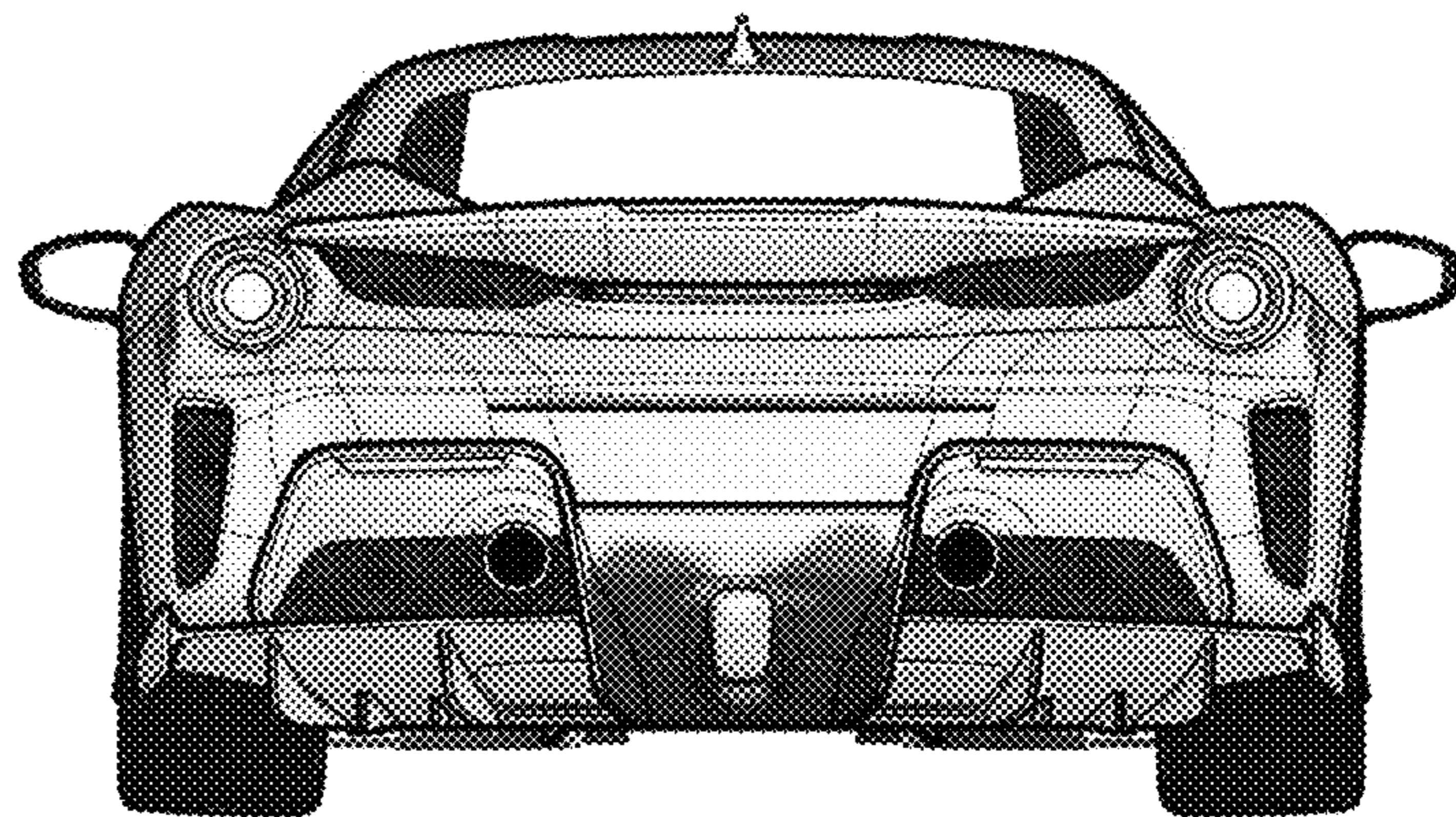
2.2



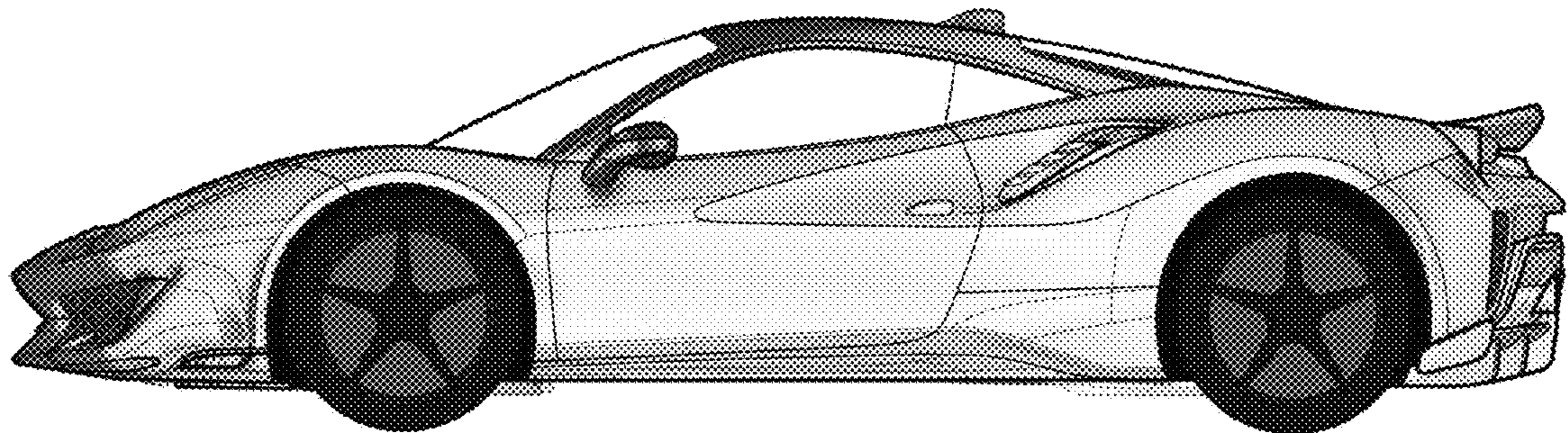
2.3



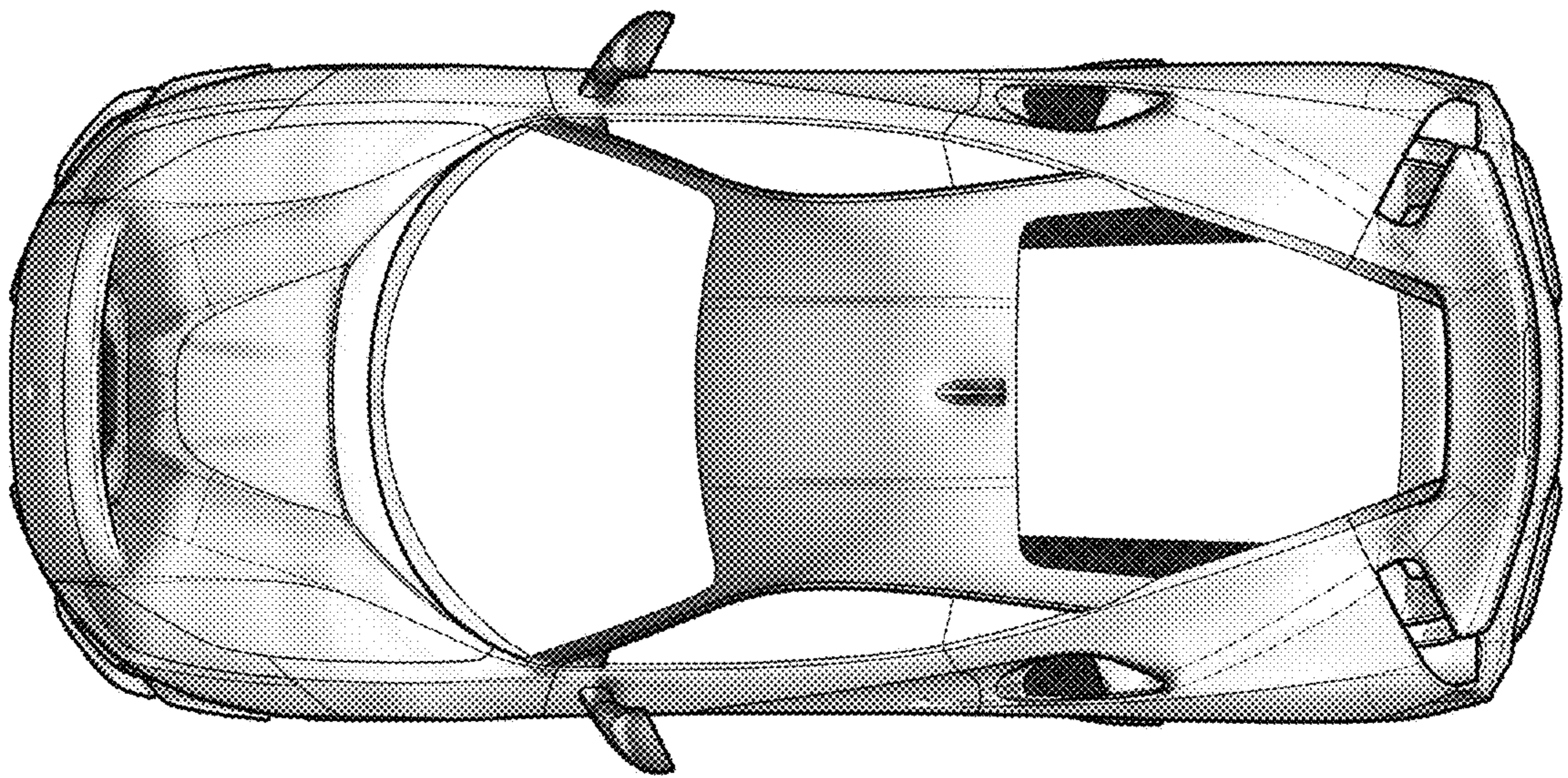
2.4



2.5



2.6



2.7

