



US00D913844S

(12) **United States Design Patent** (10) **Patent No.:** **US D913,844 S**
Hung et al. (45) **Date of Patent:** **** Mar. 23, 2021**

(54) **PAIR OF STOPPERS FOR ZIPPERS**

FOREIGN PATENT DOCUMENTS

(71) Applicant: **IDEAL FASTENER (GUANGDONG) INDUSTRIES LTD.**, Guangdong (CN)

CN 305206286 * 6/2019

Primary Examiner — Michelle E. Wilson

Assistant Examiner — Tracey J Bell

(72) Inventors: **Franklin Chi Yen Hung**, Guangdong (CN); **Zongjian Lyu**, Guangdong (CN); **Wei Qiu**, Guangdong (CN)

(57) **CLAIM**

(73) Assignee: **IDEAL FASTENER (GUANGDONG) INDUSTRIES LTD.**, Zhaoqing (CN)

The ornamental design for a pair of stoppers for zippers, as shown and described.

(**) Term: **15 Years**

(21) Appl. No.: **29/677,824**

DESCRIPTION

(22) Filed: **Jan. 23, 2019**

(30) **Foreign Application Priority Data**

Nov. 9, 2018 (CN) 201830635433.3

(51) **LOC (13) Cl.** **02-07**

(52) **U.S. Cl.**
USPC **D11/221**

(58) **Field of Classification Search**

USPC D11/200, 201, 221; D2/607, 732

CPC A44B 19/00; A44B 19/10; A44B 19/26;

A44B 19/262; A44B 19/32; A44B 19/24;

A44B 19/308; A44B 19/36; A44B 19/42;

A44B 19/34; A44B 19/04; A44B 19/60;

A44B 19/06; A44B 19/403; A44B 19/02;

A44B 19/08; A44B 19/12; A44B 19/38

See application file for complete search history.

(56) **References Cited**

U.S. PATENT DOCUMENTS

6,009,602 A * 1/2000 Terada A44B 19/306

24/433

D779,373 S * 2/2017 Mayo D11/221

9,770,075 B2 * 9/2017 Sato A44B 19/38

D829,602 S * 10/2018 Hung D11/221

D833,910 S * 11/2018 Hung D11/221

D866,302 S * 11/2019 Eldridge D8/356

(Continued)

FIG. 1 is a top, front and left side perspective view of one part of a pair of stoppers for zippers showing our new design;

FIG. 2 is a bottom, rear and right side perspective view of FIG. 1;

FIG. 3 is a front elevational view of FIG. 1;

FIG. 4 is a rear elevational view of FIG. 1;

FIG. 5 is a left side view of FIG. 1;

FIG. 6 is a right side view of FIG. 1;

FIG. 7 is a top plan view of FIG. 1;

FIG. 8 is a bottom plan view of FIG. 1;

FIG. 9 is a top, front and left side perspective view of the other part of the pair of stoppers for zippers;

FIG. 10 is a bottom, rear and right side perspective view of FIG. 9;

FIG. 11 is a front elevational view of FIG. 9;

FIG. 12 is a rear elevational view of FIG. 9;

FIG. 13 is a left side view of FIG. 9;

FIG. 14 is a right side view of FIG. 9;

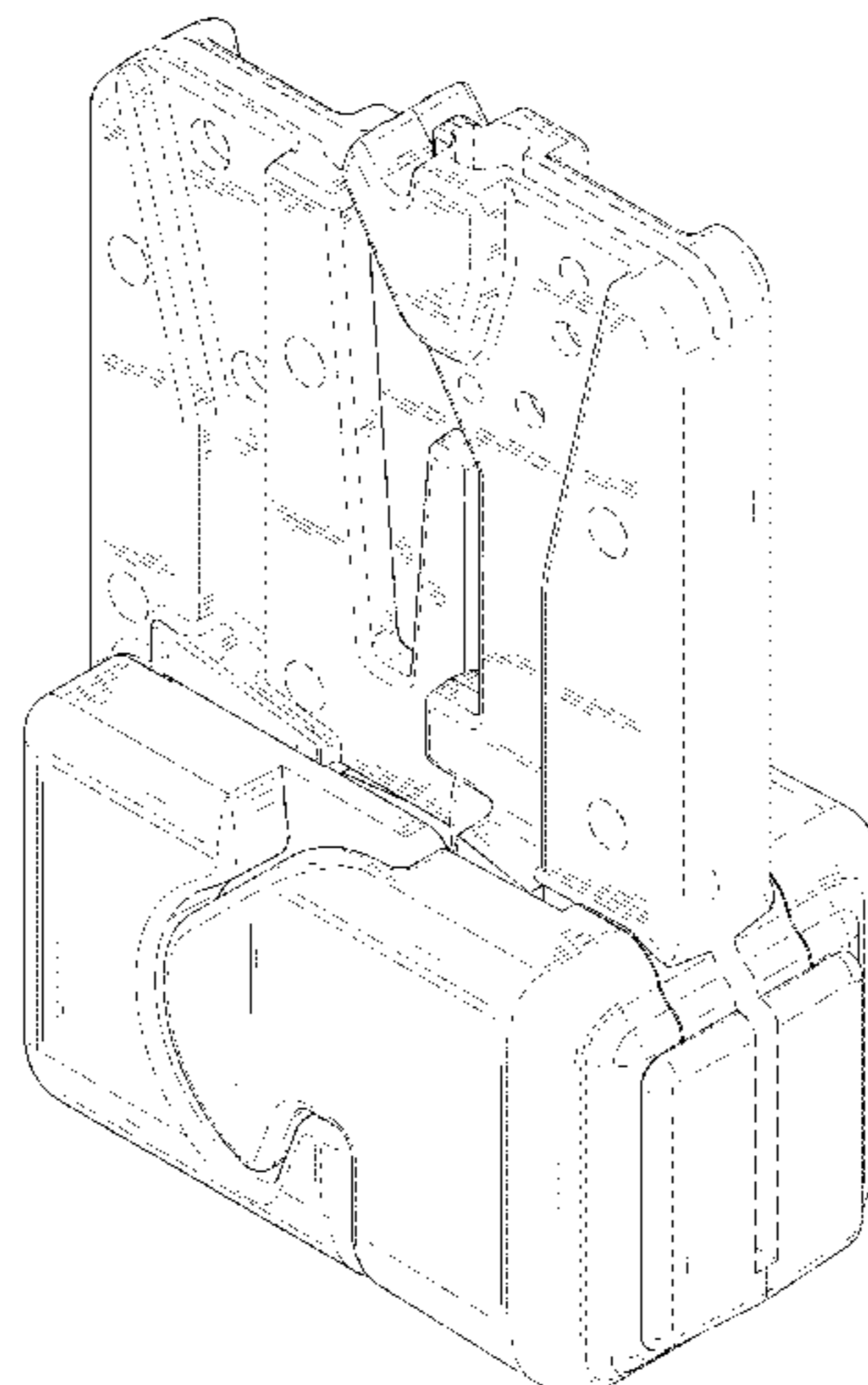
FIG. 15 is a top plan view of FIG. 9;

FIG. 16 is a bottom plan view of FIG. 9; and,

FIG. 17 is a perspective view showing the pair of stoppers for zippers in a use state.

The broken lines in the drawings illustrate portions of the pair of stoppers for zippers which form no part of the claimed design.

1 Claim, 17 Drawing Sheets



(56)

References Cited

U.S. PATENT DOCUMENTS

2004/0205942 A1* 10/2004 Tsaur A44B 19/388
24/433
2017/0290395 A1* 10/2017 Ogura A44B 19/02
2018/0092442 A1* 4/2018 Ogura A44B 19/38
2020/0069006 A1* 3/2020 Ogura A44B 19/24

* cited by examiner

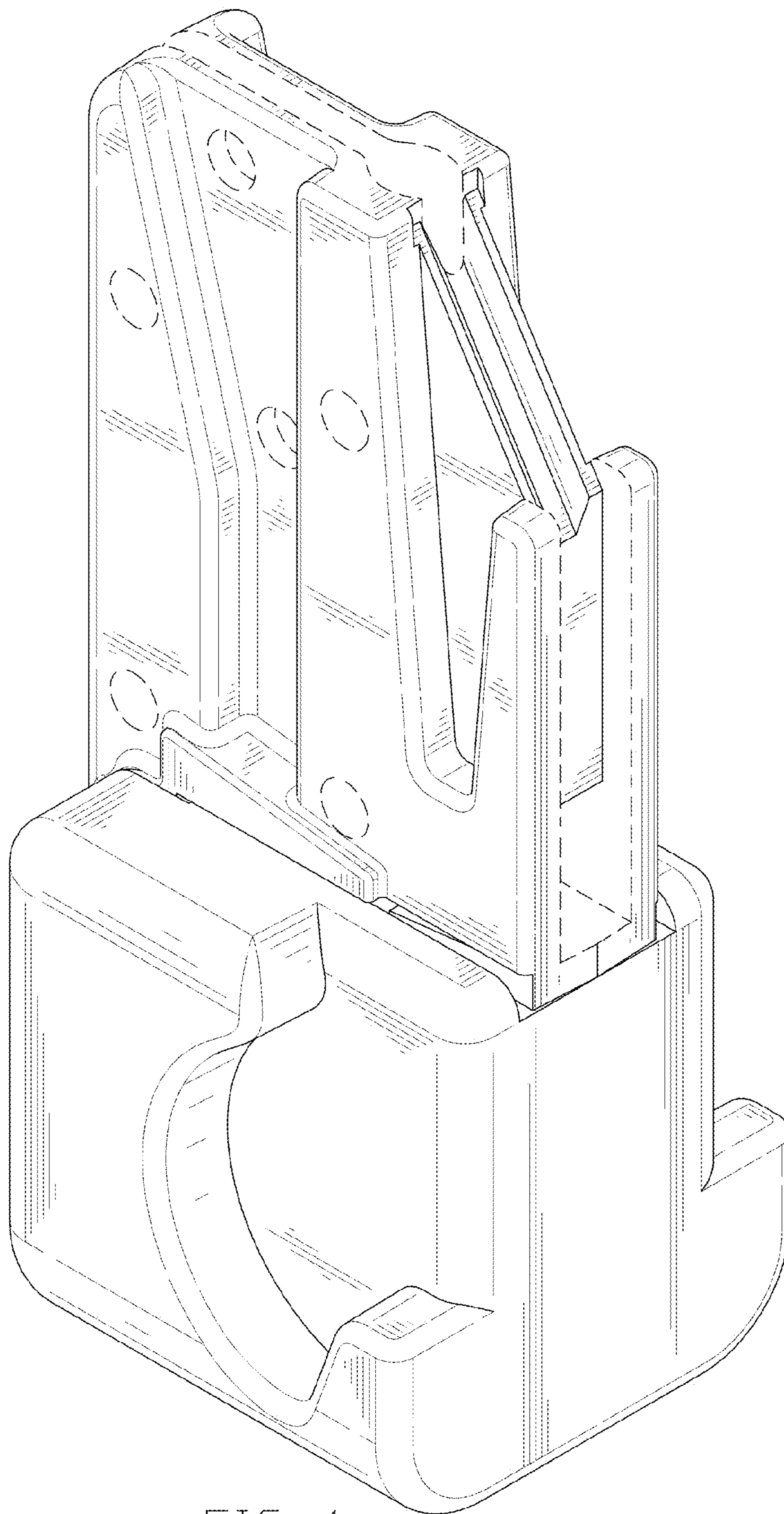


FIG. 1

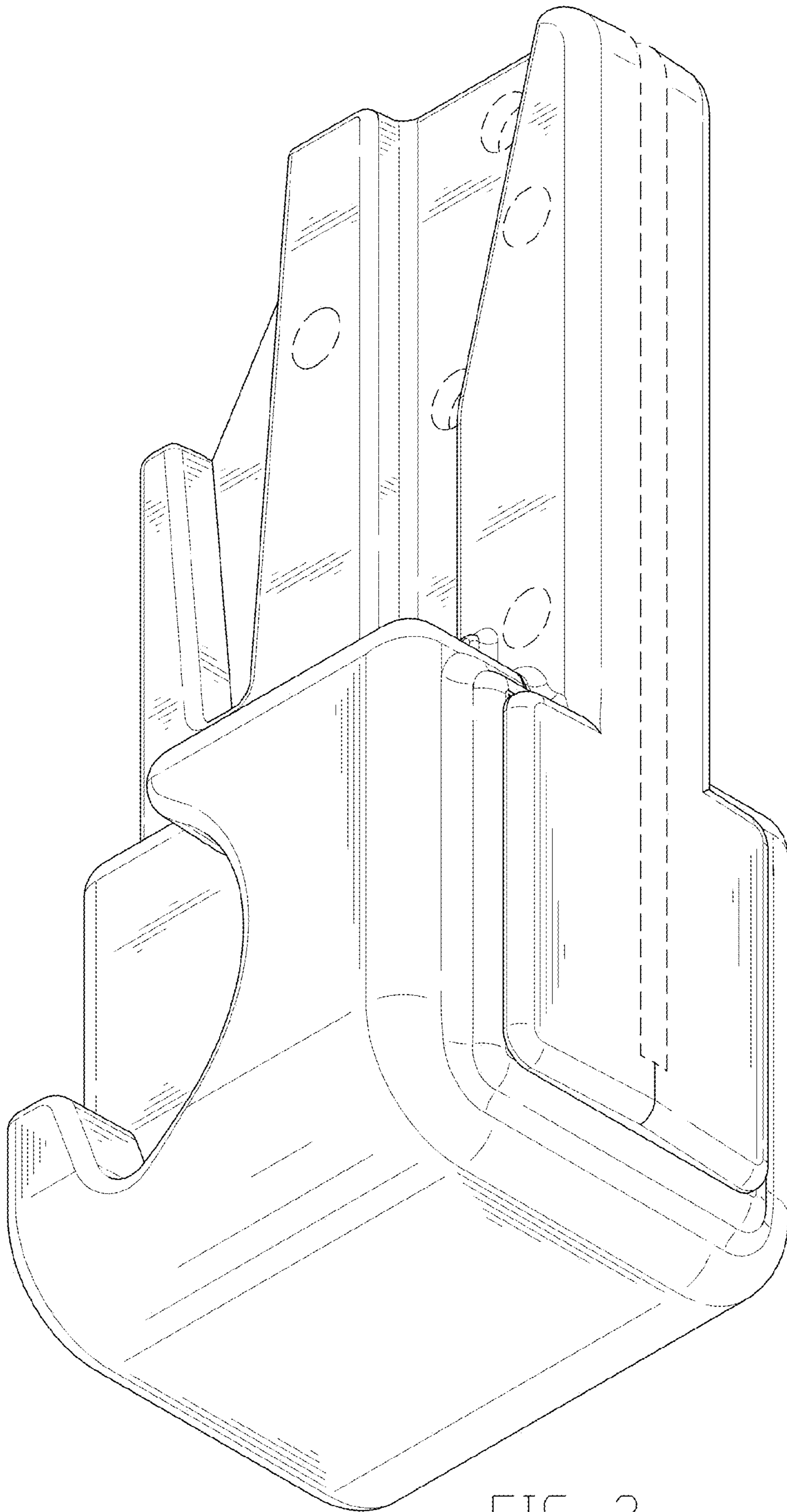


FIG. 2

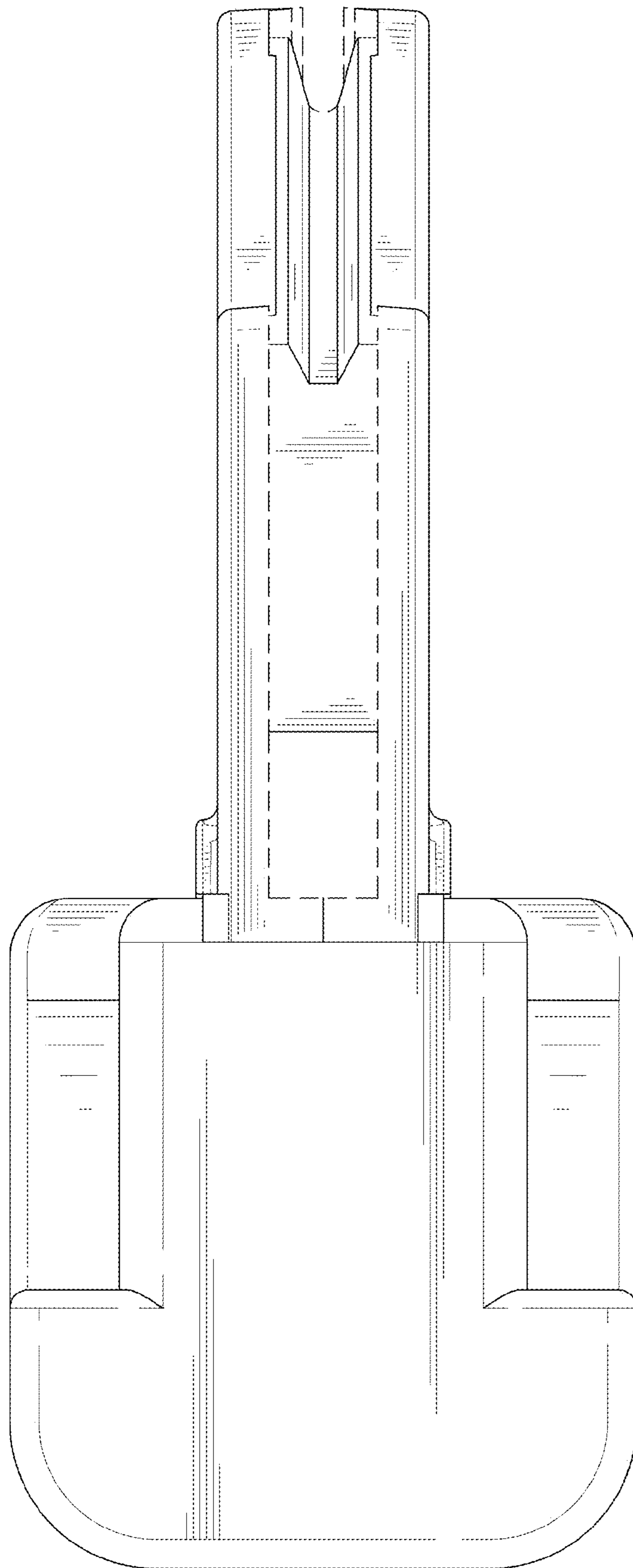


FIG. 3

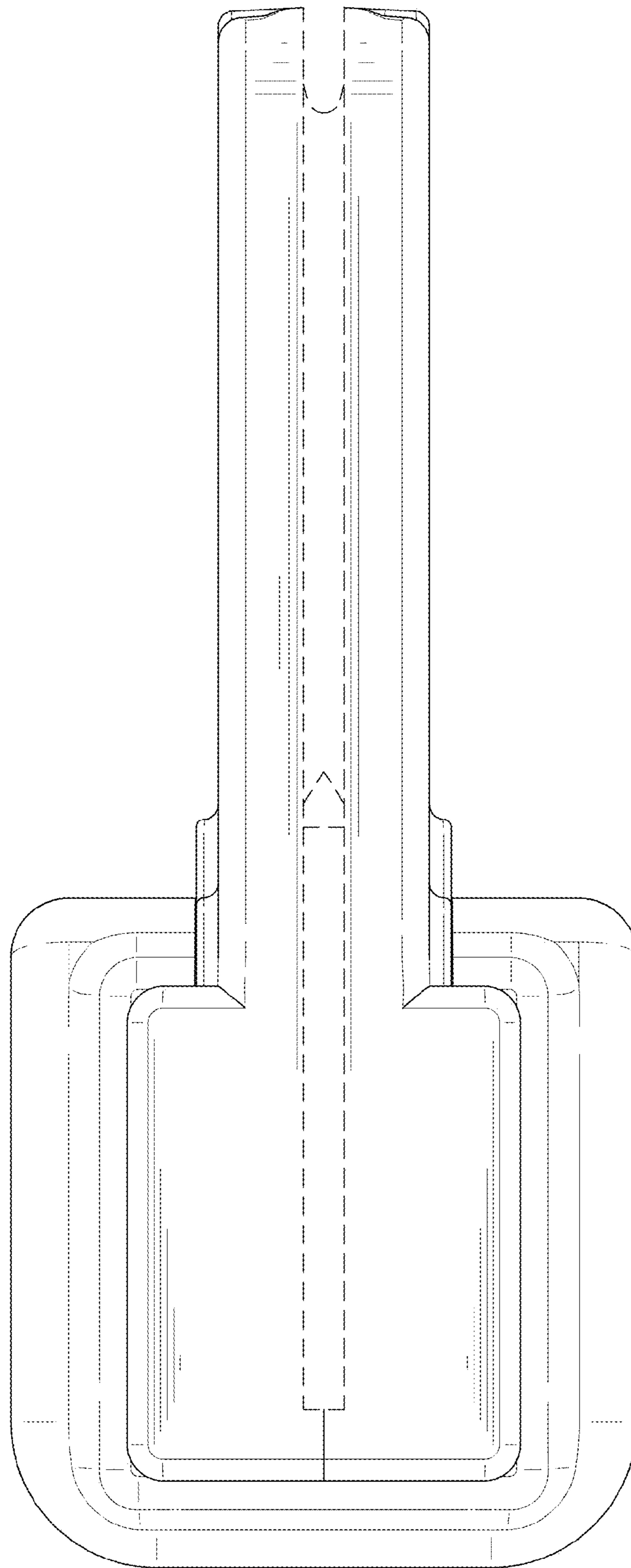


FIG. 4

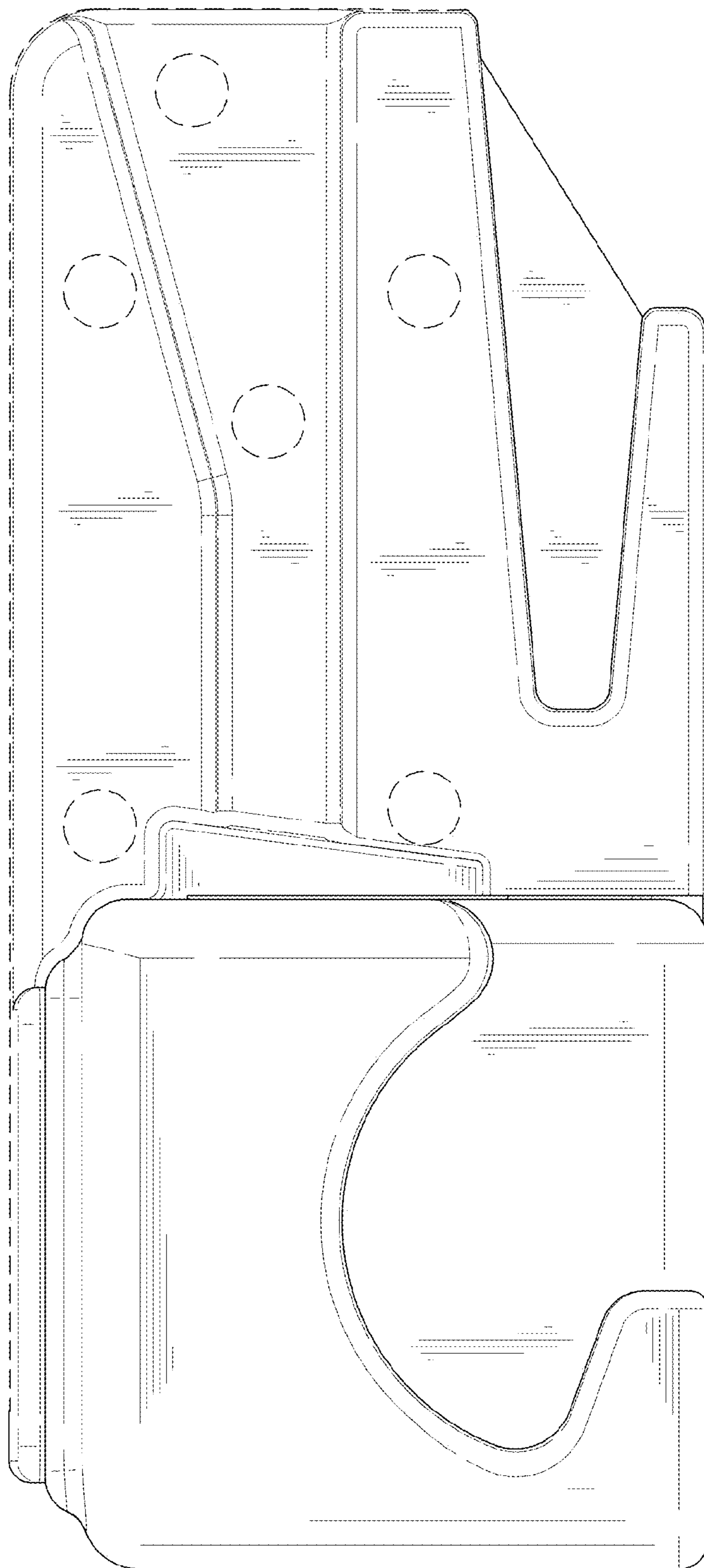


FIG. 5

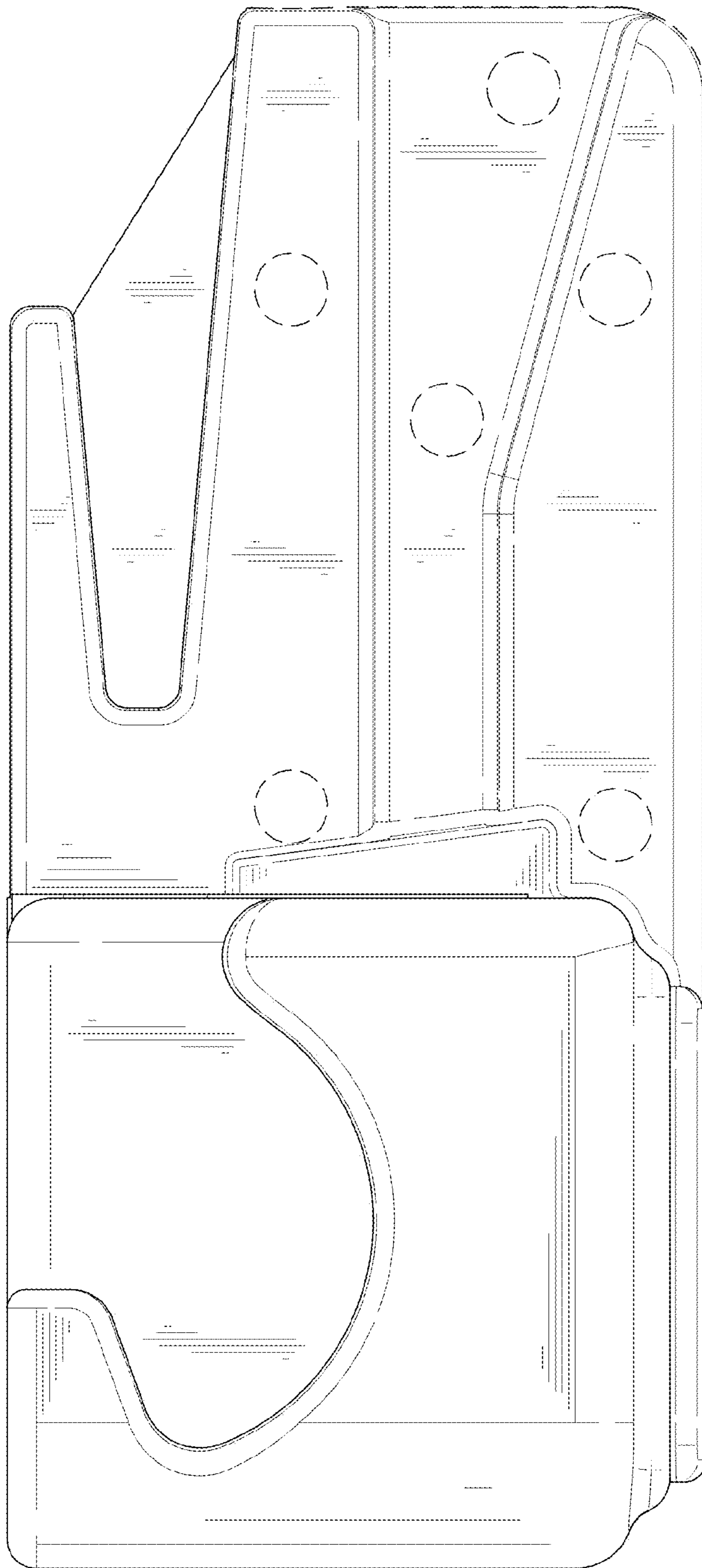


FIG. 6

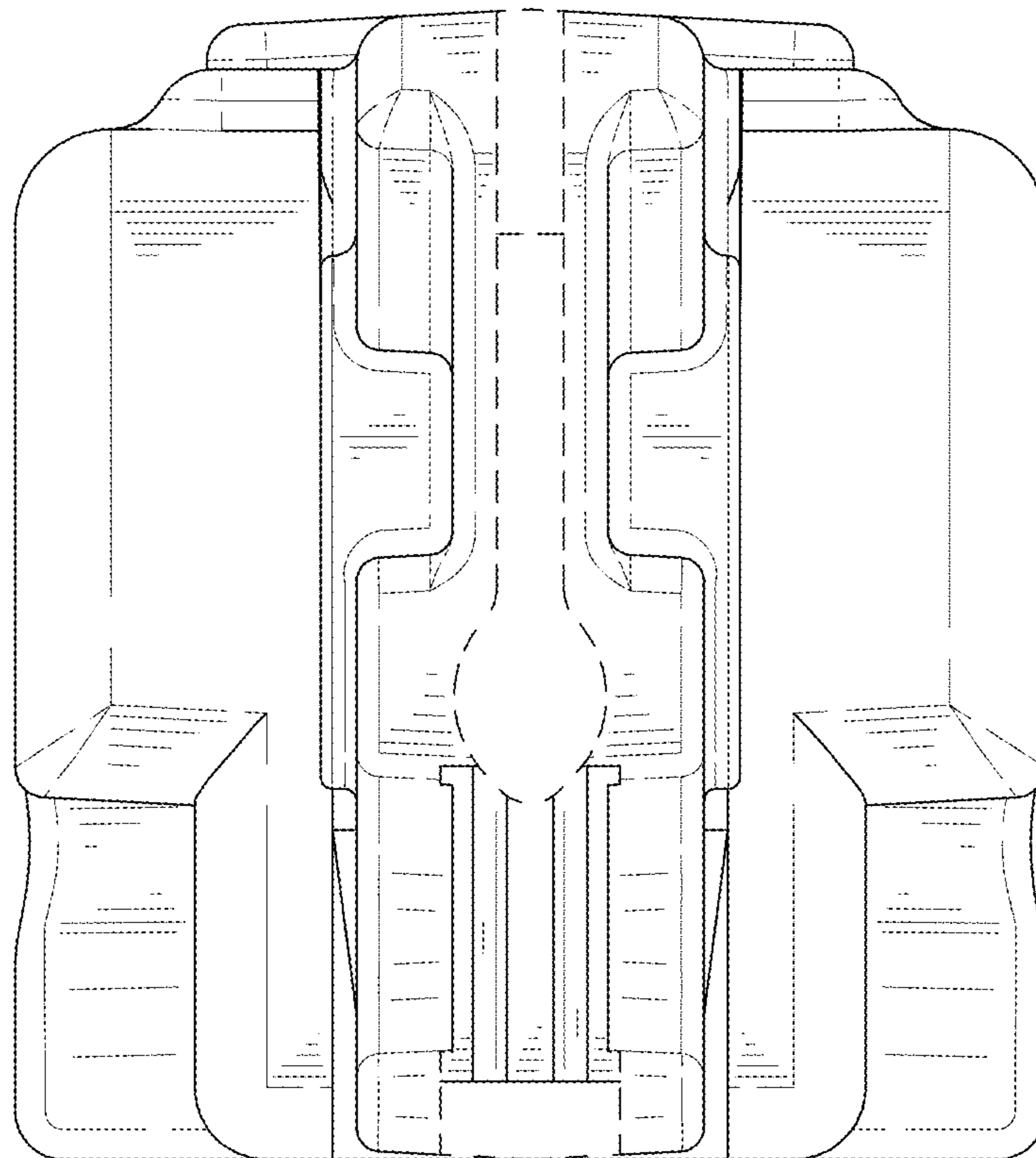


FIG. 7

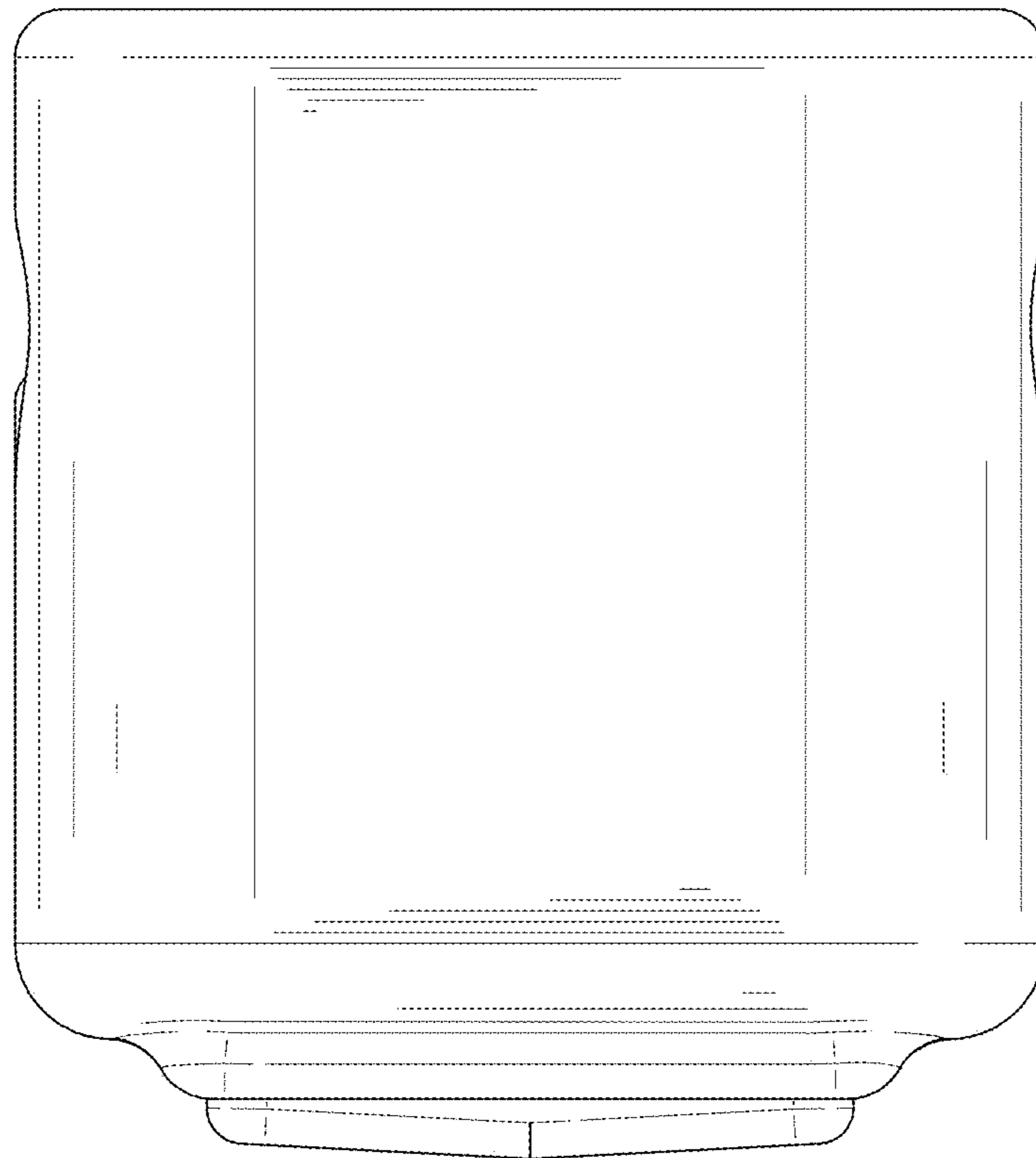


FIG. 8

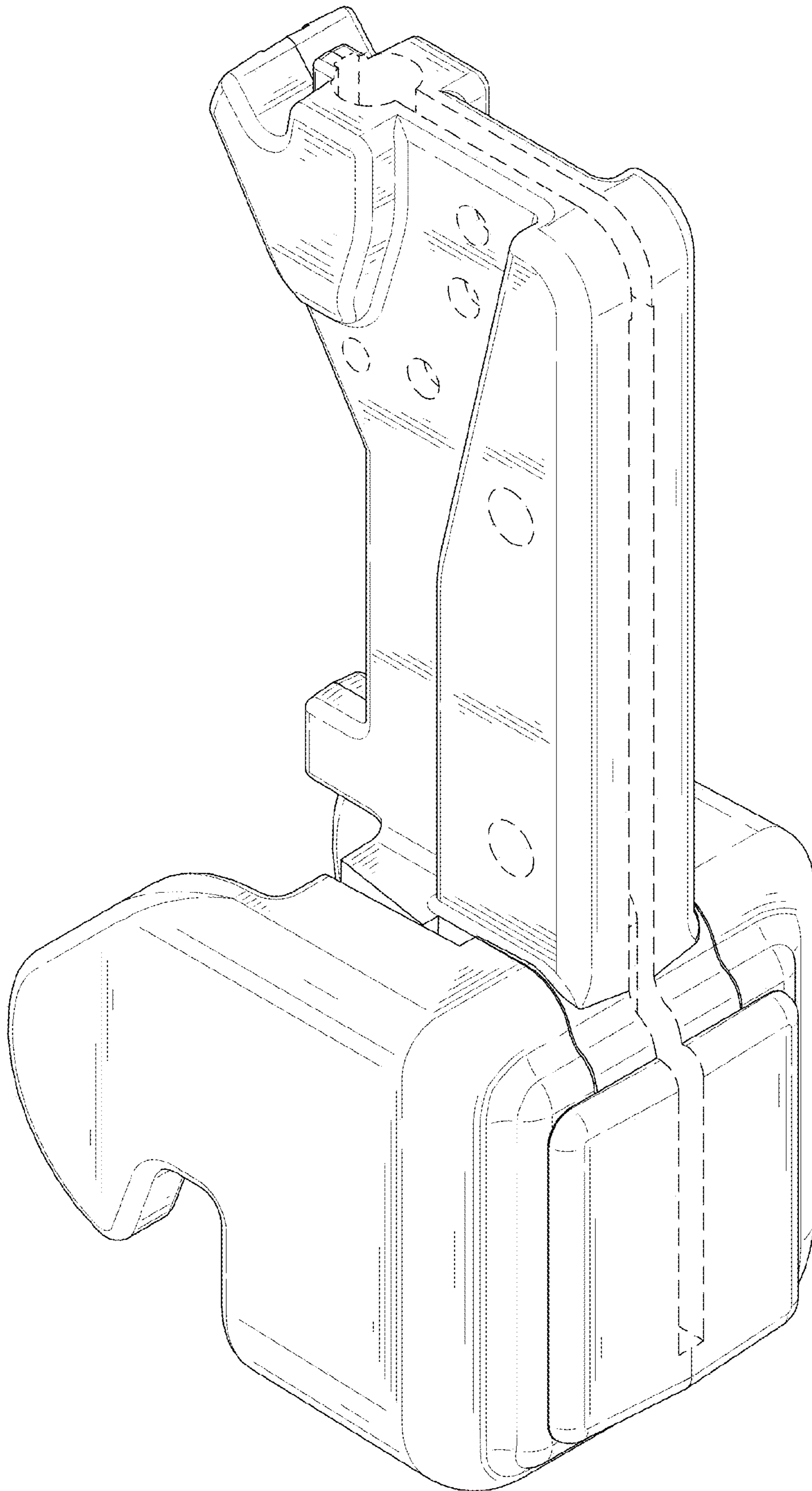


FIG. 9

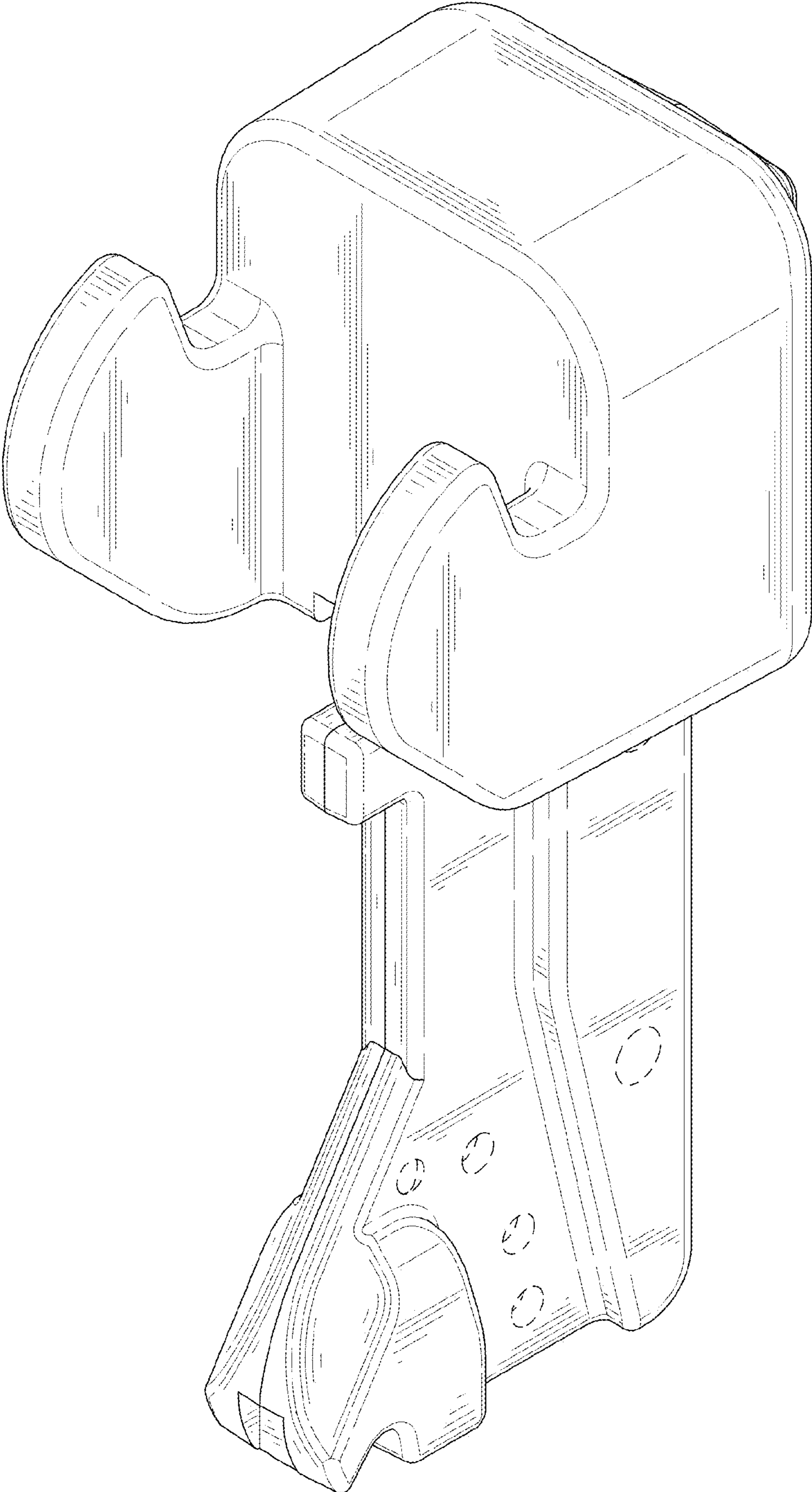


FIG. 10

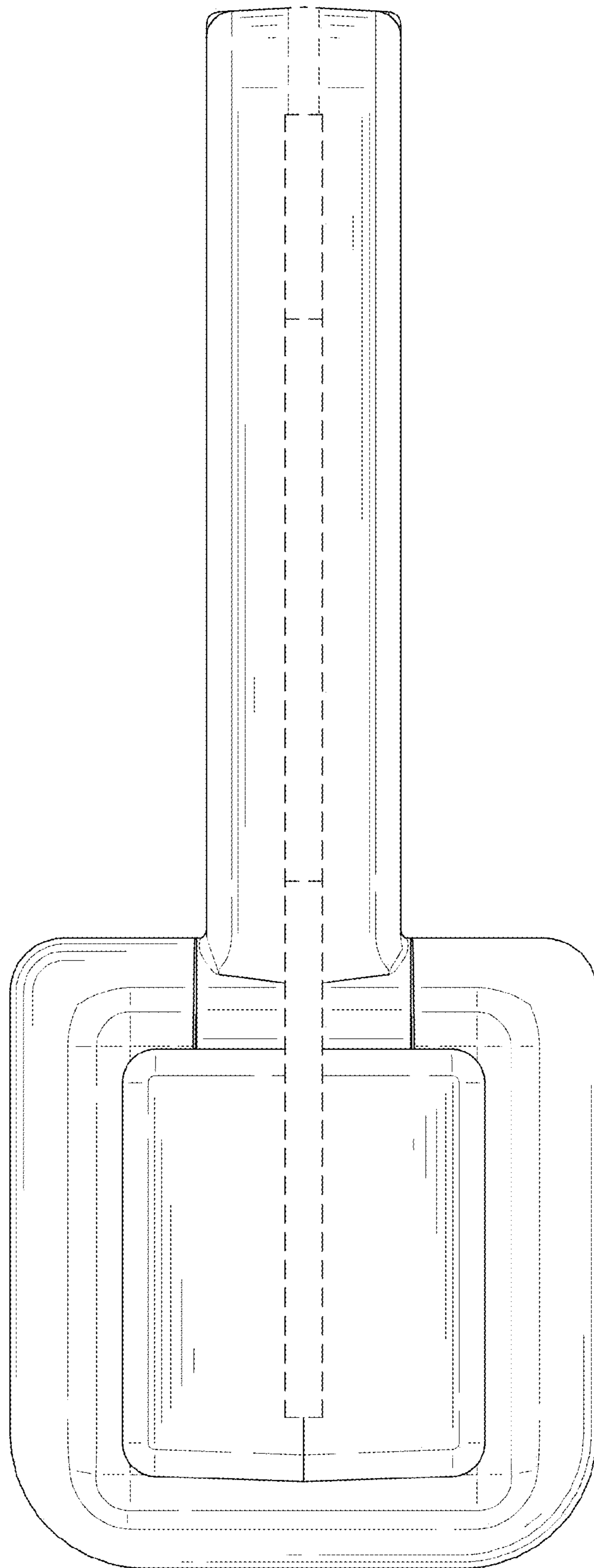


FIG. 11

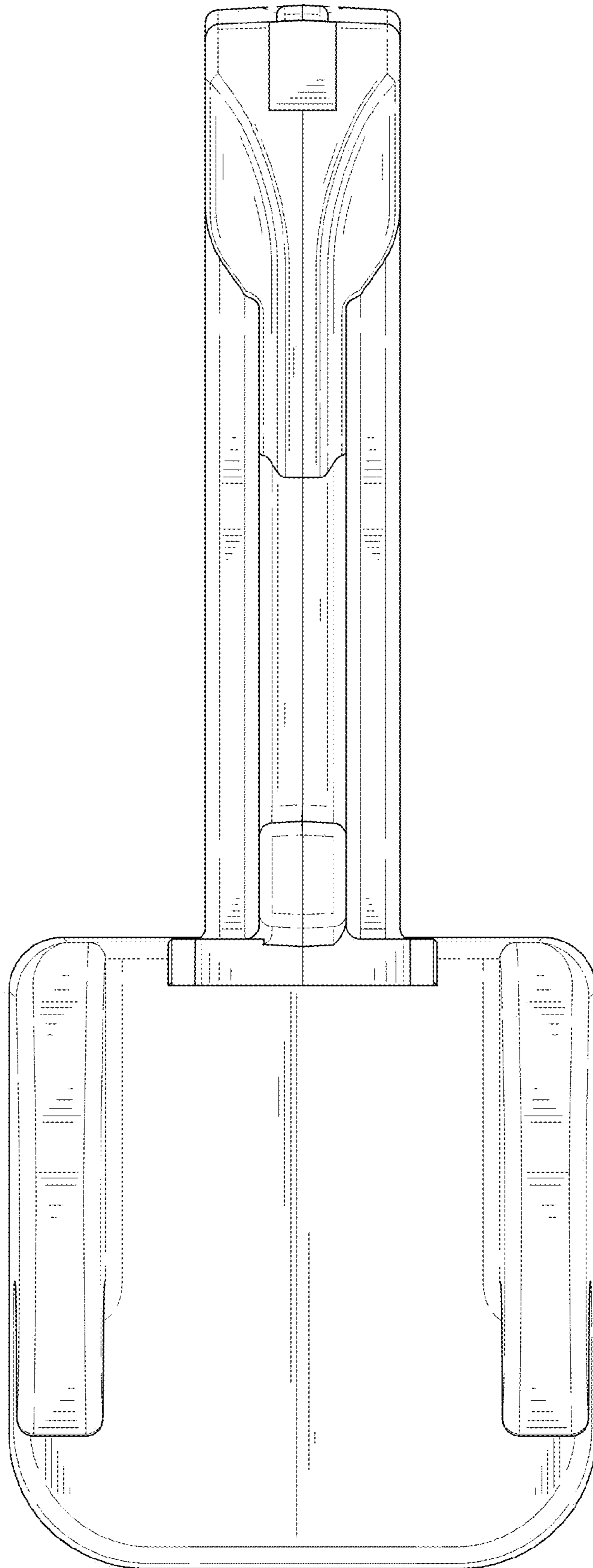


FIG. 12

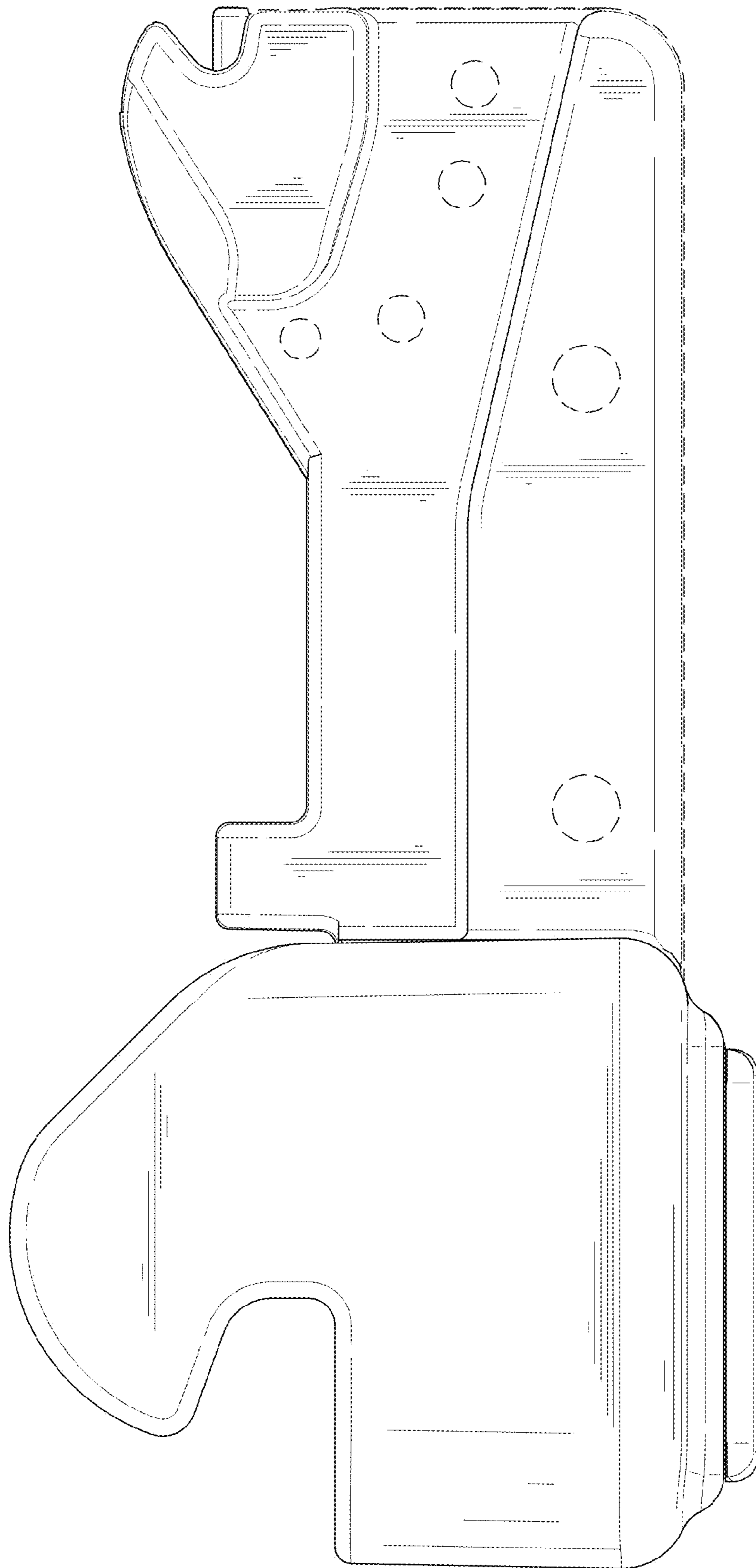


FIG. 13

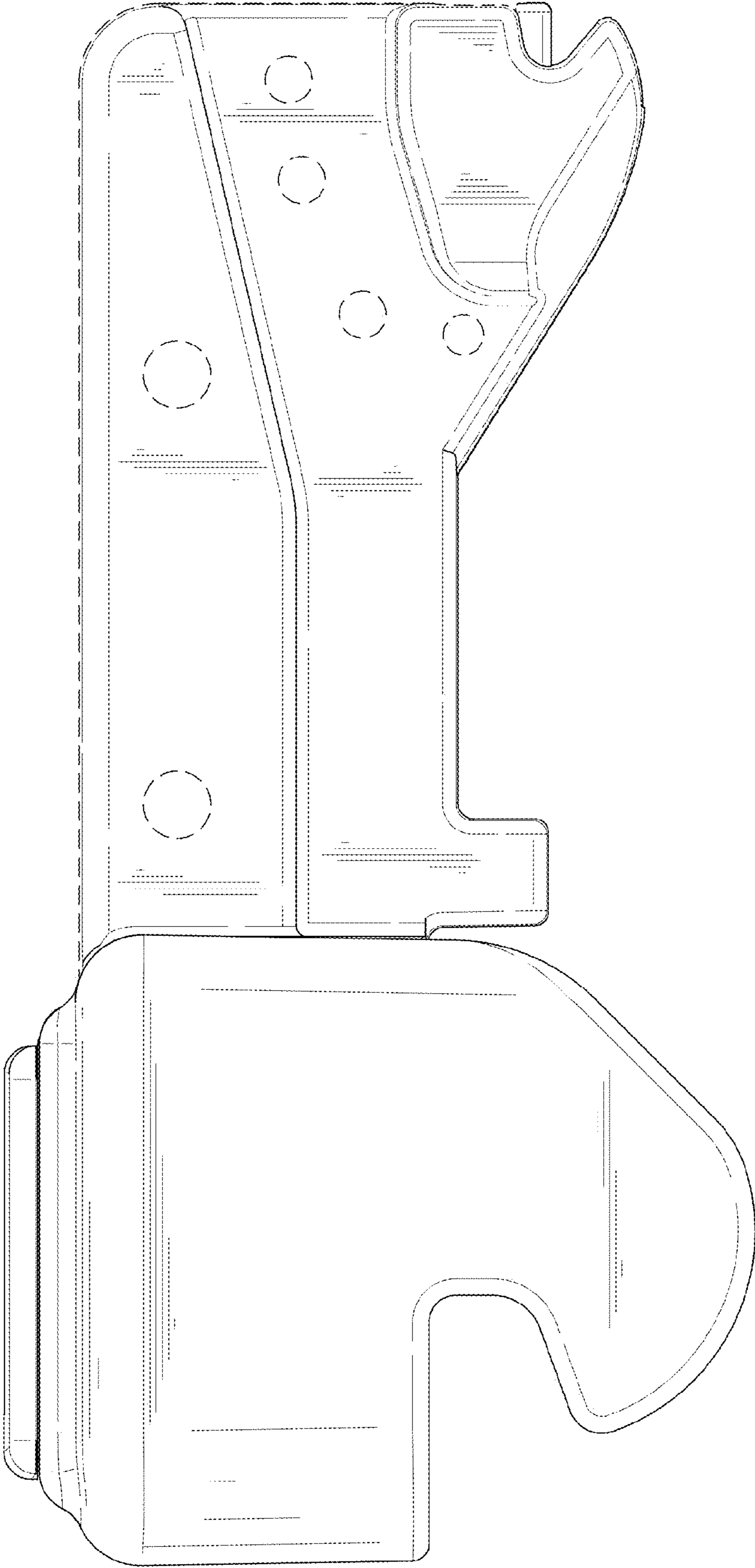


FIG. 14

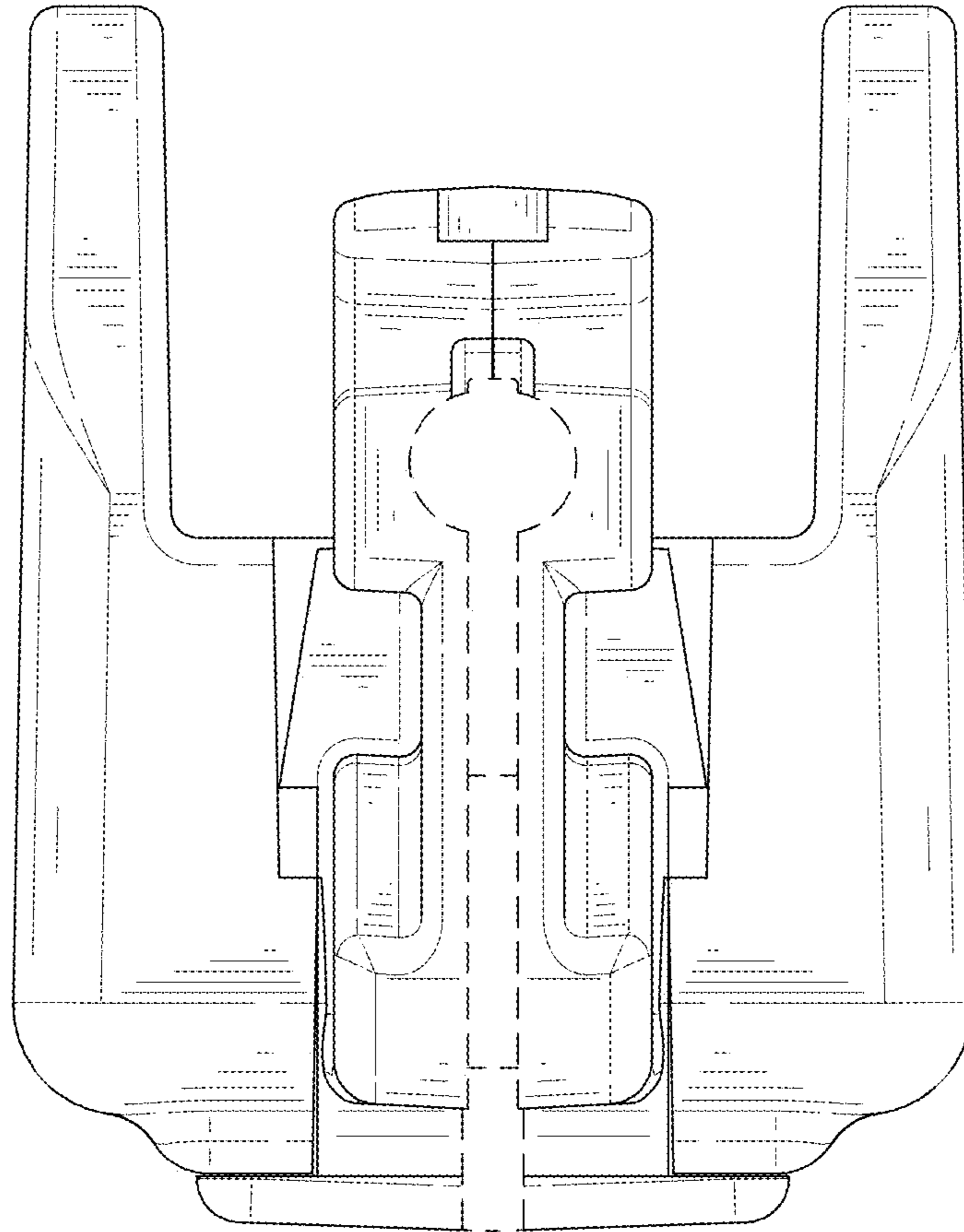


FIG. 15

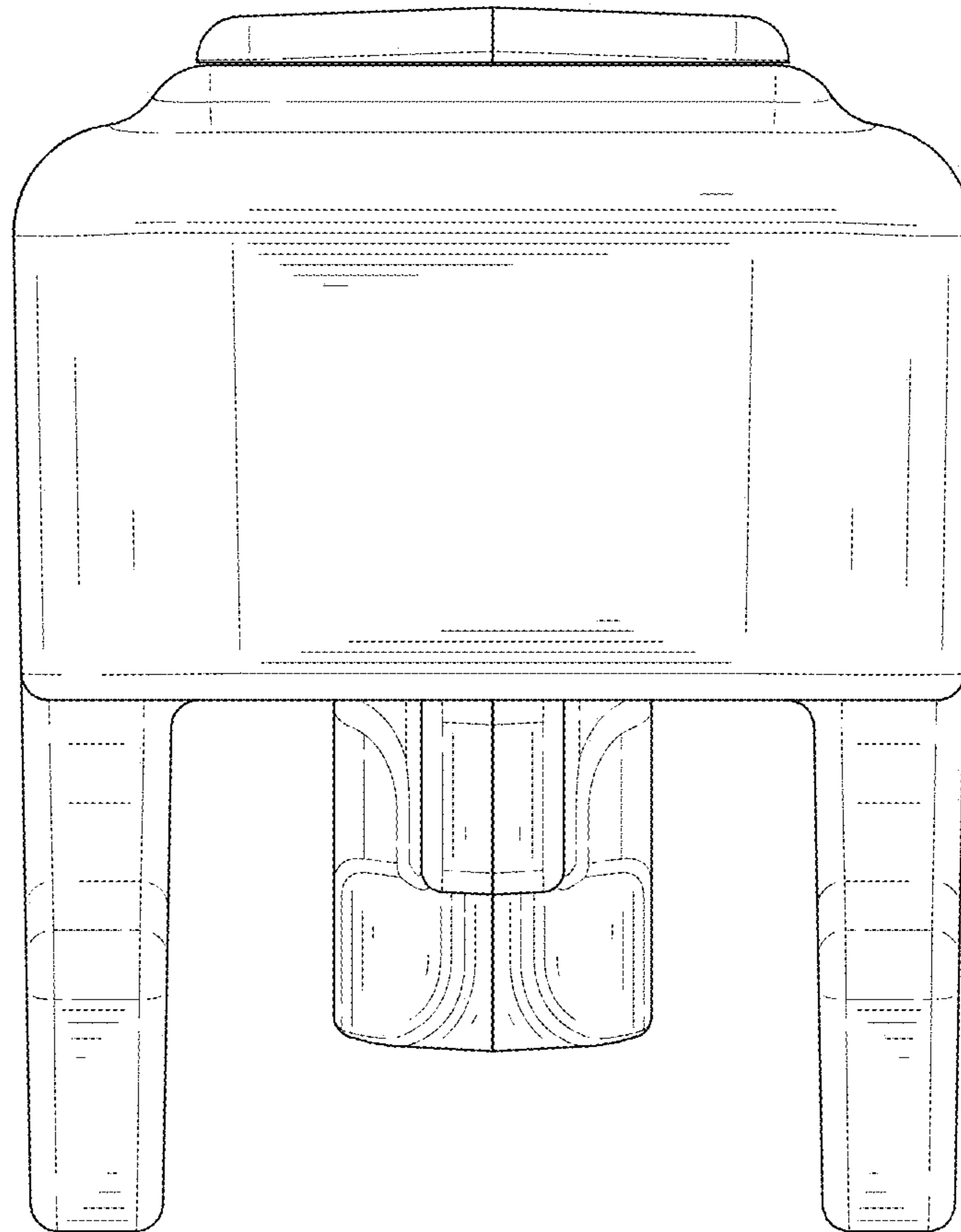


FIG. 16

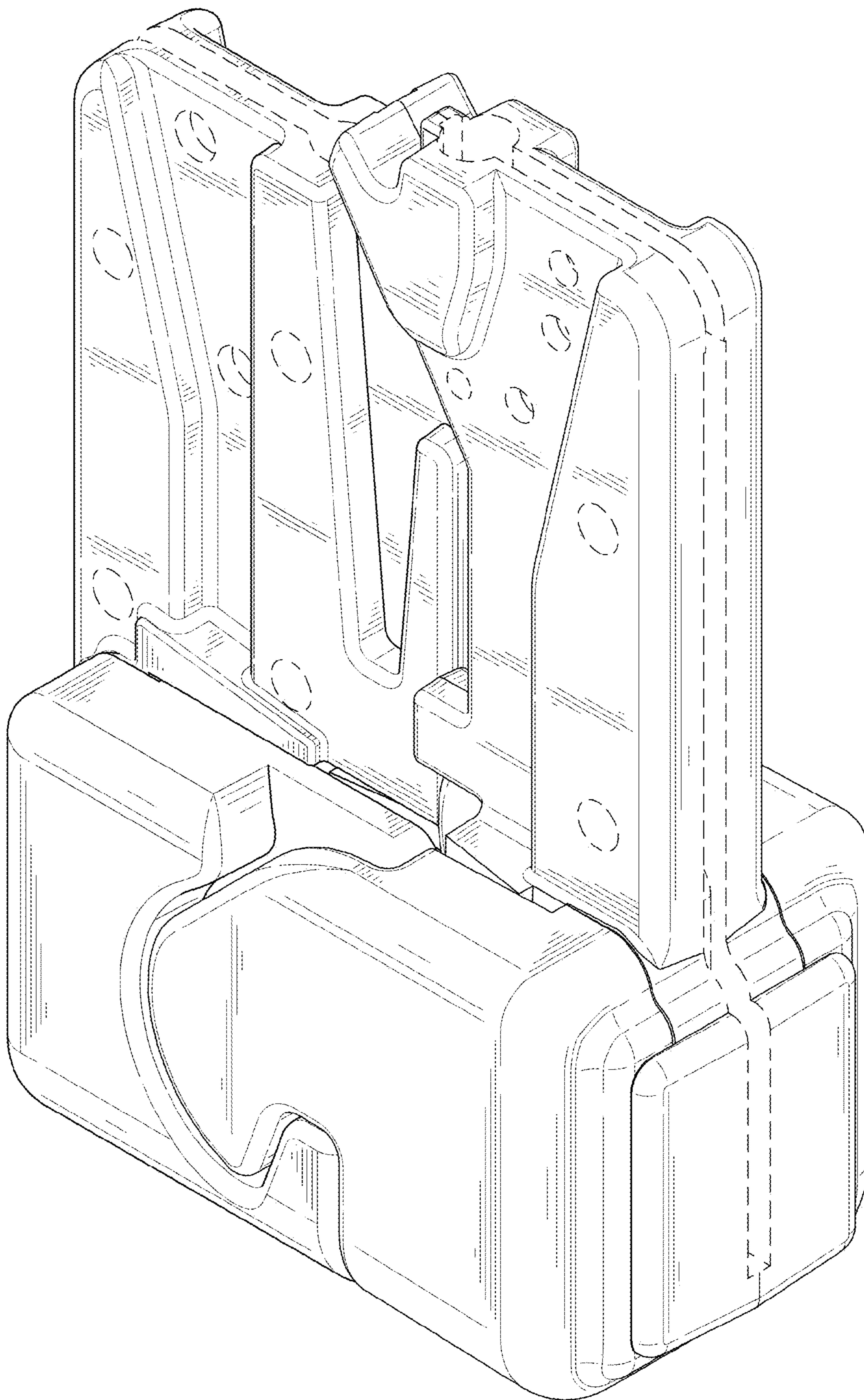


FIG. 17