



US00D913843S

(12) **United States Design Patent** (10) **Patent No.:** **US D913,843 S**
Noble (45) **Date of Patent:** **** Mar. 23, 2021**

(54) **STRAP ANCHOR**

(71) Applicant: **5.11, Inc.**, Manteca, CA (US)
(72) Inventor: **Matthew Noble**, Manteca, CA (US)
(73) Assignee: **5.11, Inc.**, Manteca, CA (US)
(**) Term: **15 Years**
(21) Appl. No.: **29/685,267**

(22) Filed: **Mar. 27, 2019**
(51) **LOC (13) Cl.** **02-07**
(52) **U.S. Cl.**
USPC **D11/208**
(58) **Field of Classification Search**
USPC D8/44, 349, 356; D11/200–241;
D2/627–640; D3/216
CPC ... A63B 33/00; A63B 33/002; A44B 17/0088;
A44B 13/0017; A44B 11/04; A44B
11/2557; A44B 11/25; A44B 11/2553;
A44B 11/266; A44B 11/06; A44B 11/01
See application file for complete search history.

(56) **References Cited**

U.S. PATENT DOCUMENTS

5,084,946 A * 2/1992 Lee A44B 11/006
24/200
D508,661 S * 8/2005 Kaneko D11/218
D562,728 S * 2/2008 Downing D11/210
D633,415 S * 3/2011 Grimm D11/218
D687,509 S * 8/2013 Iannello D22/108
D709,797 S * 7/2014 Iannello D11/218
D710,250 S * 8/2014 Iannello D11/218
D799,372 S * 10/2017 Paik D11/218
D839,716 S * 2/2019 Gertsma D8/356
D859,130 S * 9/2019 Spater D8/356
D888,612 S * 6/2020 Spater D11/218
2019/0343241 A1 * 11/2019 Lovato A44B 11/25

OTHER PUBLICATIONS

Sidewinder Straps LG, no date available, [online],[site visited Jul. 20, 2020]. Retrieved from url:https://www.511tactical.com/sidewinder-straps-lg-2pk.html (Year: 2020).*
Sidewinder Straps SM, no date available, [online],[site visited Jul. 20, 2020]. Retrieved from url:https://www.511tactical.com/sidewinder-straps-2pk.html (Year: 2020).*
Youtube 511 Tactical Sidewinder Straps and EDC Tools—2019 SHOT Show, GearSight, Jan. 26, 2019, [online],[site visited Jul. 20, 2020]. Retrieved from url: https://www.youtube.com/watch?v=rMQPN0R2omc (Year: 2019).*
http://www.itwnexusadvanced.com/content/web-dominator.

* cited by examiner

Primary Examiner — Michelle E. Wilson
Assistant Examiner — Tracey J Bell
(74) *Attorney, Agent, or Firm* — Knobbe, Martens, Olson & Bear, LLP

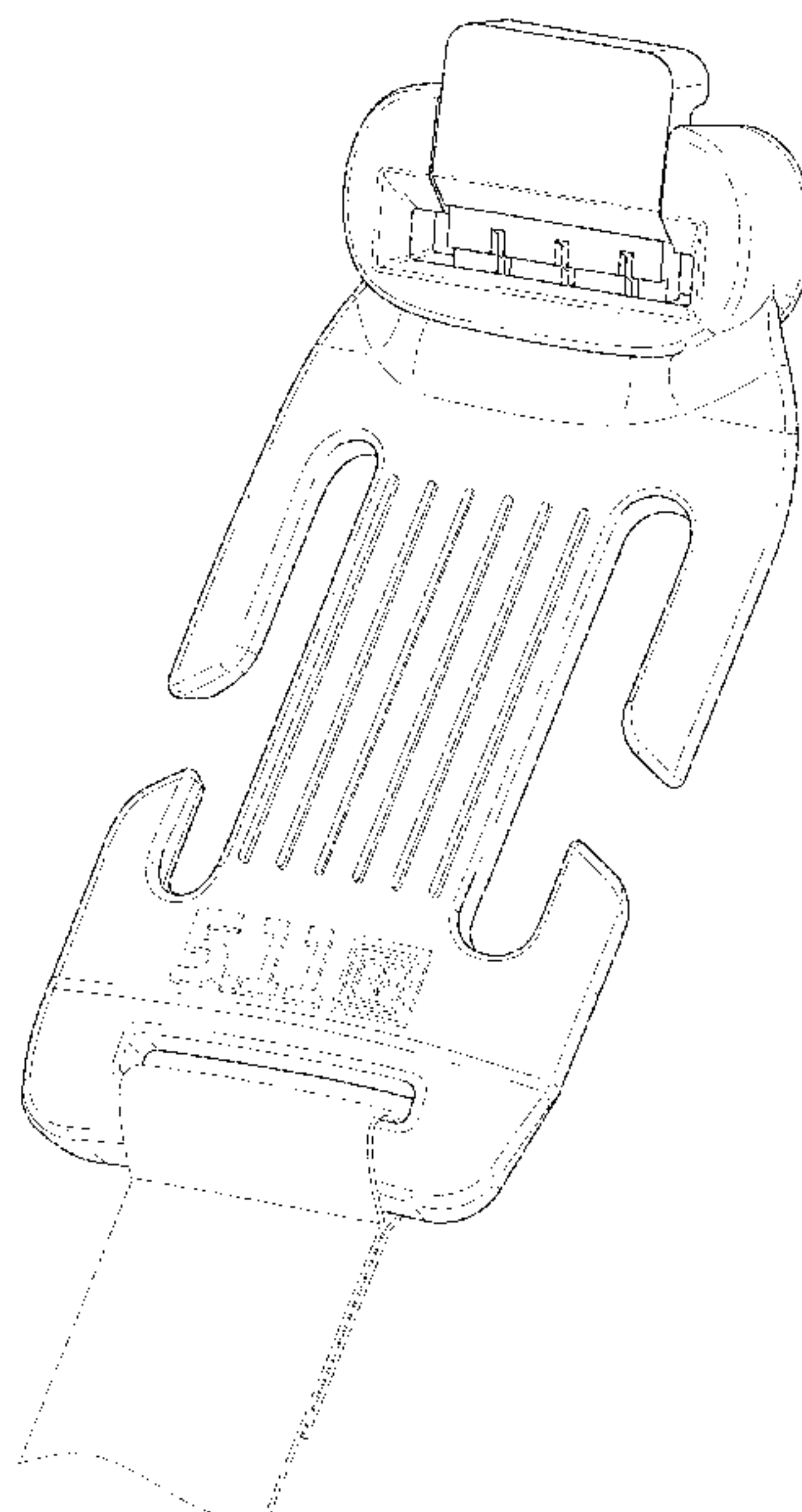
(57) **CLAIM**

The ornamental design for a strap anchor, as shown and described.

DESCRIPTION

FIG. 1 is a perspective view of a strap anchor.
FIG. 2 is a front view thereof.
FIG. 3 is a rear view thereof.
FIG. 4 is a left side view thereof.
FIG. 5 is a right side view thereof.
FIG. 6 is a top view thereof.
FIG. 7 is a bottom view thereof; and,
FIG. 8 is a perspective view thereof with a strap shown as environmental structure.
The broken lines in the drawings depict portions of the strap anchor and environmental subject matter that form no part of the claimed design.

1 Claim, 6 Drawing Sheets



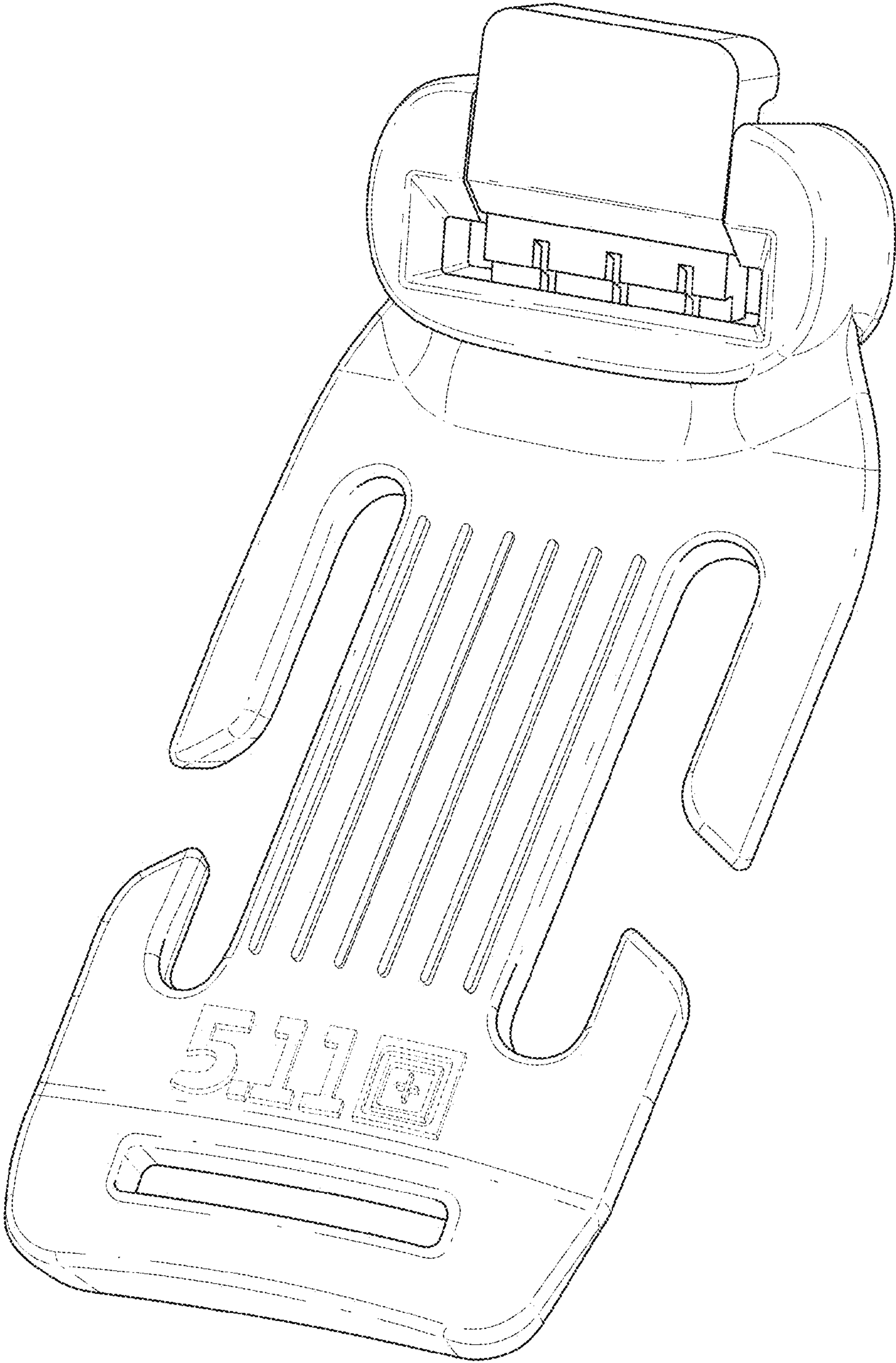


FIG. 1

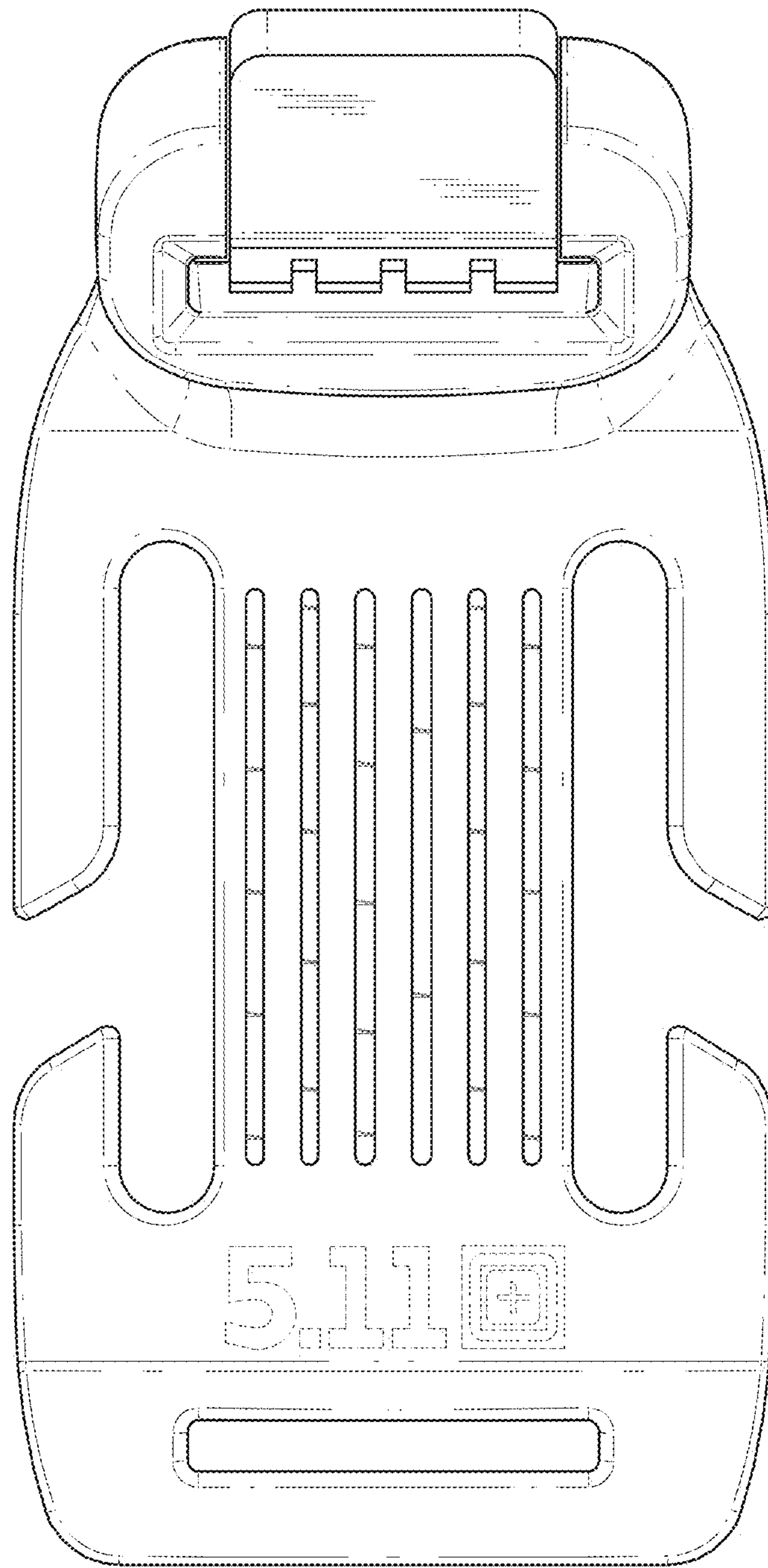


FIG. 2

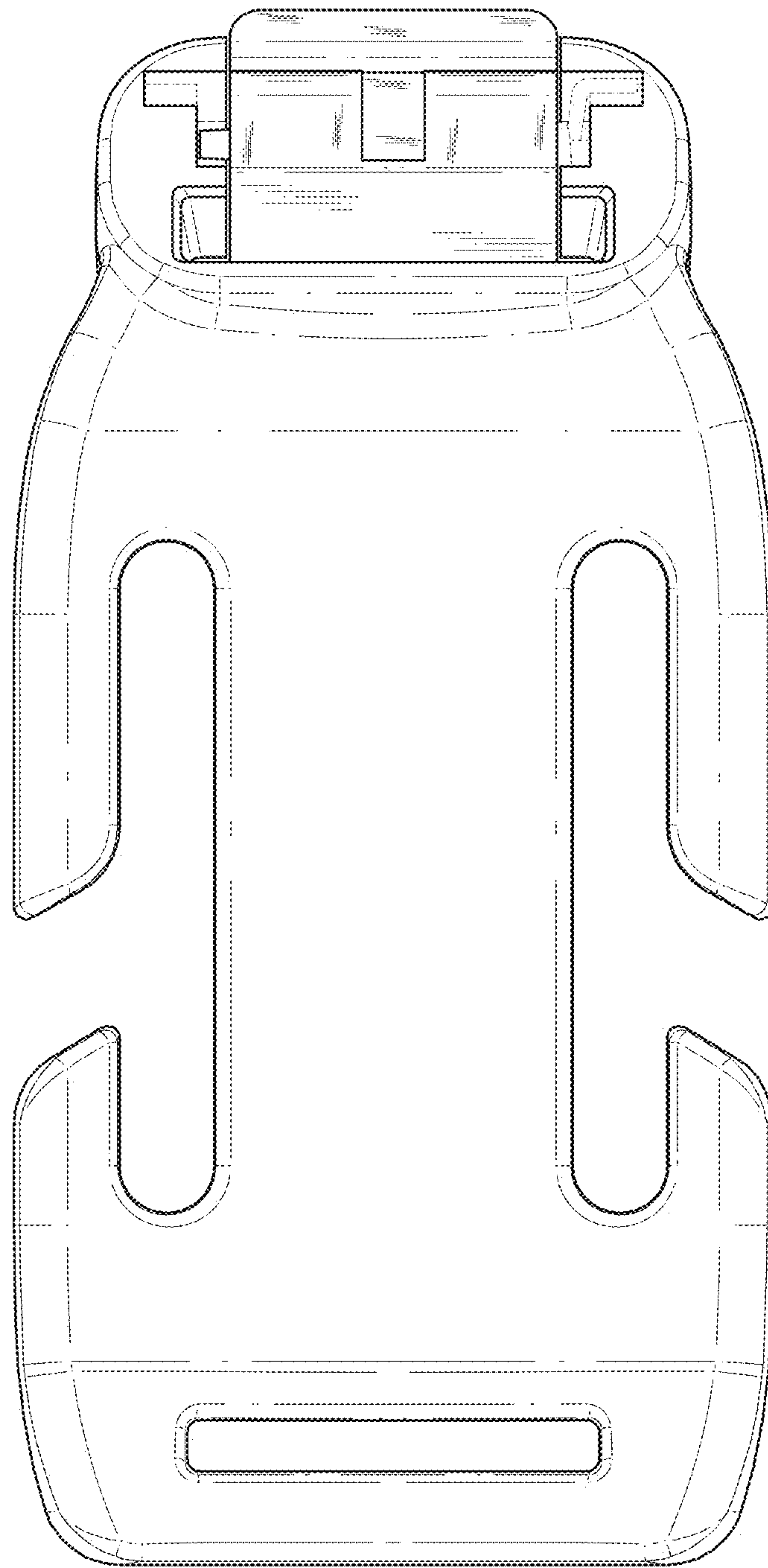


FIG. 3

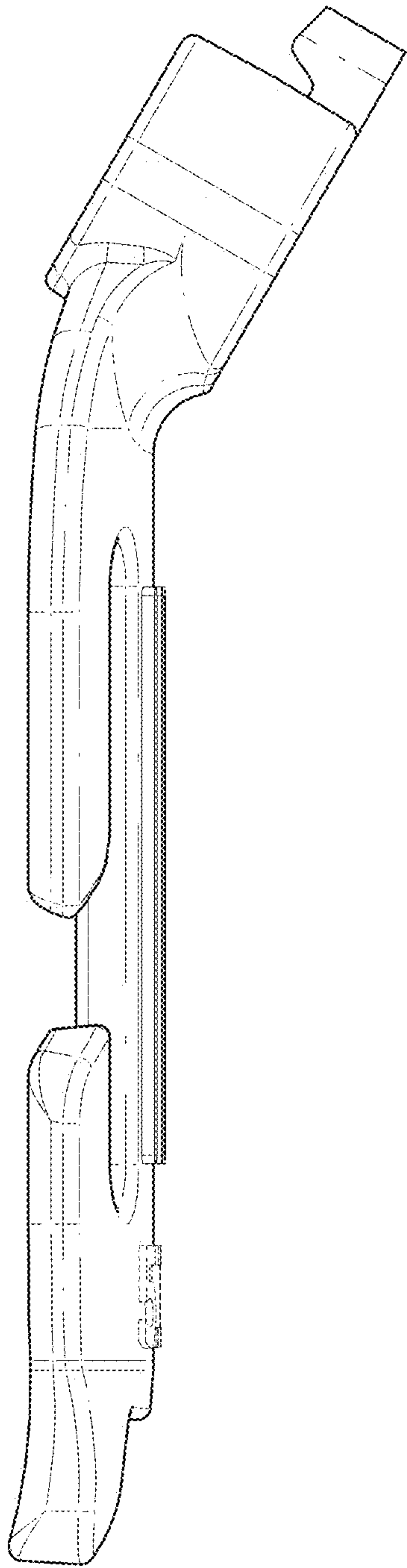


FIG. 4

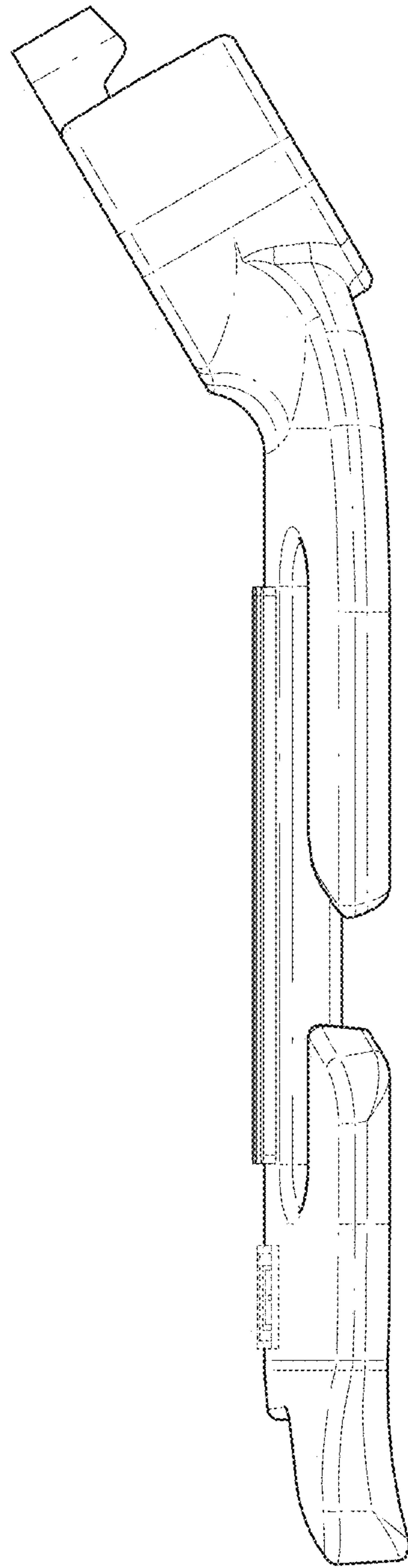


FIG. 5

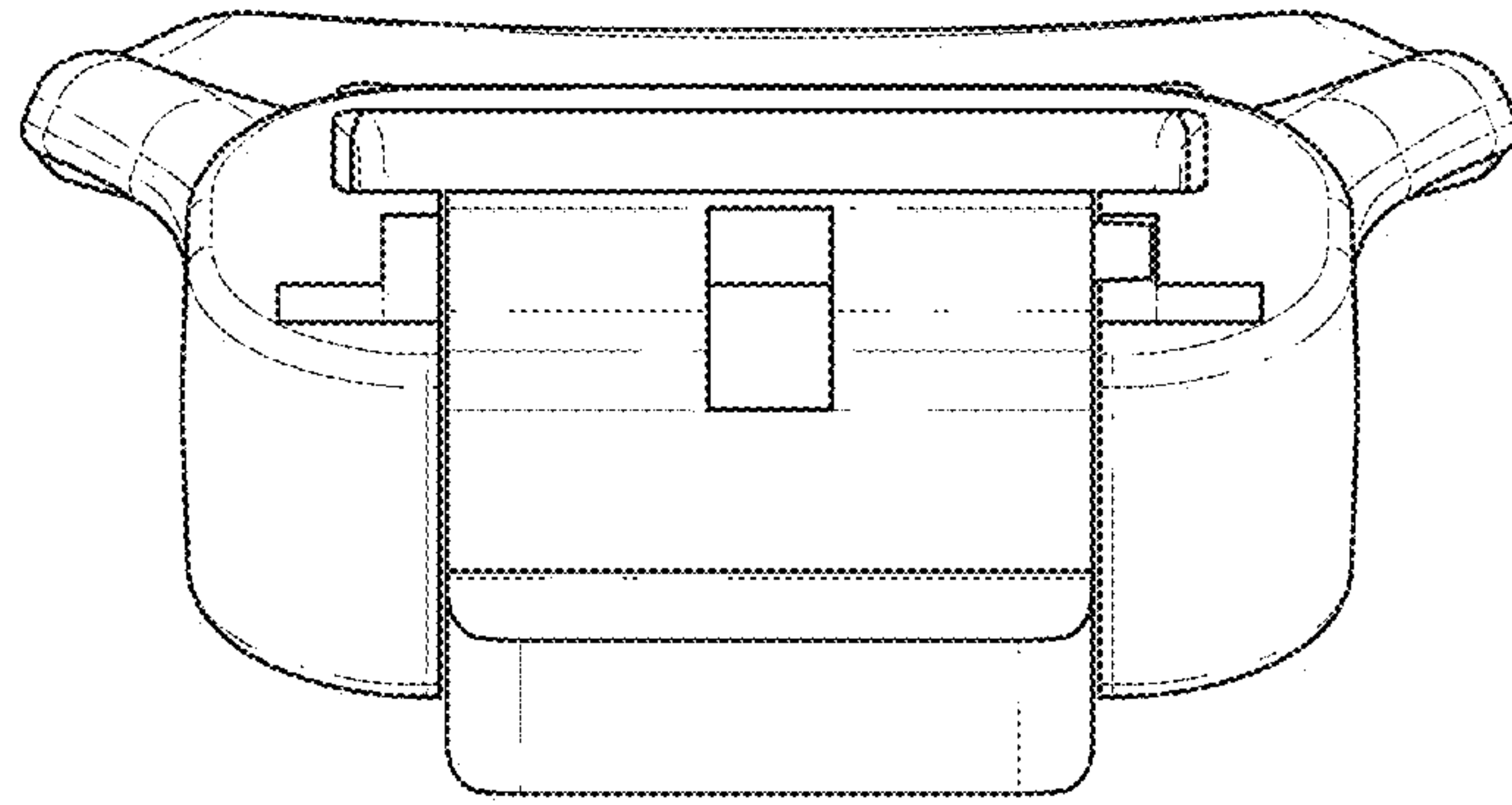


FIG. 6

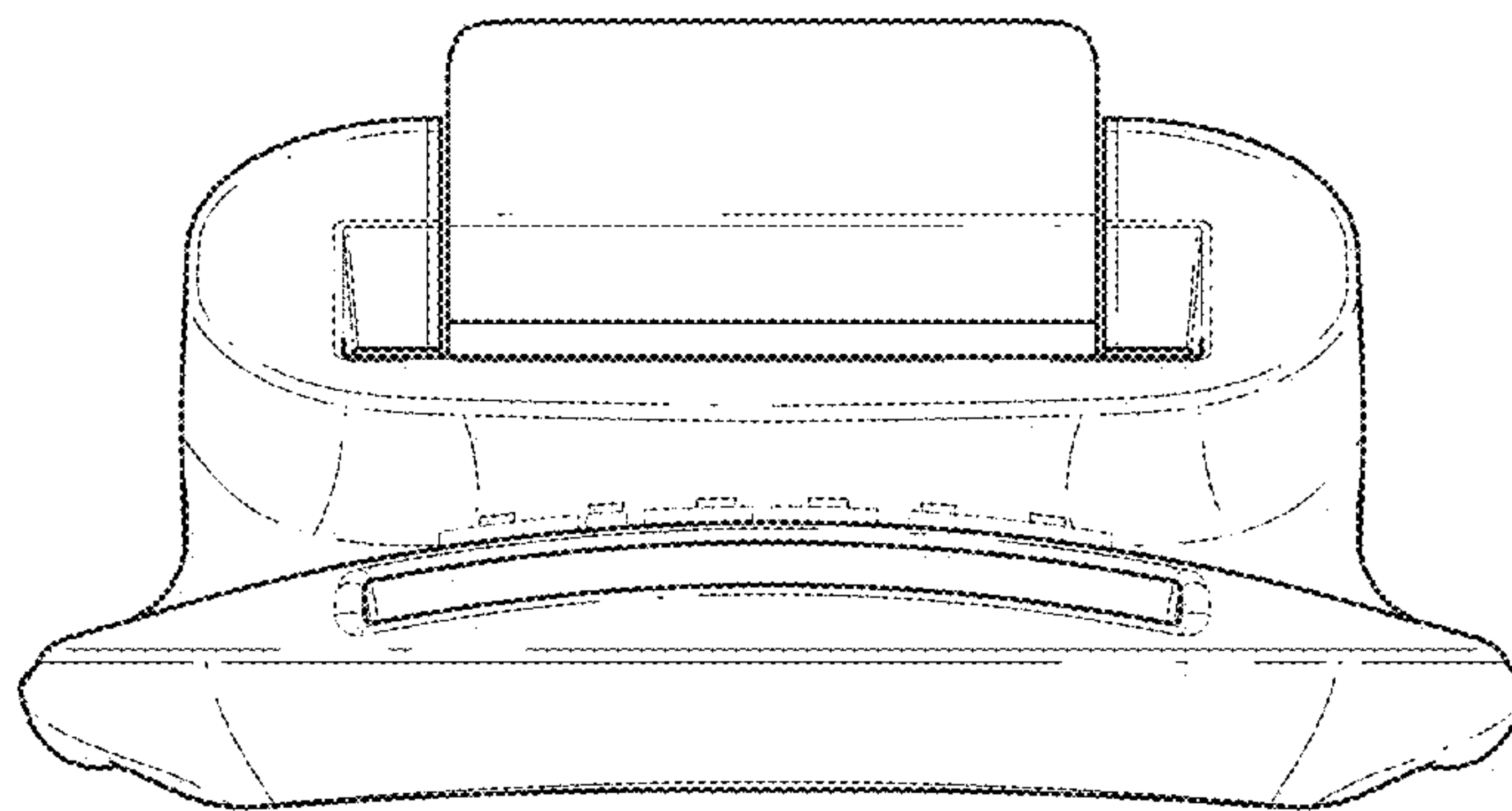


FIG. 7

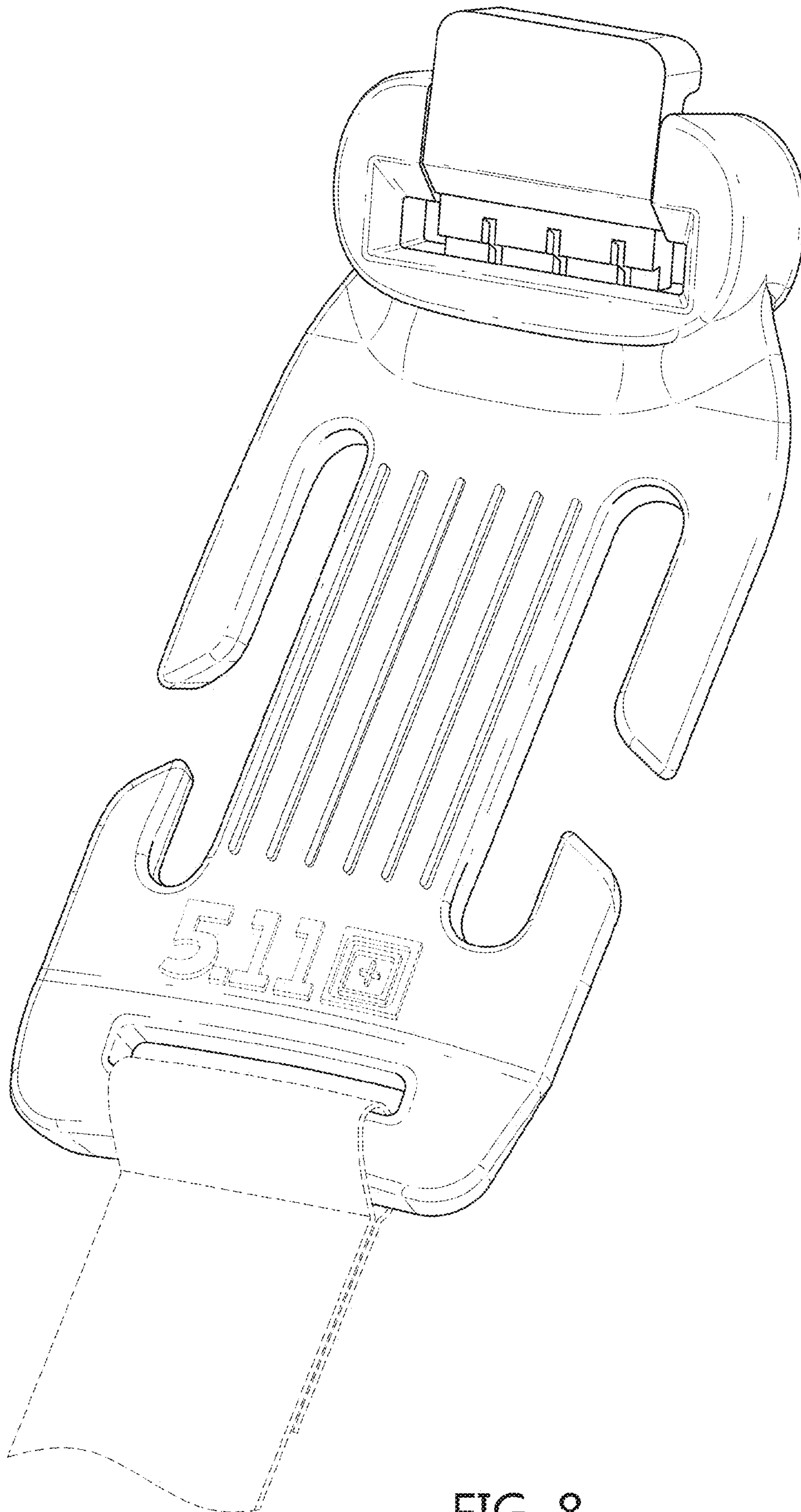


FIG. 8