



US00D913842S

(12) **United States Design Patent**
Vega

(10) **Patent No.:** **US D913,842 S**
(45) **Date of Patent:** **** Mar. 23, 2021**

- (54) **BOUQUET DISPLAY BOX**
- (71) Applicant: **Lisa V Co LLC**, Gainesville, FL (US)
- (72) Inventor: **Lisa C. Vega**, Gainesville, FL (US)
- (73) Assignee: **Lisa V Co LLC**, Gainesville, FL (US)
- (**) Term: **15 Years**
- (21) Appl. No.: **29/652,361**
- (22) Filed: **Jul. 27, 2020**
- (51) **LOC (13) Cl.** **11-02**
- (52) **U.S. Cl.**
USPC **D11/155**
- (58) **Field of Classification Search**
USPC D11/143–156, 164; D3/304;
D6/403–405, 556–558, 659, 675.1; D8/1;
D9/432
CPC ... A01G 5/04; A01G 5/06; A01G 9/00; A01G
9/02; A01G 9/021; A01G 9/023; A01G
9/027; A01G 9/028; A01G 9/029; A01G
9/28; A01G 31/06
See application file for complete search history.

- 4,118,890 A * 10/1978 Shore B65D 85/52
206/423
 - 4,185,767 A * 1/1980 Sykora B65D 5/4254
229/138
 - 4,381,623 A * 5/1983 Koistinen A01G 5/06
47/48.5
 - D289,105 S 4/1987 Sussman
 - D305,836 S 2/1990 Maia
 - 4,915,224 A * 4/1990 Wulf B65D 5/5059
206/423
 - 4,936,046 A * 6/1990 Miller B65D 85/52
206/423
 - D317,717 S * 6/1991 Carol D9/418
 - D327,423 S 6/1992 Turner-Adams
- (Continued)

Primary Examiner — Elizabeth A. Albert
(74) *Attorney, Agent, or Firm* — Smith & Hopen, P.A.;
Paul Murty

(57) **CLAIM**

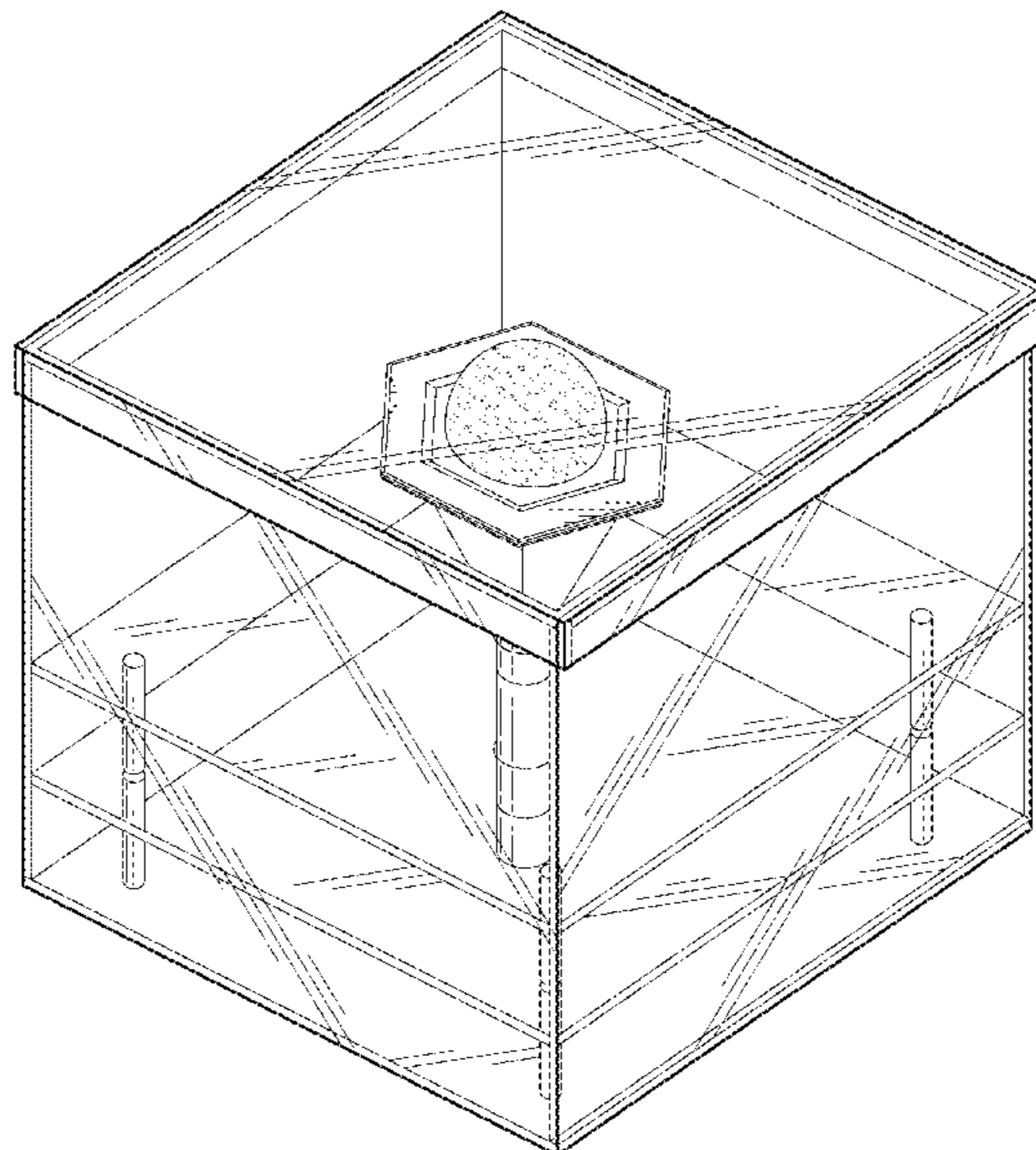
The ornamental design for a bouquet display box, as shown and described.

DESCRIPTION

FIG. 1 is a side perspective view of a bouquet display box. FIG. 2 is a front elevation view thereof. FIG. 3 is a rear elevation view thereof. FIG. 4 is a right-side elevation view thereof. FIG. 5 is a left-side elevation view thereof. FIG. 6 is a top plan view thereof. FIG. 7 is a bottom plan view thereof. FIG. 8 is a rear elevation view thereof. FIG. 9 is a rear perspective view of the holder, shown without the bouquet display box for convenience; and, FIG. 10 is a rear elevation view of the holder, shown without the bouquet display box for convenience. The flowers and the floral arrangement delineated in broken lines are environment and form no part of the claimed design.

1 Claim, 9 Drawing Sheets

- (56) **References Cited**
U.S. PATENT DOCUMENTS
- 1,439,601 A * 12/1922 Boop A01C 7/02
111/92
- 1,646,902 A * 10/1927 Diebold A47F 3/145
206/761
- D85,875 S * 12/1931 Jones D9/635
- 2,766,921 A * 10/1956 Jones B65D 5/60
229/103.11
- 2,830,405 A * 4/1958 Nydegger B65D 75/522
47/84
- D244,085 S 4/1977 Giddings
- 4,071,064 A * 1/1978 Saul B65D 15/22
206/423
- D248,004 S * 5/1978 Simpson D11/146



(56)

References Cited

U.S. PATENT DOCUMENTS

5,379,549 A *	1/1995	Carcich	B65D 85/505 47/84	D580,679 S	11/2008	Broel	
5,454,213 A *	10/1995	Gola	B65B 25/026 53/474	D698,693 S	2/2014	Sghayer	
5,582,293 A *	12/1996	Kay	B65D 5/4204 206/457	D717,667 S *	11/2014	Nicholas	D9/721
D380,417 S *	7/1997	Hardy	D11/125	D735,602 S	8/2015	Anderson et al.	
5,710,641 A *	1/1998	Lowry	B65D 5/4233 358/462	D741,165 S	10/2015	Yassin	
D392,914 S	3/1998	Friend		D743,837 S	11/2015	Zand	
6,061,955 A *	5/2000	Domstein	A47G 7/063 206/423	D798,598 S	10/2017	Foley	
D455,073 S *	4/2002	Mizrahi	D9/418	D812,316 S *	3/2018	Valdez	D30/121
6,463,697 B2 *	10/2002	Weder	B65D 81/05 211/74	D817,771 S *	5/2018	Smith	D9/635
7,143,703 B2 *	12/2006	Gallant	A01C 5/02 111/92	D832,698 S	11/2018	Uglialoro	
D555,441 S *	11/2007	Shepardson	D8/1	10,398,089 B2	9/2019	De Swert	
D574,627 S	8/2008	Broel		D864,750 S	10/2019	Jordan	
				10,427,836 B2 *	10/2019	Van Den Kieboom	B65D 41/02
				D885,178 S *	5/2020	Metry	D9/432
				10,721,874 B2 *	7/2020	Uglialoro	G06Q 30/0621
				2005/0155902 A1 *	7/2005	Rooney	B65D 85/505 206/575
				2013/0036669 A1 *	2/2013	Rabii	A01G 24/00 47/62 R
				2017/0367272 A1	12/2017	Uglialoro	

* cited by examiner

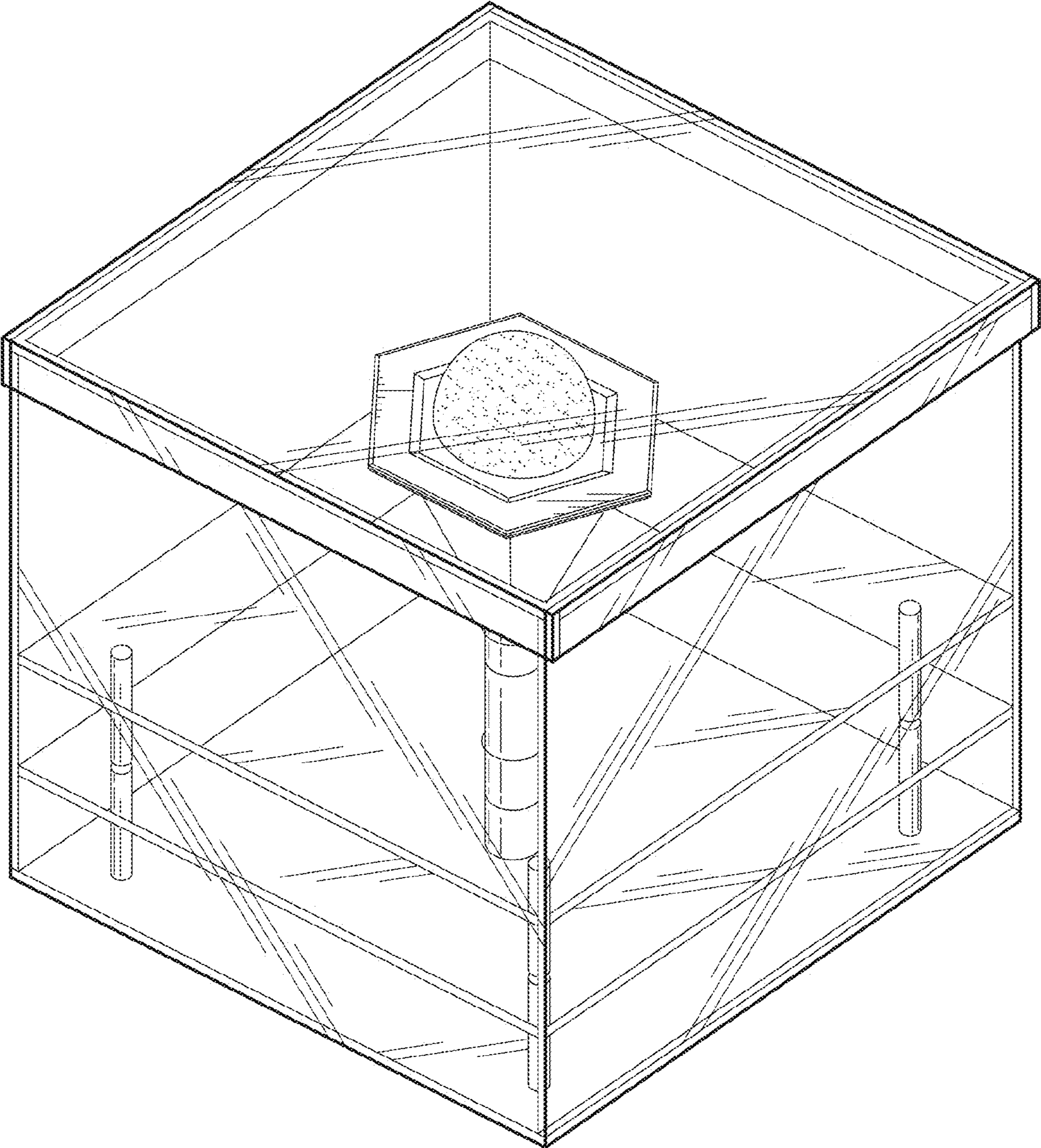


FIG. 1

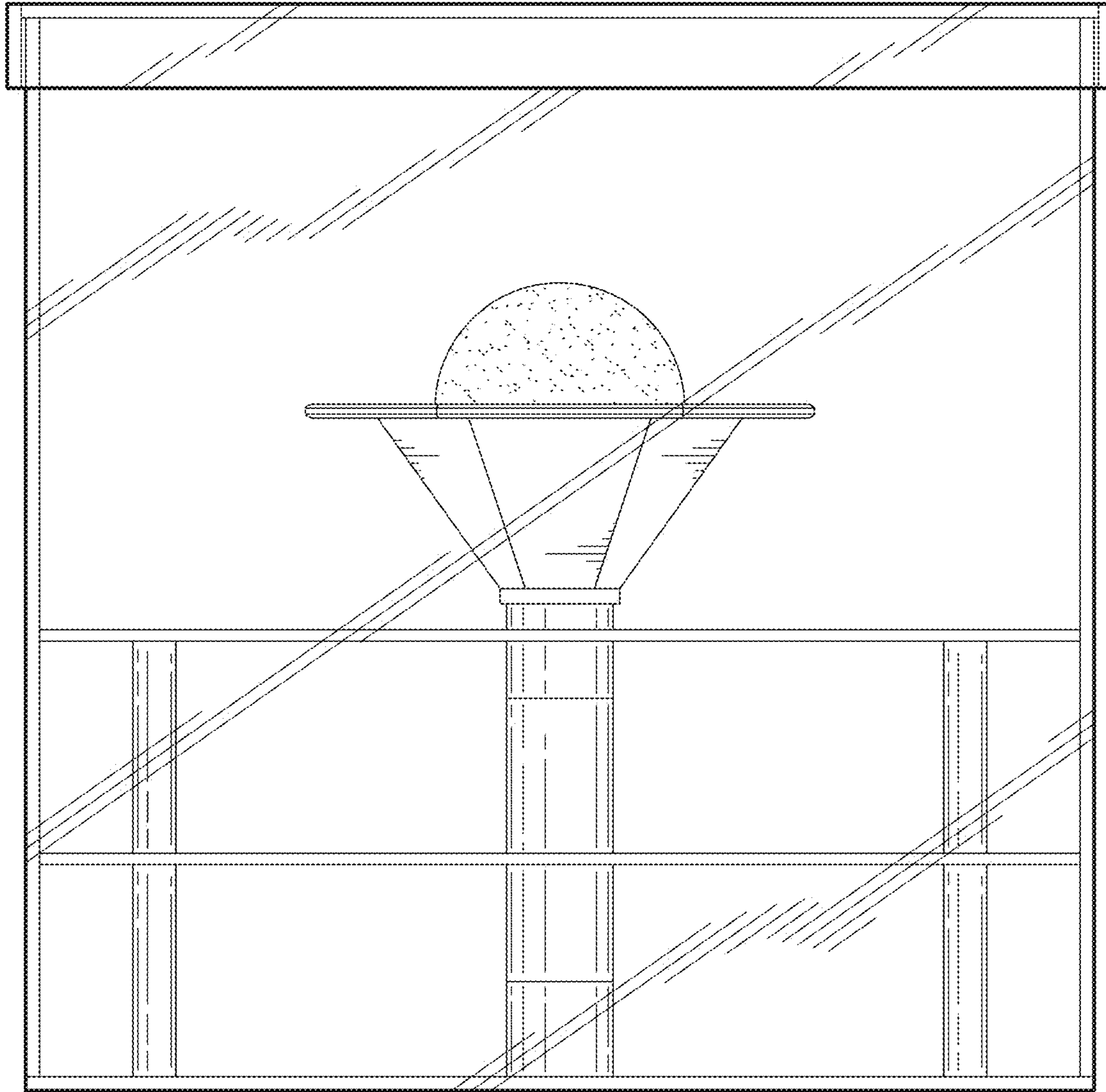


FIG. 2

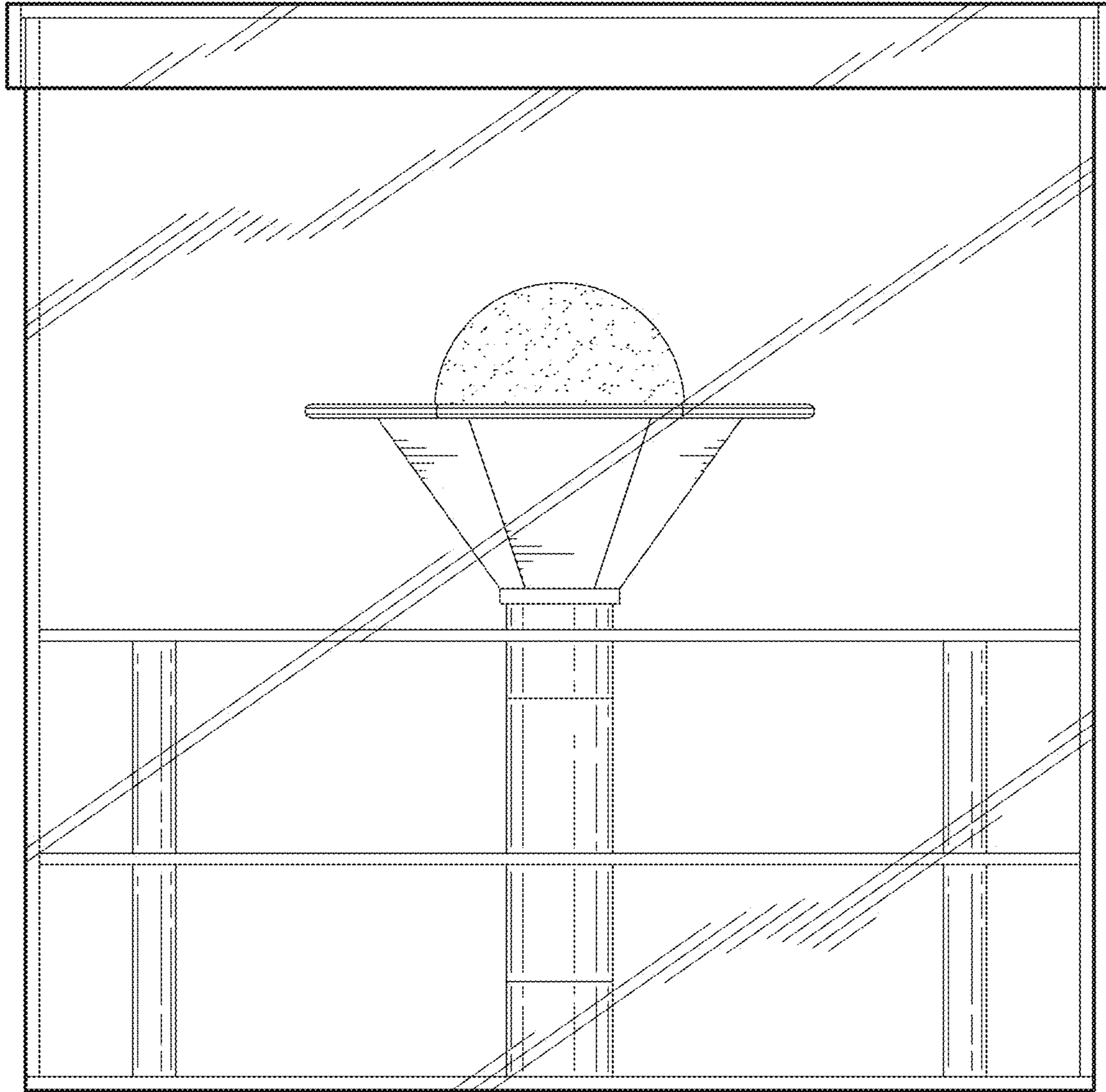


FIG. 3

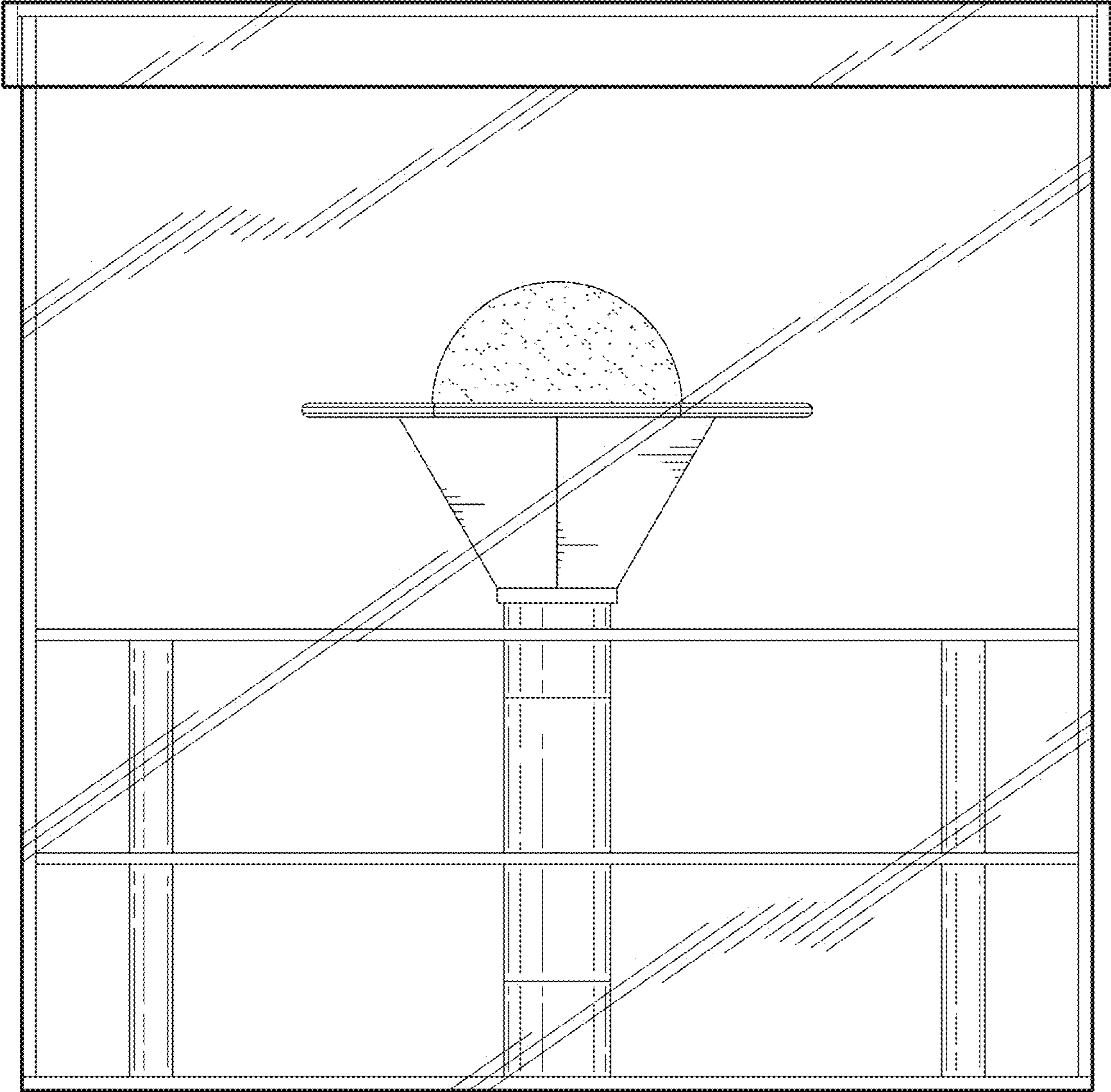


FIG. 4

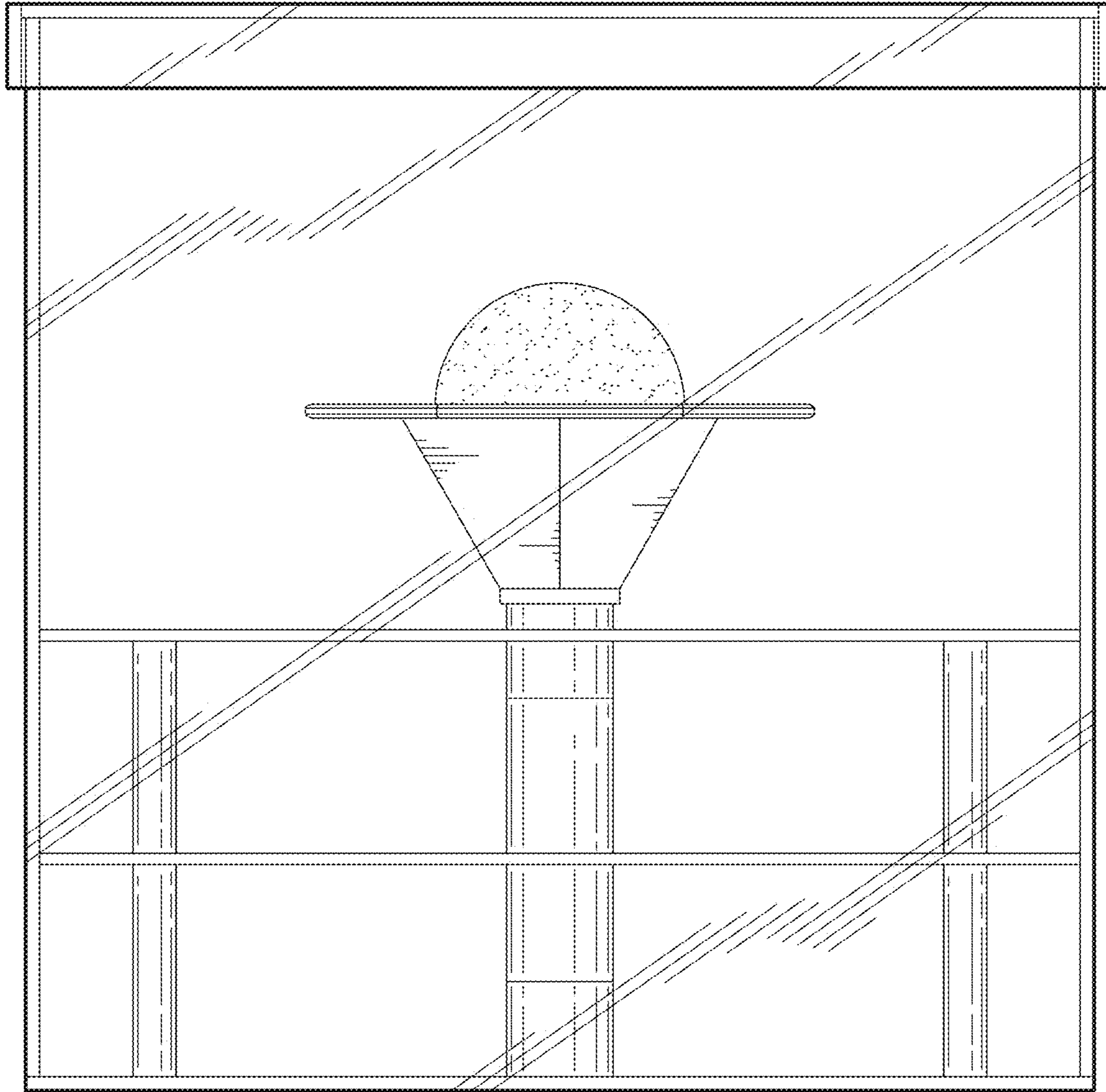


FIG. 5

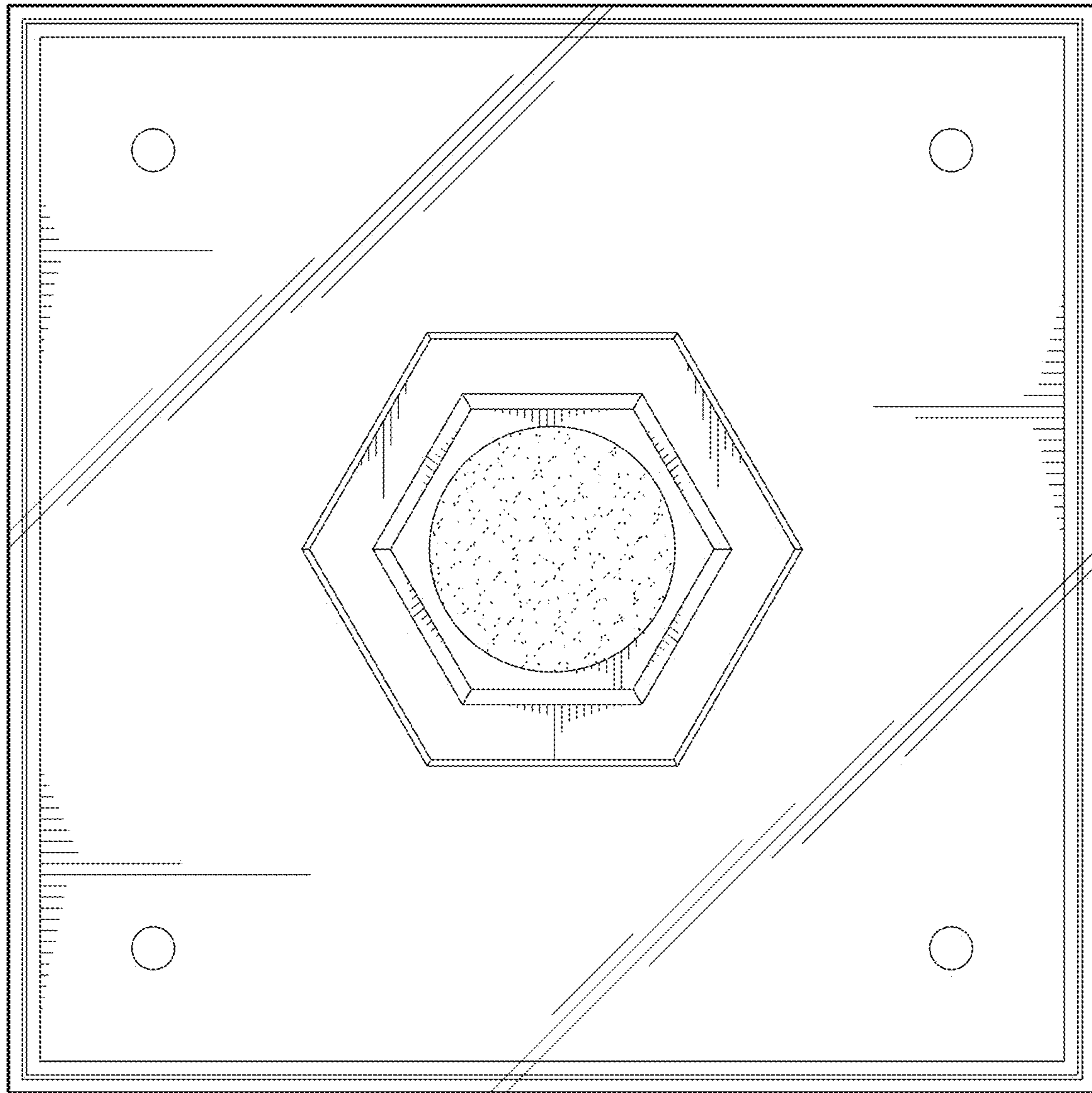


FIG. 6

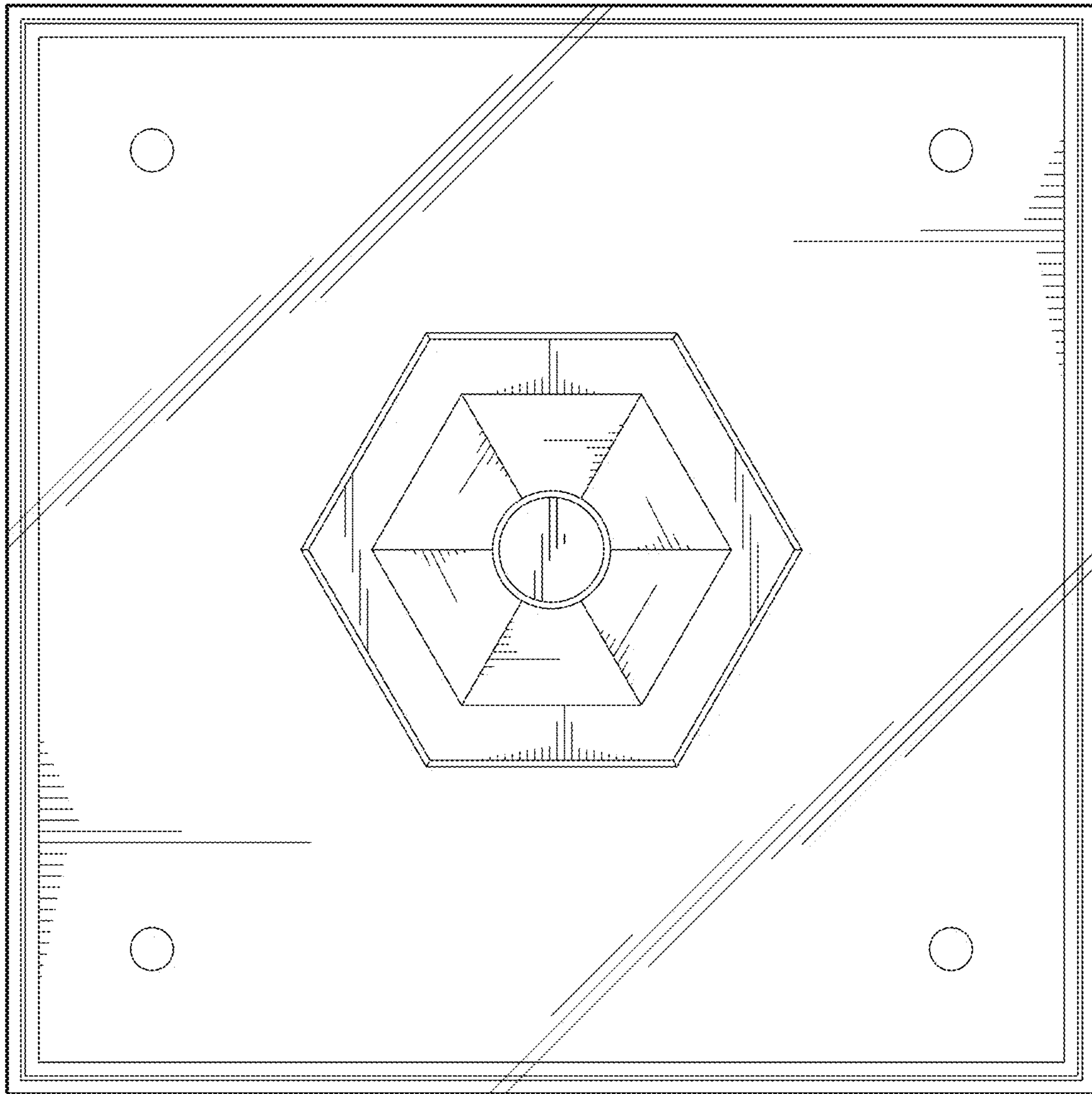


FIG. 7

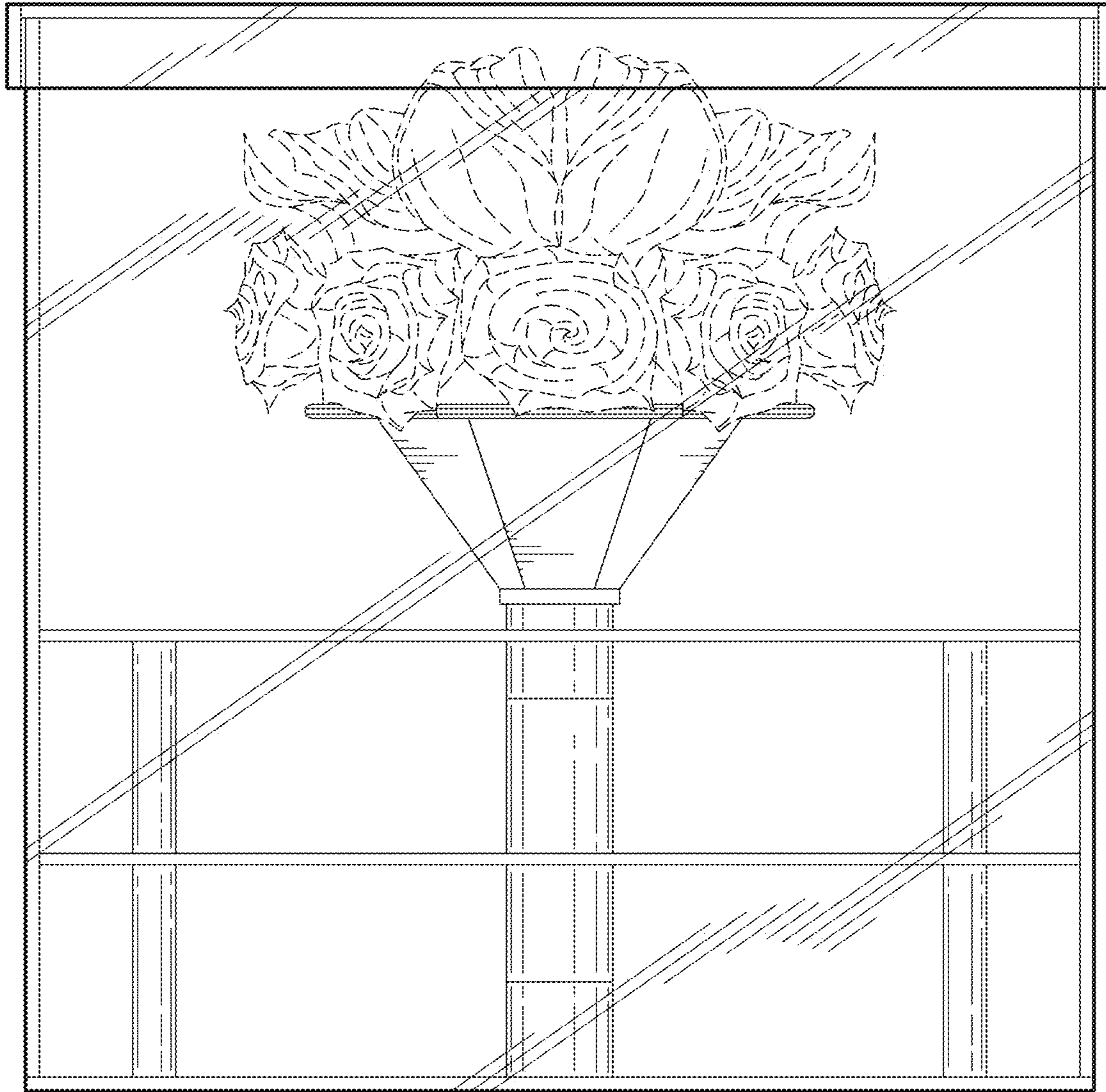


FIG. 8

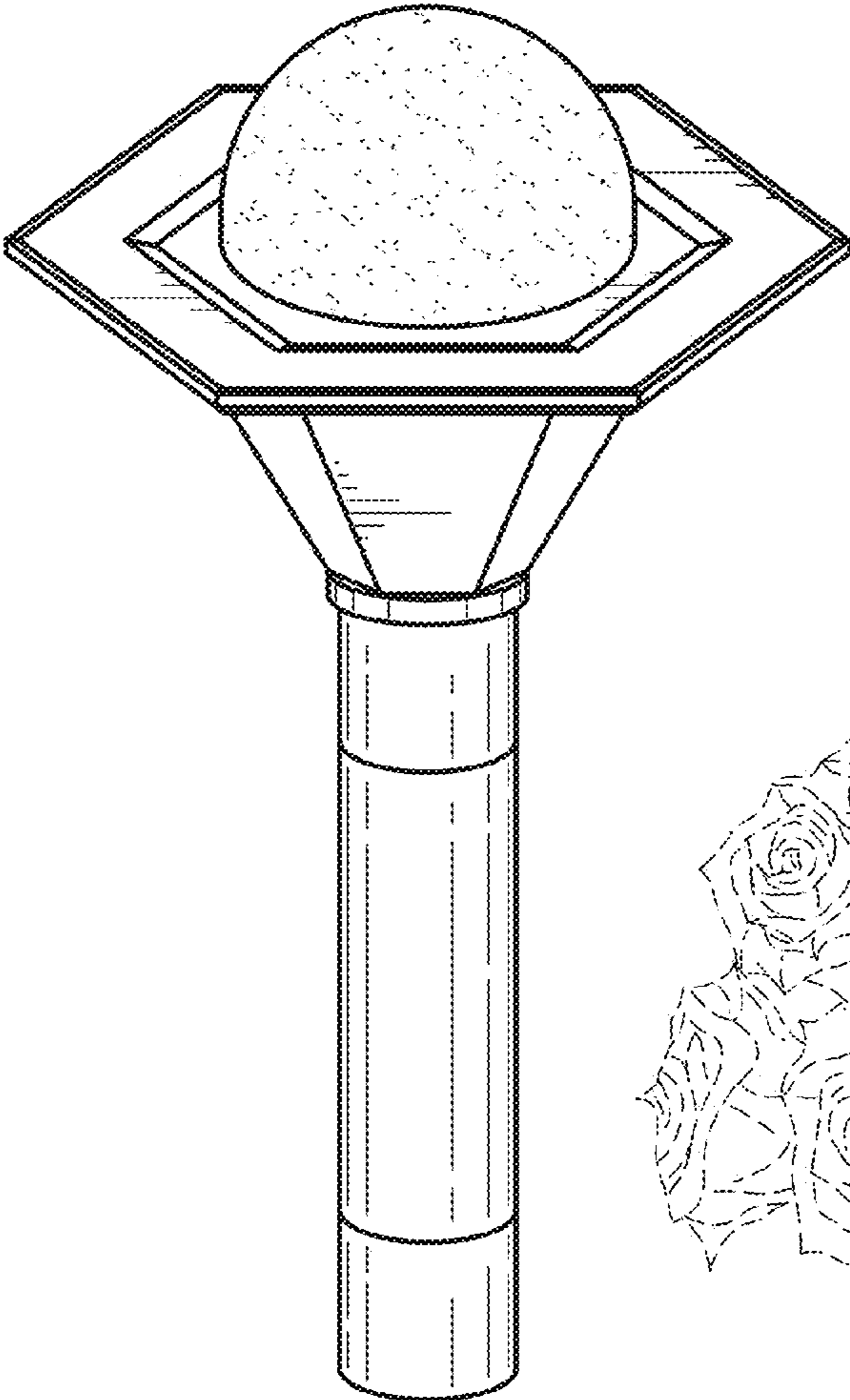


FIG. 9

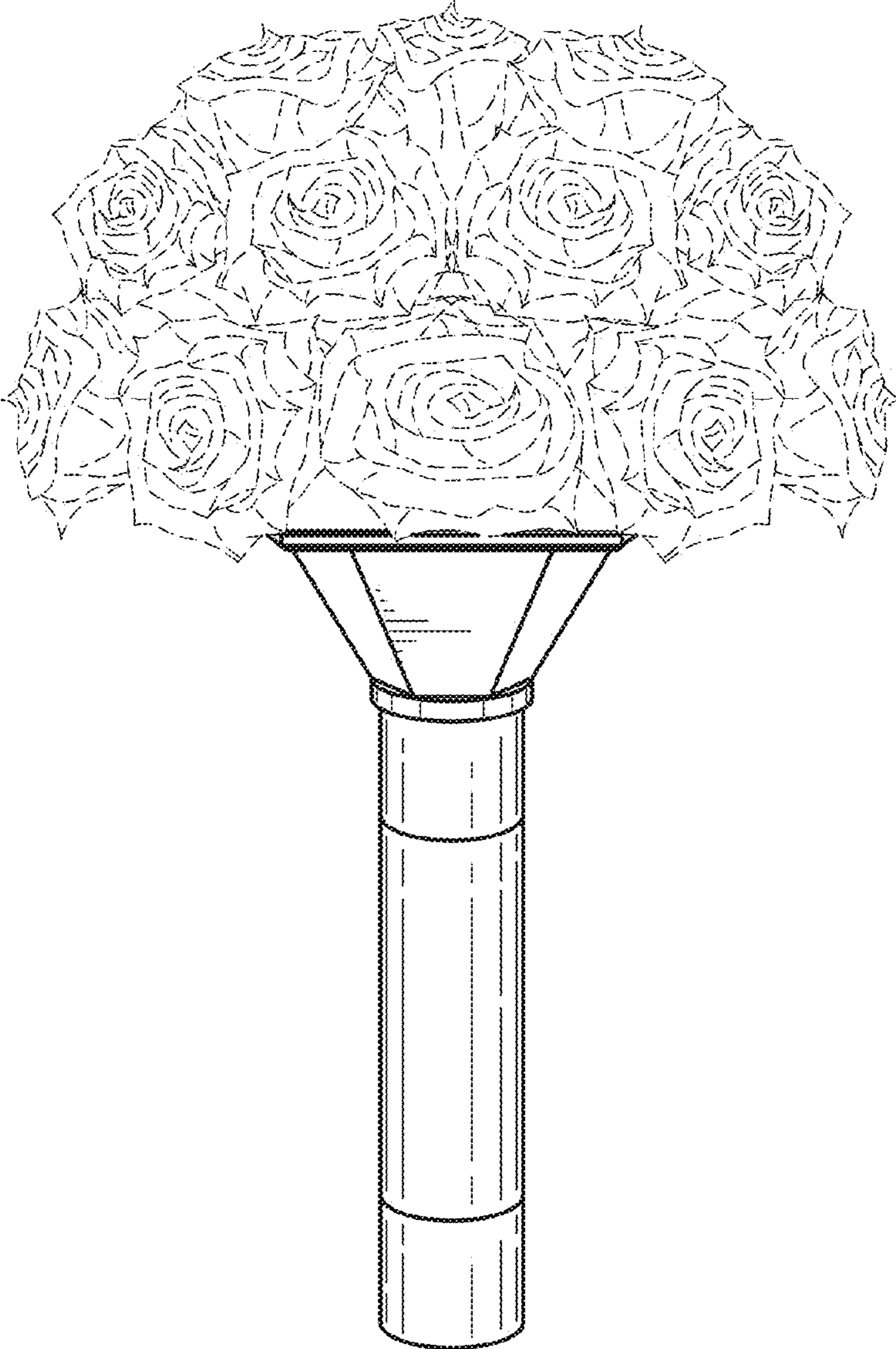


FIG. 10