



US00D913840S

(12) **United States Design Patent**
Lachapelle et al.

(10) **Patent No.:** **US D913,840 S**

(45) **Date of Patent:** **** Mar. 23, 2021**

(54) **FASTENER FOR BRACELET**

(71) Applicants: **Patrick Bernhard Albert Lachapelle**,
Hasselt (BE); **Cynthia Buschman**,
Hasselt (BE)

8,562,346 B2 * 10/2013 Collins A61C 8/0022
433/173
8,562,348 B2 * 10/2013 Collins A61C 8/0006
433/174
8,602,782 B2 * 12/2013 Lomicka A61C 8/0022
433/174

(72) Inventors: **Patrick Bernhard Albert Lachapelle**,
Hasselt (BE); **Cynthia Buschman**,
Hasselt (BE)

(Continued)
Primary Examiner — Zenia I Bennett
(74) *Attorney, Agent, or Firm* — Fresh IP PLC; Clifford
D. Hyra; Aubrey Y. Chen

(**) Term: **15 Years**

(57) **CLAIM**
The ornamental design for a fastener for a bracelet, as shown
and described.

(21) Appl. No.: **29/663,287**

DESCRIPTION

(22) Filed: **Sep. 13, 2018**

(51) **LOC (13) Cl.** **11-01**

(52) **U.S. Cl.**
USPC **D11/87**

(58) **Field of Classification Search**
USPC D11/1, 2, 86, 87, 222; D8/312, 386, 387
CPC A44C 5/208; A44C 7/00; A44C 7/001;
A44C 7/003; A44C 15/00; A44C
15/0035; A44C 15/0045; A61C 8/00;
A61C 8/0066; A61C 8/0068
See application file for complete search history.

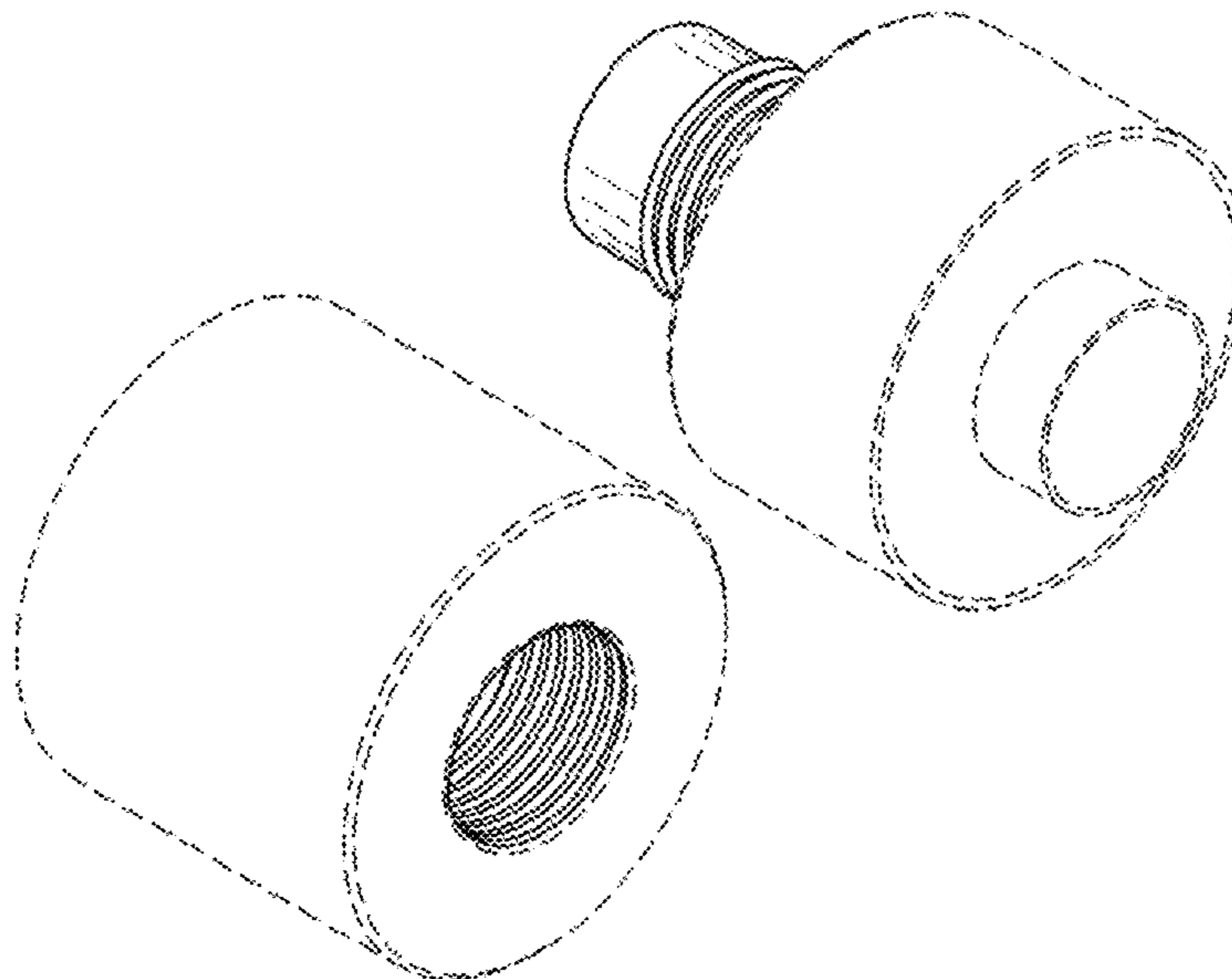
FIG. 1 is a front, right, top perspective view of a fastener for
a bracelet disassembled into an inner piece and an outer
piece, showing the new design;
FIG. 2 is a rear, left, top perspective view thereof;
FIG. 3 is a left, bottom perspective view thereof;
FIG. 4 is a bottom, right perspective view thereof;
FIG. 5 is a front view of the fastener for a bracelet of FIG.
1 in a first alternative orientation;
FIG. 6 is a front, right perspective view thereof;
FIG. 7 is a bottom, right perspective view of the fastener for
a bracelet of FIG. 1 in a second alternative orientation;
FIG. 8 is a right, bottom, perspective view thereof;
FIG. 9 is a front, left, top perspective view of the fastener for
a bracelet of FIG. 1 in a third alternative orientation;
FIG. 10 is a front, right, top perspective view thereof;
FIG. 11 is a front, right, top perspective view thereof,
showing the fastener for a bracelet mounted on a bracelet;
FIG. 12 is a front, right, top perspective view thereof,
showing the fastener for a bracelet mounted on a bracelet
and partially assembled; and,
FIG. 13 is a front, right, top perspective view thereof,
showing the fastener for a bracelet mounted on a bracelet
and fully assembled.
The broken lines indicate portions that form no part of the
claimed design.

(56) **References Cited**

U.S. PATENT DOCUMENTS

4,195,492 A * 4/1980 Johnson A44C 7/002
63/11
D256,553 S * 8/1980 Fayle D8/387
6,012,923 A * 1/2000 Bassett A61C 8/005
433/172
D477,879 S * 7/2003 Whitehead D24/156
D602,161 S * 10/2009 Yazdi D24/156
7,708,559 B2 * 5/2010 Wohrle A61C 8/0077
433/174
8,057,230 B1 * 11/2011 Folsom, Jr. A61C 8/0012
433/174

1 Claim, 13 Drawing Sheets



(56)

References Cited

U.S. PATENT DOCUMENTS

8,668,495 B2 * 3/2014 Sanchez A61C 8/0013
433/173
8,899,982 B2 * 12/2014 Damstra A61C 8/0018
433/174
9,364,299 B2 * 6/2016 Marlin A61C 8/009
10,548,692 B2 * 2/2020 Baruc A61C 8/0056

* cited by examiner

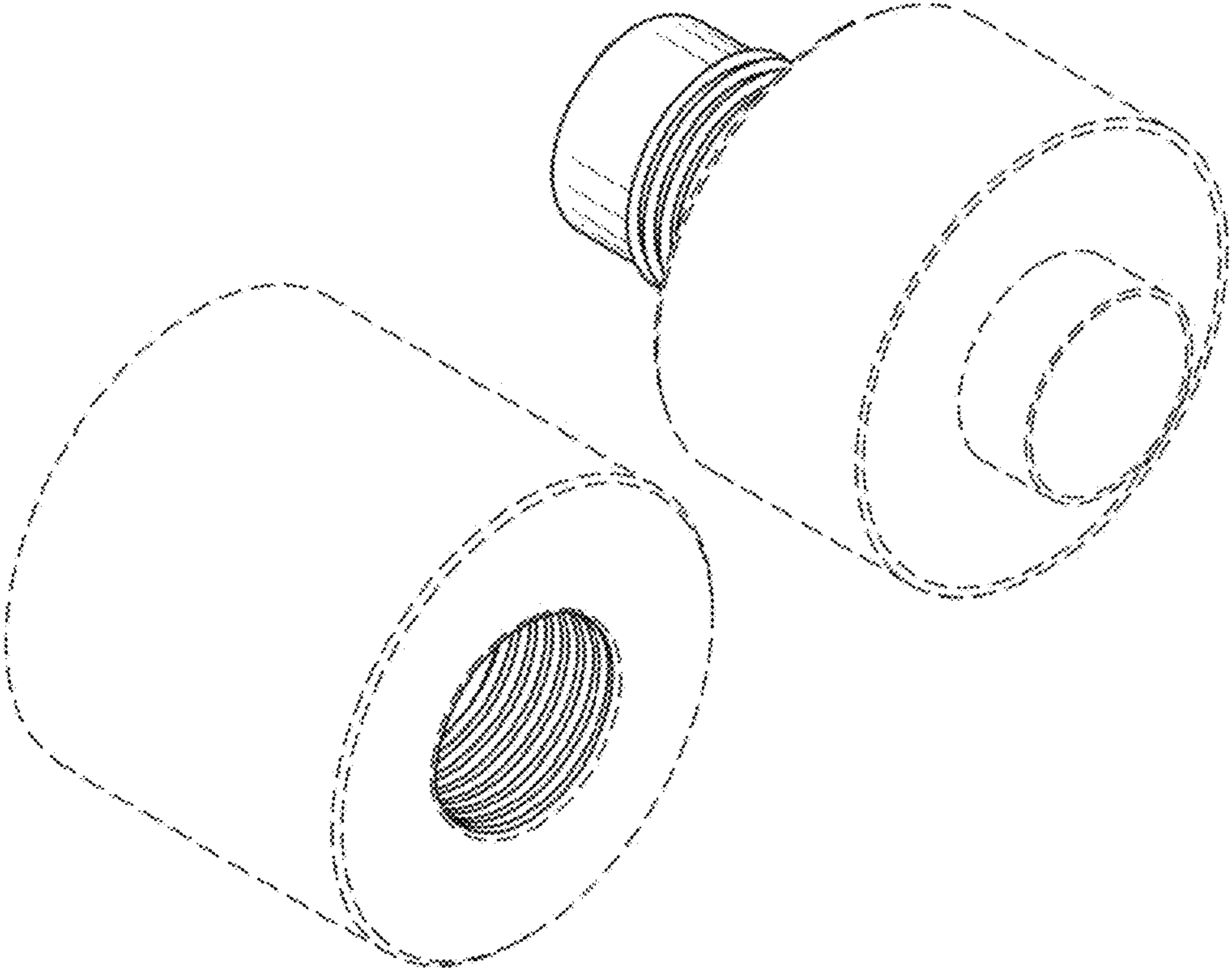


FIG. 1

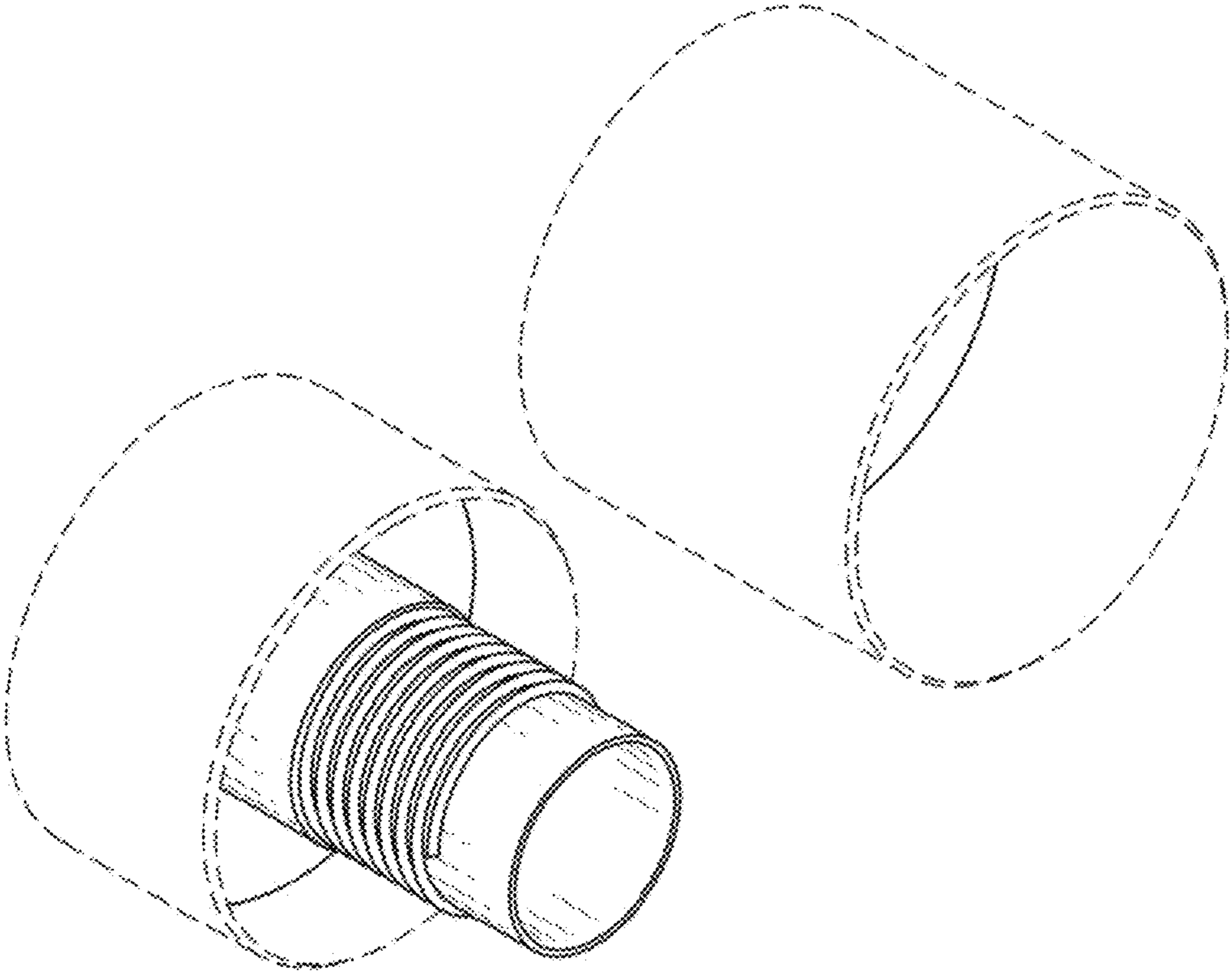


FIG. 2

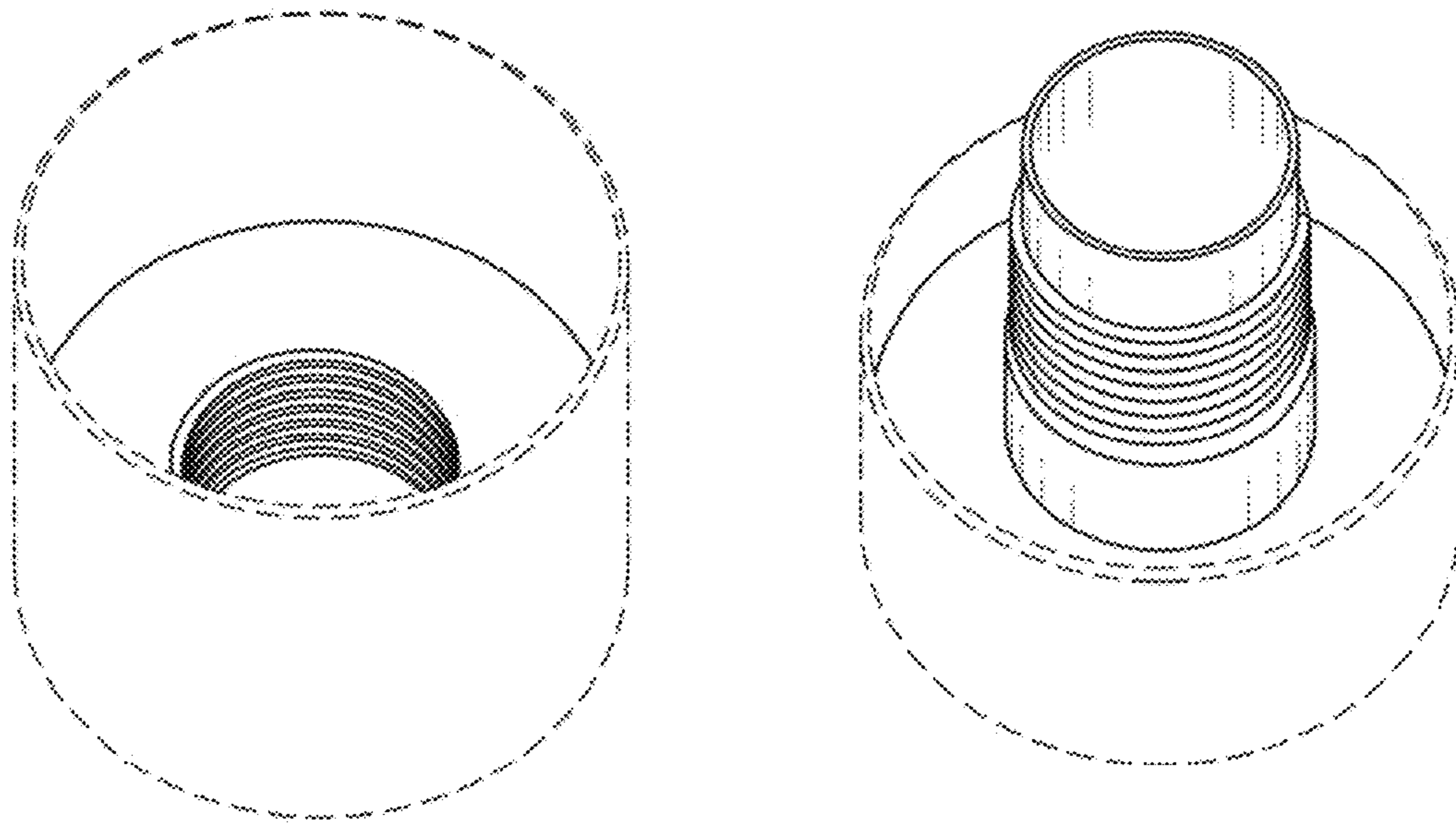


FIG. 3

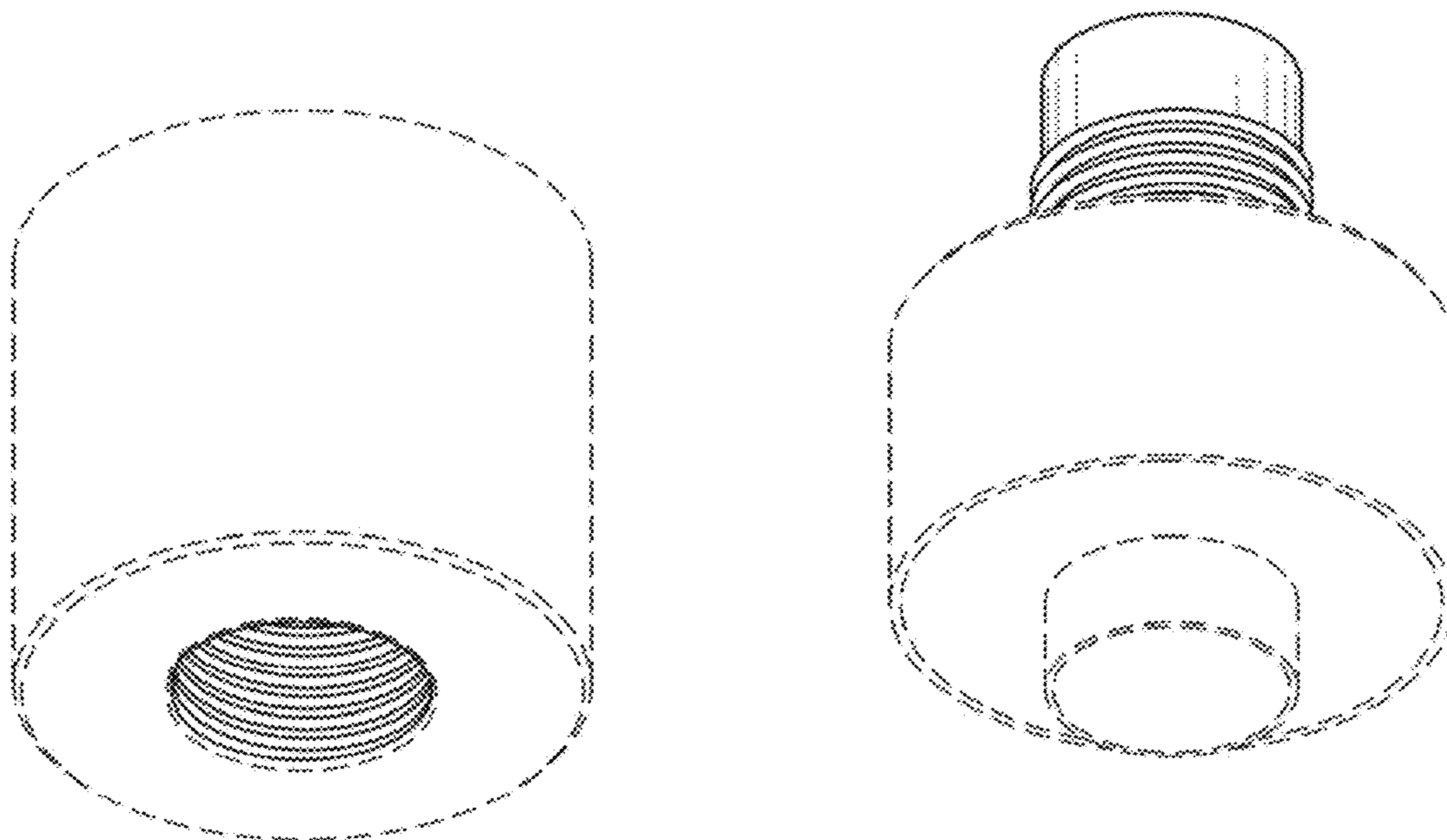


FIG. 4

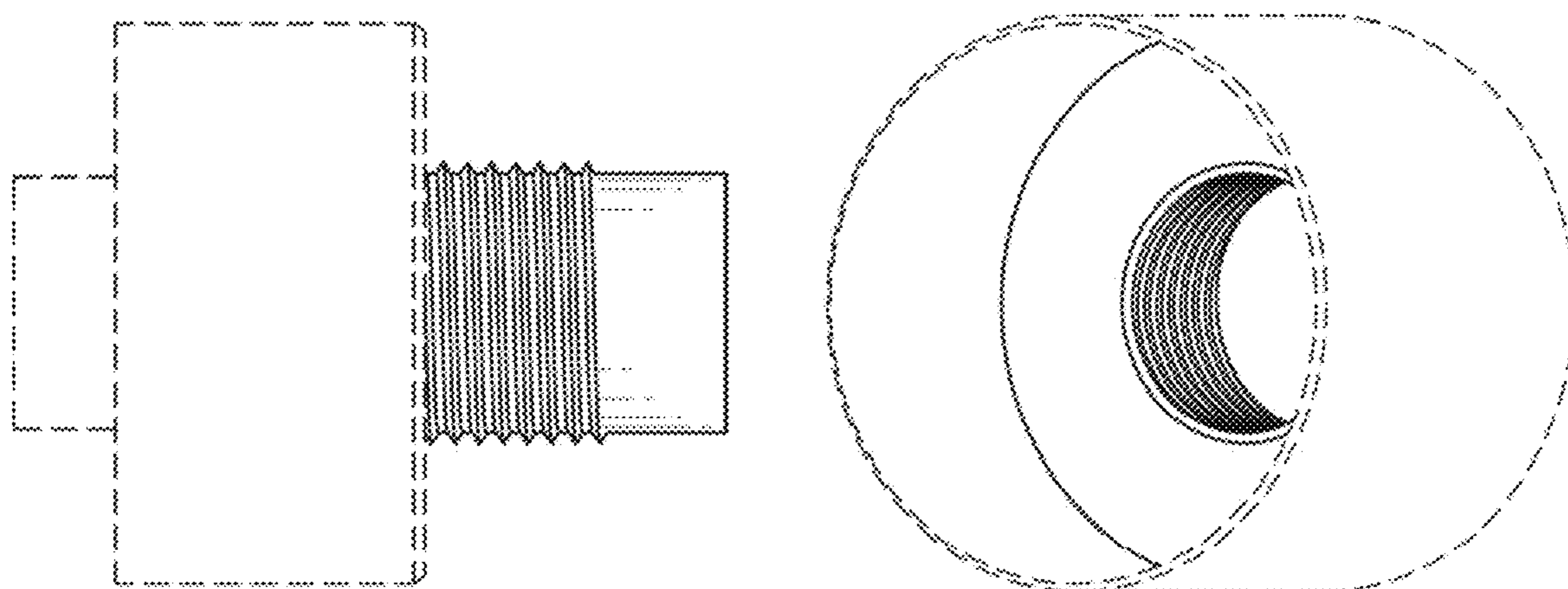


FIG. 5

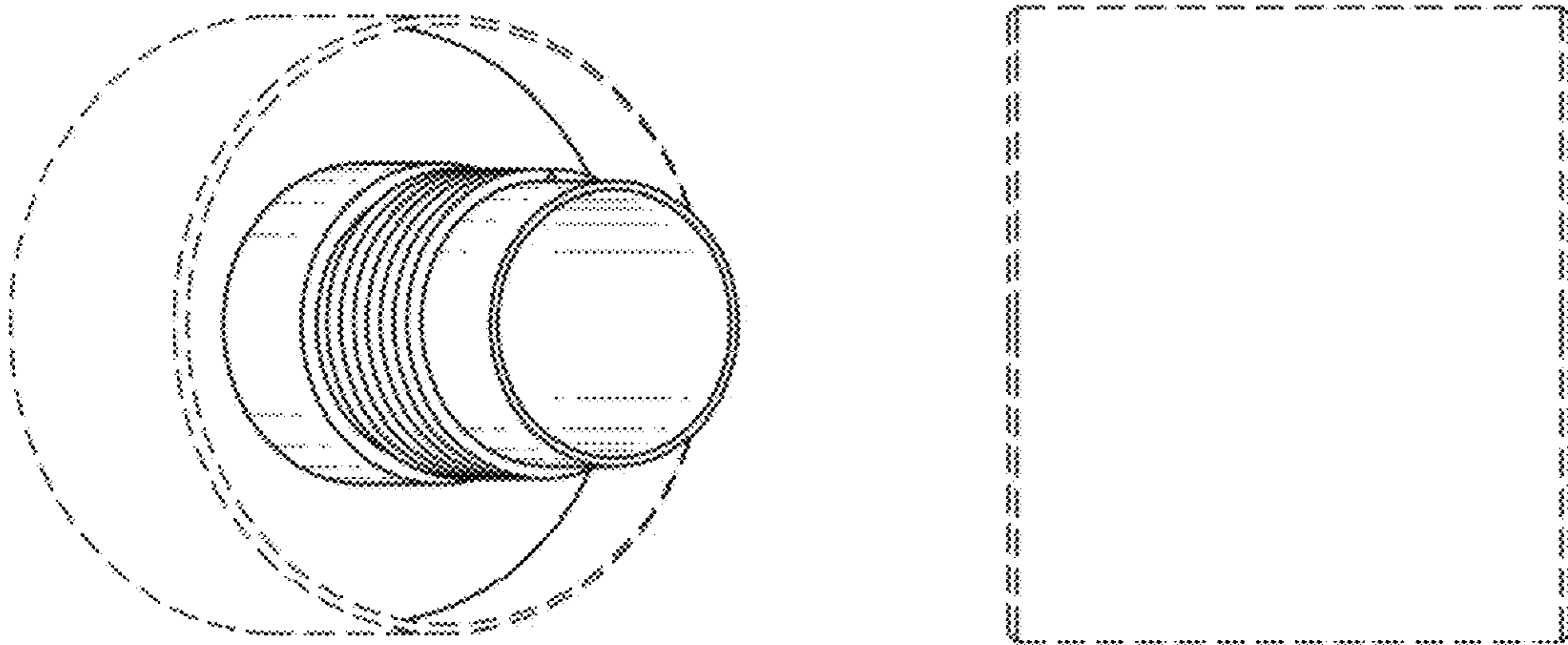


FIG. 6

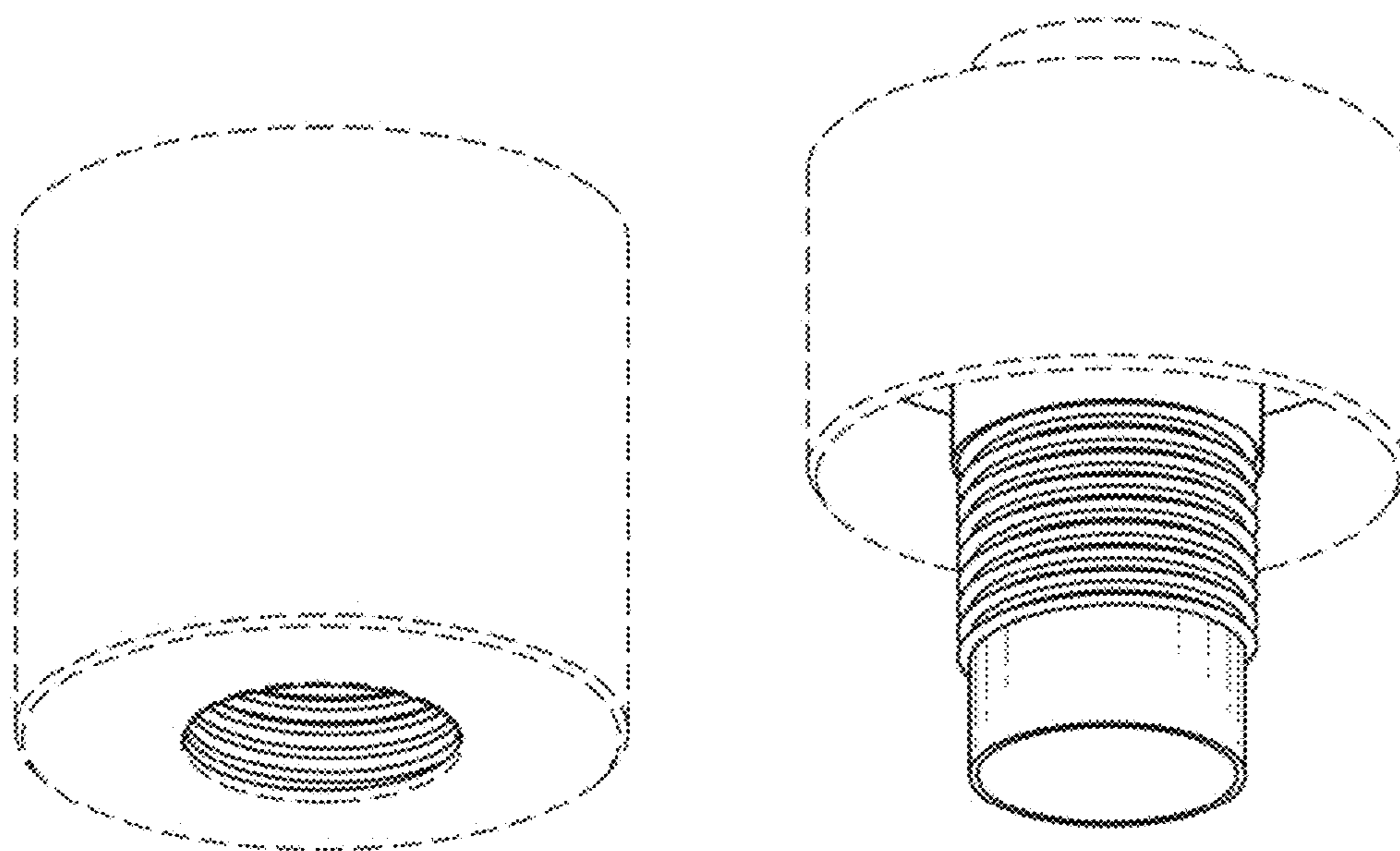


FIG. 7

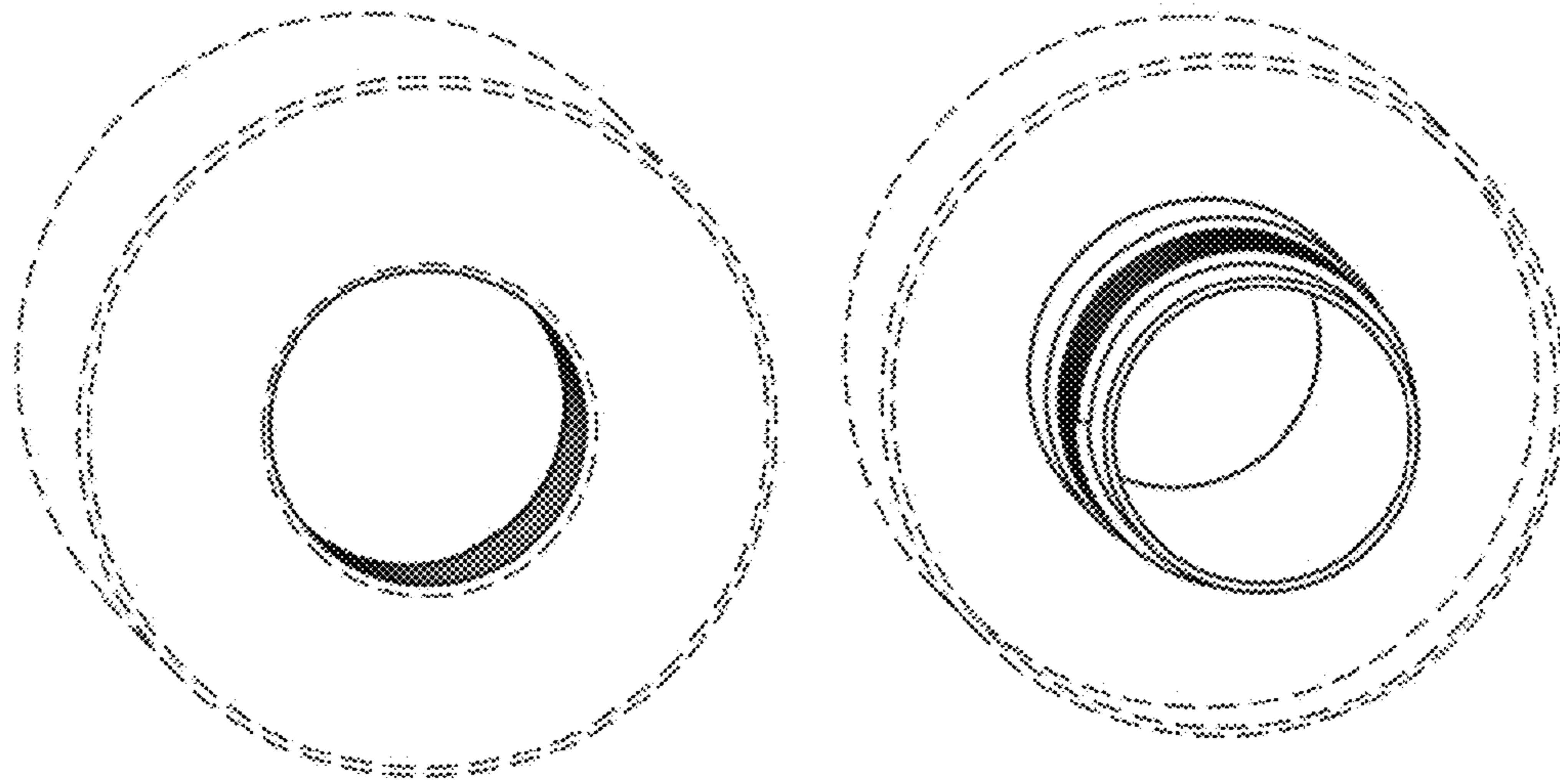


FIG. 8

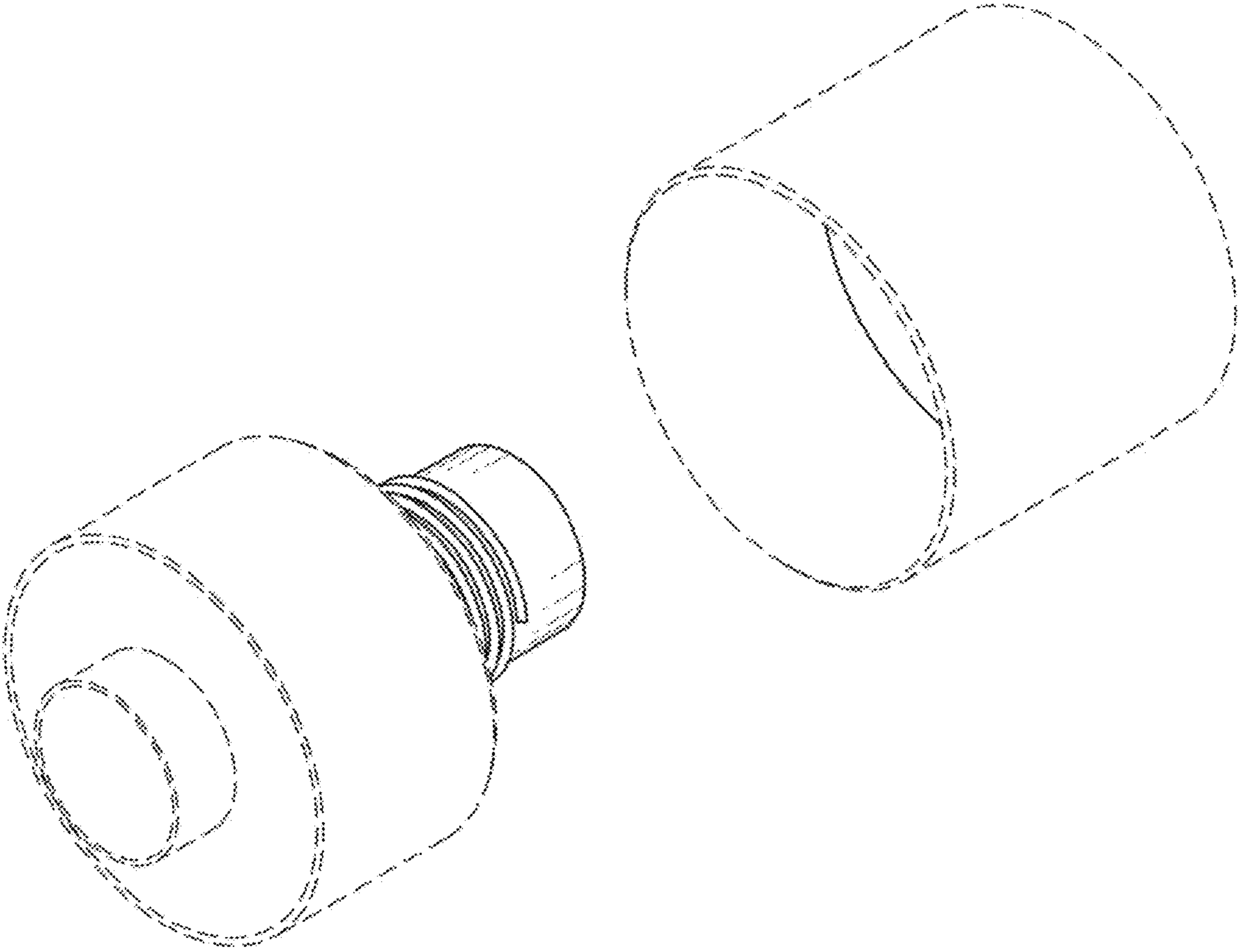


FIG. 9

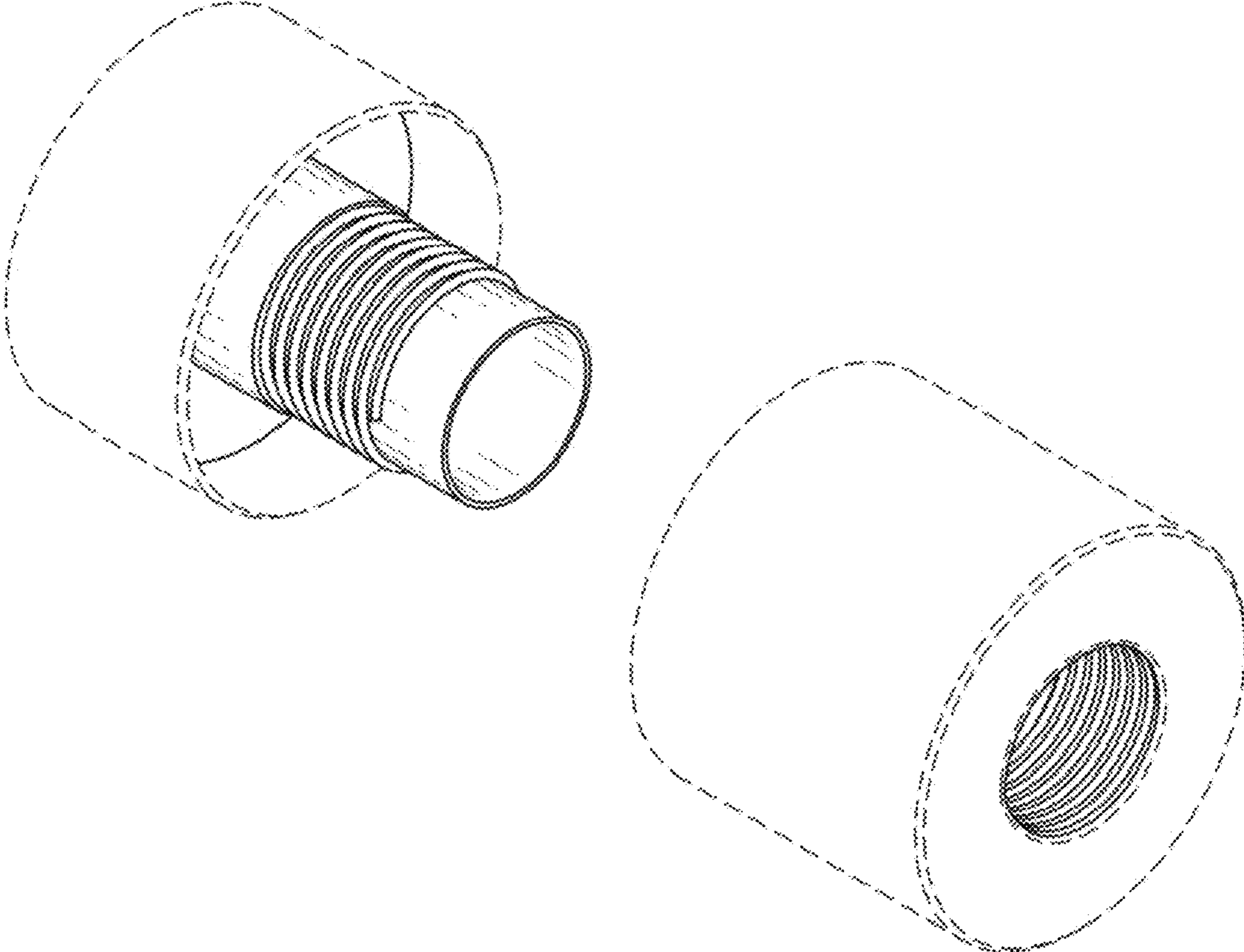


FIG. 10

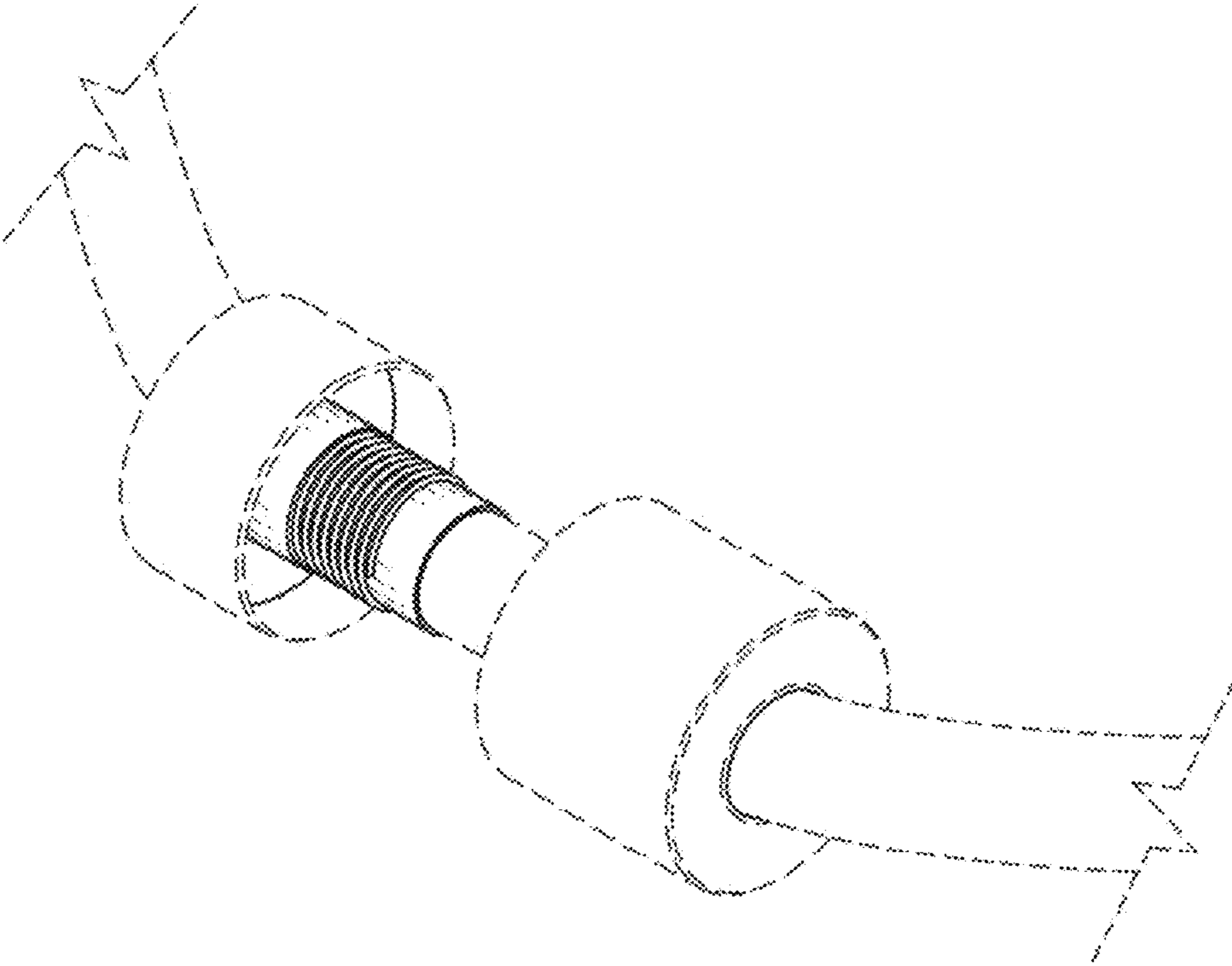


FIG. 11

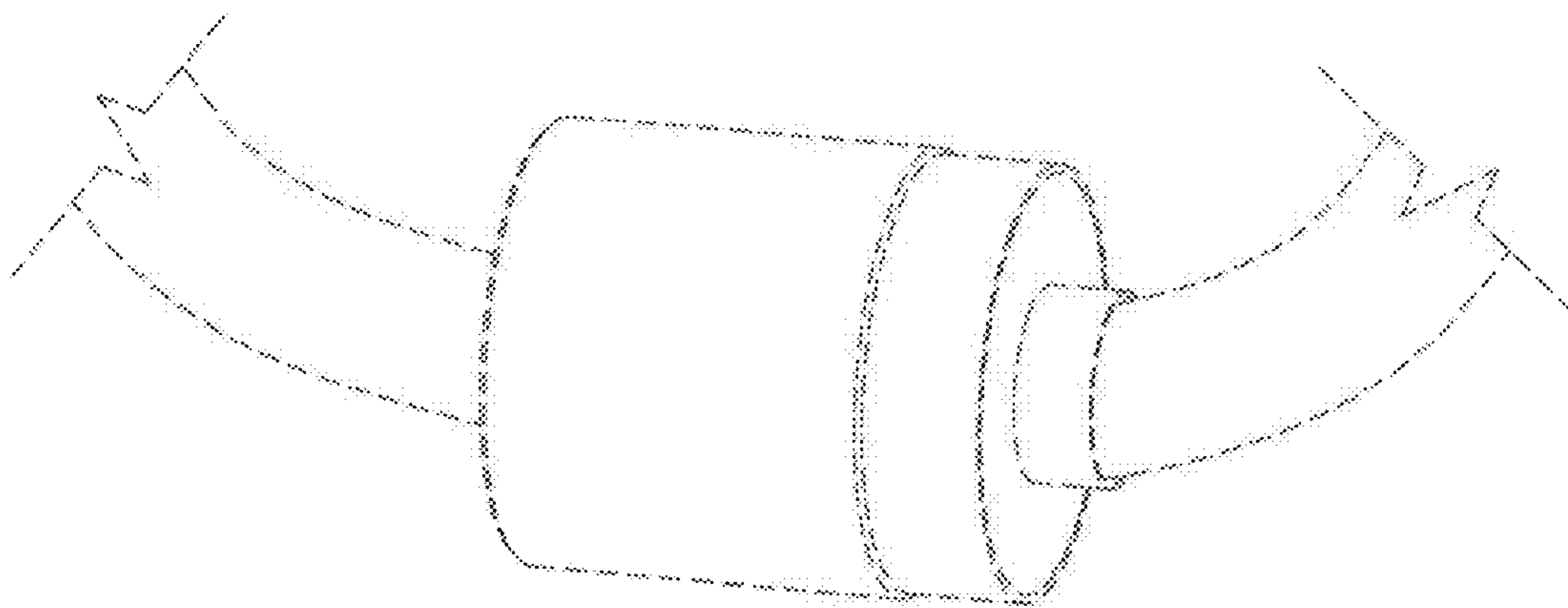


FIG. 12

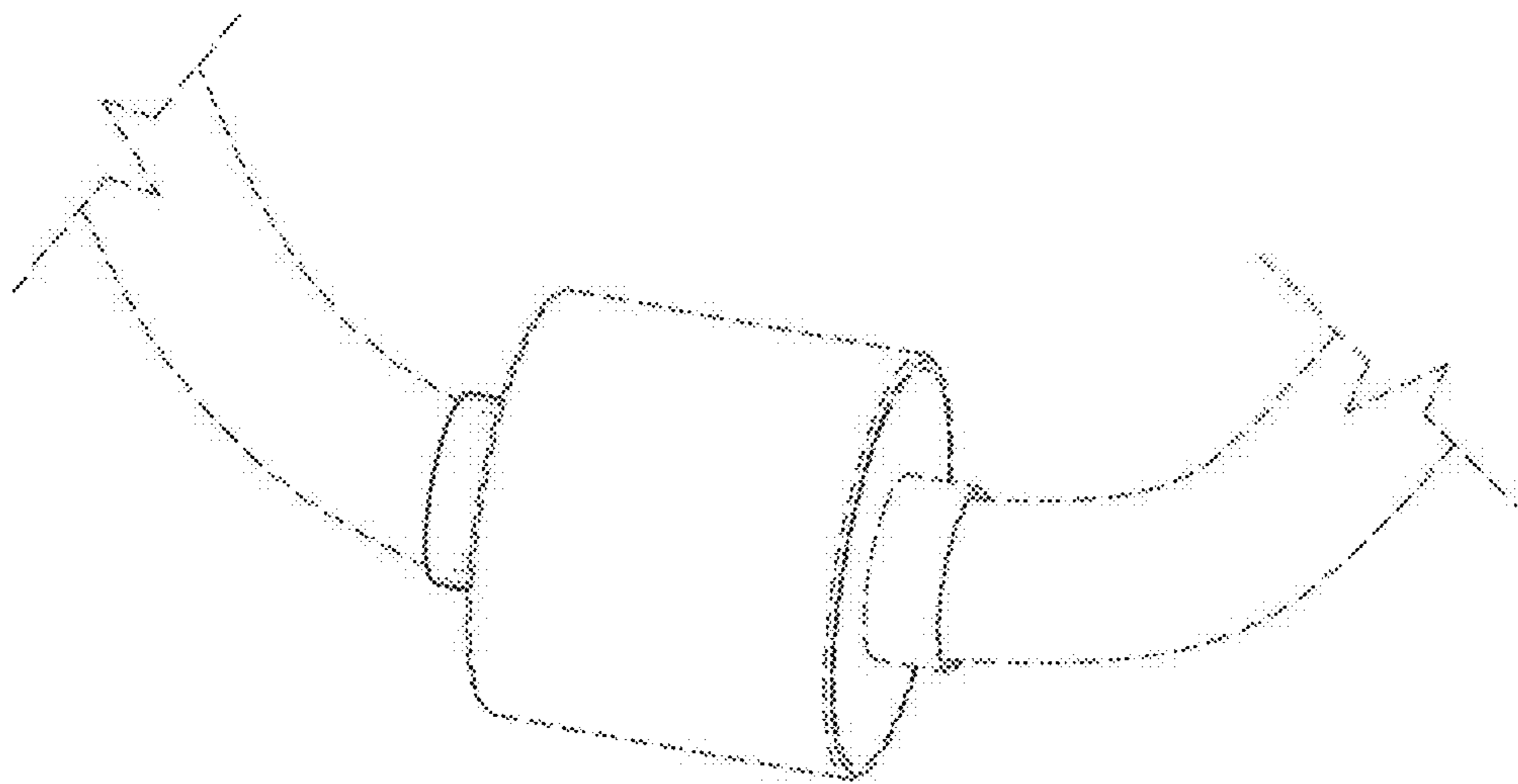


FIG. 13