



US00D913839S

(12) **United States Design Patent** (10) **Patent No.:** **US D913,839 S**
Green et al. (45) **Date of Patent:** **** Mar. 23, 2021**

(54) **INTERCHANGEABLE JEWELRY BASE** 3,831,398 A 8/1974 Davis
3,905,525 A 9/1975 Kawamata
(71) Applicant: **Style Dots LLC**, Rockford, MI (US) 4,959,890 A 10/1990 Pazurek
5,048,311 A 9/1991 Mastrobuono
(72) Inventors: **Karen L. Green**, West Sacramento, CA D326,827 S 6/1992 Peterson
(US); **Gina M. Smith**, Nixa, MO (US) 5,357,659 A * 10/1994 Ackermann A41H 37/04
24/114.4
(73) Assignee: **STYLE DOTS LLC**, Rockford, MI D363,042 S 10/1995 Papernik et al.
(US) 5,505,061 A 4/1996 Fleury et al.
5,709,327 A 1/1998 Lamacchia et al.
(Continued)

(**) Term: **15 Years**
(21) Appl. No.: **29/718,199**
(22) Filed: **Dec. 20, 2019**

FOREIGN PATENT DOCUMENTS

WO 03/79841 A1 10/2003

OTHER PUBLICATIONS

Final Office Action received for U.S. Appl. No. 15/745,676, dated Aug. 14, 2020, 6 pages.

(Continued)

Primary Examiner — Zenia I Bennett
(74) *Attorney, Agent, or Firm* — Workman Nydegger

(57) **CLAIM**

The ornamental design for an interchangeable jewelry base, as shown and described.

DESCRIPTION

FIG. 1 is a top, left front perspective view of our new design for an interchangeable jewelry base;
FIG. 2 is a right side elevational view thereof;
FIG. 3 is a left side elevational view thereof;
FIG. 4 is a top plan view thereof;
FIG. 5 is a bottom plan view thereof;
FIG. 6 is a front elevational view thereof; and,
FIG. 7 is a rear elevational view thereof.

The broken lines are included for the purpose of showing environmental portions of the interchangeable jewelry key and form no part of the claimed design.

1 Claim, 4 Drawing Sheets

Related U.S. Application Data

(63) Continuation of application No. 15/745,676, filed as application No. PCT/US2017/064945 on Dec. 6, 2017, which is a continuation of application No. 15/932,446, filed on Dec. 6, 2016, now abandoned.

(51) **LOC (13) Cl.** **11-01**

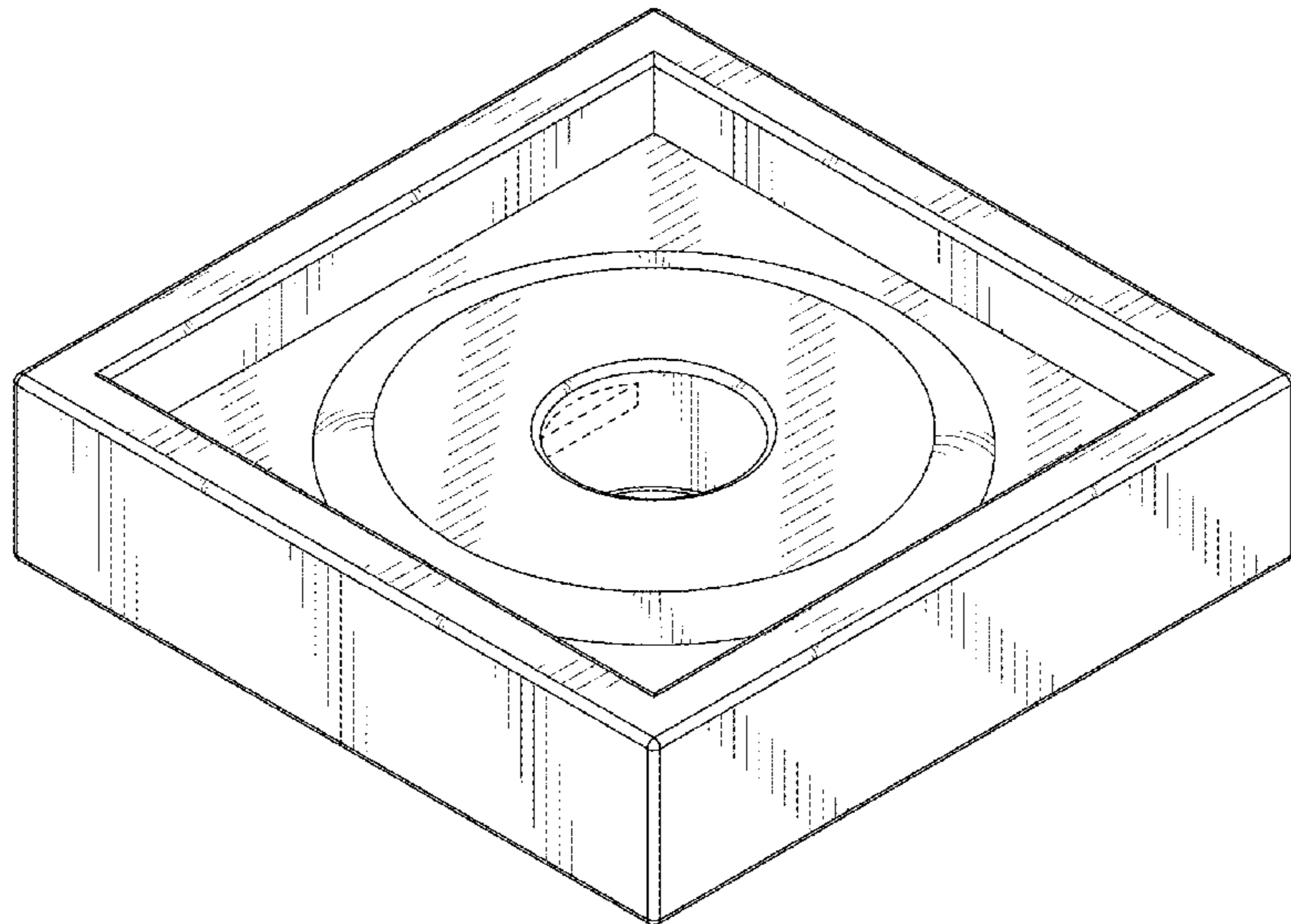
(52) **U.S. Cl.**
USPC **D11/86**

(58) **Field of Classification Search**
USPC D11/1-25.43, 86, 87, 220
CPC .. A44C 1/00; A44C 7/00; A44C 7/002; A44C 7/003; A44B 7/00; A44B 7/0005; A44B 7/0017; A44B 7/0023; A44B 7/0029; A44B 7/0035; A44B 7/0041; A44B 7/0058; A44B 7/0064
See application file for complete search history.

(56) **References Cited**

U.S. PATENT DOCUMENTS

697,120 A 4/1902 Wade
901,333 A 10/1908 Fitzgerald
1,052,141 A 2/1913 Gaschke
1,448,465 A 3/1923 Sherman
D123,719 S 11/1940 Ungar
D174,242 S 3/1955 Warwick et al.



(56)

References Cited

U.S. PATENT DOCUMENTS

5,794,459 A 8/1998 Ignatowski
 6,544,164 B1 4/2003 Fan
 D511,473 S 11/2005 Weinacht
 D539,698 S * 4/2007 Choi D11/220
 D551,585 S 9/2007 Wooley et al.
 7,980,095 B1 7/2011 Masterson
 D657,281 S 4/2012 Psaute
 8,429,934 B2 4/2013 Roessler
 8,650,723 B2 * 2/2014 Reiter A44B 17/0011
 24/108
 D713,755 S 9/2014 Thompson
 D714,181 S 9/2014 Thompson
 D723,409 S 3/2015 Theodore et al.
 D728,417 S * 5/2015 Pferdehirt D11/220
 D728,419 S * 5/2015 Pferdehirt D11/220
 D742,787 S * 11/2015 Schoenbeck D11/220
 D794,556 S 8/2017 Liao
 D803,716 S 11/2017 Grainger
 D810,608 S 2/2018 Heller
 D810,609 S 2/2018 Heller
 D838,208 S * 1/2019 Hirabayashi D11/220
 D861,535 S * 10/2019 Venables D11/220
 D867,920 S 11/2019 O'Connell
 D872,606 S 1/2020 Green et al.
 D878,238 S 3/2020 Holmes et al.
 D886,658 S 6/2020 Duncan et al.
 2001/0031443 A1 10/2001 Ferranti
 2002/0073732 A1 6/2002 Masina et al.

2004/0200236 A1 10/2004 Emberson et al.
 2005/0148809 A1 7/2005 Delaney
 2005/0166634 A1 8/2005 Lieberman et al.
 2006/0144083 A1 7/2006 Layton
 2011/0088428 A1 4/2011 Urban et al.
 2012/0131953 A1 5/2012 Fahsel
 2012/0240623 A1 9/2012 Morse
 2012/0324946 A1 12/2012 Latouf
 2013/0160489 A1 6/2013 Arjang et al.
 2013/0263625 A1 10/2013 Taylor-Cattapan
 2015/0020543 A1 1/2015 Kaupp
 2015/0359301 A1 12/2015 Lavorato et al.
 2017/0317705 A1 11/2017 Duneier et al.
 2019/0098970 A1 4/2019 Stein

OTHER PUBLICATIONS

Final Office Action received for U.S. Appl. No. 16/723,906, dated Jul. 7, 2020, 9 pages.
 International Search Report and Written Opinion for application No. PCT/US2017/064945 dated Mar. 16, 2018.
 Non-Final Office Action for U.S. Appl. No. 16/723,906 dated, Feb. 19, 2020.
 Office Action for Canadian Application No. 2,998,583 dated, Jan. 15, 2020.
 Office Action received for Chinese Patent Application No. 201790001596.4, dated Jun. 16, 2020, 2 pages (Original Document only).
 Non-Final Rejection dated Jan. 4, 2021 for U.S. Appl. No. 15/745,676.

* cited by examiner

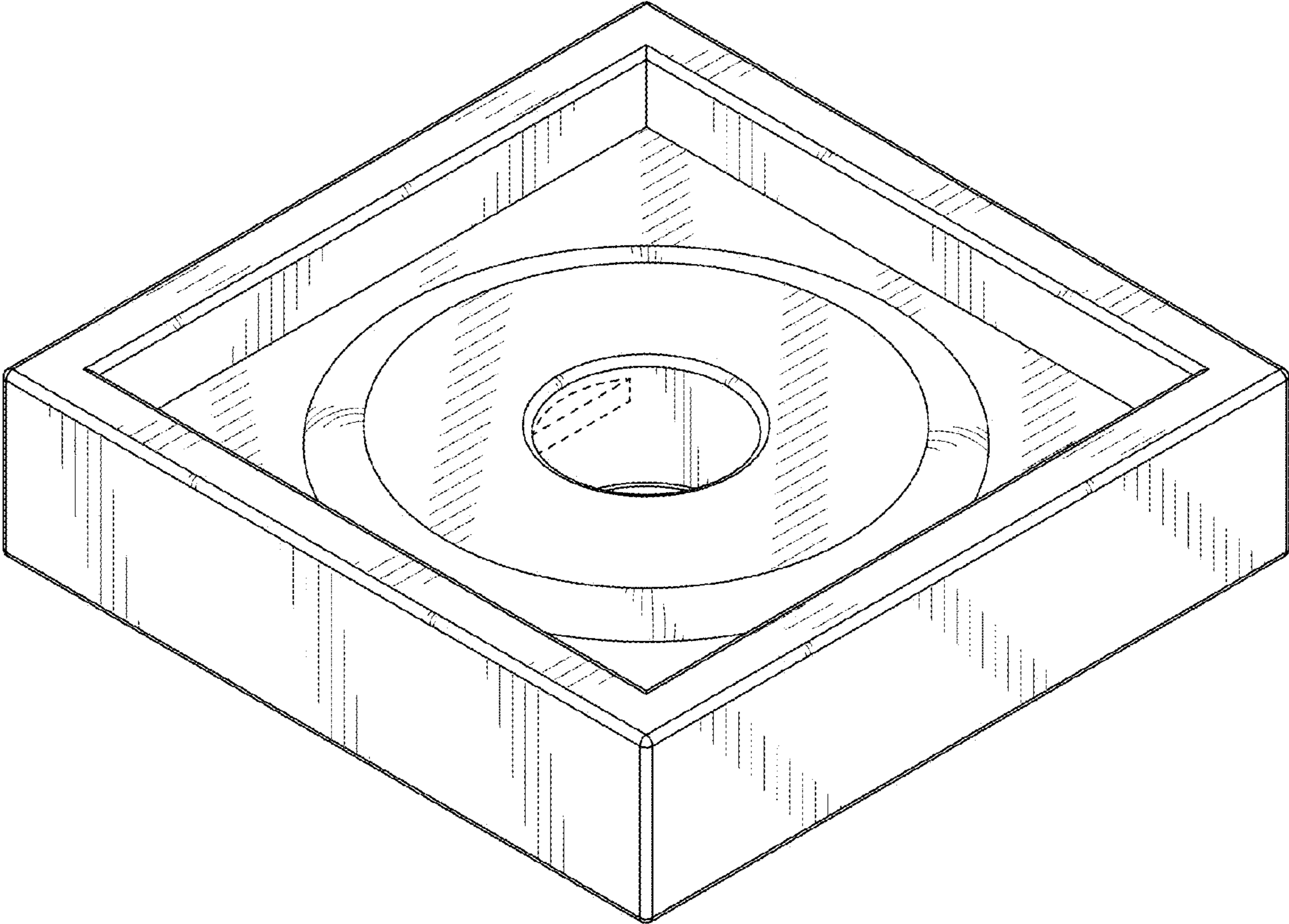


FIG. 1

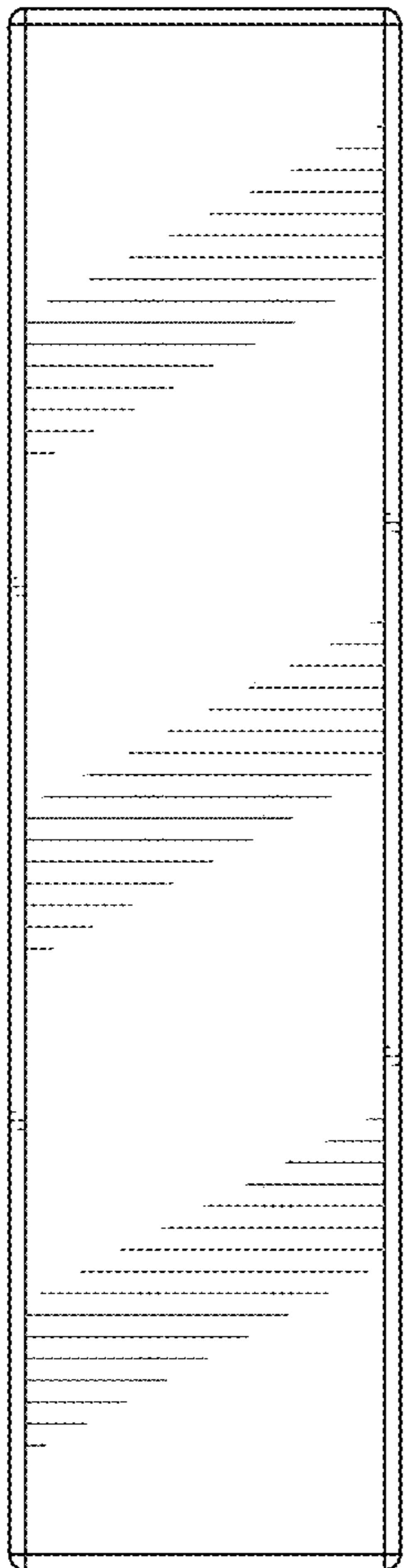


FIG. 2

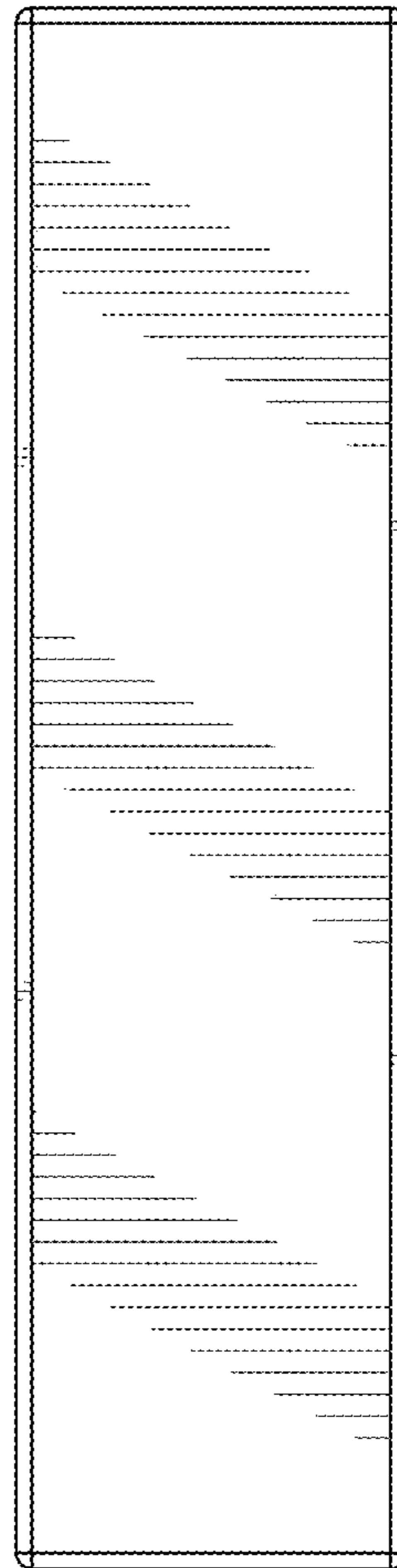


FIG. 3

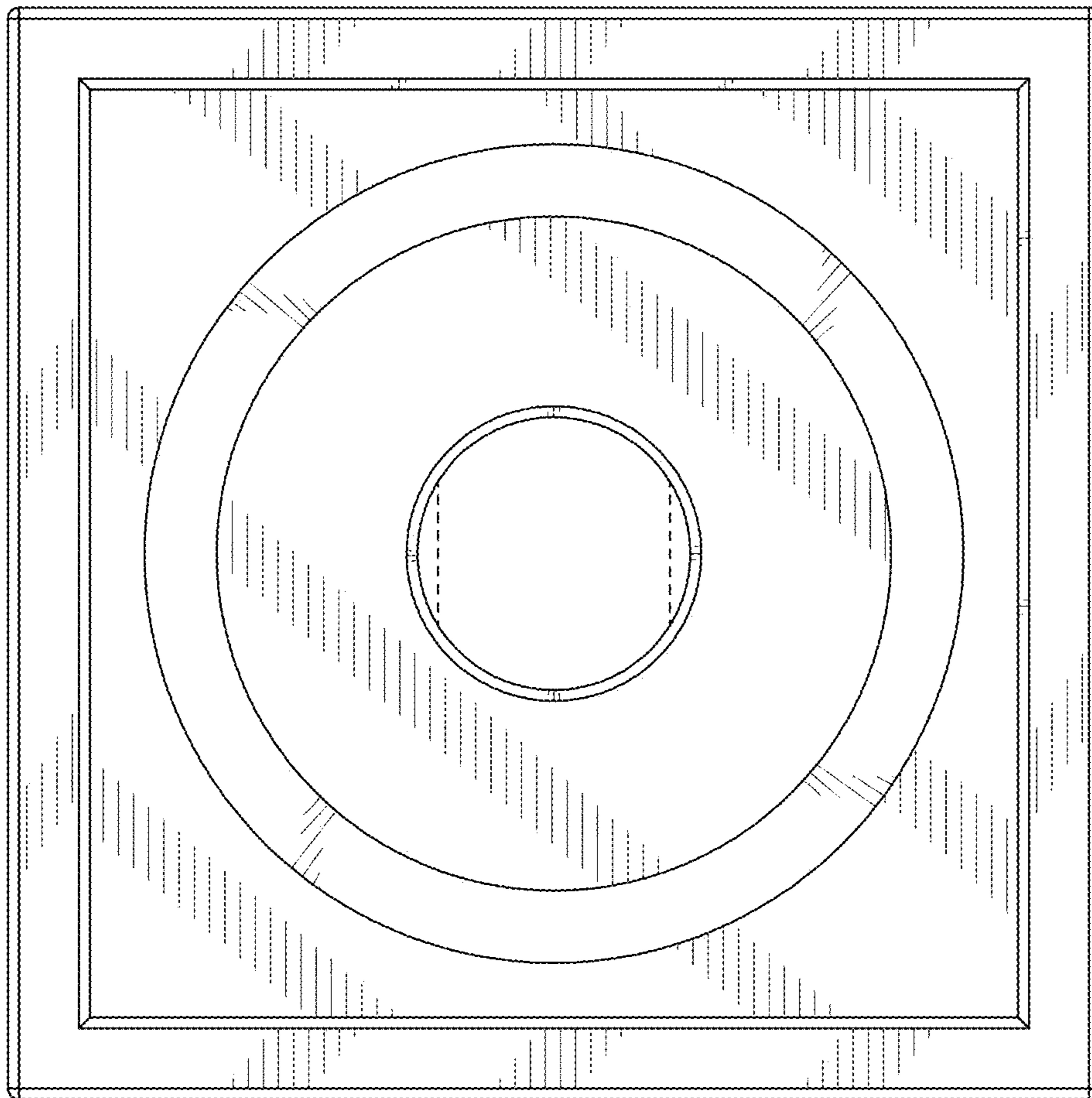


FIG. 4

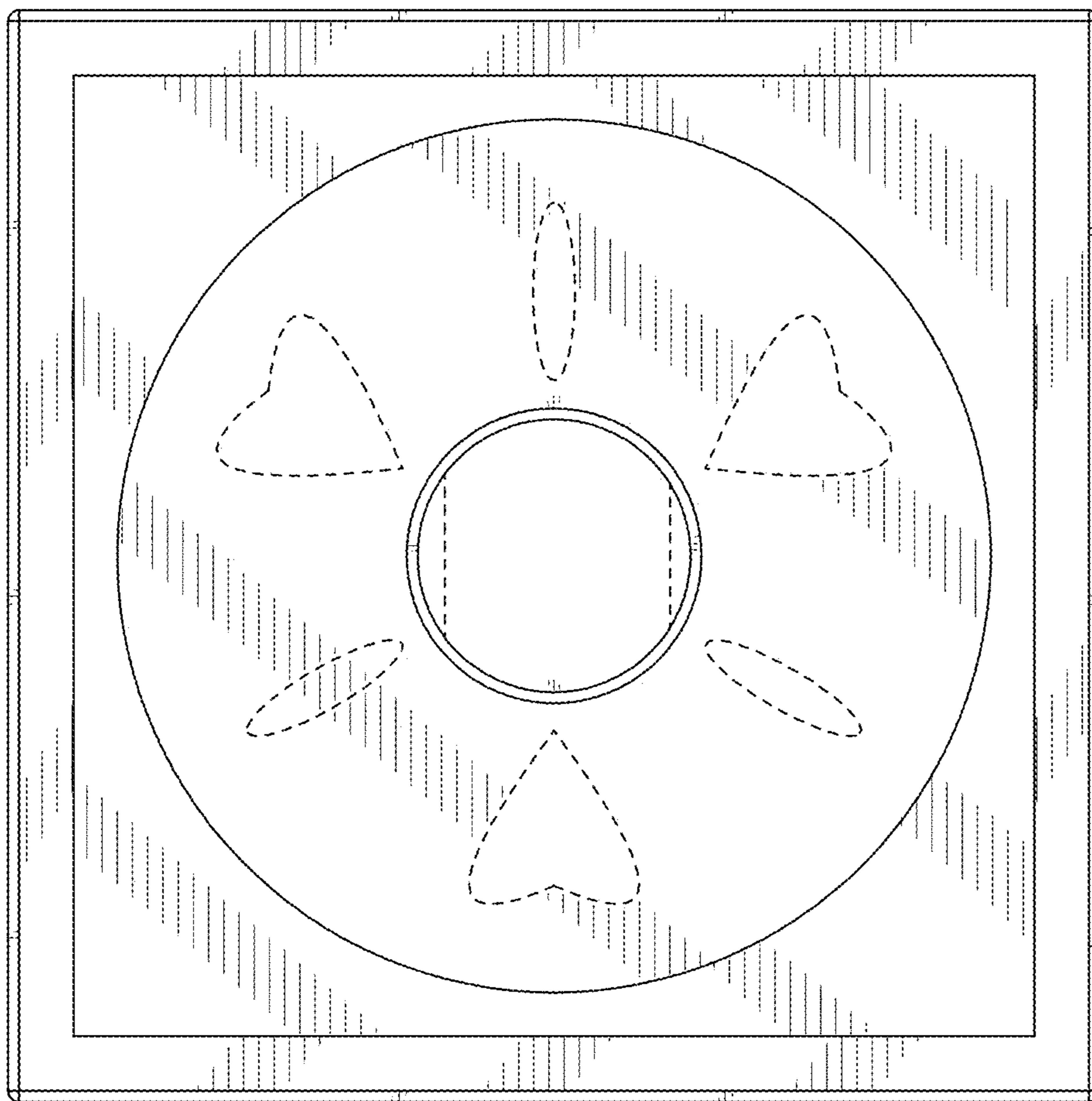


FIG. 5

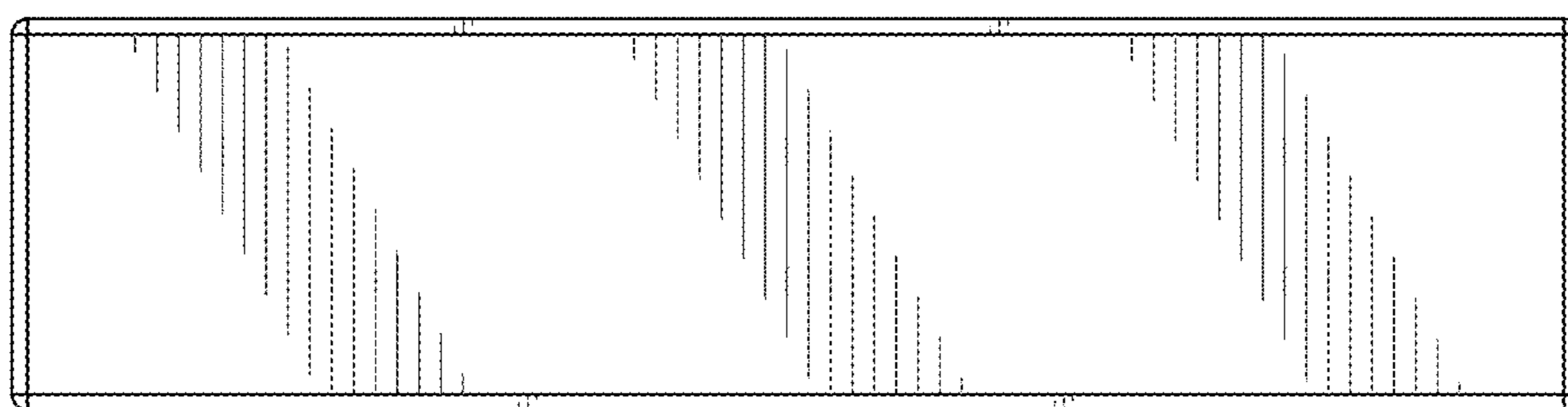


FIG. 6

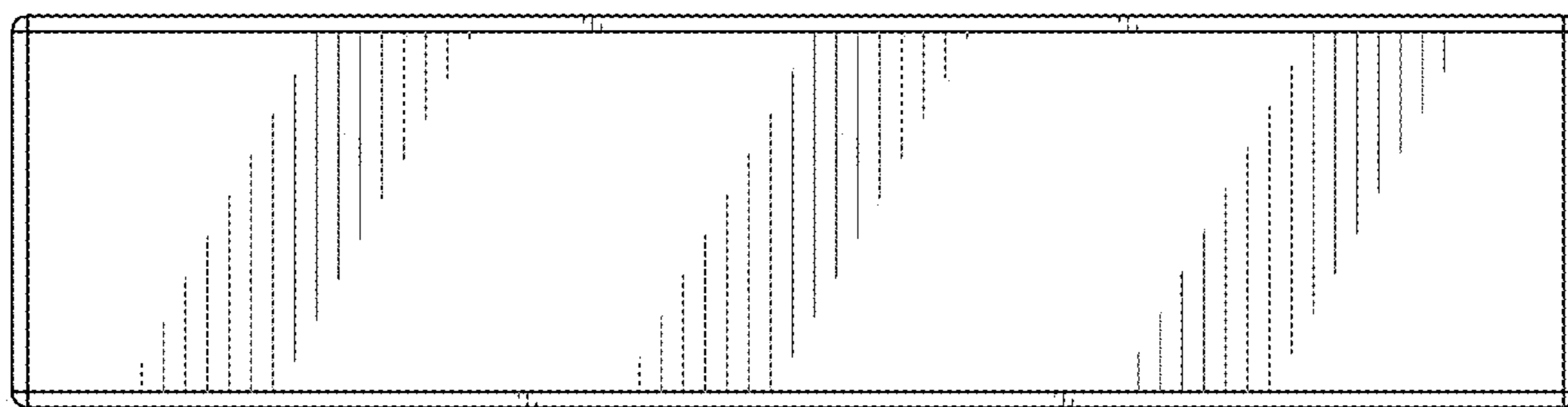


FIG. 7