



US00D913838S

(12) **United States Design Patent**
Grealish

(10) **Patent No.:** **US D913,838 S**

(45) **Date of Patent:** **** Mar. 23, 2021**

(54) **JEWELRY ELEMENT**

(71) Applicant: **Swarovski Aktiengesellschaft, Triesen**
(LI)

(72) Inventor: **Corinne Grealish, Paris (FR)**

(73) Assignee: **SWAROVSKI**
AKTIENGESELLSCHAFT, Triesen
(LI)

(**) Term: **15 Years**

(21) Appl. No.: **29/678,729**

(22) Filed: **Jan. 30, 2019**

(30) **Foreign Application Priority Data**

Jul. 31, 2018 (LI) 2018-684

(51) **LOC (13) Cl.** **11-01**

(52) **U.S. Cl.**
USPC **D11/86**

(58) **Field of Classification Search**
USPC D11/1-25, 32, 86, 87, 93, 94
CPC .. A44C 5/00; A44C 5/02; A44C 11/00; A44C
11/002; A44C 11/005; A44C 11/007
See application file for complete search history.

(56) **References Cited**

U.S. PATENT DOCUMENTS

- D625,215 S * 10/2010 Murray D11/3
- 8,225,626 B1 * 7/2012 Blau G09F 3/005
63/11
- D719,865 S * 12/2014 Yatsugi-Kang D11/3
- D723,411 S * 3/2015 Barbazza D11/3
- D743,276 S * 11/2015 Riviere D10/32
- D743,277 S * 11/2015 Riviere D10/32
- D783,443 S * 4/2017 Bresser D11/79

- D801,847 S * 11/2017 Dominguez D11/3
- 2012/0111053 A1 * 5/2012 Huynh A44C 17/007
63/3
- 2016/0213508 A1 * 7/2016 Sherman B65B 7/2821
- 2019/0343245 A1 * 11/2019 Daga A44C 17/0208
- 2020/0022469 A1 * 1/2020 Alstrom A44C 11/002

OTHER PUBLICATIONS

U.S. Trademark Registration No. 5786768 filed on Nov. 19, 2018 and granted on Jun. 25, 2019.
 U.S. Trademark Registration No. 5786769 filed on Nov. 19, 2018 and granted on Jun. 25, 2019.
 Hong Kong Trademark Registration No. 200313122 filed on Jun. 20, 2002 and granted on Dec. 21, 2001.

* cited by examiner

Primary Examiner — Zenia I Bennett

(74) *Attorney, Agent, or Firm* — Baker & McKenzie LLP

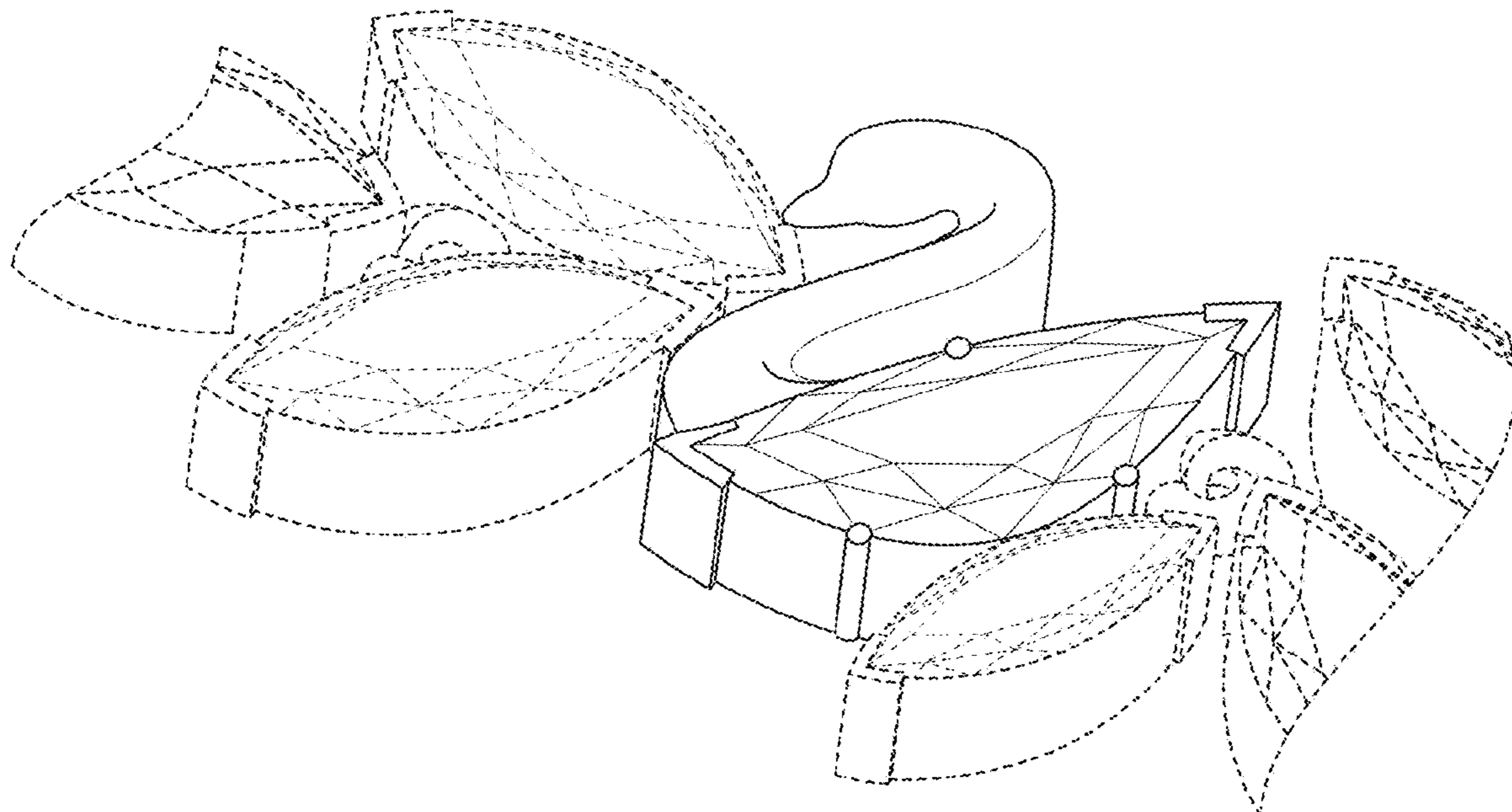
(57) **CLAIM**

The ornamental design for a jewelry element, as shown and described.

DESCRIPTION

FIG. 1 is perspective view showing my new design;
 FIG. 2 is a top elevational view thereof;
 FIG. 3 is a back elevational view thereof;
 FIG. 4 is a front elevational view of my new design;
 FIG. 5 is a back elevational view of my new design;
 FIG. 6 is a right elevational view of my new design; and,
 FIG. 7 is a left elevational view of my new design.
 The dotted lines shown in FIGS. 1 through 7 depict structure that forms no part of the claimed design.

1 Claim, 7 Drawing Sheets



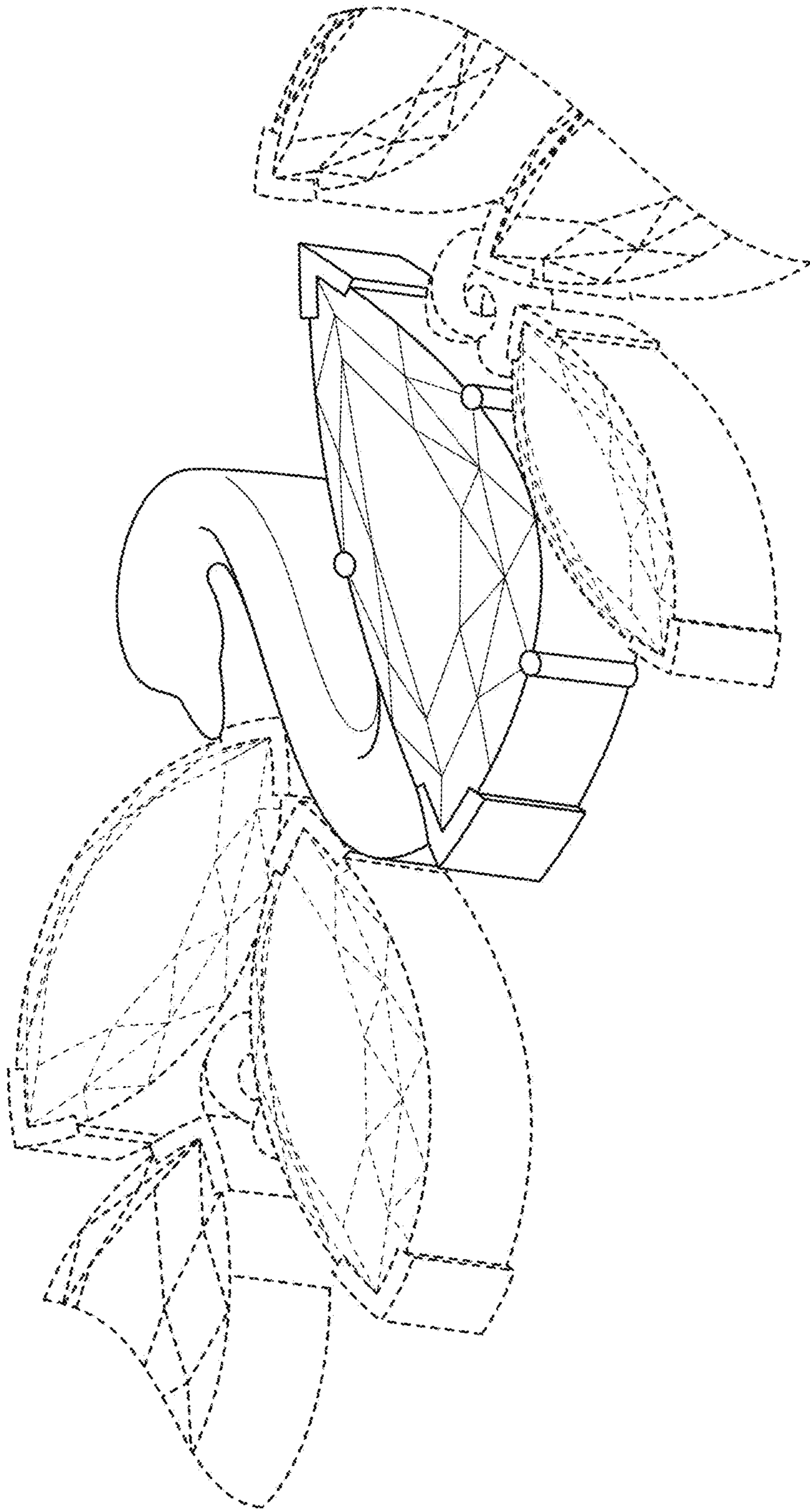


FIG. 1

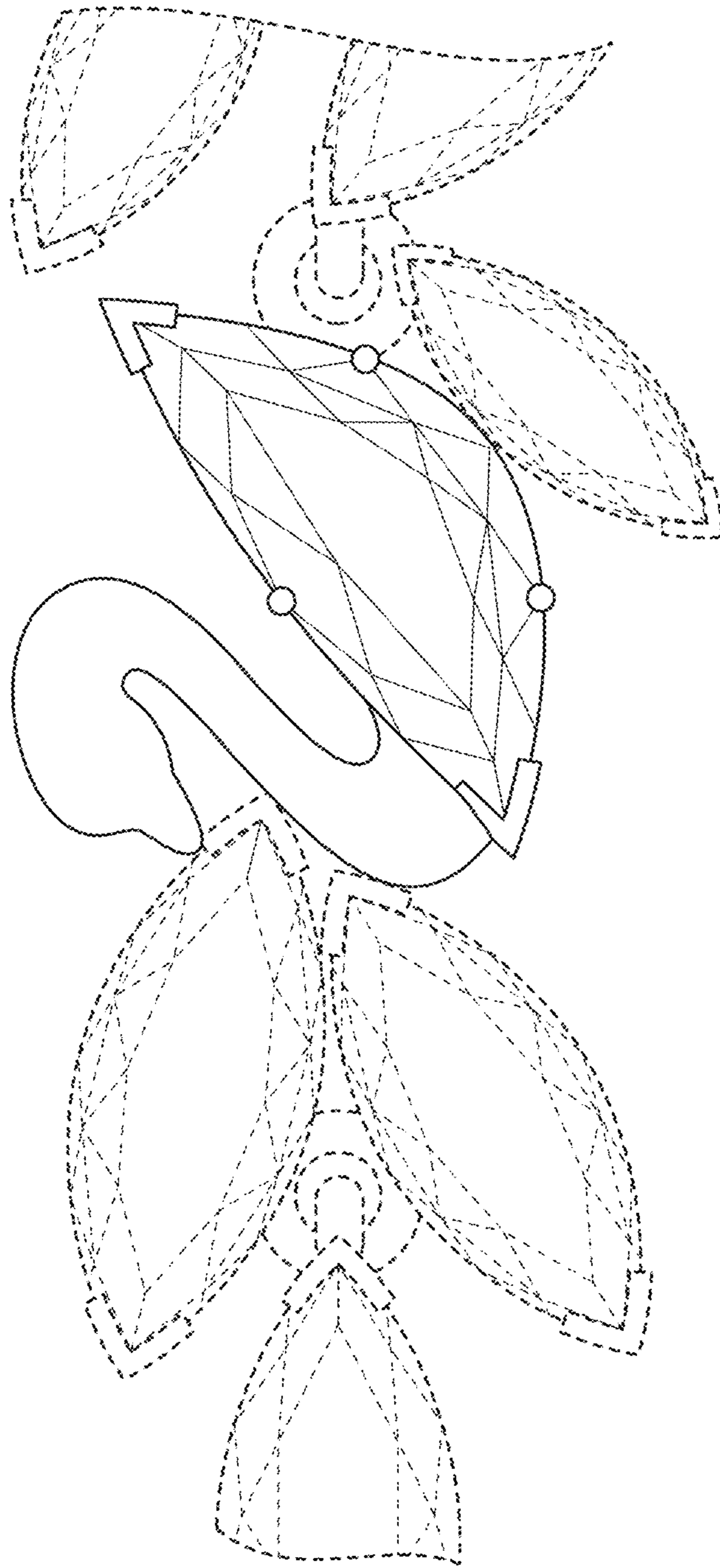


FIG. 2

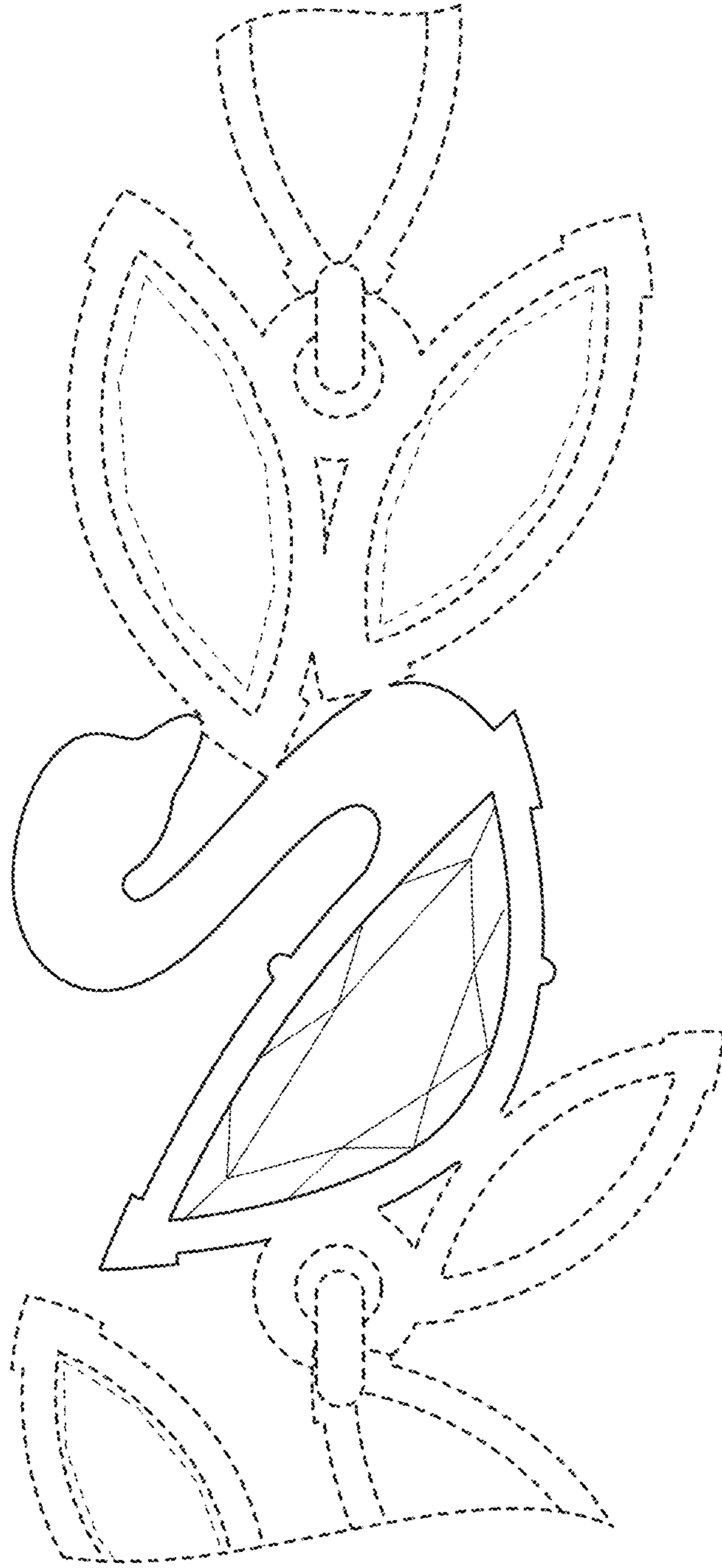


FIG. 3

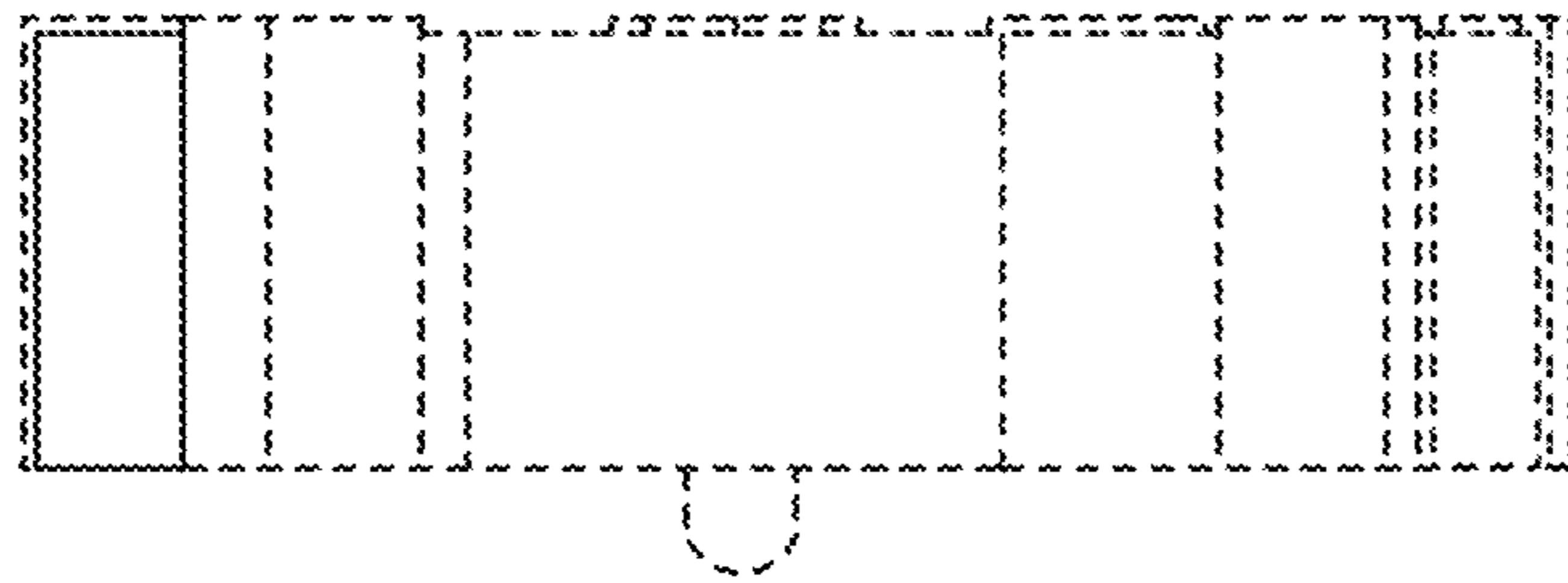


FIG. 4

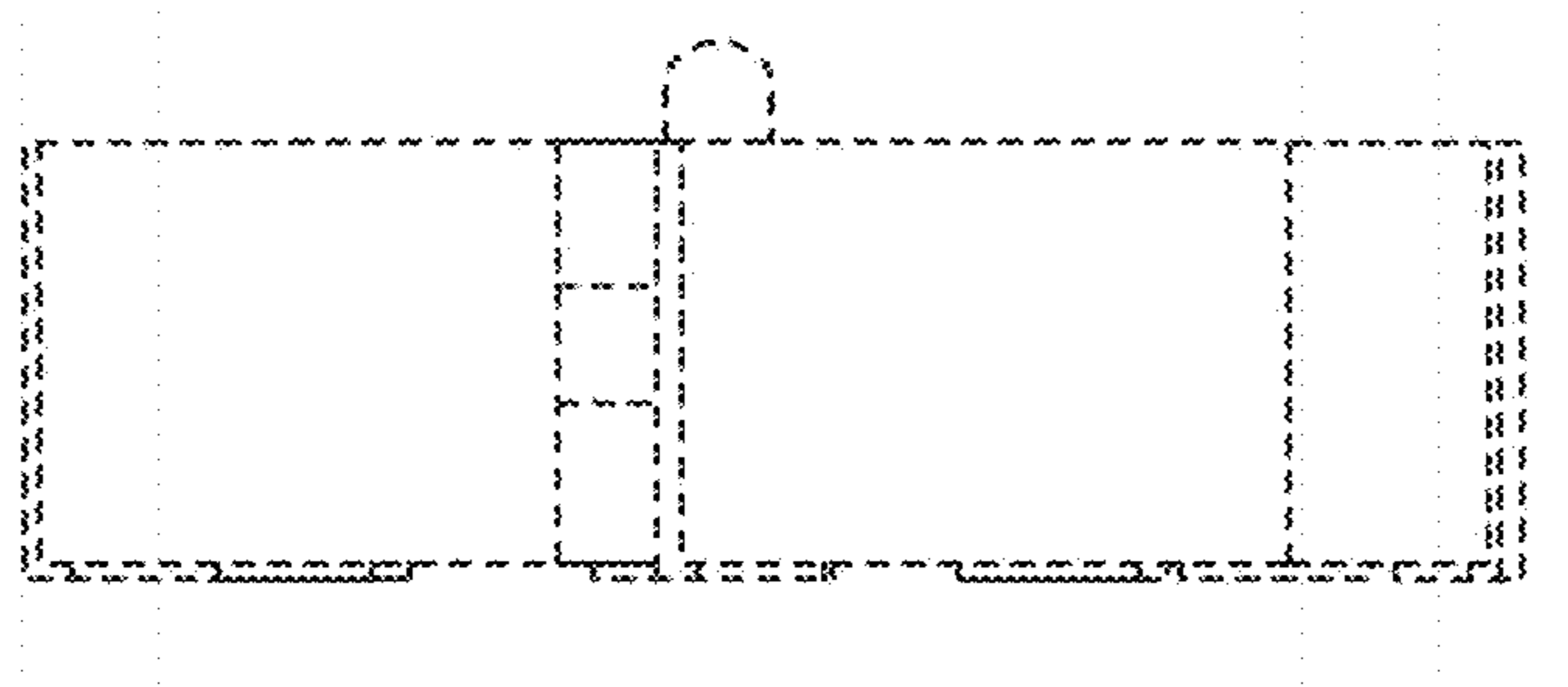


FIG. 5

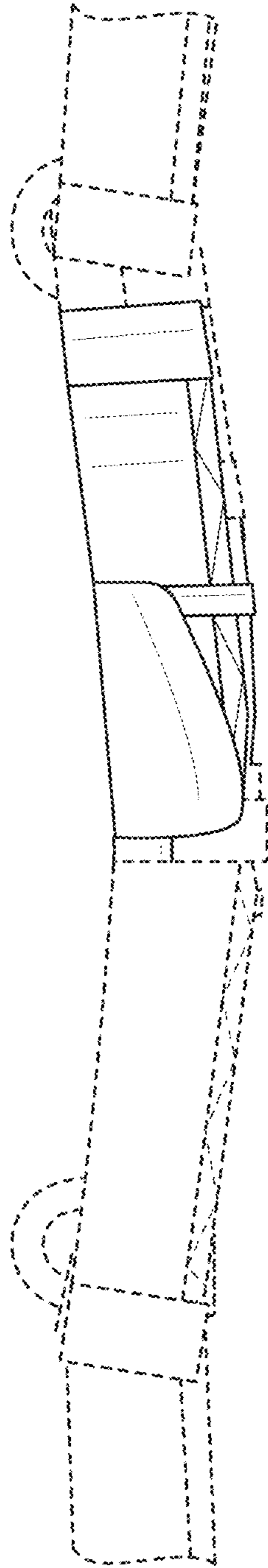


FIG. 6

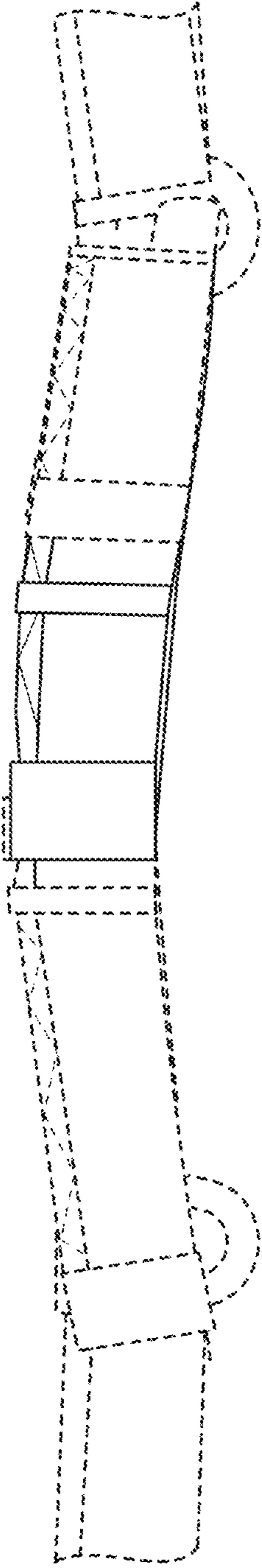


FIG. 7