



US00D913833S

(12) **United States Design Patent** (10) **Patent No.:** **US D913,833 S**
Stern (45) **Date of Patent:** **** Mar. 23, 2021**

(54) **WATCH DIAL**

19/223; G04B 19/23; G04B 19/24; G04B 19/241; G04B 19/243; G04D 3/04

(71) Applicant: **PATEK PHILIPPE SA GENEVE**,
Geneva (CH)

See application file for complete search history.

(72) Inventor: **Thierry Stern**, Geneva (CH)

(56) **References Cited**

(73) Assignee: **PATEK PHILIPPE SA GENEVE**,
Geneva (CH)

U.S. PATENT DOCUMENTS

(**) Term: **15 Years**

(21) Appl. No.: **29/701,067**

(22) Filed: **Aug. 8, 2019**

D604,653	S	*	11/2009	Kume	D10/122
D628,911	S	*	12/2010	Giannini	D10/32
D634,651	S	*	3/2011	Jorst	D10/39
D649,891	S	*	12/2011	Binda	D10/39
D650,705	S	*	12/2011	Blank	D10/32
D656,415	S	*	3/2012	Binda	D10/39
D710,731	S	*	8/2014	Calvani	D10/126
D722,901	S	*	2/2015	Cerrato	D10/126
D743,828	S	*	11/2015	Choisnes	D10/124
D746,712	S	*	1/2016	Cerrato	D10/124
9,639,064	B2	*	5/2017	Schneider	G04G 9/02
9,665,070	B2	*	5/2017	Dordor	G04G 17/02
D792,247	S	*	7/2017	Davoli	D10/39
D792,786	S	*	7/2017	Davoli	D10/39
D797,577	S	*	9/2017	Kauffmann	D10/39

Related U.S. Application Data

(62) Division of application No. 35/505,618, filed on Mar. 14, 2018 (U.S. filing date under 35 U.S.C. 384), and having an international filing date of Mar. 14, 2018, now Pat. No. Des. 870,568.

* cited by examiner

Primary Examiner — Richard E Chilcot

(30) **Foreign Application Priority Data**

Mar. 14, 2018 (WO) DM/100716

(74) *Attorney, Agent, or Firm* — Nixon & Vanderhye

(51) **LOC (13) Cl.** **10-07**

(57) **CLAIM**

(52) **U.S. Cl.**

The ornamental design for a watch dial, as shown and described.

USPC **D10/126**

DESCRIPTION

(58) **Field of Classification Search**

USPC D10/1, 2, 10, 30–39, 98, 99, 122–128, D10/132

FIG. 1 is a front elevation view of a watch dial showing the new design;

CPC A41D 19/0027; A45C 11/10; G04C 19/00; G04C 19/02; G04B 19/00; G04B 19/08; G04B 19/048; G04B 19/04; G04B 19/046; G04B 19/06; G04B 19/025; G04B 19/065; G04B 19/082; G04B 19/085; G04B 19/087; G04B 19/10; G04B 19/103; G04B 19/106; G04B 47/042; G04B 19/12; G04B 19/18; G04B

FIG. 2 is a rear elevation view thereof;

FIG. 3 is a side elevation view thereof;

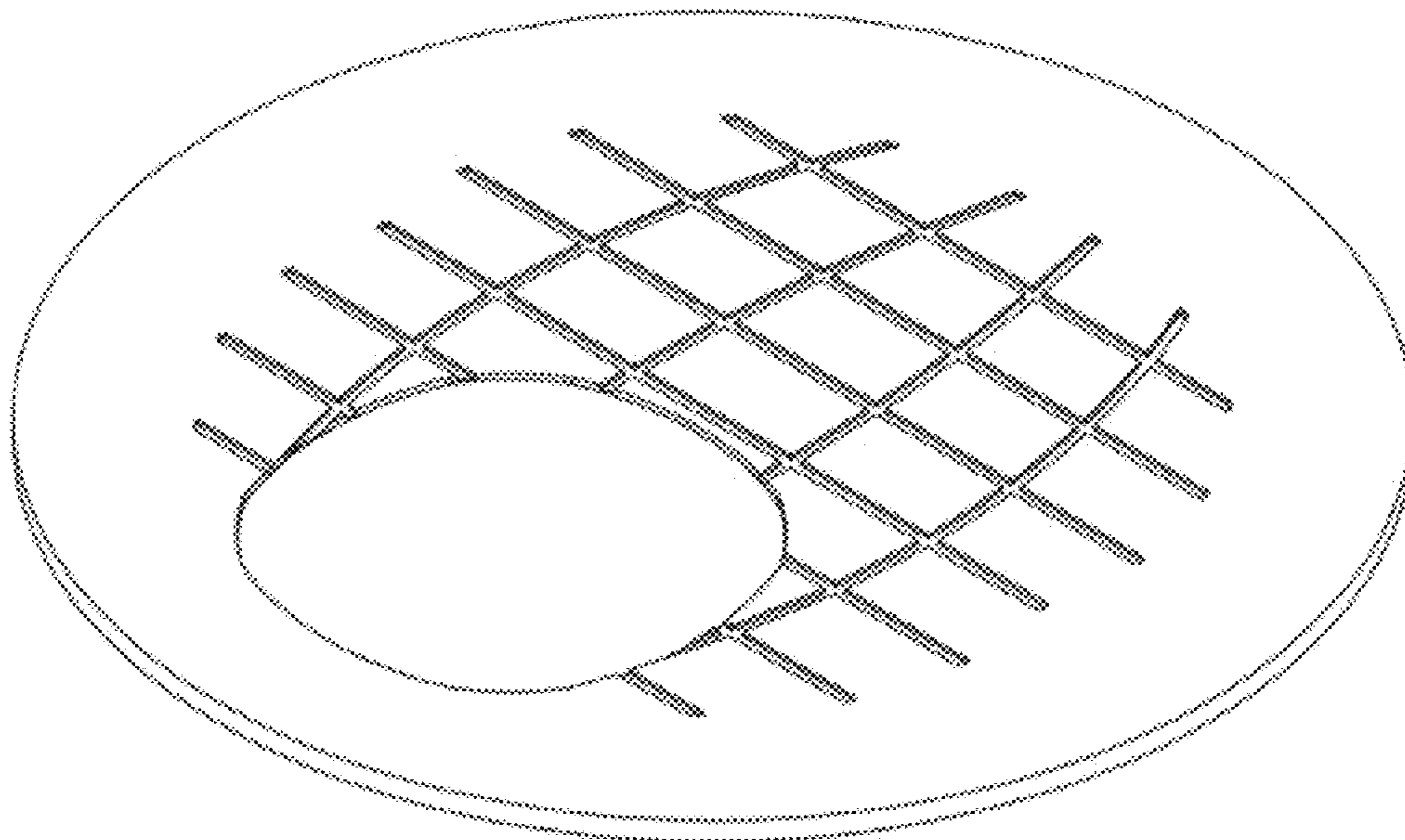
FIG. 4 is an opposite side elevation view thereof as compared to FIG. 3;

FIG. 5 is a top plan view thereof;

FIG. 6 is a bottom plan view thereof; and,

FIG. 7 is a front, bottom, and side perspective view thereof.

1 Claim, 7 Drawing Sheets



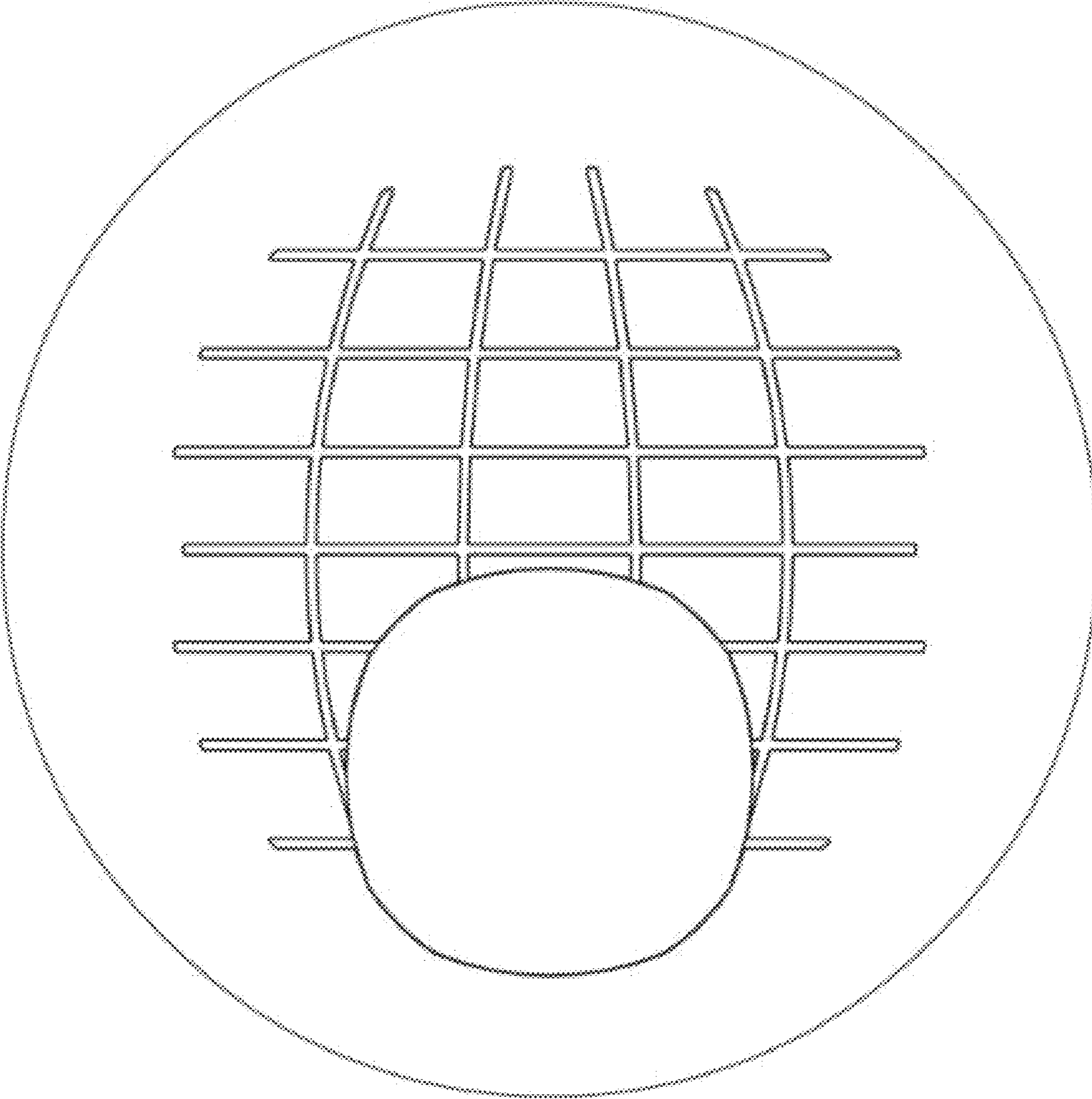


FIG. 1

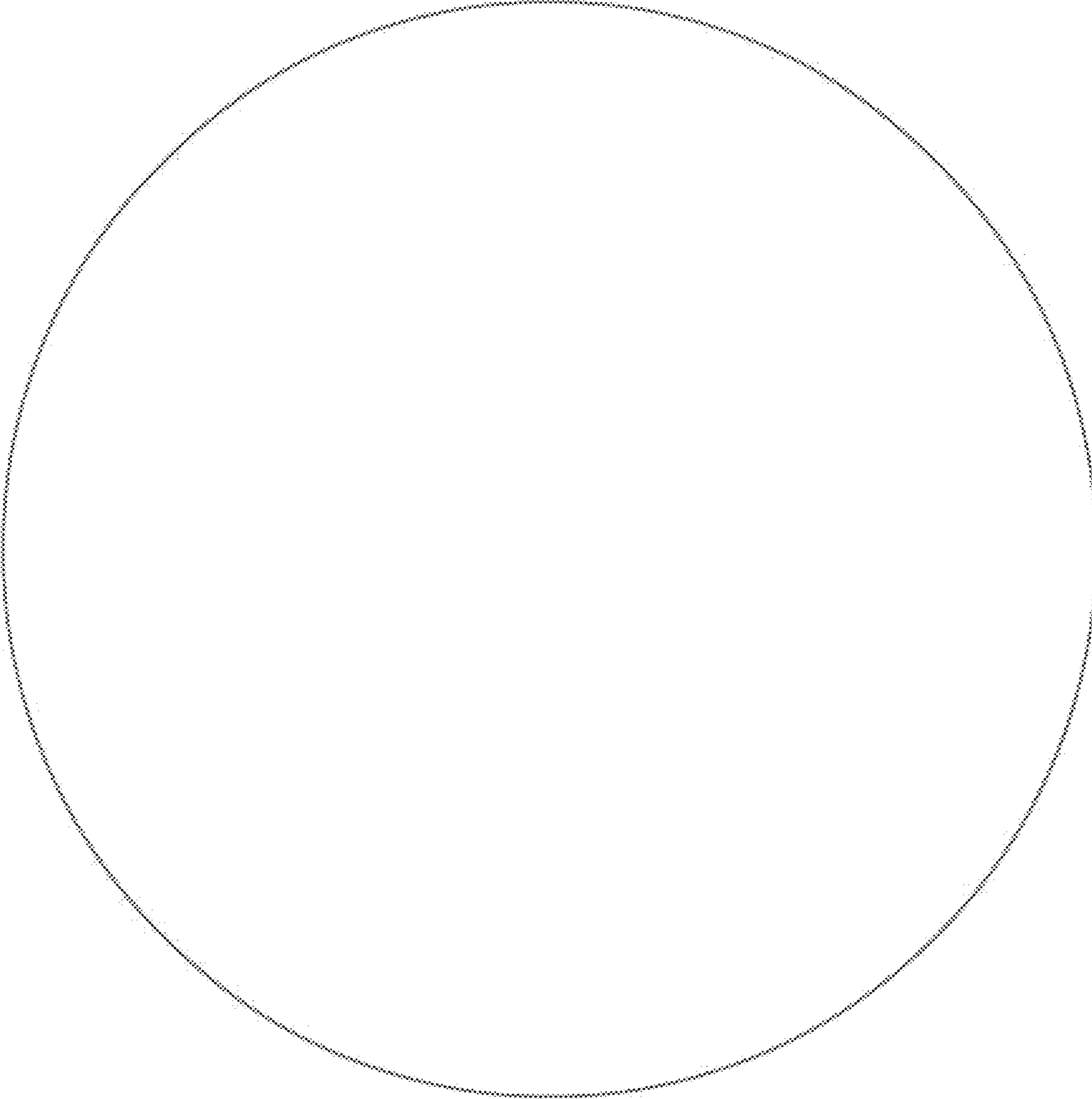


FIG. 2

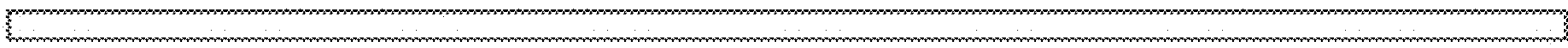


FIG. 3

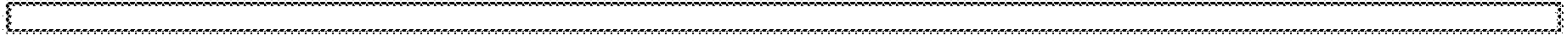


FIG. 4

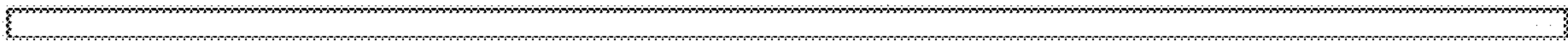


FIG. 5

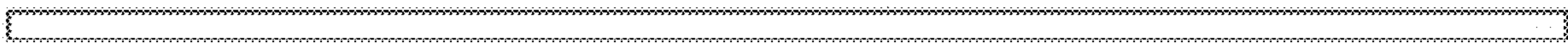


FIG. 6

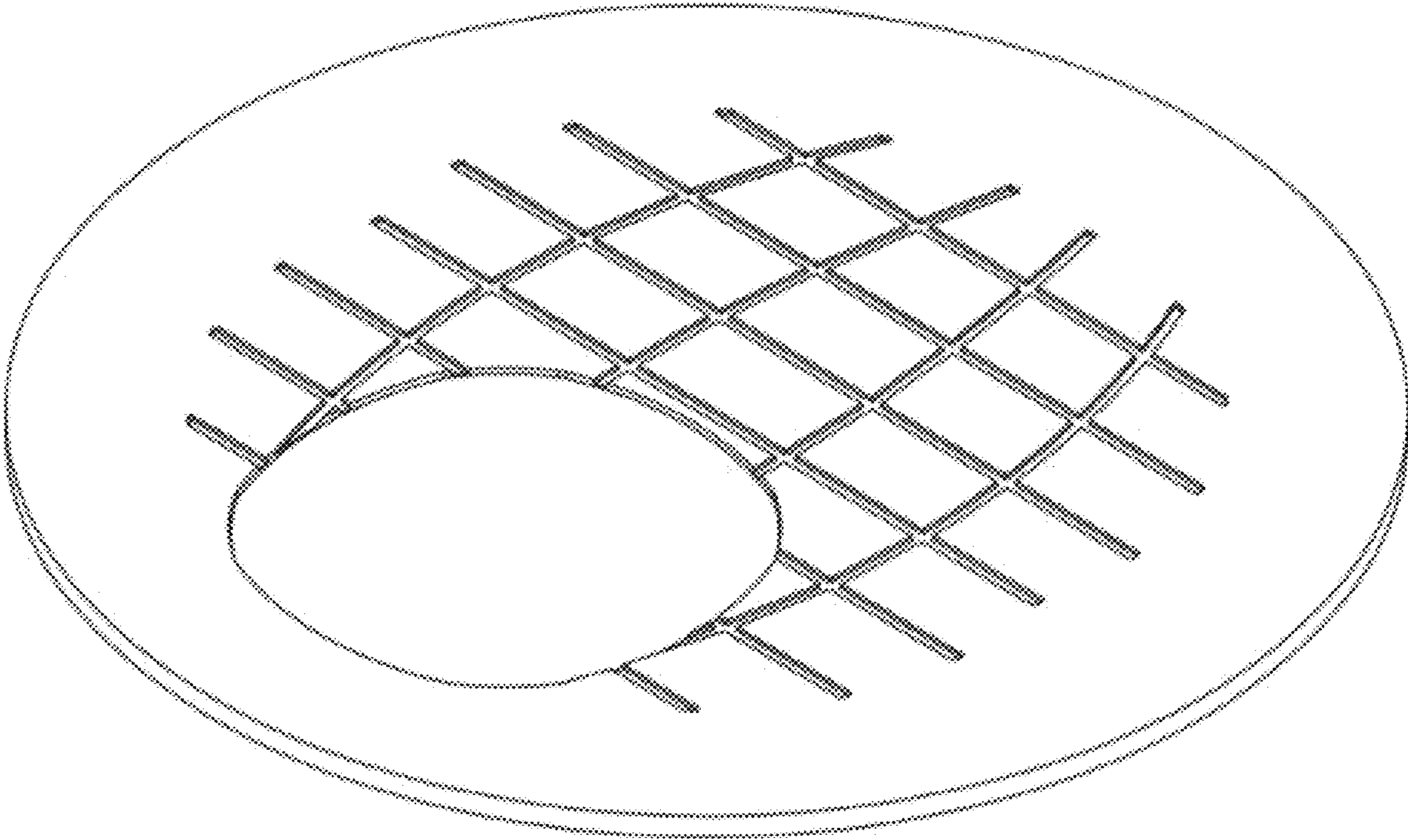


FIG. 7