



US00D913831S

(12) **United States Design Patent** (10) **Patent No.:** **US D913,831 S**
Imaishi et al. (45) **Date of Patent:** **** Mar. 23, 2021**

(54) **PROJECTOR ATTACHMENT FOR USE ON A VEHICLE**

(71) Applicant: **Mitsubishi Electric Corporation,**
Tokyo (JP)

(72) Inventors: **Akiko Imaishi,** Tokyo (JP); **Shinsaku Fukutaka,** Tokyo (JP); **Munetaka Nishihira,** Tokyo (JP); **Kei Kasuga,** Tokyo (JP); **Reiko Sakata,** Tokyo (JP); **Tsutomu Matsubara,** Tokyo (JP)

(73) Assignee: **Mitsubishi Electric Corporation,**
Tokyo (JP)

(**) Term: **15 Years**

(21) Appl. No.: **29/692,006**

(22) Filed: **May 21, 2019**

(30) **Foreign Application Priority Data**

Nov. 21, 2018 (JP) 2018-025376

(51) **LOC (13) Cl.** **10-05**

(52) **U.S. Cl.**
USPC **D10/109.1**

(58) **Field of Classification Search**
USPC D14/485-495; D10/109.1, 109.2, 111,
D10/112, 113, 113.4, 114.1, 114.2, 114.3,
D10/121; D26/24, 28-31, 34, 51, 56,
D26/118, 119, 120
CPC G03B 21/14; B60Q 1/24; B60Q 2400/50;
B60R 2011/004

See application file for complete search history.

(56) **References Cited**

U.S. PATENT DOCUMENTS

D436,599 S * 1/2001 Greene D14/490
D667,450 S * 9/2012 Eby D14/492

D686,246 S * 7/2013 Gardner D14/491
D706,292 S * 6/2014 Tyler D14/489
D744,536 S * 12/2015 Gardner D14/489
D789,414 S * 6/2017 Brabrand D14/490
D876,478 S * 2/2020 Sakata D14/489
D878,640 S * 3/2020 Imaishi D26/28
D891,282 S * 7/2020 Imaishi D10/109.1
D898,076 S * 10/2020 Imaishi D14/489
D898,247 S * 10/2020 Ye D26/28

(Continued)

Primary Examiner — Susan E Krakower

Assistant Examiner — Jerry Shiuian-Hua Hsu

(74) *Attorney, Agent, or Firm* — Studebaker & Brackett
PC

(57) **CLAIM**

The ornamental design for a projector attachment for use on a vehicle, as shown and described.

DESCRIPTION

FIG. 1. is a front, left, top perspective view of a projector attachment for use on a vehicle showing our new design;

FIG. 2. is a front view thereof;

FIG. 3. is a rear view thereof;

FIG. 4. is a right side view thereof, the left side view being a mirror image thereof;

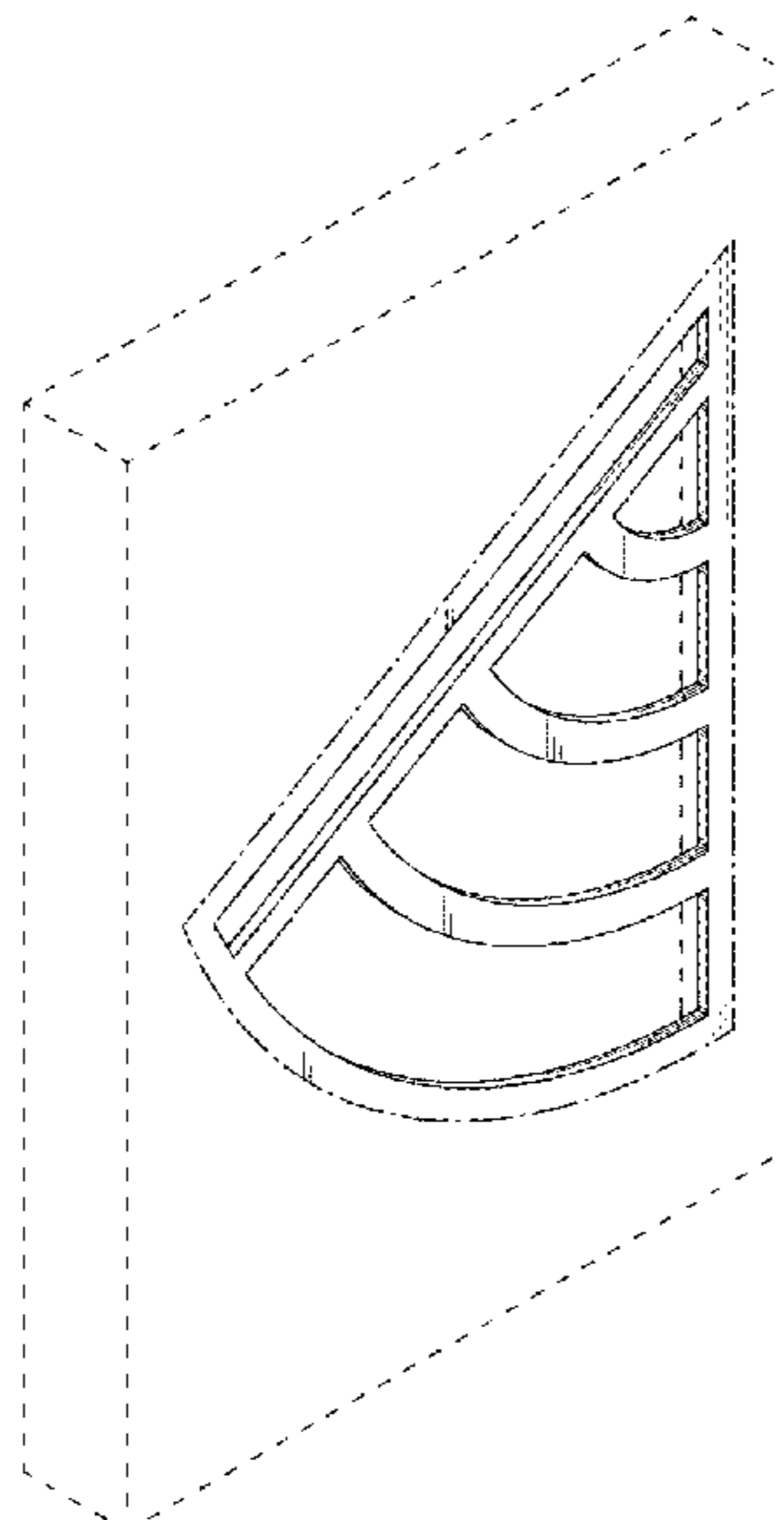
FIG. 5. is a top plan view thereof, the bottom plan view being a mirror image thereof;

FIG. 6. is a cross-sectional view taken from line 6-6 in FIG. 2; and,

FIG. 7. is a front, left, top perspective view thereof, shown in a state of use.

The dash-dash broken lines illustrate portions of the projector attachment for use on a vehicle that form no part of the claimed design. The dash-dot broken lines illustrate boundary lines and form no part of the claimed design. The dash-dash broken lines, in FIG. 7 showing a square structure and a projection from the claim, depict environmental structure, which form no part of the claimed design.

1 Claim, 7 Drawing Sheets



(56)

References Cited

U.S. PATENT DOCUMENTS

2011/0273671 A1* 11/2011 Chu G03B 21/14
353/13

* cited by examiner

Fig.1

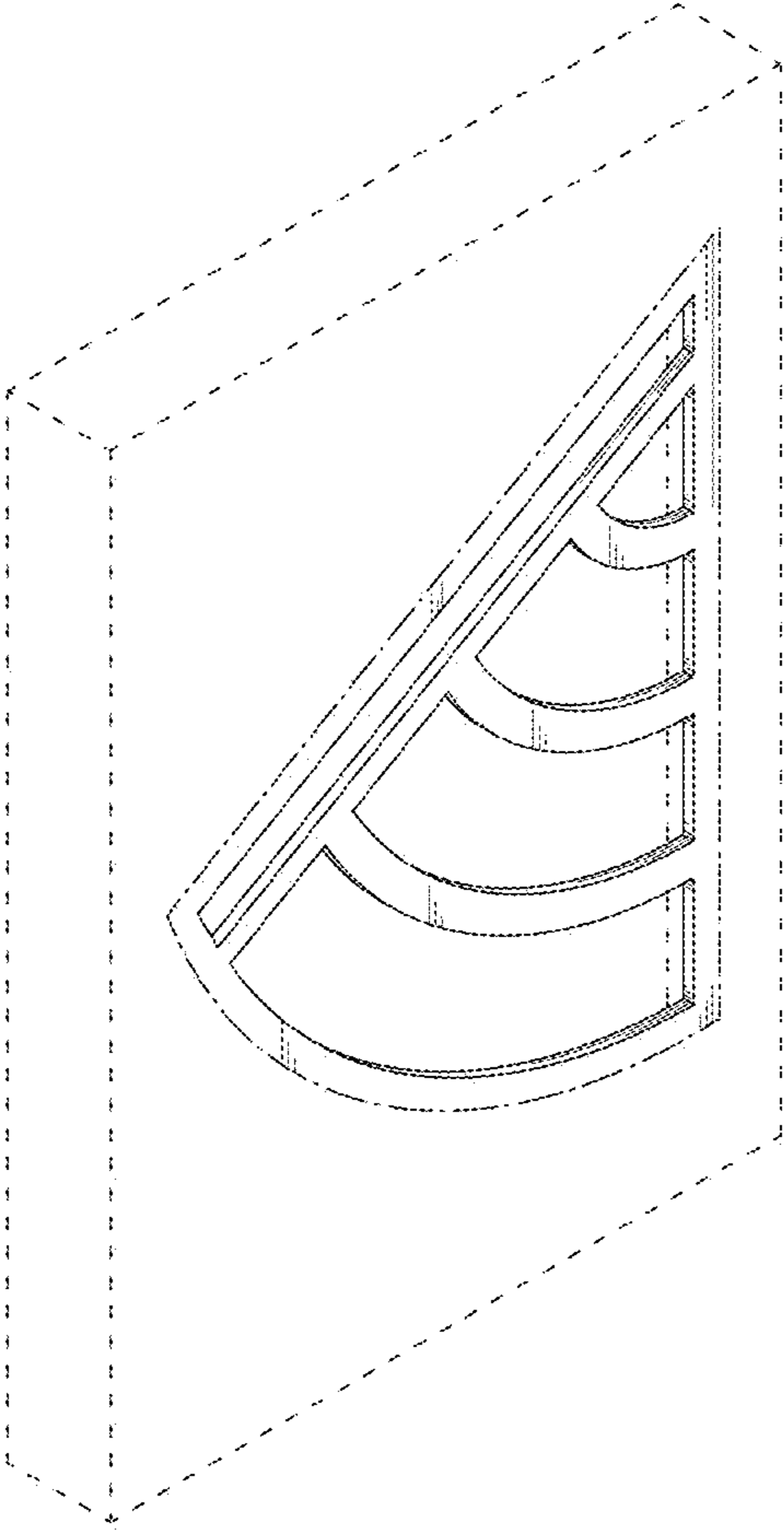


Fig.2

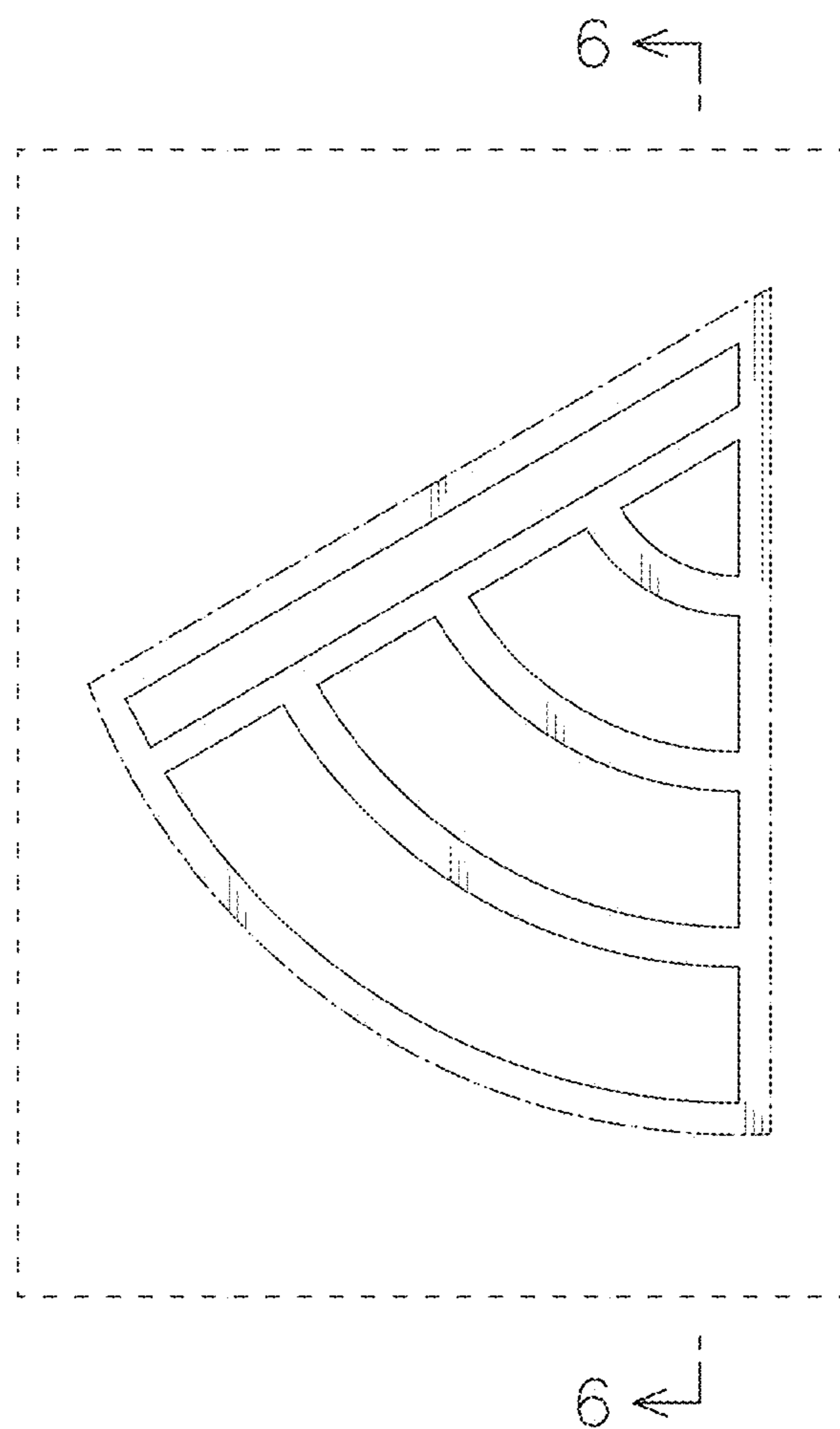


Fig.3

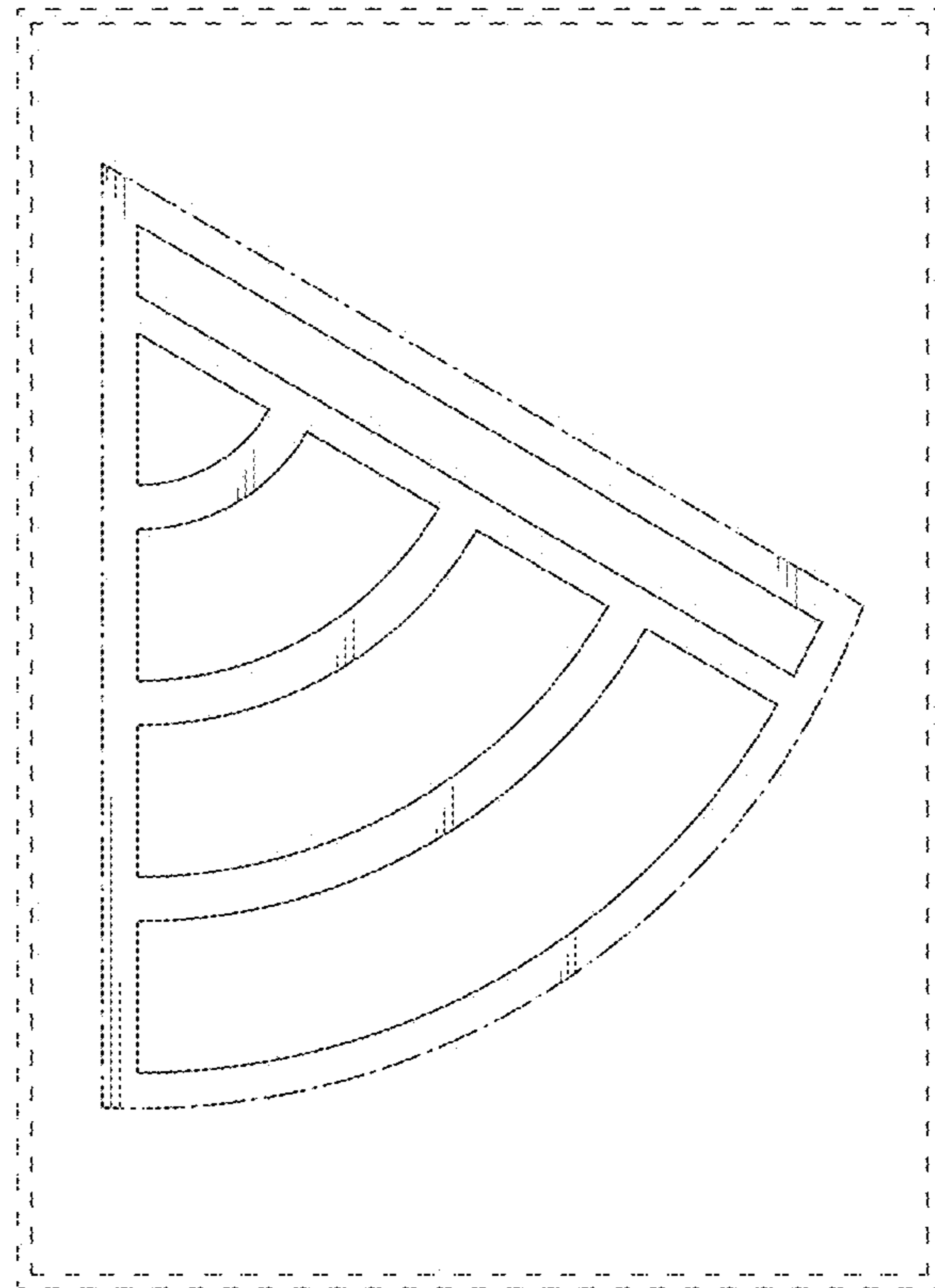


Fig.4

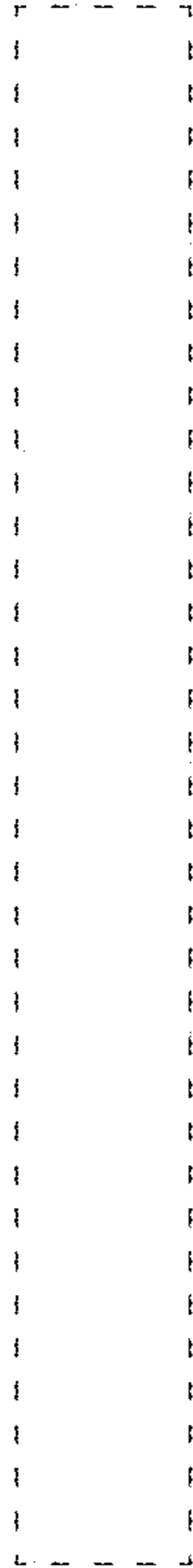


Fig.5



Fig.6

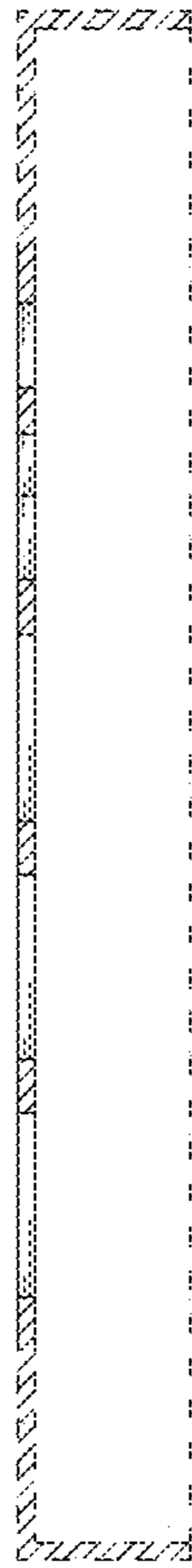


Fig.7

