



US00D913826S

(12) **United States Design Patent** (10) **Patent No.:** **US D913,826 S**
Yokino et al. (45) **Date of Patent:** **** Mar. 23, 2021**

(54) **SPECTROMETER**
(71) Applicant: **HAMAMATSU PHOTONICS K.K.**,
Hamamatsu (JP)
(72) Inventors: **Takafumi Yokino**, Hamamatsu (JP);
Katsumi Shibayama, Hamamatsu (JP);
Katsuhiko Kato, Hamamatsu (JP)
(73) Assignee: **HAMAMATSU PHOTONICS K.K.**,
Hamamatsu (JP)

D603,729 S 11/2009 Shibayama
D603,730 S 11/2009 Shibayama
D603,731 S 11/2009 Shibayama
D677,185 S 3/2013 Zhou et al.
D711,265 S 8/2014 Antonczak
8,812,070 B2 8/2014 Jossart et al.
D748,510 S 2/2016 Zhou et al.
D763,959 S 8/2016 Lee et al.
D767,652 S 9/2016 Schonherr et al.
D796,359 S 9/2017 White et al.

(Continued)

(**) Term: **15 Years**

(21) Appl. No.: **29/705,028**

(22) Filed: **Sep. 9, 2019**

Related U.S. Application Data

(60) Division of application No. 29/627,946, filed on Nov. 30, 2017, now Pat. No. Des. 880,323, which is a continuation of application No. 35/501,554, filed on Mar. 15, 2016 (U.S. filing date under 35 U.S.C. 384), and having an international filing date of Mar. 15, 2016, now Pat. No. Des. 812,502.

(51) **LOC (13) Cl.** **10-04**

(52) **U.S. Cl.**
USPC **D10/81**

(58) **Field of Classification Search**
USPC D10/47, 81, 104.1, 158; D13/159, 160
CPC G01B 1/00; G01J 3/0256; G01N 21/67
See application file for complete search history.

(56) **References Cited**

U.S. PATENT DOCUMENTS

4,687,329 A 8/1987 Schultz
5,166,755 A 11/1992 Gat
D347,396 S 5/1994 Ohnuma et al.
D557,156 S 12/2007 Kon
D603,280 S 11/2009 Shibayama

OTHER PUBLICATIONS

Notice of Allowance dated Jan. 7, 2020 in U.S. Appl. No. 29/710,159.

(Continued)

Primary Examiner — Michael C Stout

Assistant Examiner — Fritzgerald L Butac

(74) *Attorney, Agent, or Firm* — Faegre Drinker Biddle & Reath LLP

(57) **CLAIM**

The ornamental design for a spectrometer, as shown and described.

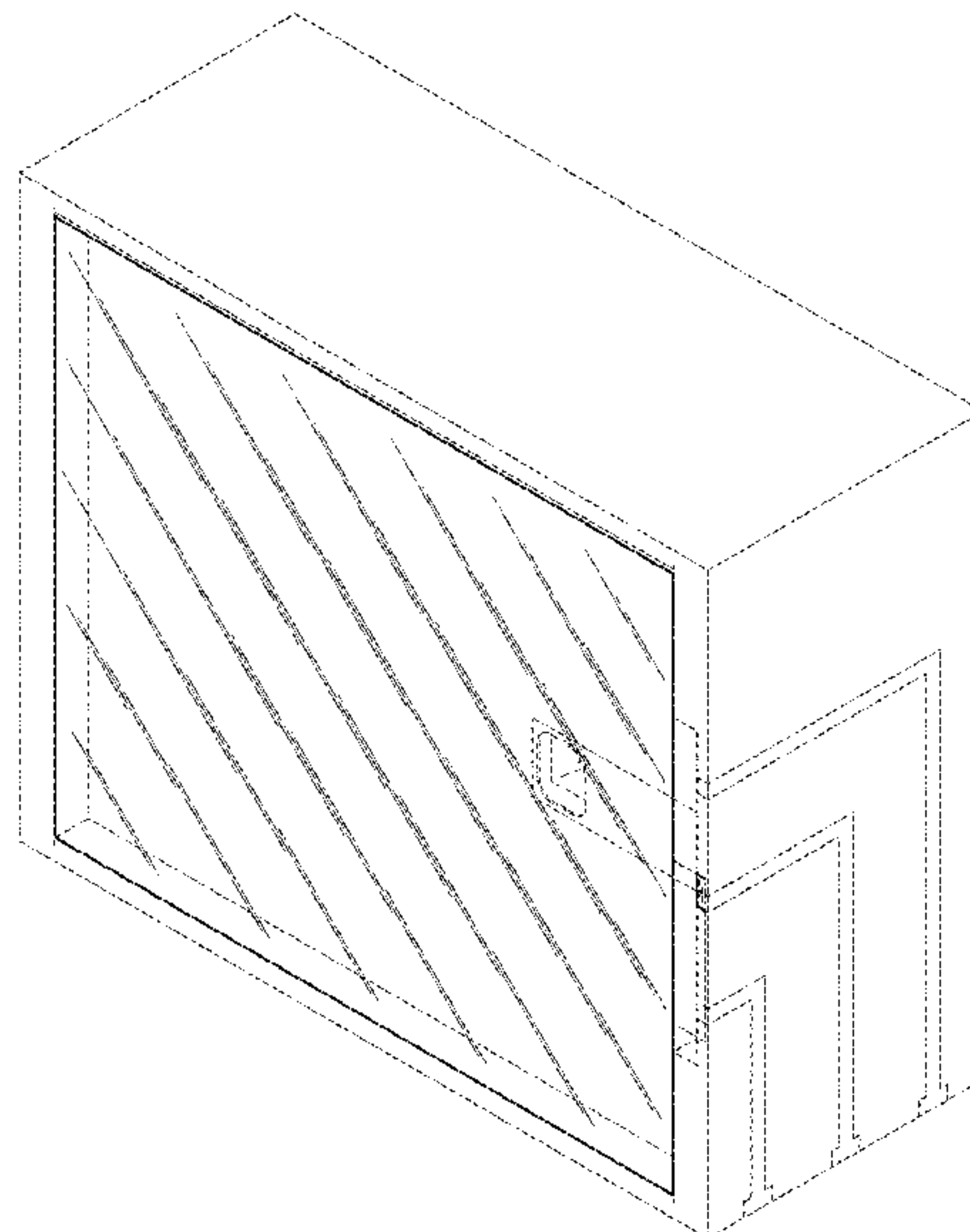
DESCRIPTION

FIG. 1 is a perspective view of a spectrometer;
FIG. 2 is a front view of the spectrometer of FIG. 1;
FIG. 3 is a back view of the spectrometer of FIG. 1;
FIG. 4 is a top view of the spectrometer of FIG. 1;
FIG. 5 is a bottom view of the spectrometer of FIG. 1;
FIG. 6 is a left view of the spectrometer of FIG. 1;
FIG. 7 is a right view of the spectrometer of FIG. 1; and,
FIG. 8 is a sectional view taken along the line 8-8 of the spectrometer of FIG. 2.

The broken lines show portions of a spectrometer that form no part of the claimed design.

The dash-dot broken line seen in FIGS. 1 and 2 form the bounds of the claimed design and form no part thereof.

1 Claim, 8 Drawing Sheets



(56)

References Cited

U.S. PATENT DOCUMENTS

D802,050 S 11/2017 Kawai et al.
D805,934 S * 12/2017 Yokino D10/81
D805,935 S 12/2017 Yokino et al.
D805,936 S 12/2017 Yokino et al.
D812,502 S 3/2018 Yokino et al.
D821,902 S 7/2018 Hirose et al.
D821,903 S 7/2018 Hirose et al.
D825,361 S 8/2018 Hirose et al.
D829,116 S 9/2018 Hirose et al.
D829,117 S 9/2018 Hirose et al.
D829,577 S 10/2018 Hirose et al.
D829,579 S 10/2018 Hirose et al.
D829,581 S 10/2018 Hirose et al.
D839,116 S * 1/2019 Hirose D10/81
D839,117 S * 1/2019 Hirose D10/81

OTHER PUBLICATIONS

Office Action dated Sep. 13, 2019 in U.S. Appl. No. 29/635,668.
Office Action dated May 18, 2020 in Design U.S. Appl. No.
29/705,045.

* cited by examiner

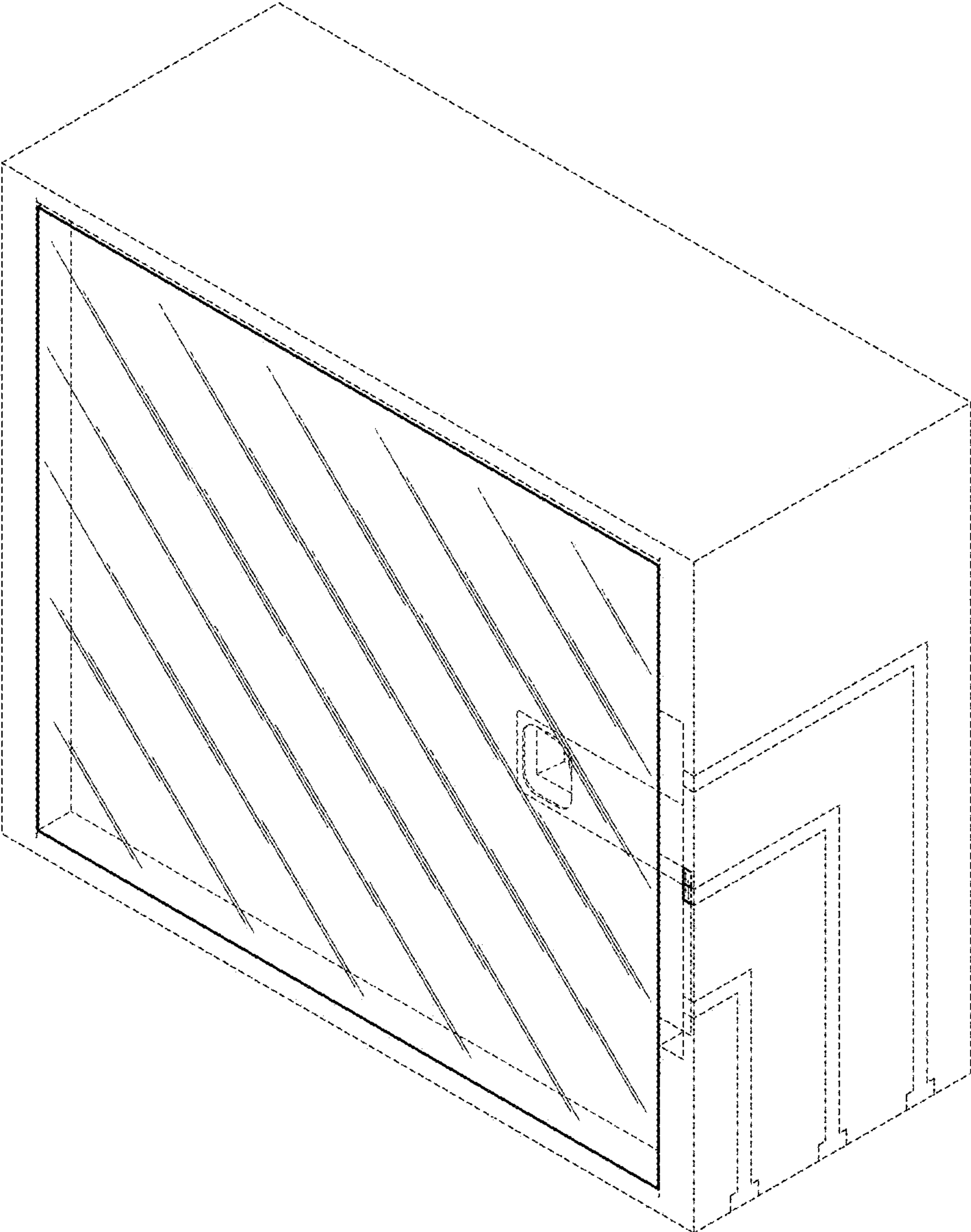


FIG. 1

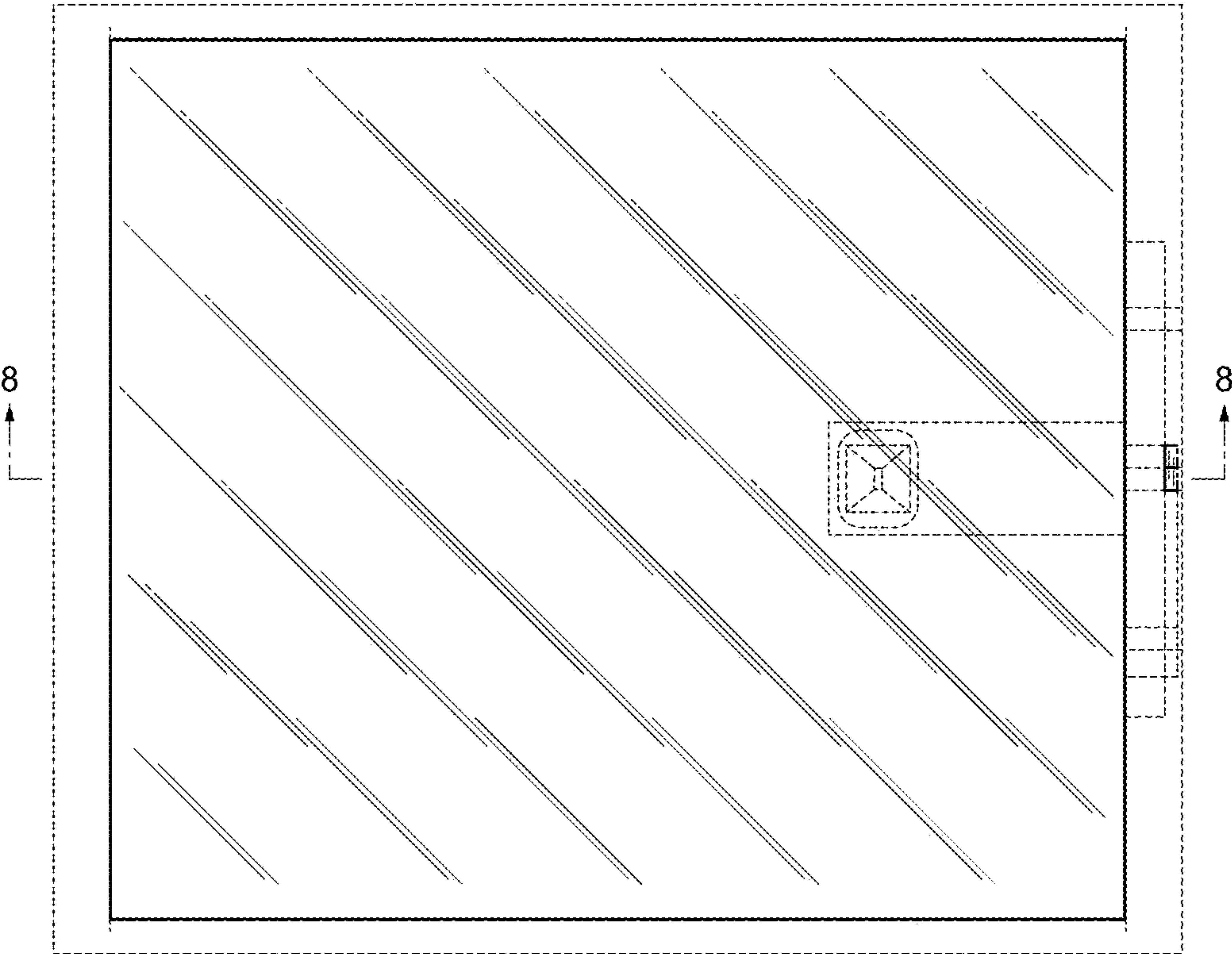


FIG. 2

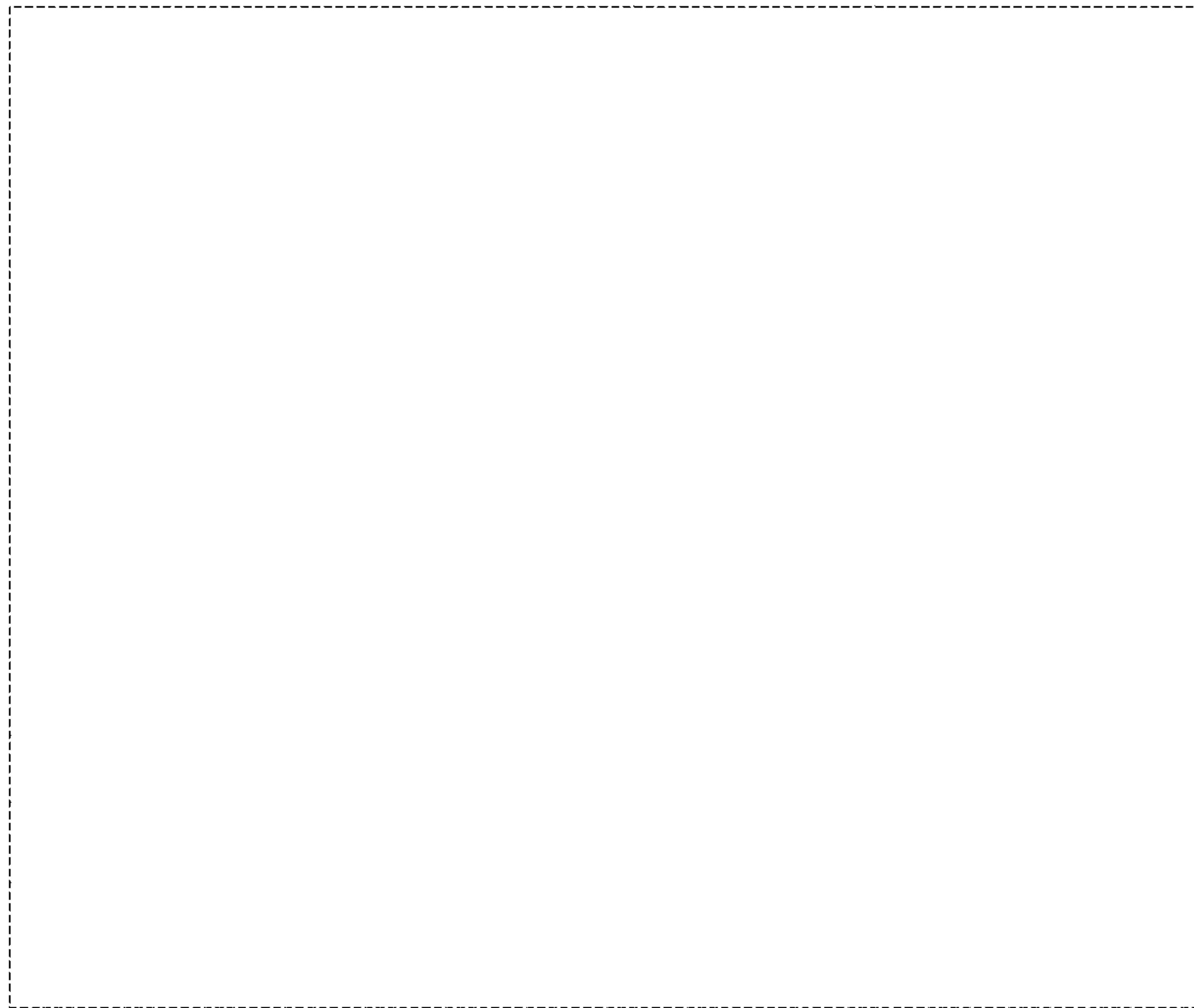


FIG. 3



FIG. 4

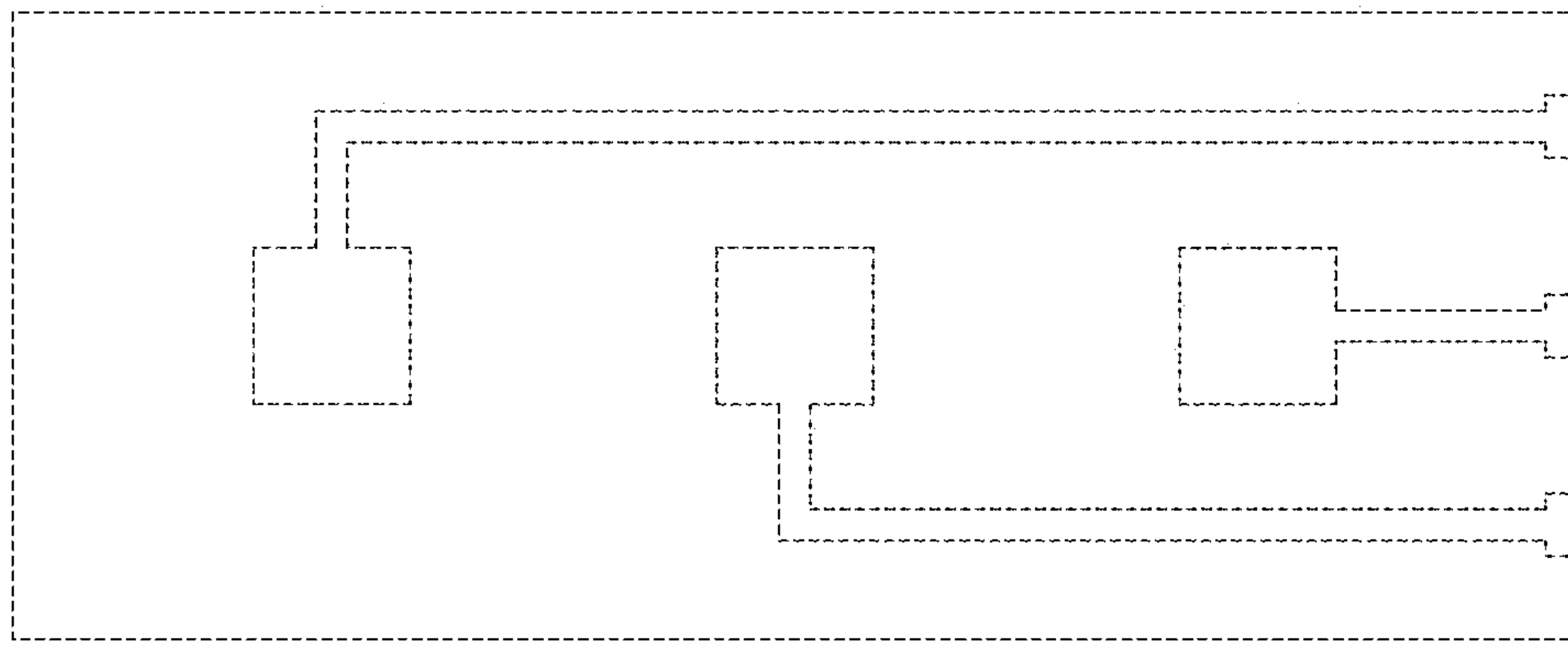


FIG. 5

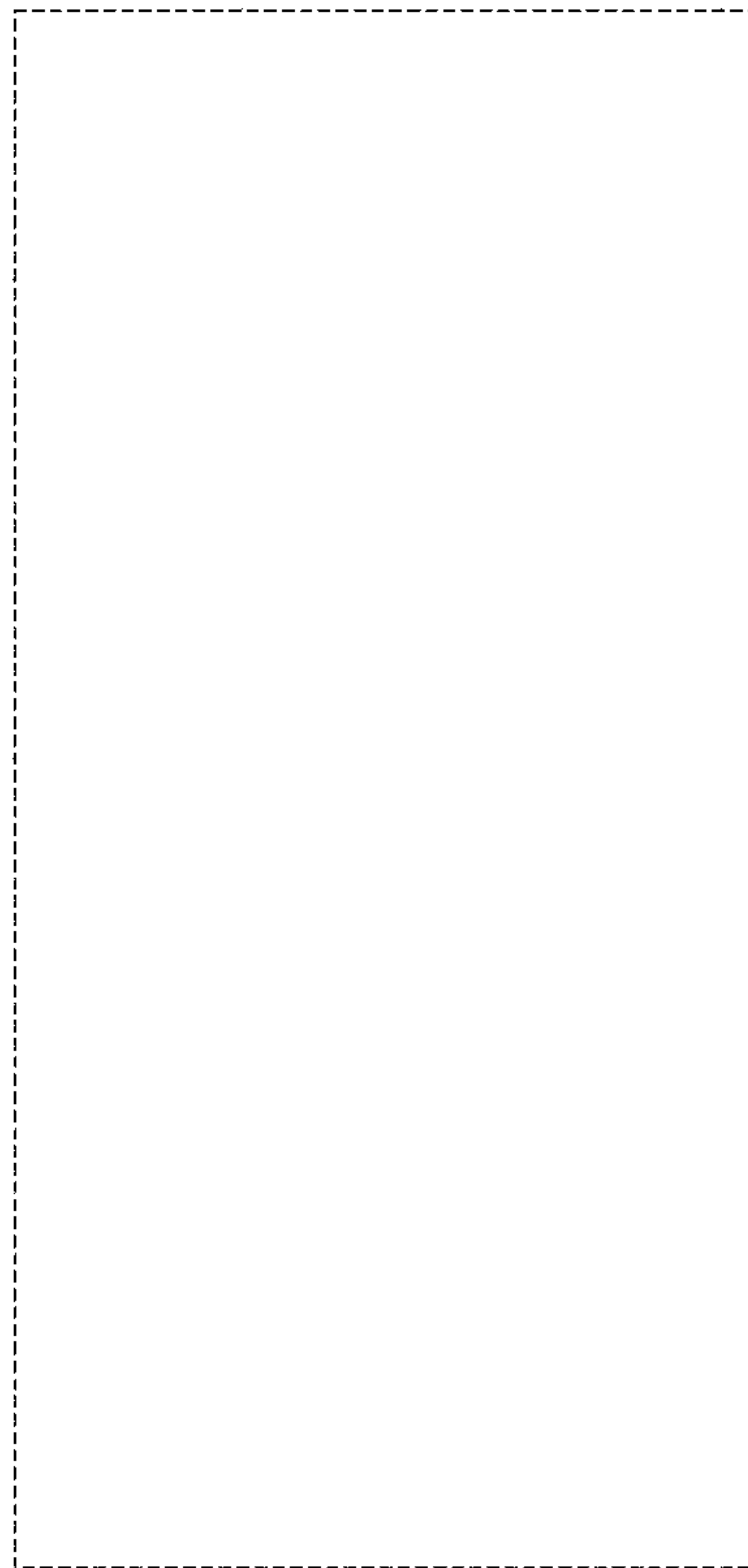


FIG. 6

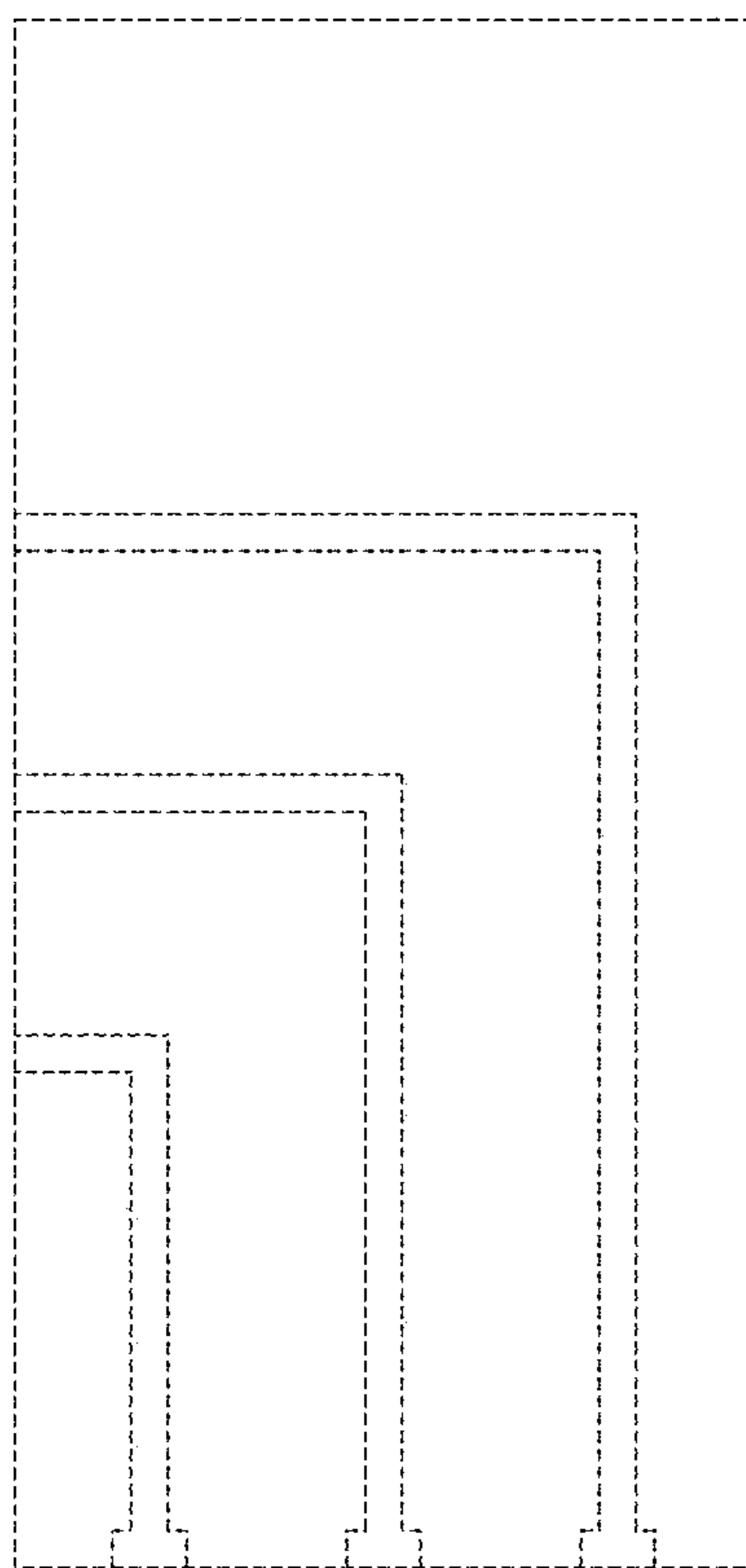


FIG. 7

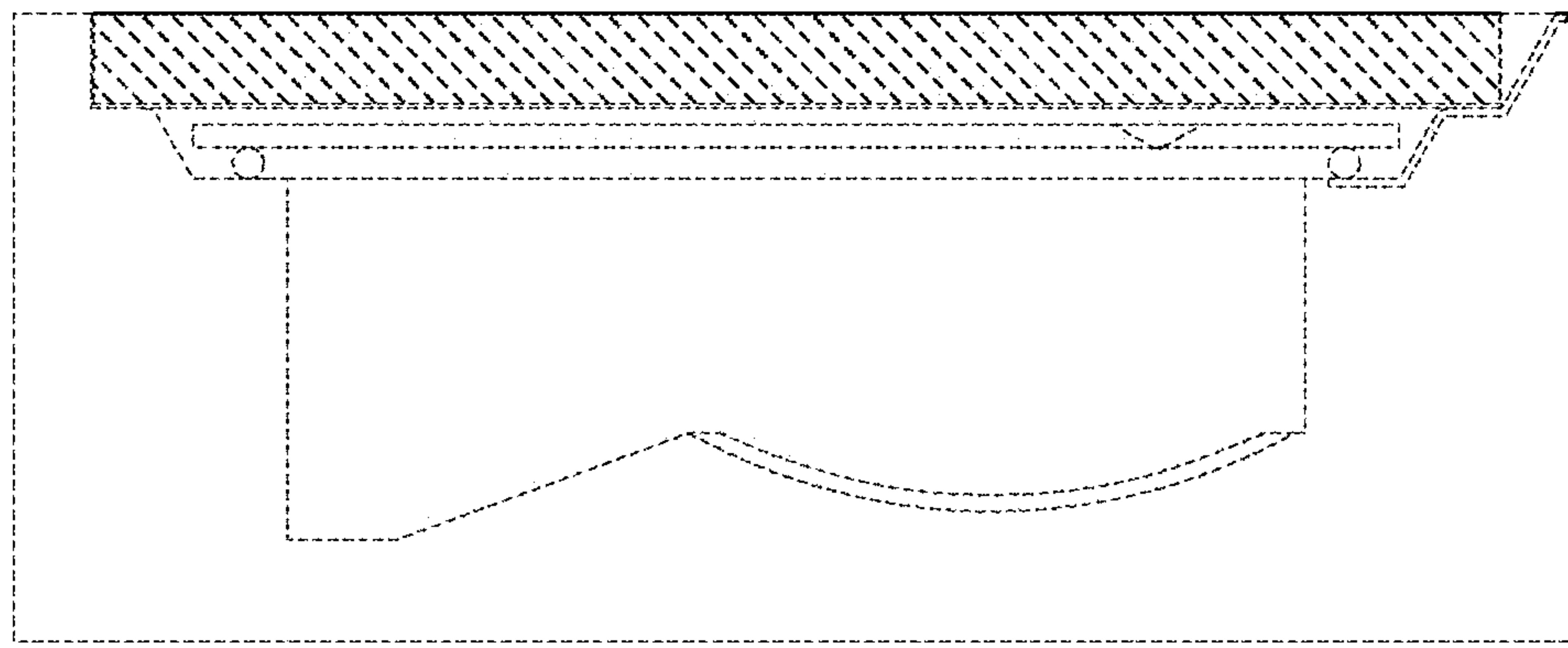


FIG. 8