



US00D913824S

(12) **United States Design Patent**  
**Panosian et al.**

(10) **Patent No.:** **US D913,824 S**  
(45) **Date of Patent:** **\*\* Mar. 23, 2021**

(54) **TAPE MEASURE**

(71) Applicant: **TOUGHBUILT INDUSTRIES, INC.**,  
Lake Forest, CA (US)

(72) Inventors: **Michael H. Panosian**, Irvine, CA (US);  
**Joshua Keeler**, Bradbury, CA (US)

(73) Assignee: **TOUGHBUILT INDUSTRIES, INC.**,  
Lake Forest, CA (US)

(\*\*) Term: **15 Years**

(21) Appl. No.: **29/691,695**

(22) Filed: **May 17, 2019**

(51) **LOC (13) Cl.** ..... **10-04**

(52) **U.S. Cl.**  
USPC ..... **D10/74**

(58) **Field of Classification Search**  
USPC ..... D10/72, 74

CPC ..... G01B 3/10; G01B 3/1002; G01B 3/1041;  
G01B 2003/1043; G01B 2003/1046;  
G01B 2003/1048; G01B 2003/1051;  
G01B 2003/1053-2003/1097; G01B  
3/1082; G01B 3/1056; G01B 3/563;  
G01B 3/566; G01B 3/1071; G01B  
2003/1089; G01B 2003/1092; G01B  
2003/1079; G01B 2003/1041; G07B 3/10  
See application file for complete search history.

(56) **References Cited**

**U.S. PATENT DOCUMENTS**

4,288,923 A 9/1981 Duda  
6,405,451 B1 6/2002 Hsu

D514,909 S 2/2006 Bosch  
D613,629 S \* 4/2010 Suzuki ..... D10/72  
8,806,770 B2 8/2014 Steele et al.  
8,898,922 B2 12/2014 Bridges et al.  
9,417,046 B2 8/2016 Steele et al.  
10,024,643 B2 7/2018 Steele et al.  
D878,941 S \* 3/2020 Cobb ..... D10/72  
2004/0035017 A1 2/2004 Yang

\* cited by examiner

*Primary Examiner* — Antoine Duval Davis

(74) *Attorney, Agent, or Firm* — Nolte Lackenbach  
Siegel; Myron Greenspan

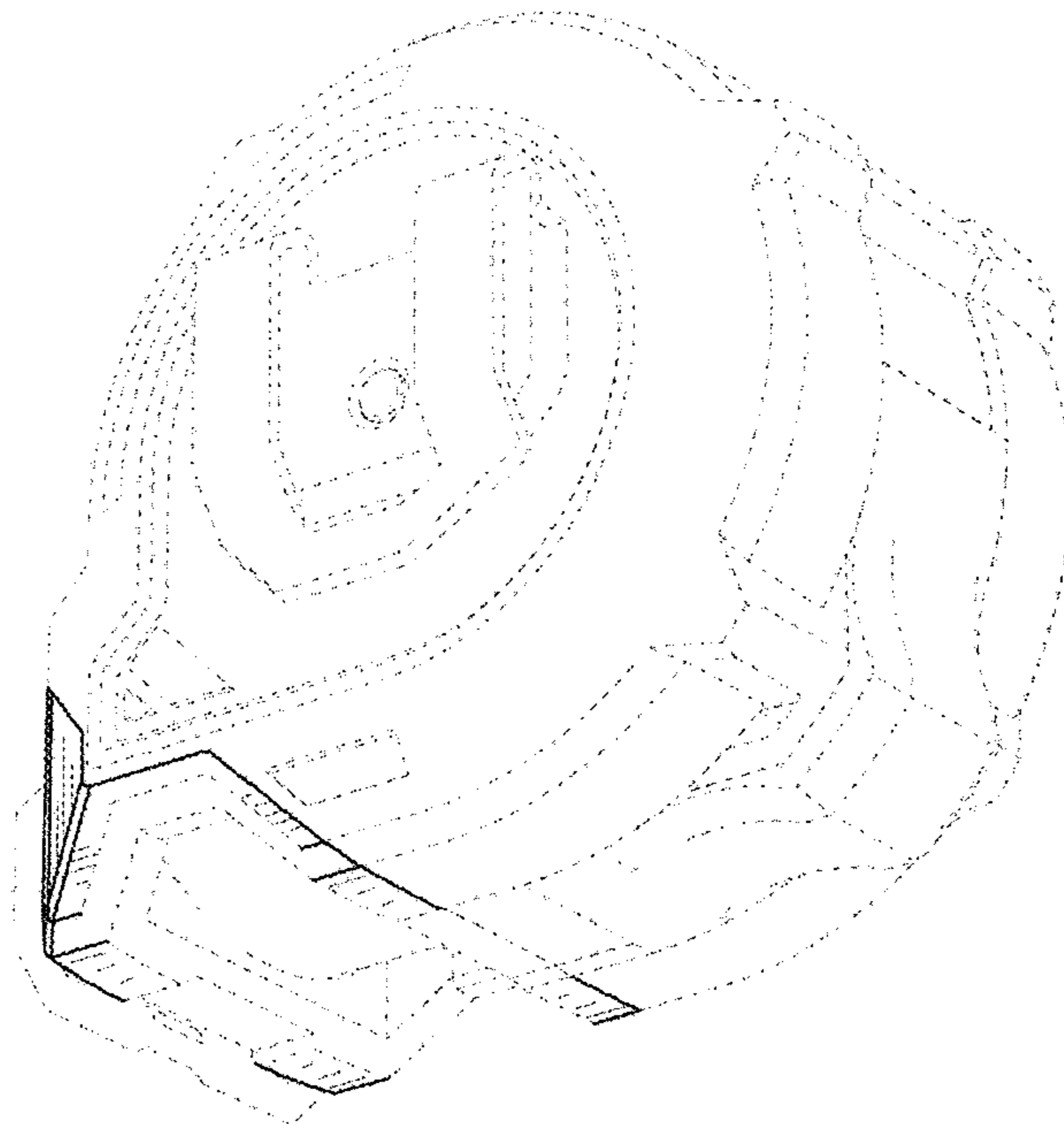
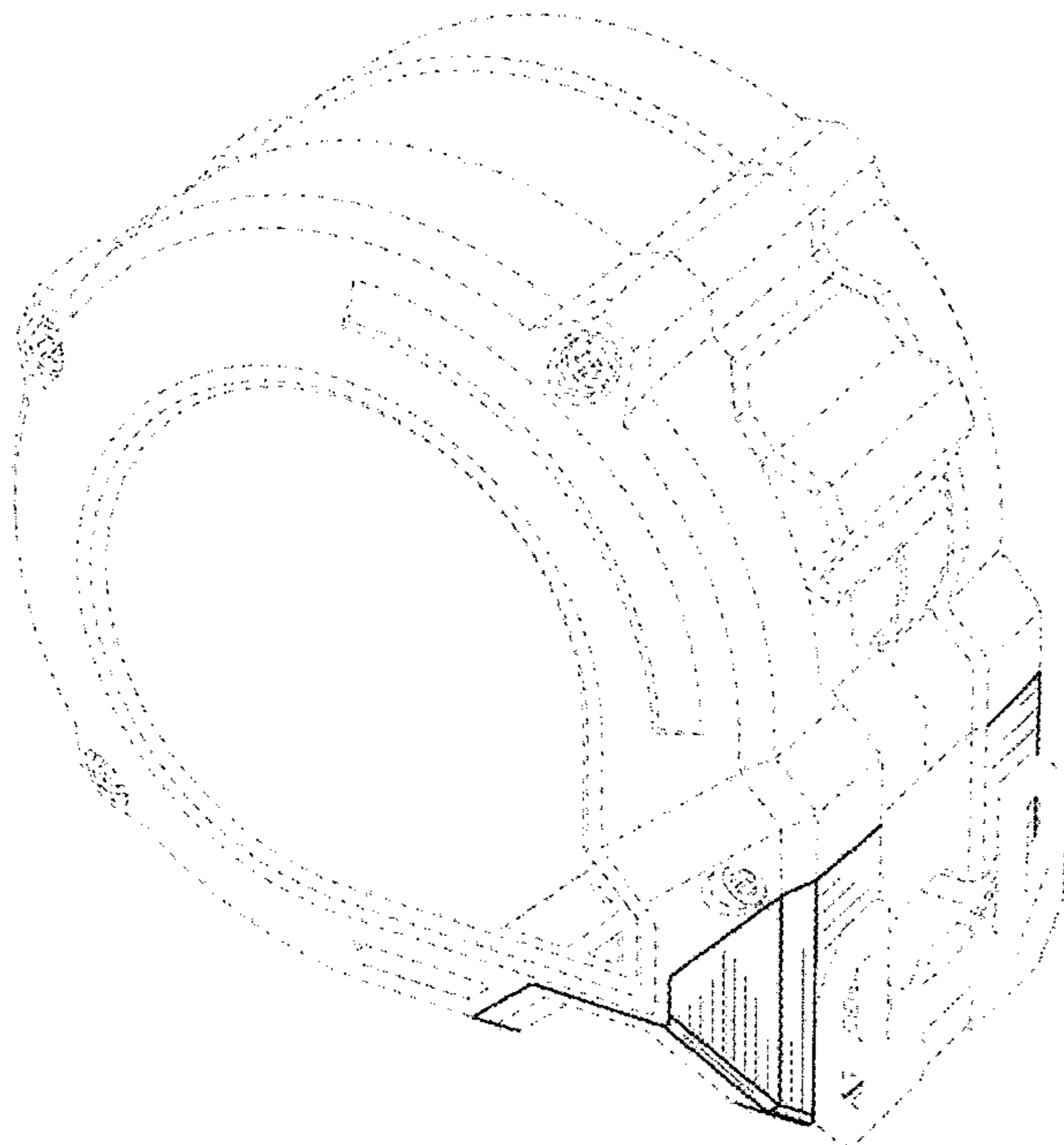
(57) **CLAIM**

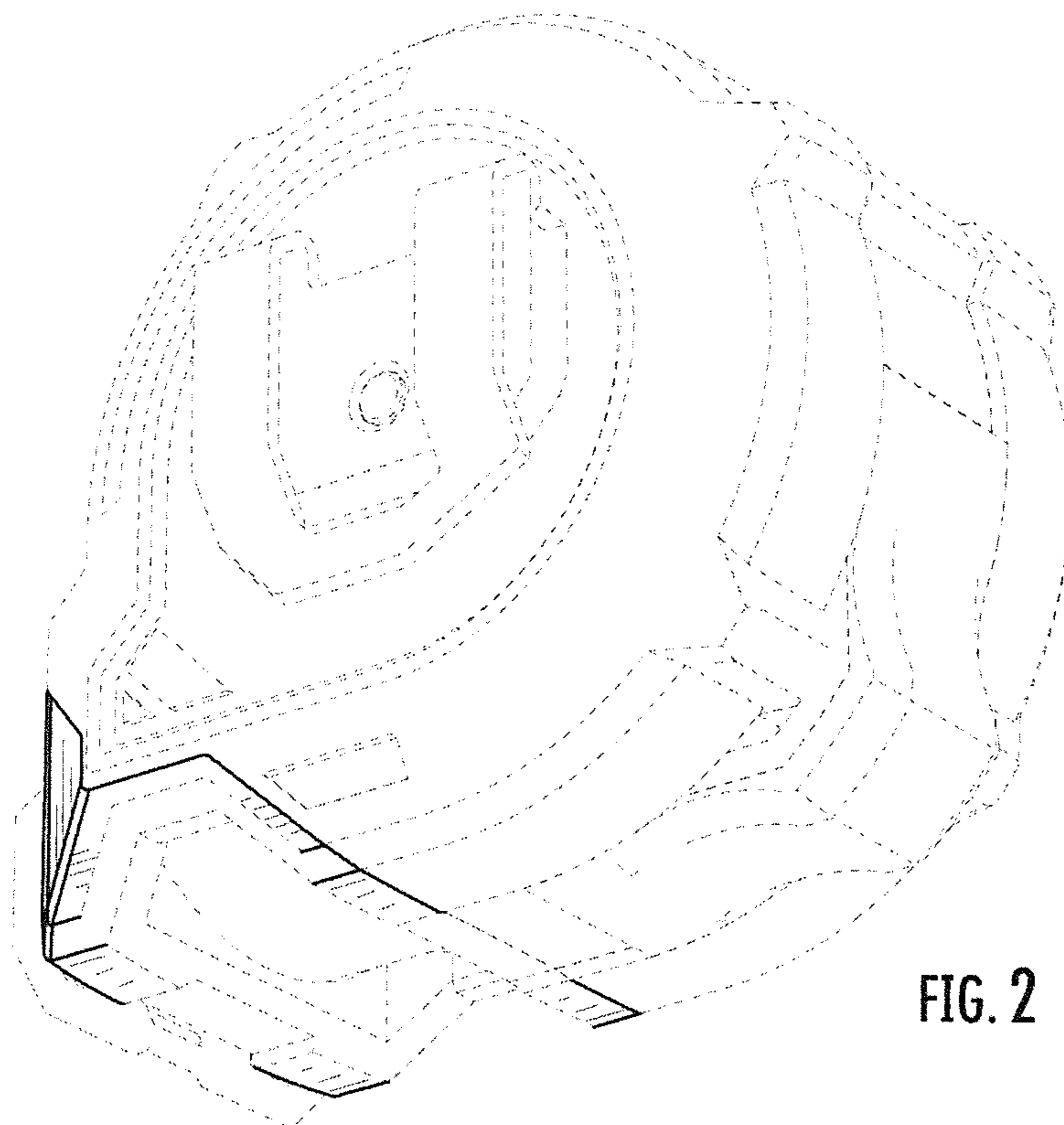
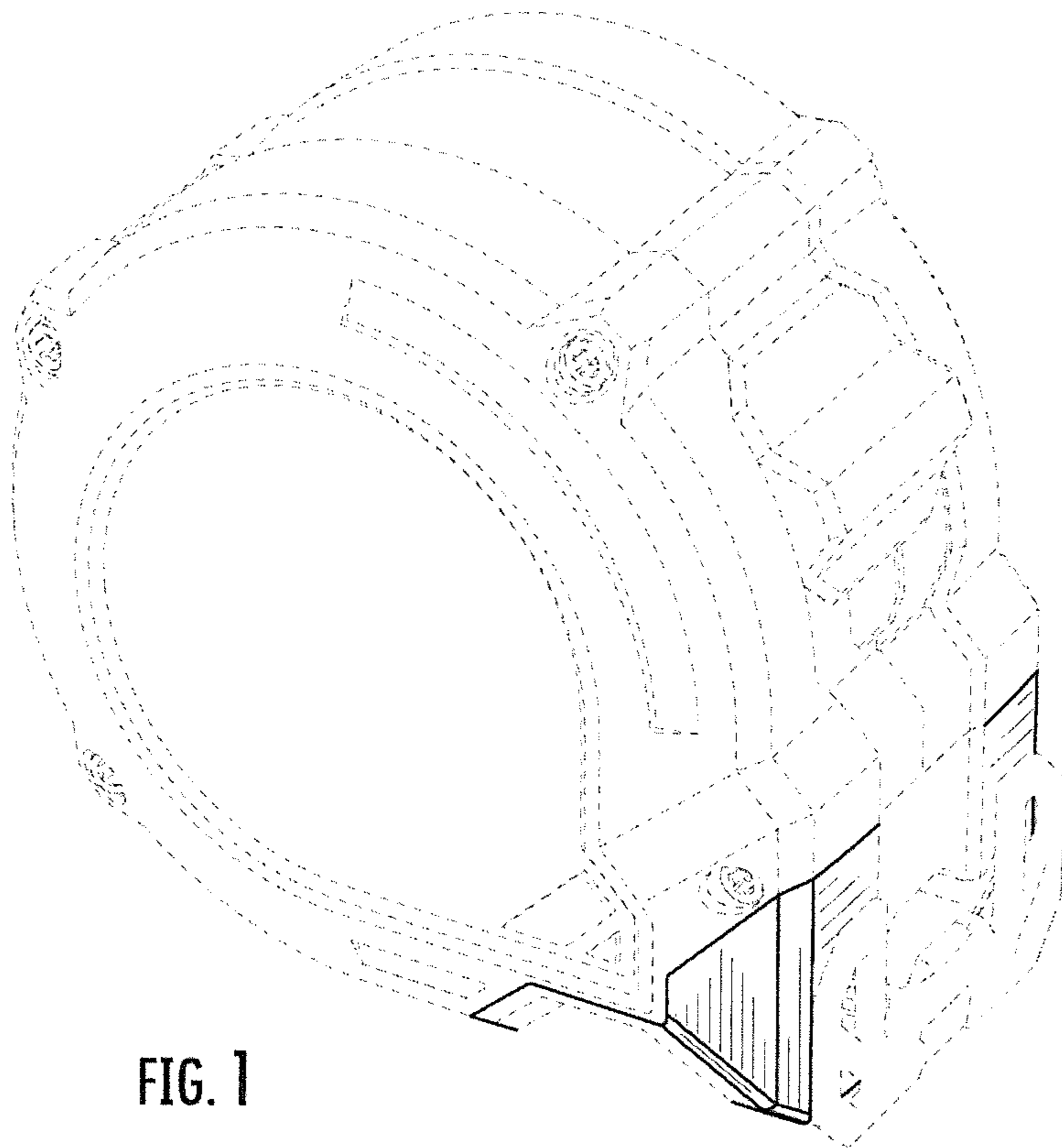
The ornamental design of a tape measure, as shown and described.

**DESCRIPTION**

FIG. 1 is a top-front perspective view of a tape measure showing our new design;  
FIG. 2 is a bottom rear perspective view of the tape measure shown in FIG. 1;  
FIG. 3 is a left side elevational view thereof;  
FIG. 4 is a right side elevational view thereof;  
FIG. 5 is a front elevational view thereof;  
FIG. 6 is a rear elevational view thereof;  
FIG. 7 is a top plan view thereof; and,  
FIG. 8 is a bottom plan view thereof.  
The dashed lines shown in the figures represent environmental subject matter and form no part of the claimed design.

**1 Claim, 4 Drawing Sheets**





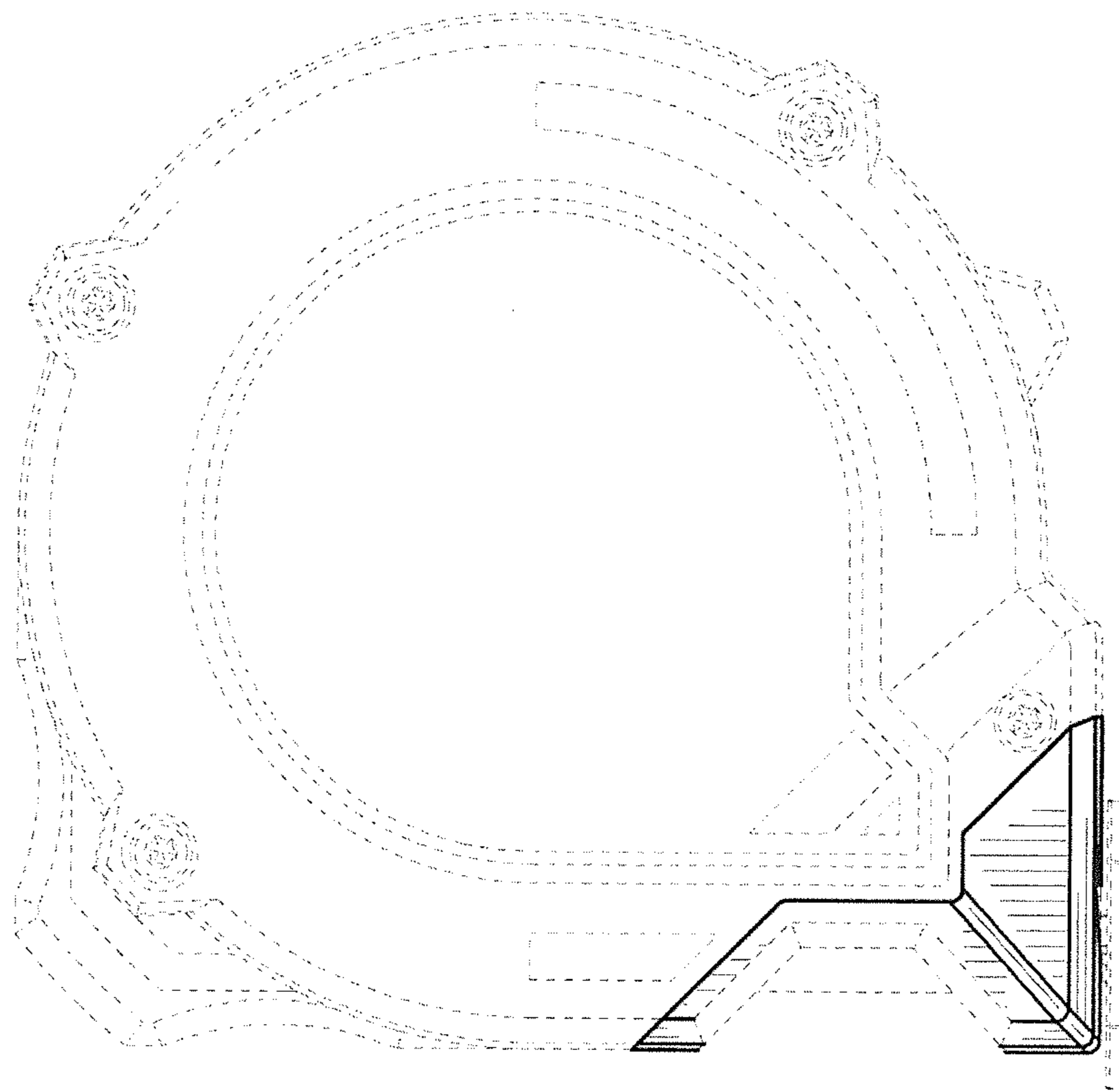


FIG. 3

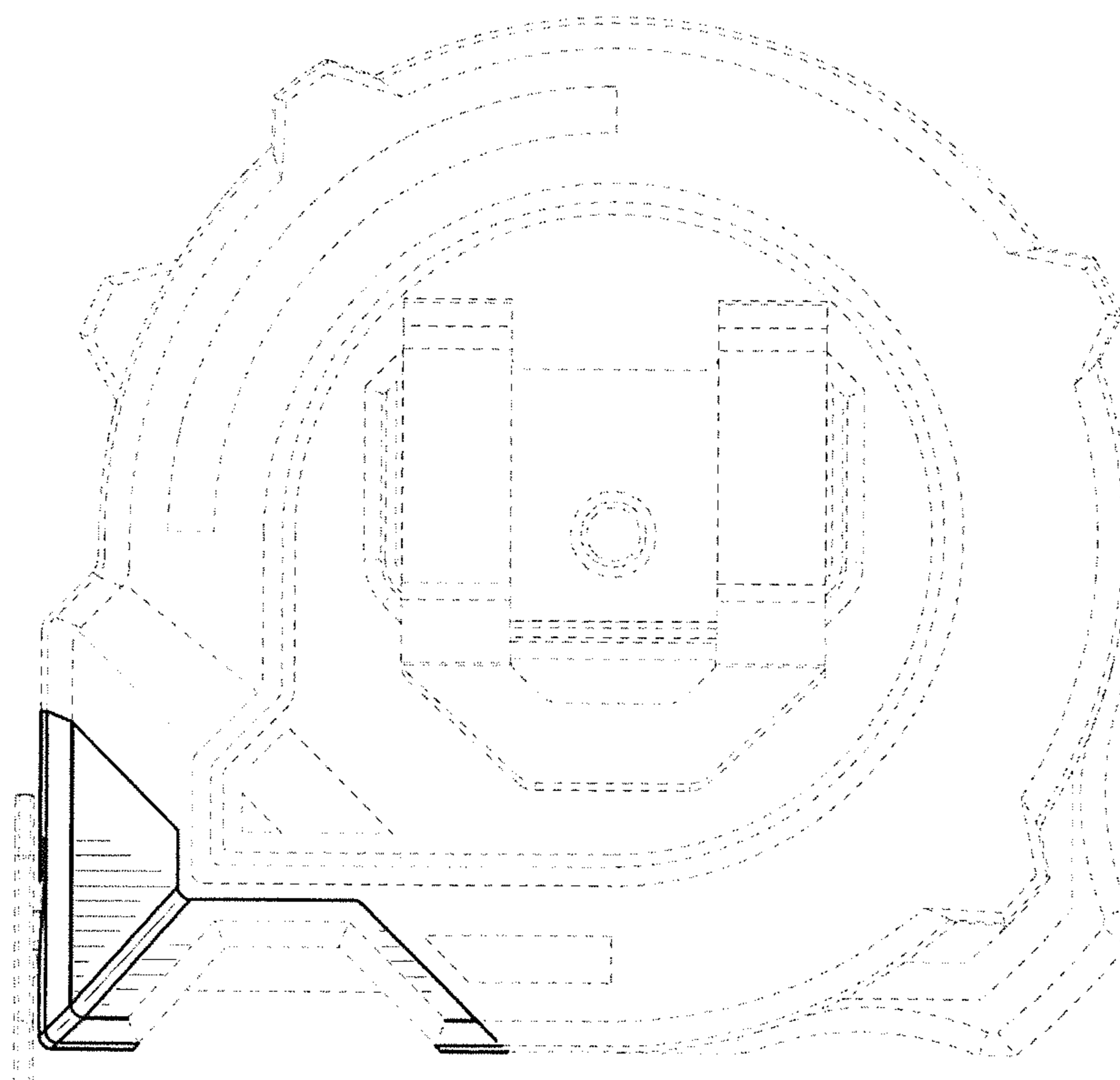


FIG. 4

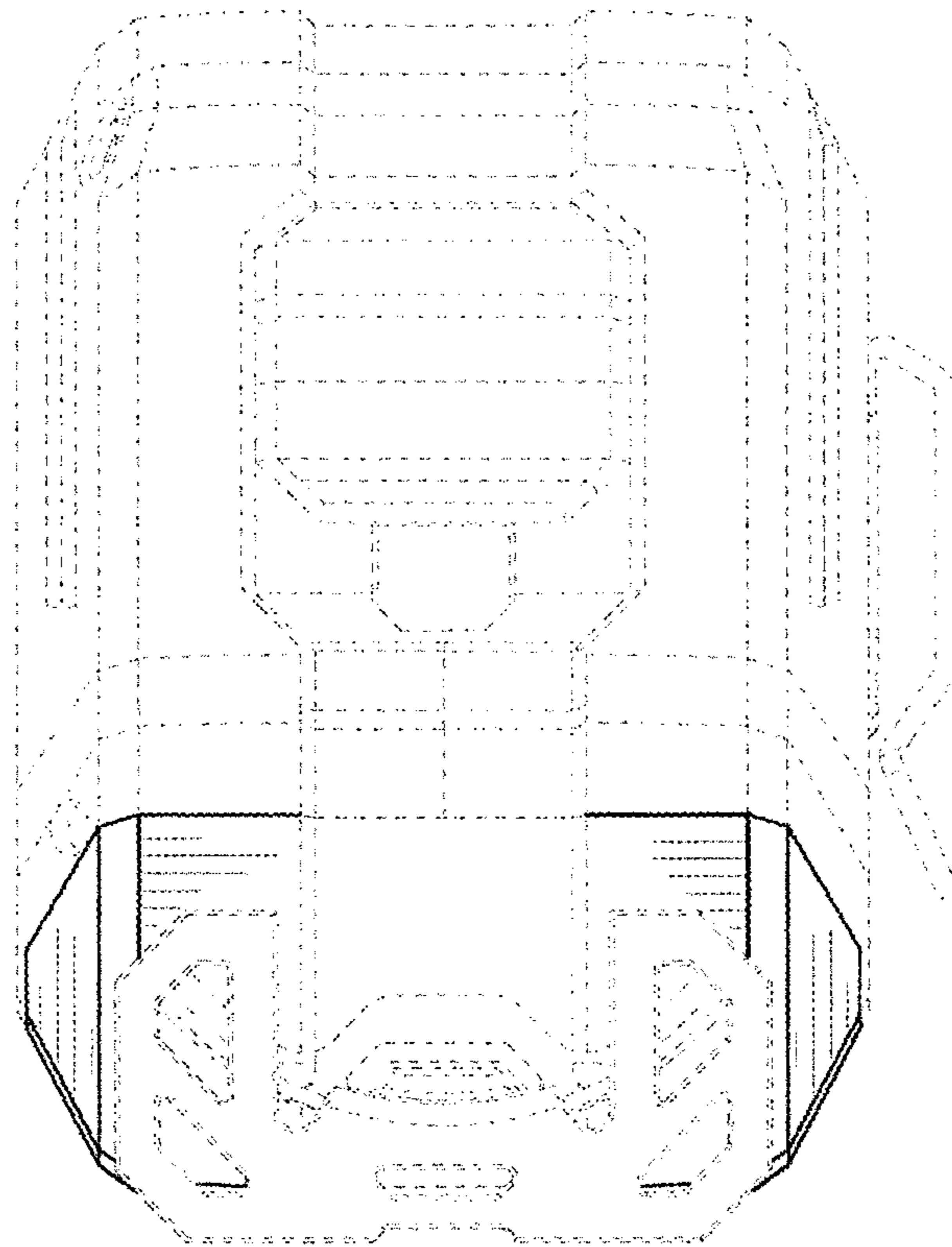


FIG. 5

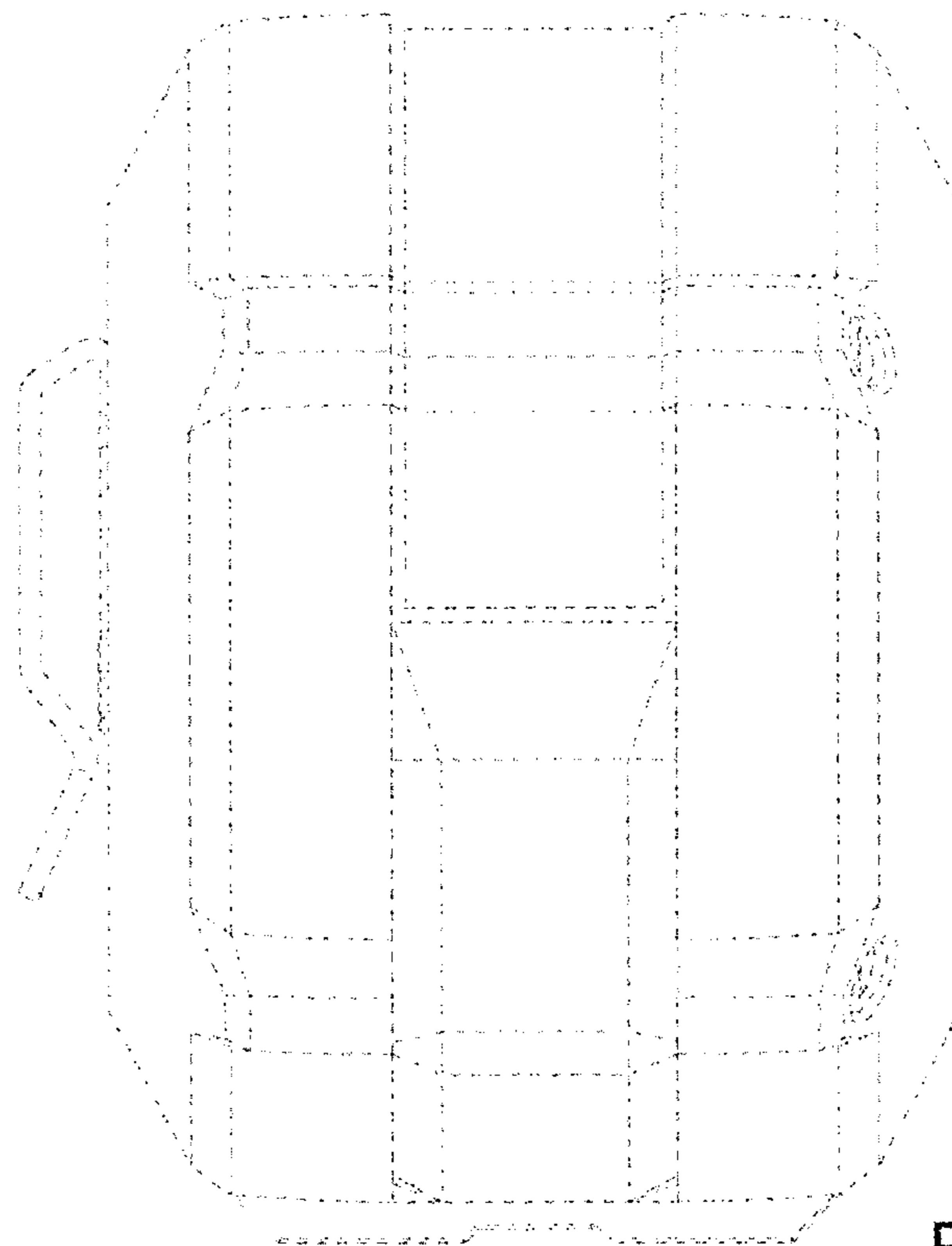


FIG. 6

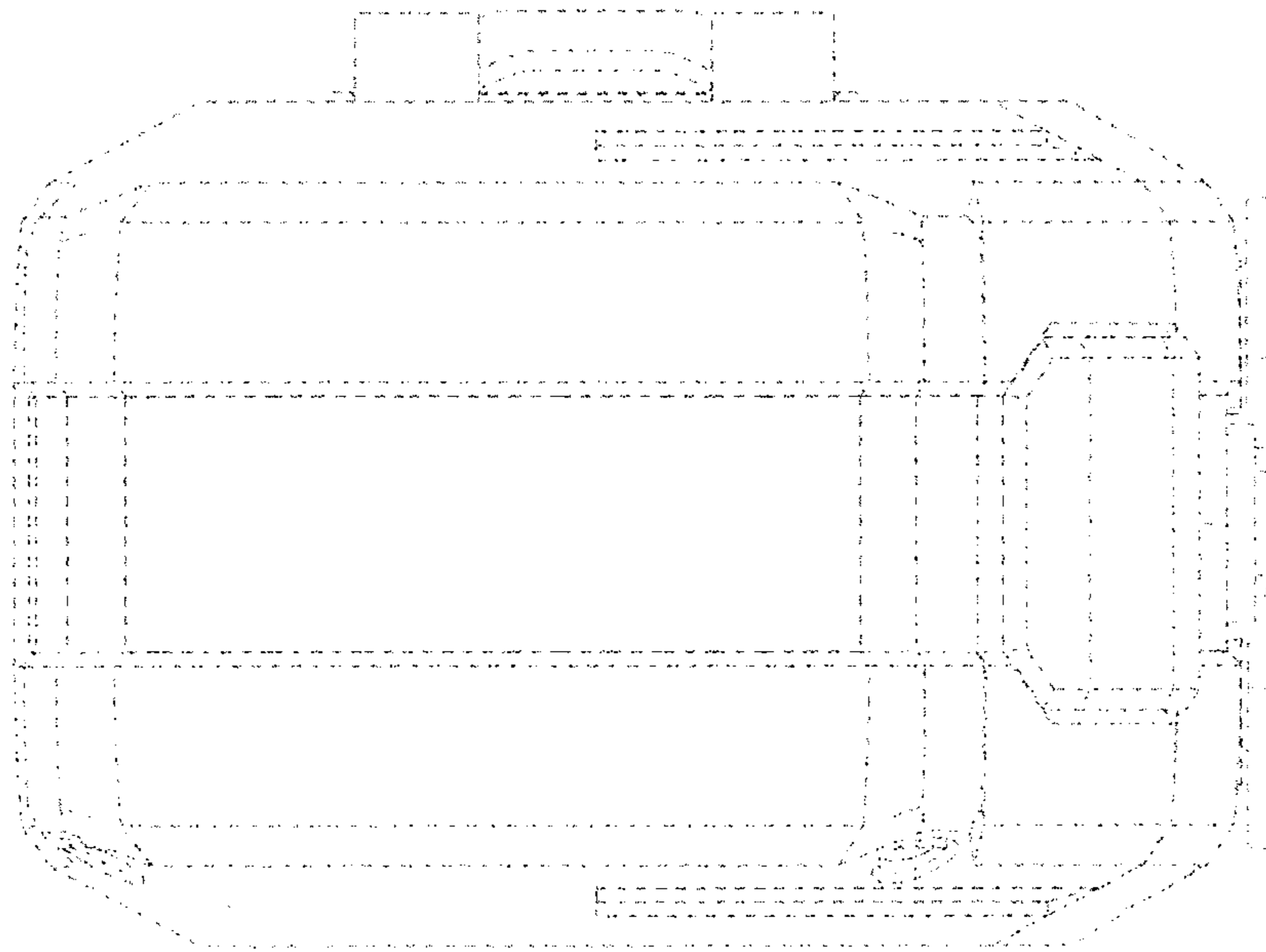


FIG. 7

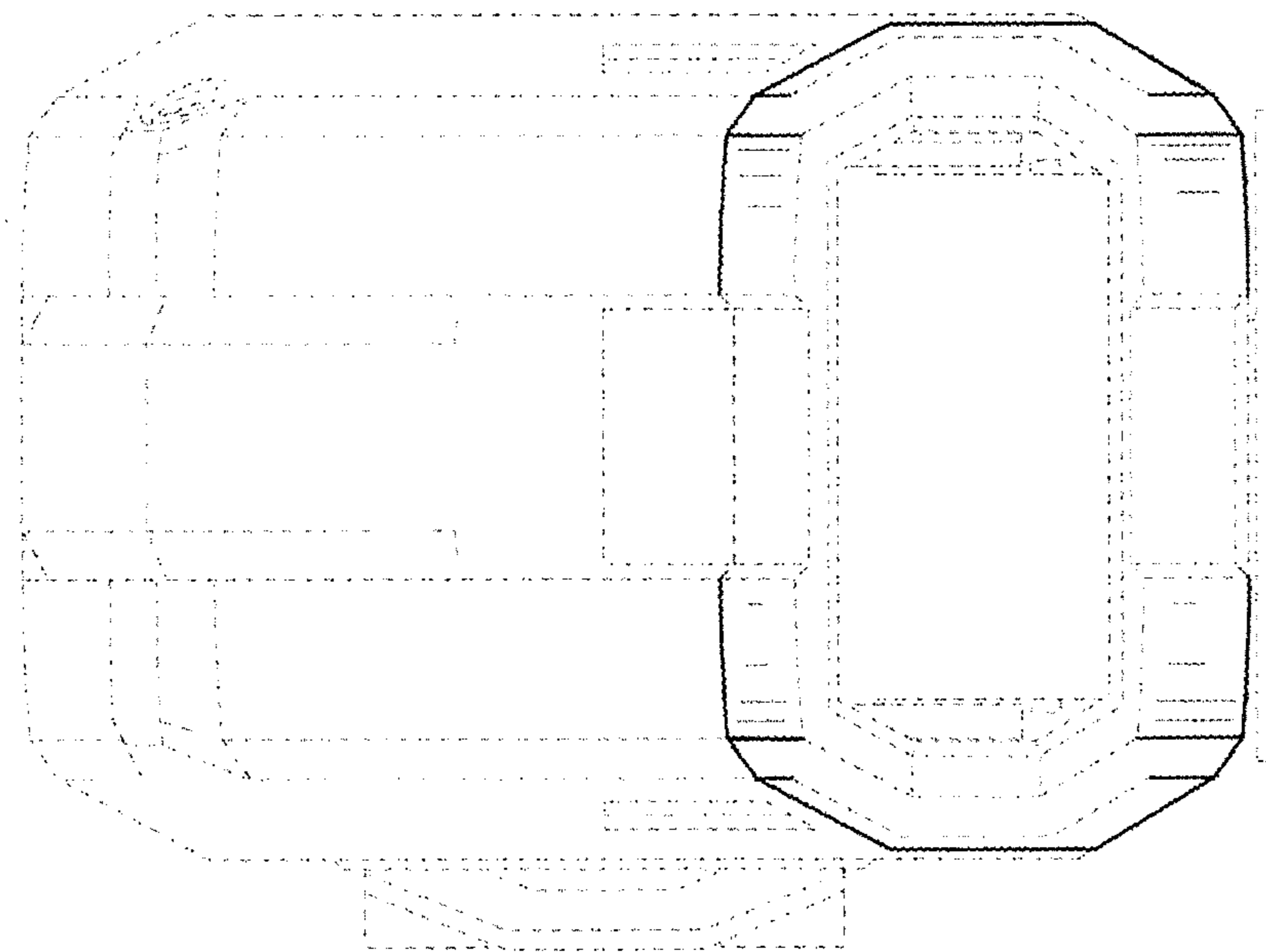


FIG. 8