



US00D913823S

(12) **United States Design Patent**
Panosian et al.

(10) **Patent No.:** **US D913,823 S**
(45) **Date of Patent:** **** Mar. 23, 2021**

(54) **TAPE MEASURE**

(71) Applicant: **TOUGHBUILT INDUSTRIES, INC.**,
Lake Forest, CA (US)

(72) Inventors: **Michael H. Panosian**, Irvine, CA (US);
Joshua Keeler, Bradbury, CA (US)

(73) Assignee: **TOUGHBUILT INDUSTRIES, INC.**,
Lake Forest, CA (US)

(**) Term: **15 Years**

(21) Appl. No.: **29/691,694**

(22) Filed: **May 17, 2019**

(51) **LOC (13) Cl.** **10-04**

(52) **U.S. Cl.**
USPC **D10/74**

(58) **Field of Classification Search**
USPC D10/72, 74
CPC G01B 3/10; G01B 3/1002; G01B 3/1041;
G01B 2003/1043; G01B 2003/1046;
G01B 2003/1048; G01B 2003/1051;
G01B 2003/1053-1097; G01B 3/1082;
G01B 3/1056; G01B 3/563; G01B 3/566;
G01B 3/1071; G01B 2003/1089; G01B
2003/1092; G01B 2003/1079; G01B
2003/1041; G01B 2003/1084; G07B 3/10
See application file for complete search history.

(56) **References Cited**

U.S. PATENT DOCUMENTS

4,288,923 A 9/1981 Duda
6,405,451 B1 6/2002 Hsu

D514,909 S 2/2006 Bosch
D568,188 S * 5/2008 Chen D10/72
D613,629 S * 4/2010 Suzuki D10/72
8,806,770 B2 8/2014 Steele et al.
8,898,922 B2 12/2014 Bridges et al.
9,417,046 B2 8/2016 Steele et al.
10,024,643 B2 7/2018 Steele et al.
D867,181 S * 11/2019 Day D10/72
2004/0035017 A1 2/2004 Yang

* cited by examiner

Primary Examiner — Antoine Duval Davis

(74) *Attorney, Agent, or Firm* — Nolte Lackenback
Siegel; Myron Greenspan

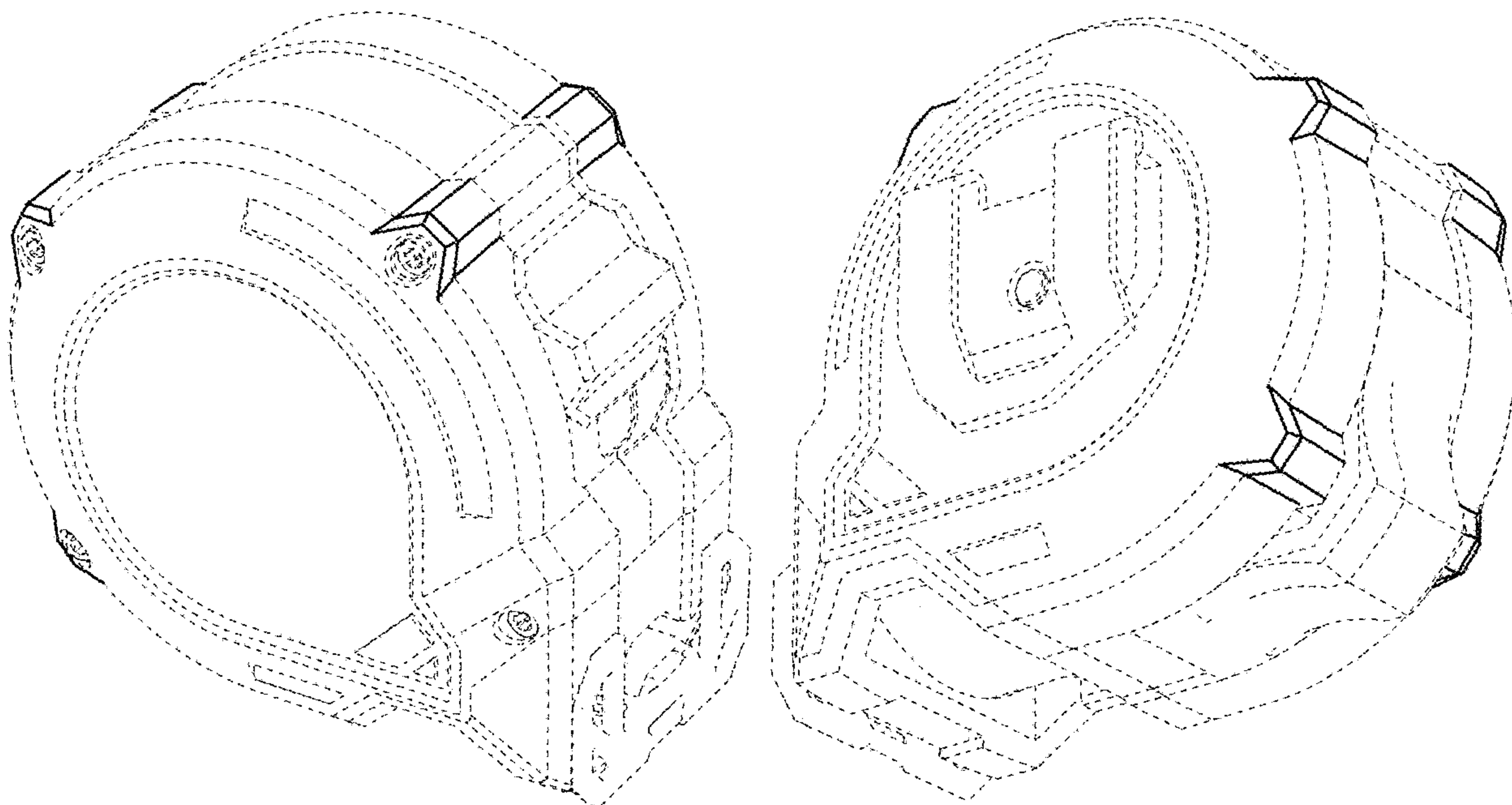
(57) **CLAIM**

The ornamental design of a tape measure, as shown and described.

DESCRIPTION

FIG. 1 is a top-front perspective view of a tape measure showing our new design;
FIG. 2 is a bottom rear perspective view of the tape measure shown in FIG. 1;
FIG. 3 is a left side elevational view thereof;
FIG. 4 is a right side elevational view thereof;
FIG. 5 is a front elevational view thereof;
FIG. 6 is a rear elevational view thereof;
FIG. 7 is a top plan view thereof; and,
FIG. 8 is a bottom plan view thereof.
The dashed lines shown in the figures represent environmental subject matter and form no part of the claimed design.

1 Claim, 4 Drawing Sheets



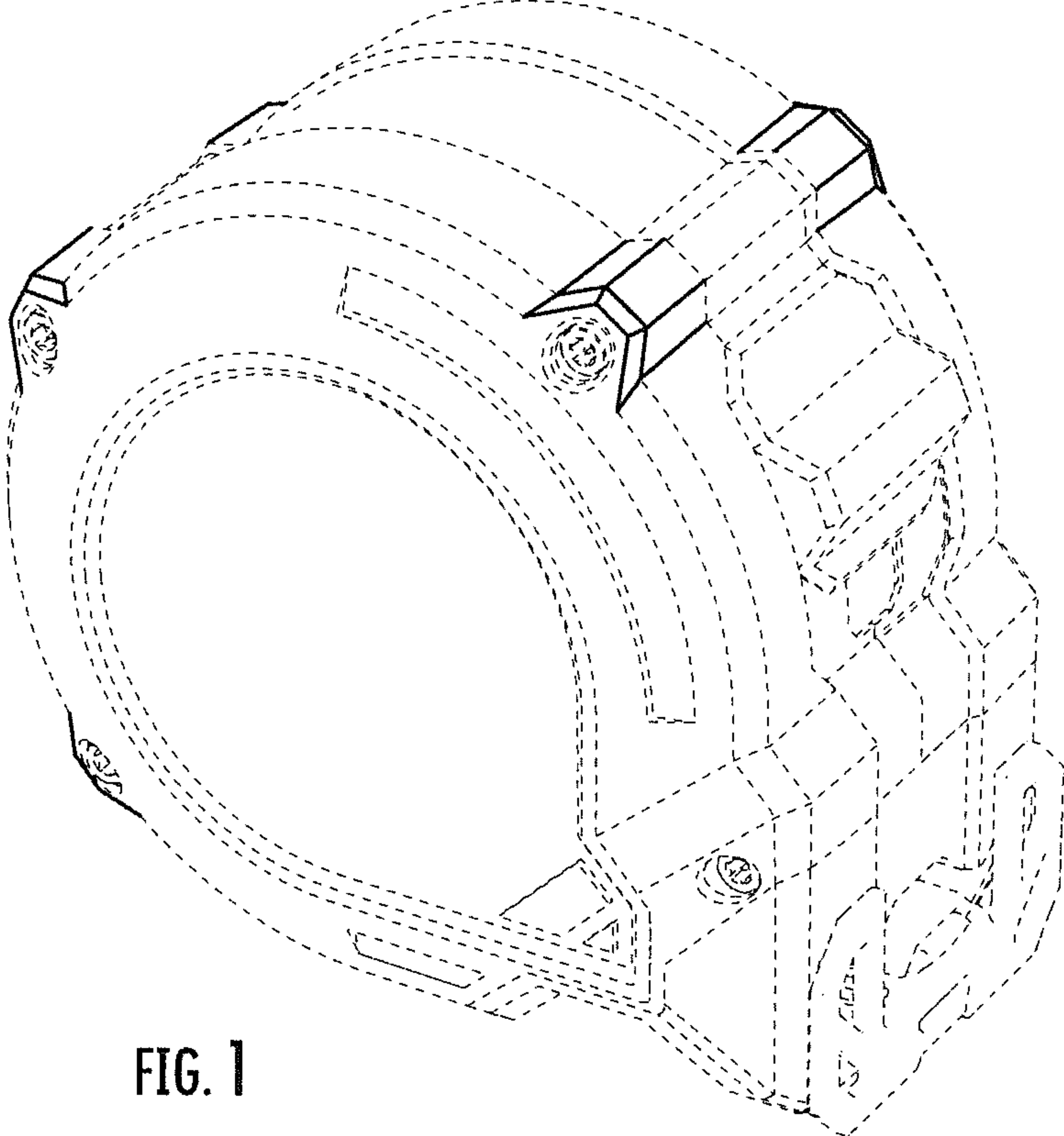


FIG. 1

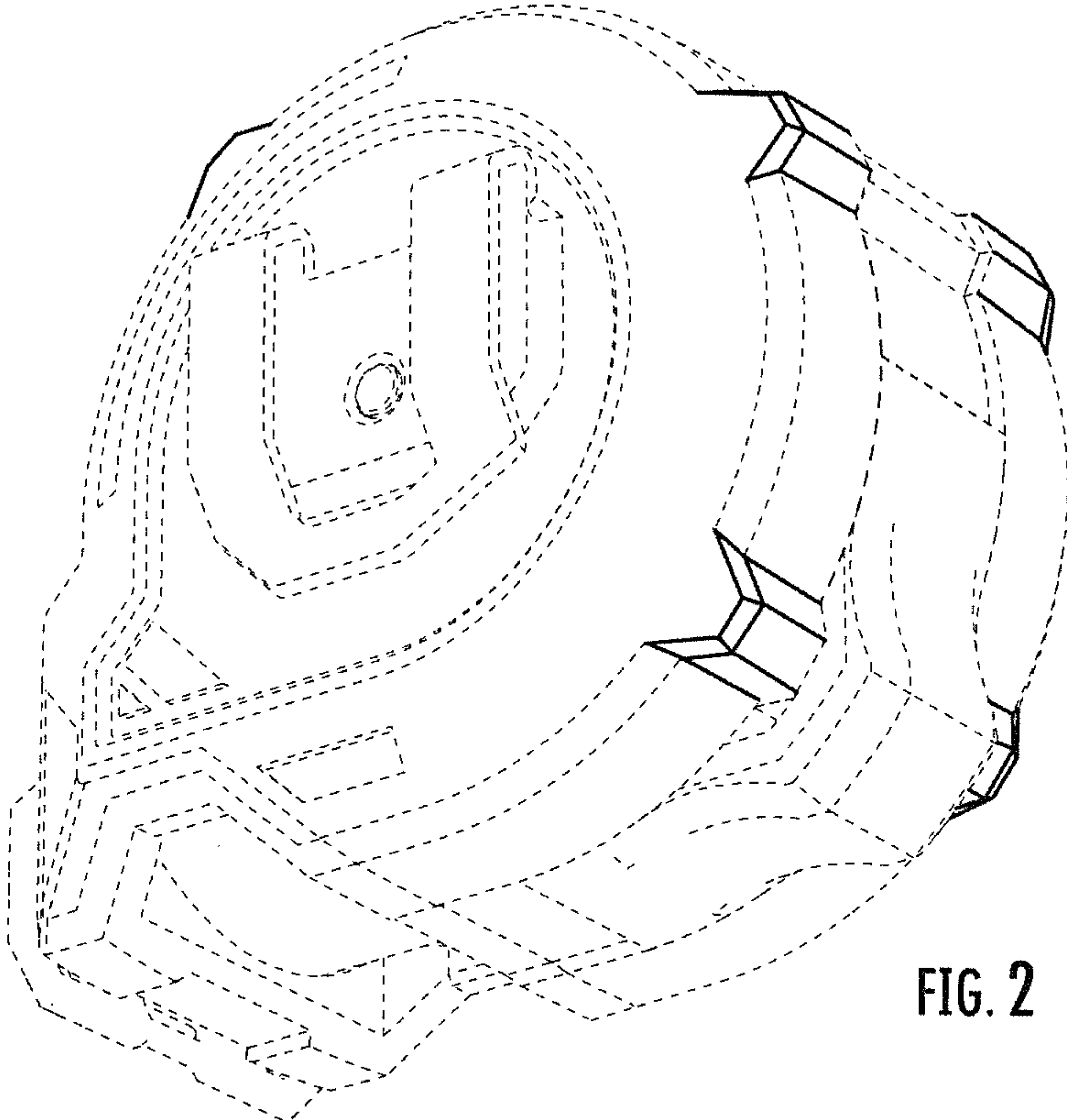


FIG. 2

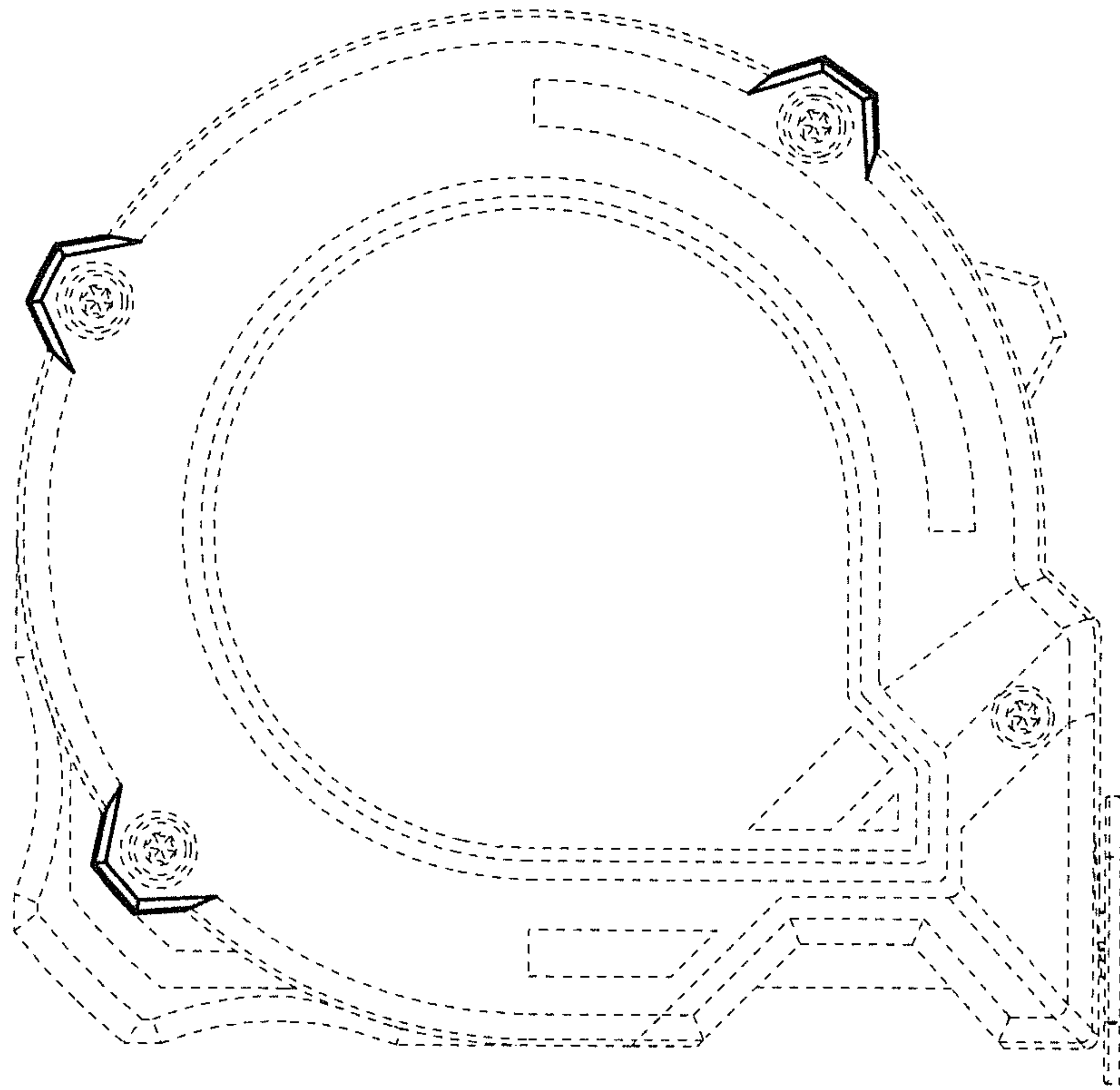


FIG. 3

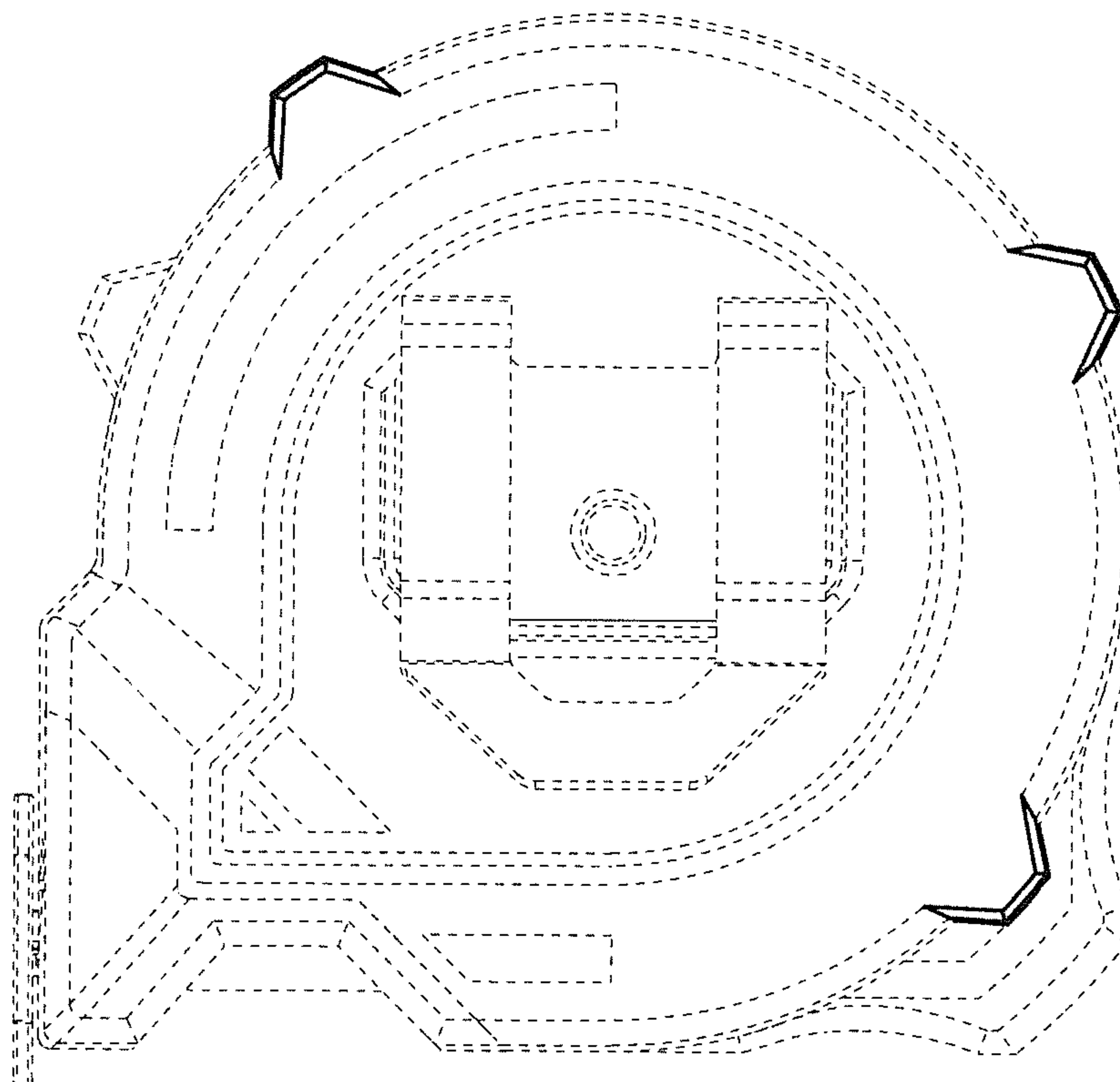


FIG. 4

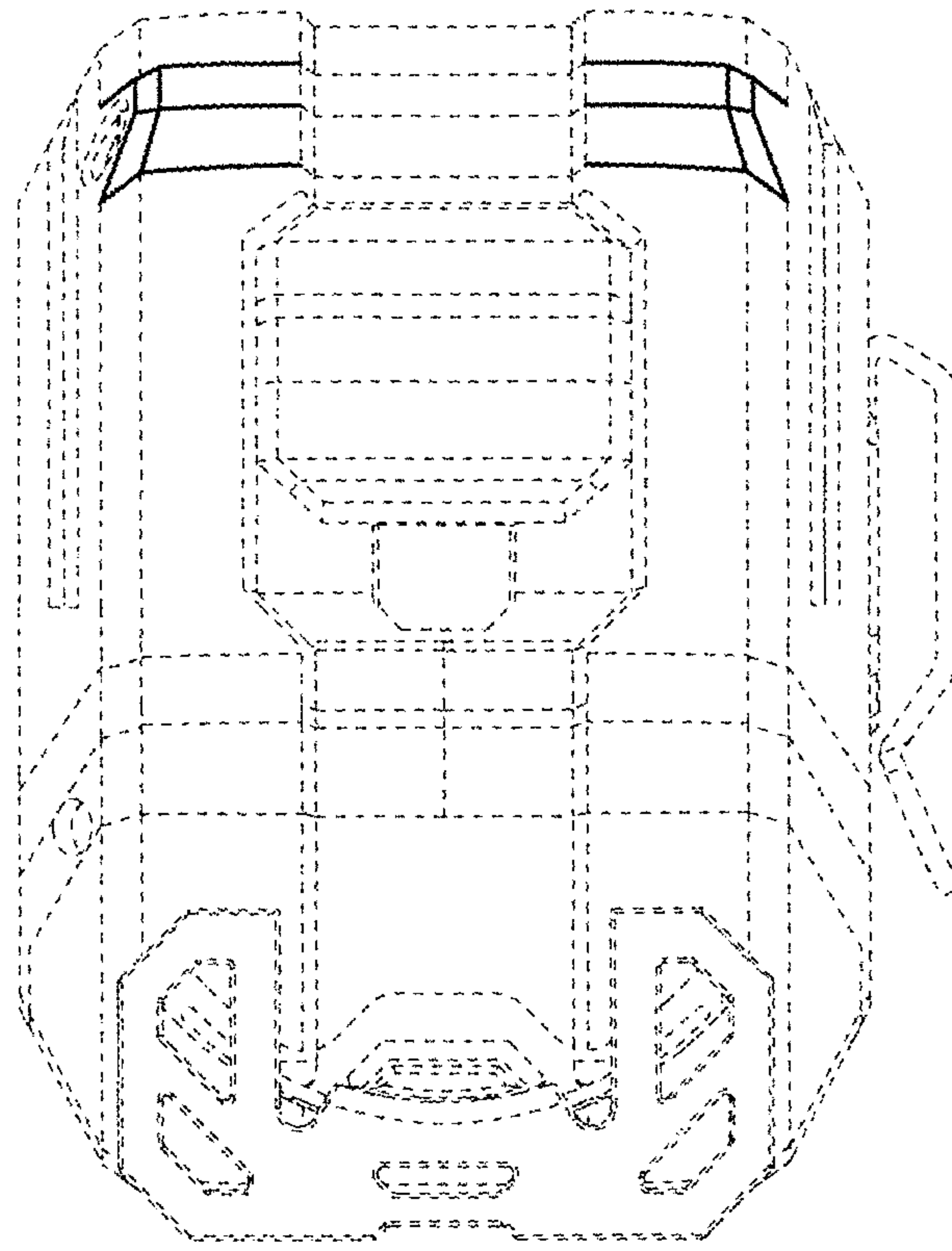


FIG. 5

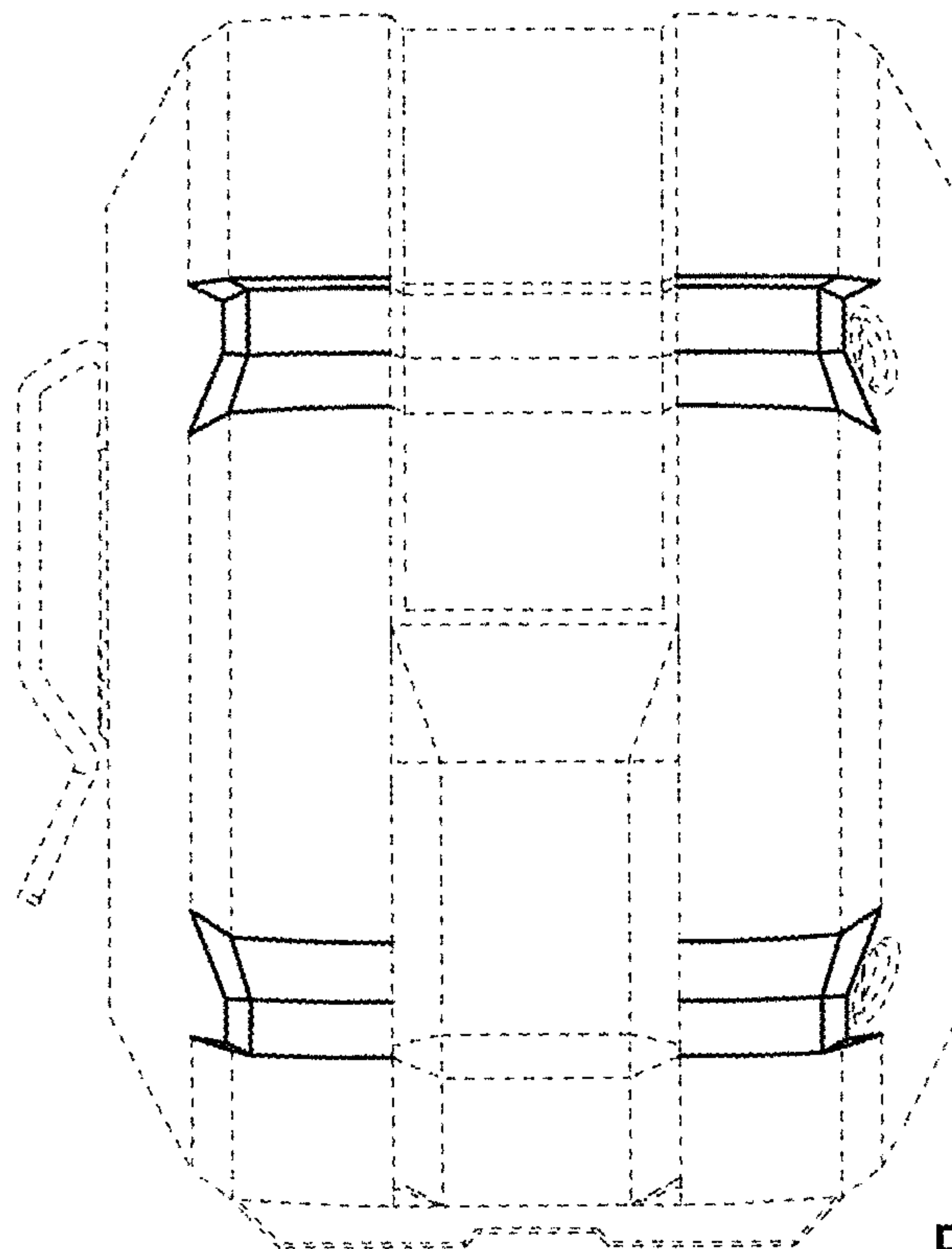


FIG. 6

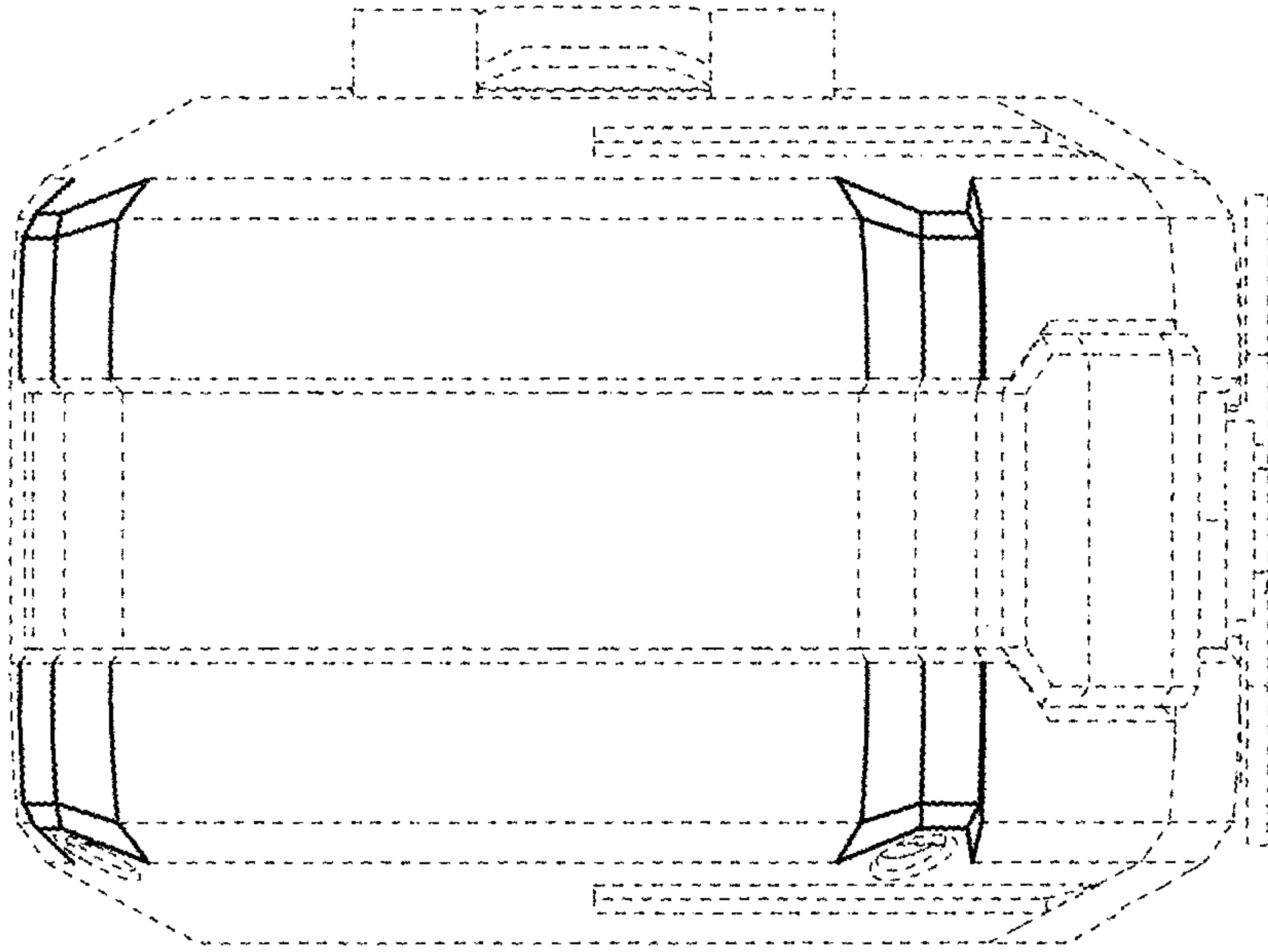


FIG. 7

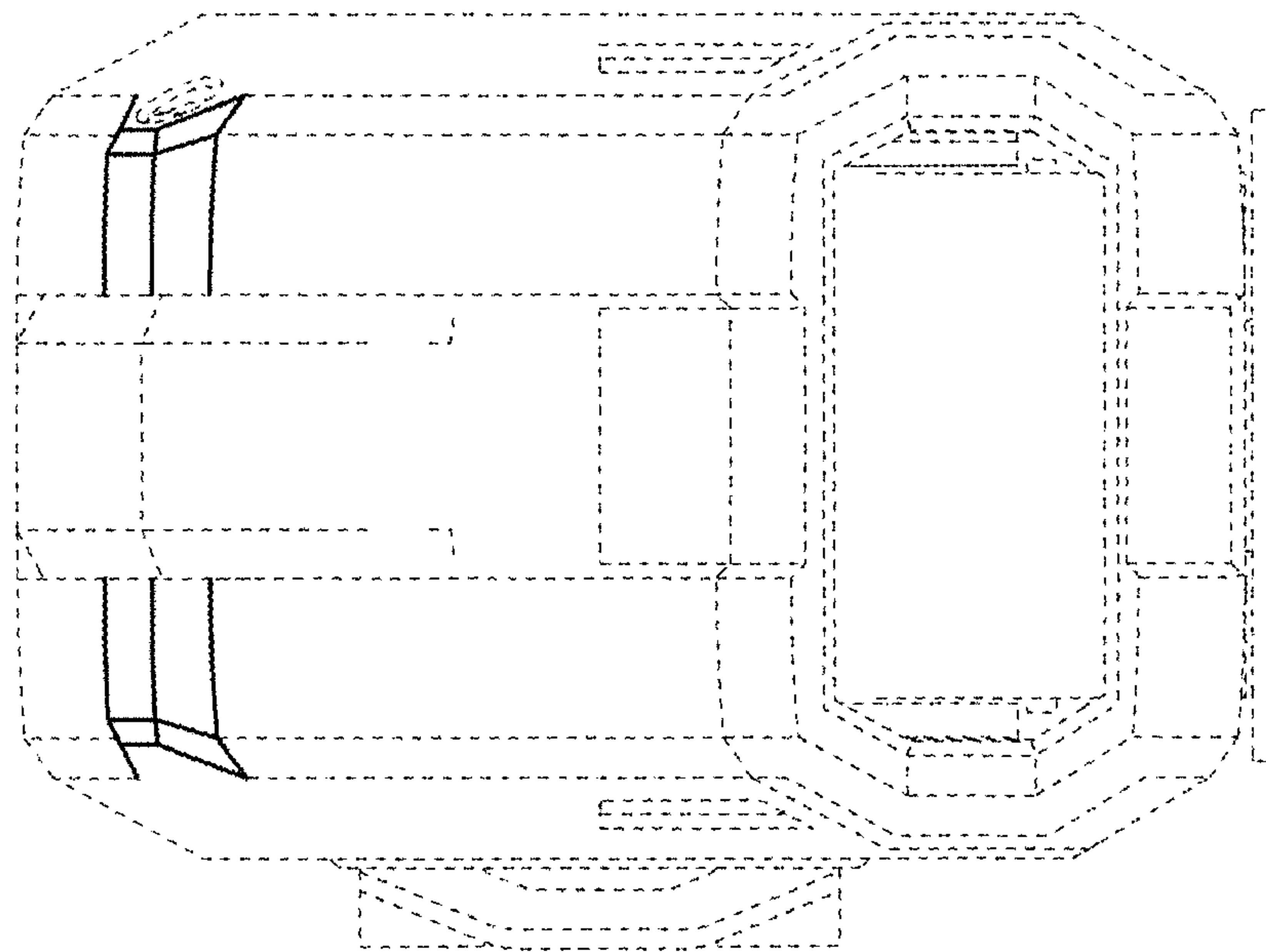


FIG. 8