



US00D913821S

(12) **United States Design Patent**
Behnke

(10) **Patent No.:** **US D913,821 S**
(45) **Date of Patent:** **** Mar. 23, 2021**

(54) **SENSOR LEN**

(71) Applicant: **BLP Technologies, Inc.**, Essex, CT
(US)

(72) Inventor: **David Michael Behnke**, Higganum, CT
(US)

(**) Term: **15 Years**

(21) Appl. No.: **29/665,694**

(22) Filed: **Oct. 5, 2018**

(51) **LOC (13) Cl.** **10-04**

(52) **U.S. Cl.**
USPC **D10/74; D10/103**

(58) **Field of Classification Search**
USPC D10/46, 74, 103
CPC .. G01P 13/00; G01P 13/0006; G01P 13/0013;
G01P 13/002; G01P 13/0026; G01P
13/0033; G01P 13/004; G01P 13/0046;
G01P 13/0053; G01P 13/006; G01P
13/0066; G01P 13/0073; G01P 13/008;
G01P 13/0086; G01P 13/0093; G08B
21/00; G08B 21/02; G08B 21/0202;
G08B 21/0205; G08B 21/0208; G08B
21/0211; G08B 21/0213; G08B 21/0216;
G08B 21/0219; G08B 21/0222; G08B
21/0225; G08B 21/0227; G08B 21/023;
G08B 21/0233; G08B 21/0236; G08B
21/0238; G08B 21/0241; G08B 21/0244;
(Continued)

(56) **References Cited**

U.S. PATENT DOCUMENTS

D383,990 S * 9/1997 Ropponen D10/103
D399,443 S * 10/1998 Stoica D10/74
(Continued)

Primary Examiner — Antoine Duval Davis

(74) *Attorney, Agent, or Firm* — Steven M. McHugh

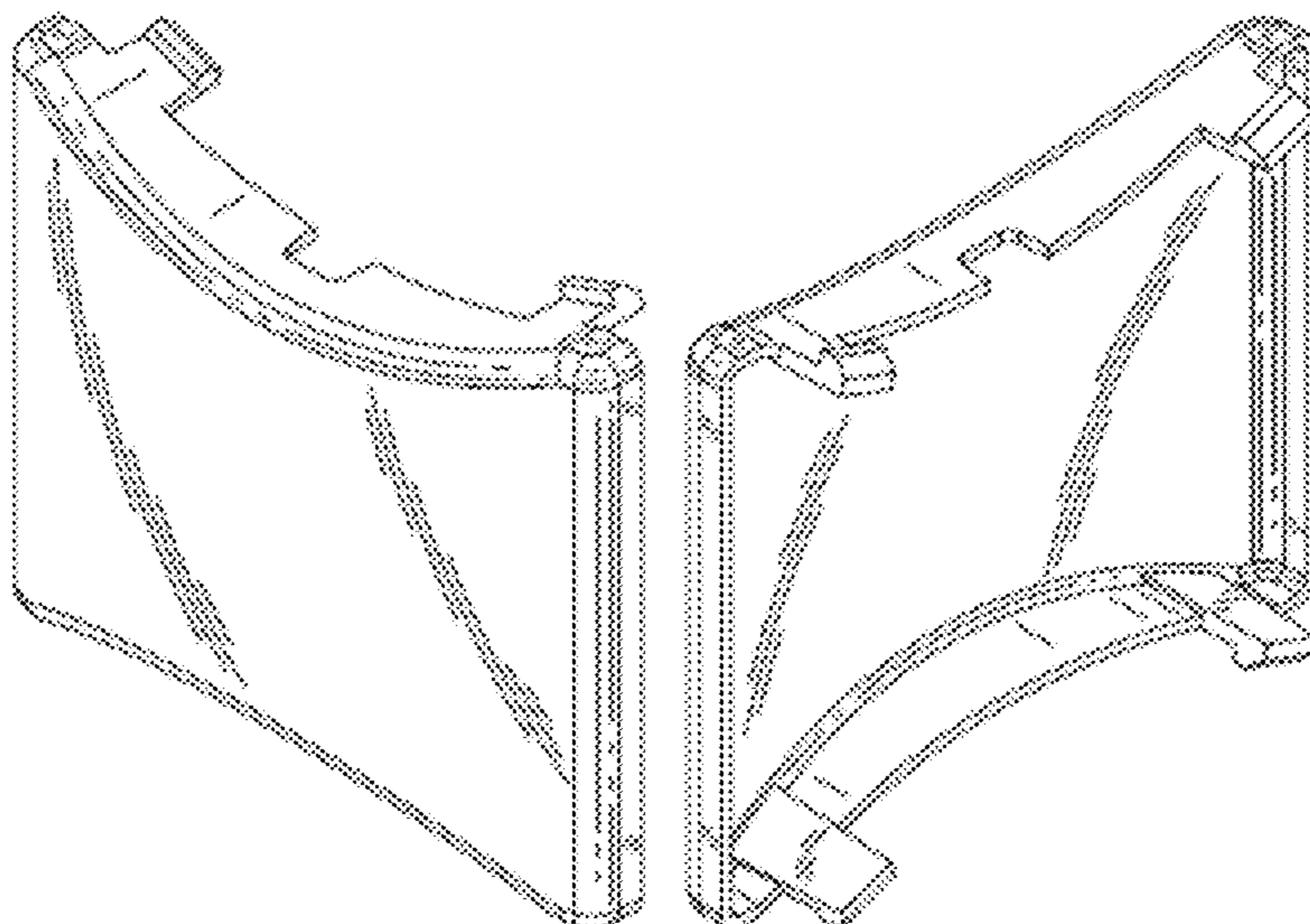
(57) **CLAIM**

The ornamental design for a sensor len, as shown.

DESCRIPTION

FIG. 1 is a top left front-side perspective view of a sensor len, in accordance with one embodiment of the invention. FIG. 2 is a top left rear-side perspective view of the sensor len of FIG. 1. FIG. 3 is a front view of the sensor len of FIG. 1. FIG. 4 is a rear view of the sensor len of FIG. 1. FIG. 5 is a top down view of the sensor len of FIG. 1. FIG. 6 is a bottom up view of the sensor len of FIG. 1. FIG. 7 is a side view of the sensor len of FIG. 1. FIG. 8 is a top left front-side perspective view of the sensor len of FIG. 1 associated with a sensor cabinet which is shown in broken lines for illustrative purposes only. FIG. 9 is a top left rear-side perspective view of the sensor len of FIG. 1 associated with a sensor cabinet which is shown in broken lines for illustrative purposes only. FIG. 10 is a front view of the sensor len of FIG. 1 associated with a sensor cabinet which is shown in broken lines for illustrative purposes only. FIG. 11 is a rear view of the sensor len of FIG. 1 associated with a sensor cabinet which is shown in broken lines for illustrative purposes only. FIG. 12 is a top down view of the sensor len of FIG. 1 associated with a sensor cabinet which is shown in broken lines for illustrative purposes only. FIG. 13 is a bottom up view of the sensor len of FIG. 1 associated with a sensor cabinet which is shown in broken lines for illustrative purposes only; and, FIG. 14 is a side view of the sensor len of FIG. 1 associated with a sensor cabinet which is shown in broken lines for illustrative purposes only. The contour lines and portions shown in broken lines are for illustrative purposes only and form no part of the claimed design.

1 Claim, 5 Drawing Sheets



(58) **Field of Classification Search**

CPC G08B 21/0247; G08B 21/025; G08B 21/0252; G08B 21/0258; G08B 21/0261; G08B 21/0263; G08B 21/0266; G08B 21/0269; G08B 21/0272; G08B 21/0275; G08B 21/0277; G08B 21/028; G08B 21/0283; G08B 21/0286; G08B 21/0288; G08B 21/091; G08B 21/0194; G08B 21/0297; G08B 21/04; G08B 21/0407; G08B 21/0415; G08B 21/0423; G08B 21/043; G08B 21/0438; G08B 21/0446; G08B 21/0453; G08B 21/0461; G08B 21/0469; G08B 21/0476; G08B 21/0484; G08B 21/0492; G08B 21/06; G08B 21/08; G08B 21/082; G08B 21/084; G08B 21/086; G08B 21/088; G08B 21/10; G08B 21/12; G08B 21/14; G08B 21/16; G08B 21/18; G08B 21/182; G08B 21/185; G08B 21/187; G08B 21/20; G08B 21/22; G08B 21/24; G08B 21/245; G08B 23/00; G08B 13/00; G08B 13/02; G08B 13/04; G08B 13/06; G08B 13/08; G08B 13/10; G08B 13/12; G08B 13/122; G08B 13/124; G08B 13/126; G08B 13/028; G08B 13/14; G08B 13/1409; G08B 13/1418; G08B 13/1427; G08B 13/1436; G08B 13/1445; G08B 13/1454; G08B 13/1463; G08B 13/1472; G08B 13/1481; G08B 13/149; G08B 13/16; G08B 13/1609; G08B 13/1618; G08B 13/1627; G08B 13/1636; G08B 13/1645; G08B 13/1654; G08B 13/1663; G08B 13/1672; G08B 13/1681; G08B 13/169; G08B 13/18; G08B 13/181; G08B 13/183; G08B 13/184; G08B 13/186; G08B 13/187; G08B 13/189; G08B 13/1895; G08B 13/19; G08B 13/191; G08B 13/193; G08B 13/194; G08B 13/196; G08B 13/19604; G08B 13/19606; G08B 13/19608; G08B 13/1961; G08B 13/19613; G08B 13/19615; G08B 13/19617; G08B 13/19619; G08B

13/19621; G08B 13/19623; G08B 13/19626; G08B 13/19628; G08B 13/1963; G08B 13/19632; G08B 13/19634; G08B 13/19636; G08B 13/19639; G08B 13/19641; G08B 13/19643; G08B 13/19645; G08B 13/19647; G08B 13/1965; G08B 13/19652; G08B 13/19654; G08B 13/19656; G08B 13/19658; G08B 13/1966; G08B 13/19663; G08B 13/19665; G08B 13/19667; G08B 13/19669; G08B 13/19671; G08B 13/19673; G08B 13/19676; G08B 13/19678; G08B 13/1968; G08B 13/19682; G08B 13/19684; G08B 13/19686; G08B 13/19689; G08B 13/19691; G08B 13/19693; G08B 13/19695; G08B 13/19697; G08B 13/20; G08B 13/22; G08B 13/24; G08B 13/2402; G08B 13/2405; G08B 13/2408; G08B 13/2411; G08B 13/2414; G08B 13/2417; G08B 13/2422; G08B 13/2425; G08B 13/2428; G08B 13/2431; G08B 13/2434; G08B 13/2437; G08B 13/244; G08B 13/2442; G08B 13/2445; G08B 13/2448; G08B 13/2451; G08B 13/2454; G08B 13/2457; G08B 13/246; G08B 13/2462; G08B 13/2465; G08B 13/2468; G08B 13/2471; G08B 13/2474; G08B 13/2477; G08B 13/248; G08B 13/2482; G08B 13/2485; G08B 13/2488; G08B 13/2491; G08B 13/2494; G08B 13/2497; G08B 13/26

See application file for complete search history.

(56)

References Cited

U.S. PATENT DOCUMENTS

D597,863 S * 8/2009 Kataoka D10/103
 D598,305 S * 8/2009 Li D10/103
 D699,139 S * 2/2014 Schwenn D10/103

* cited by examiner

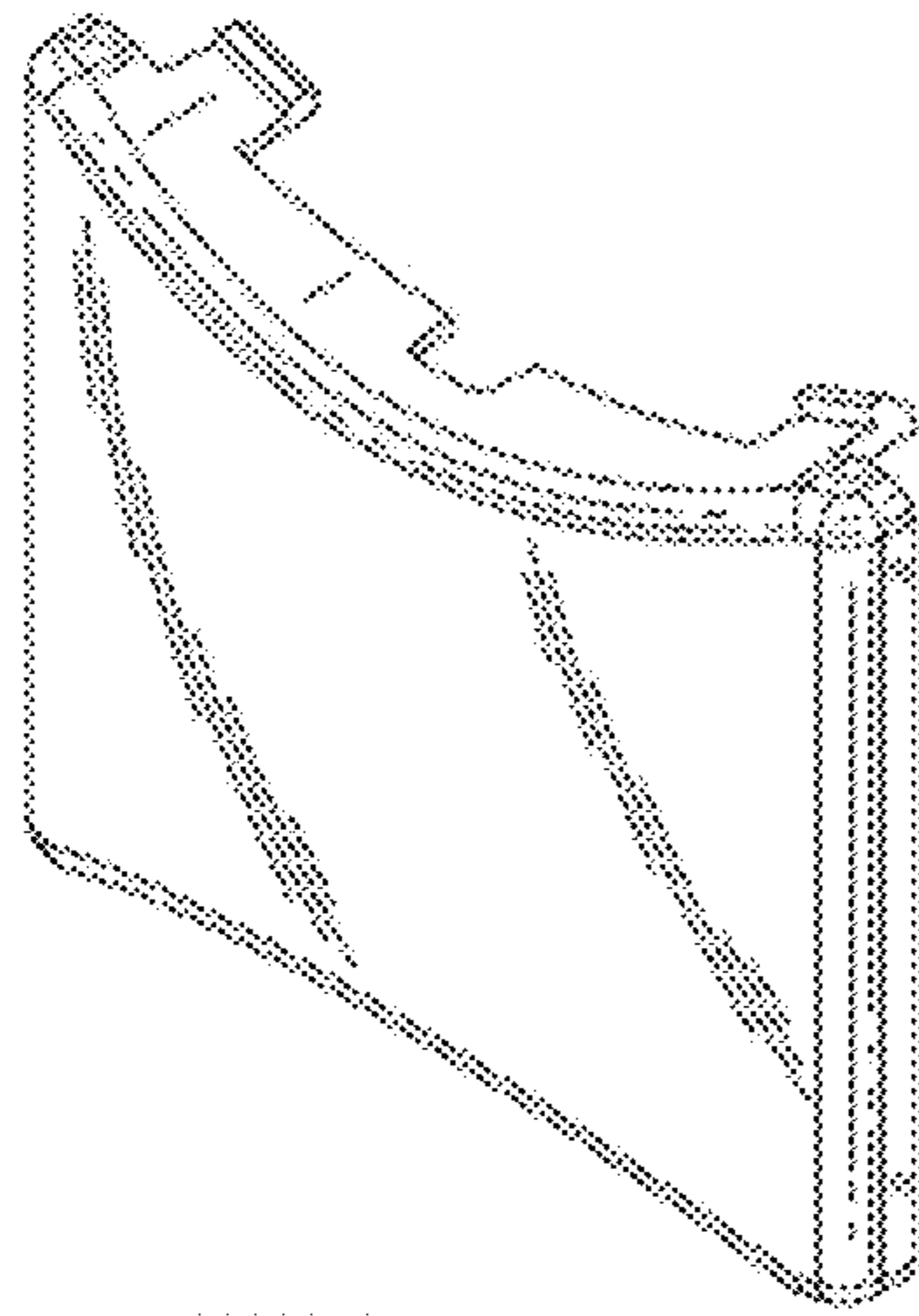


FIG. 1

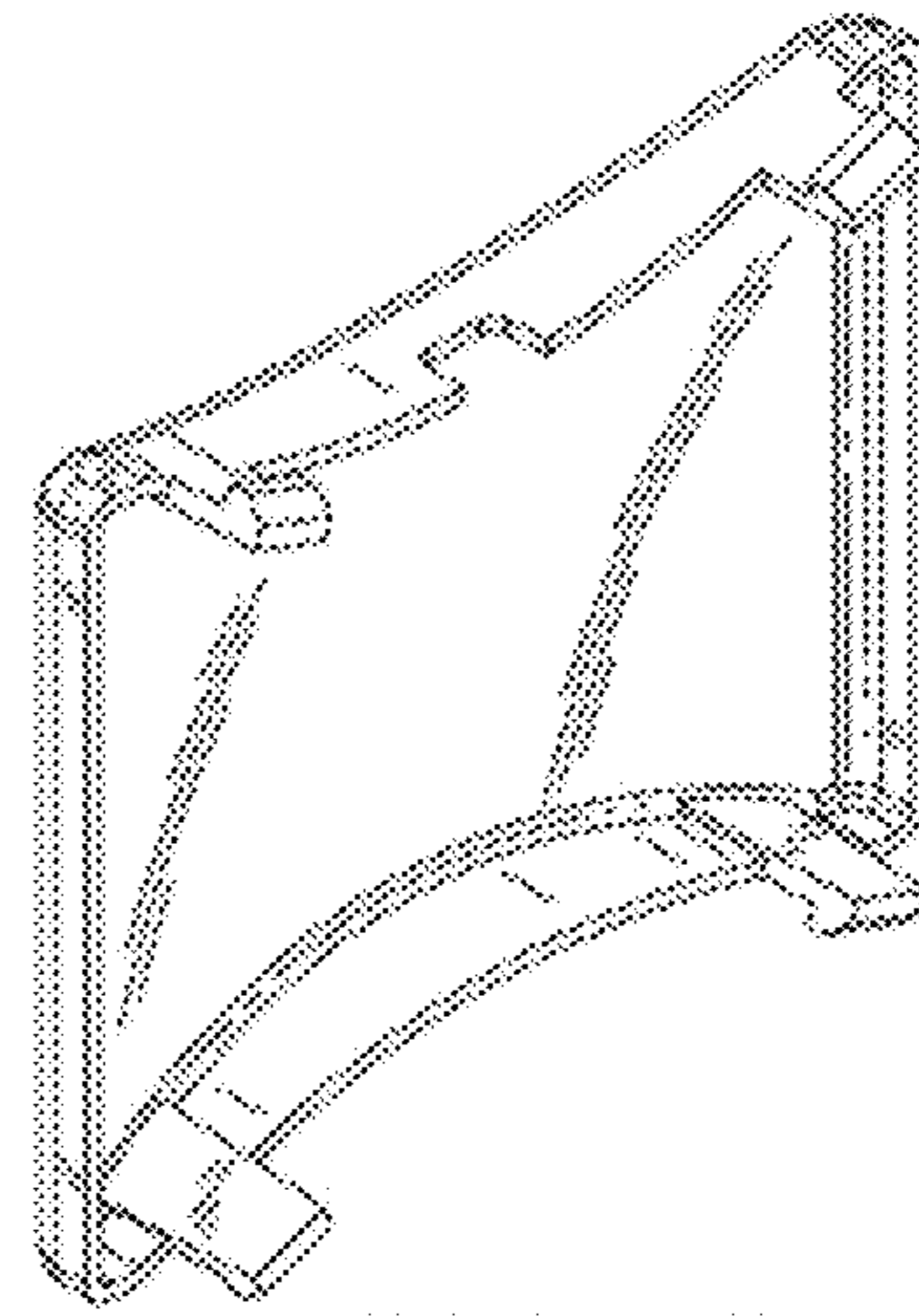


FIG. 2

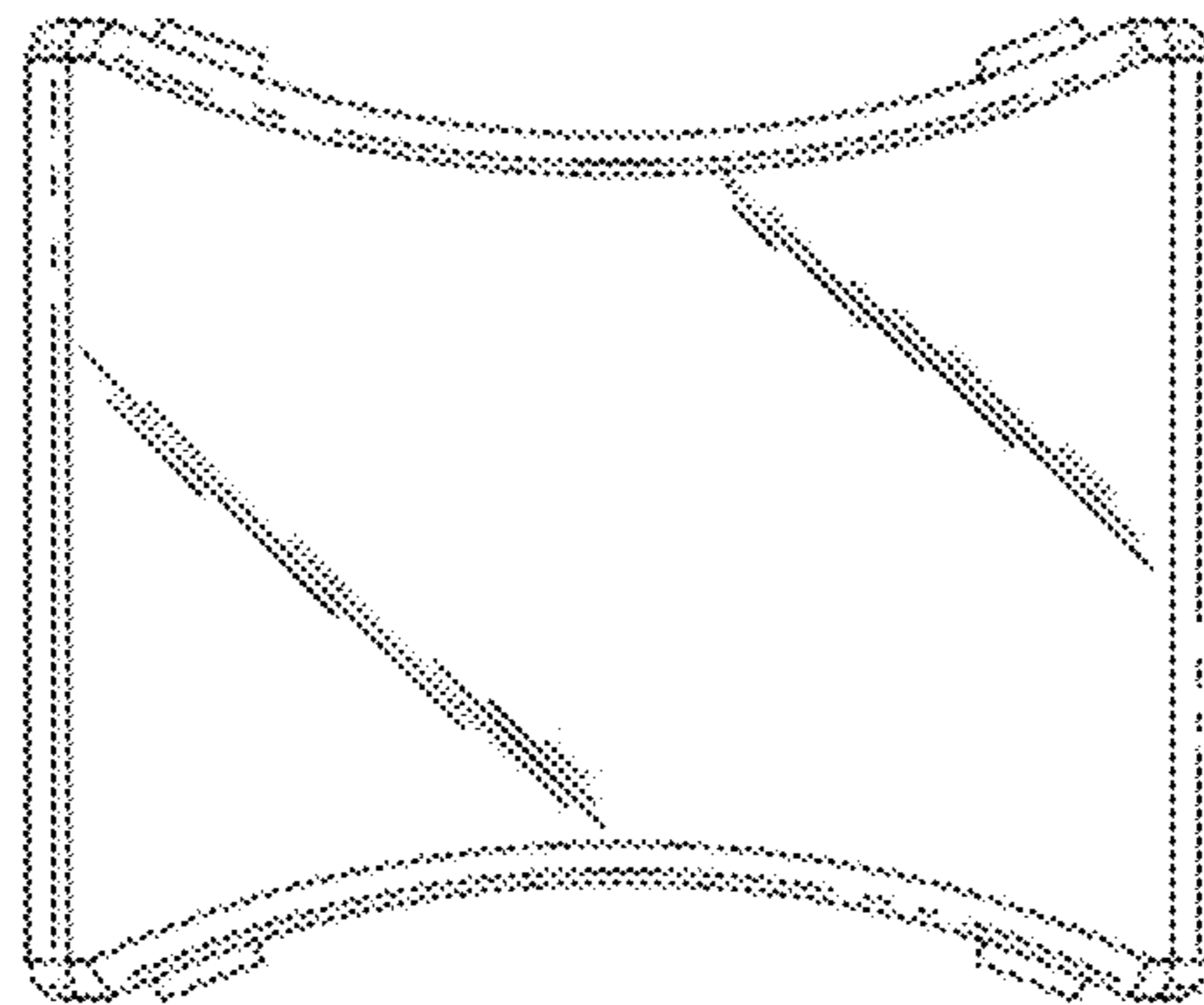


FIG. 3

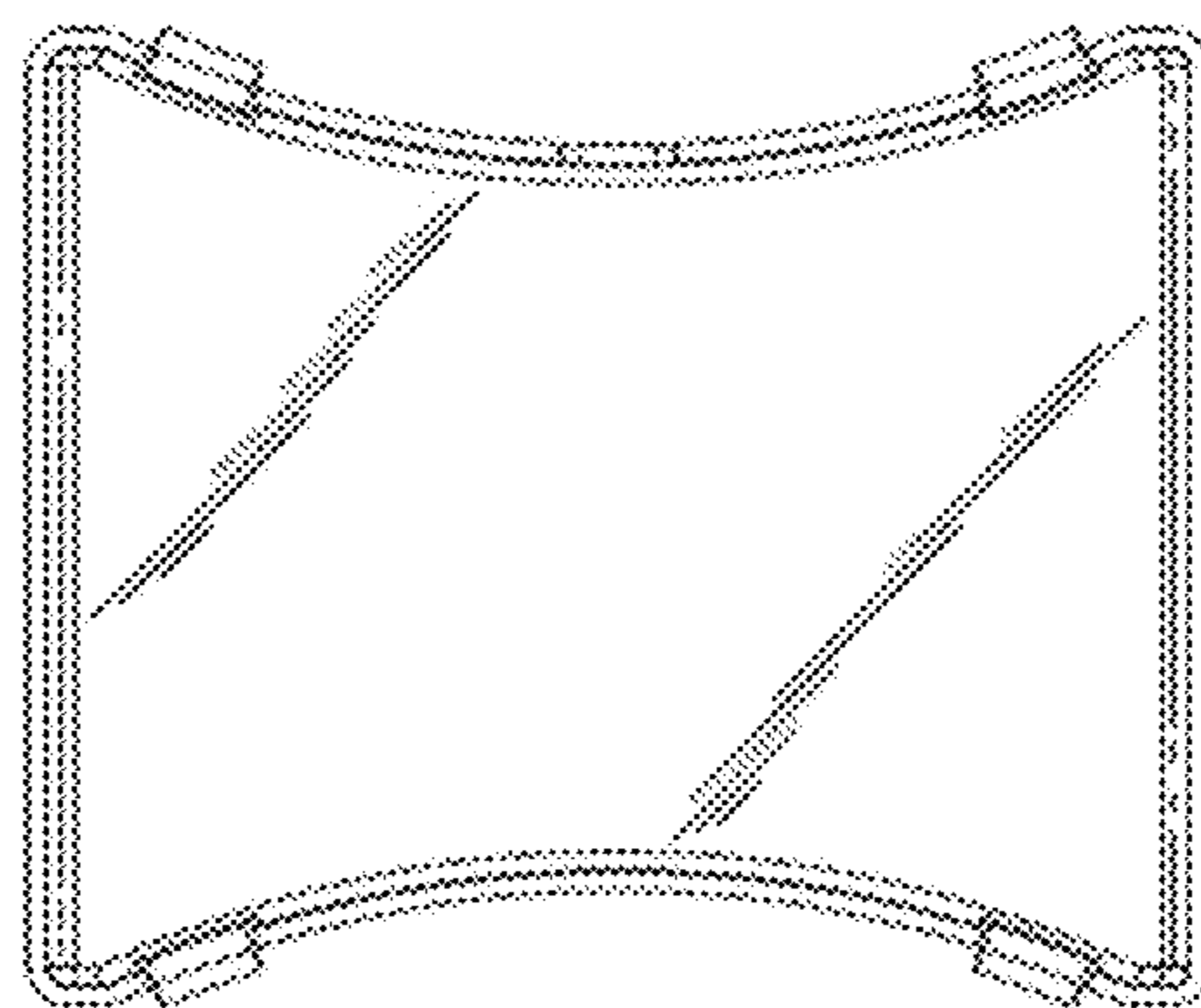


FIG. 4

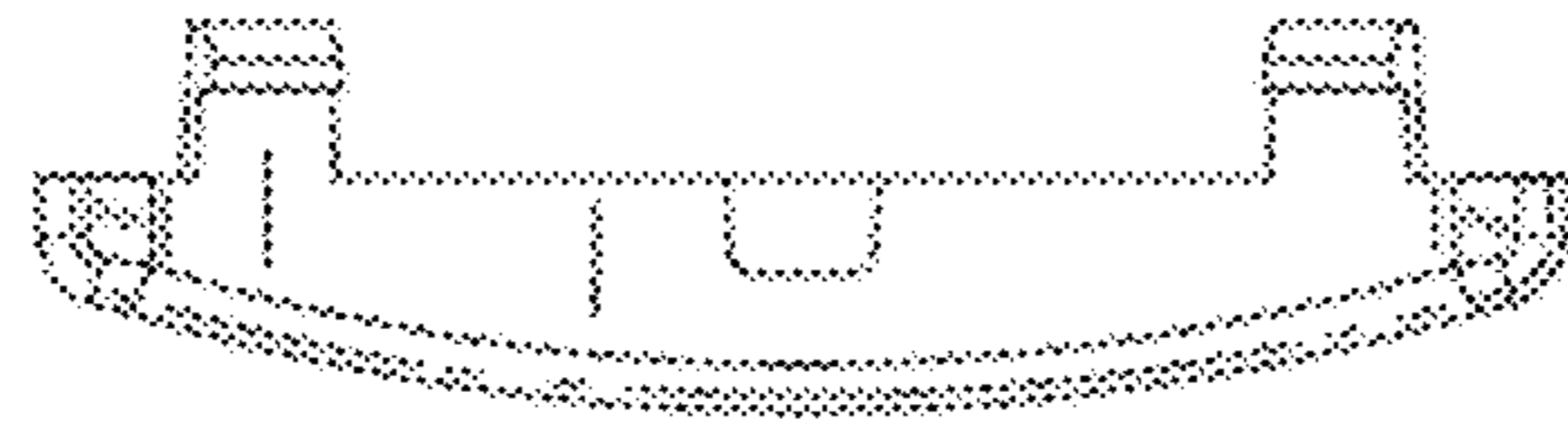


FIG. 5

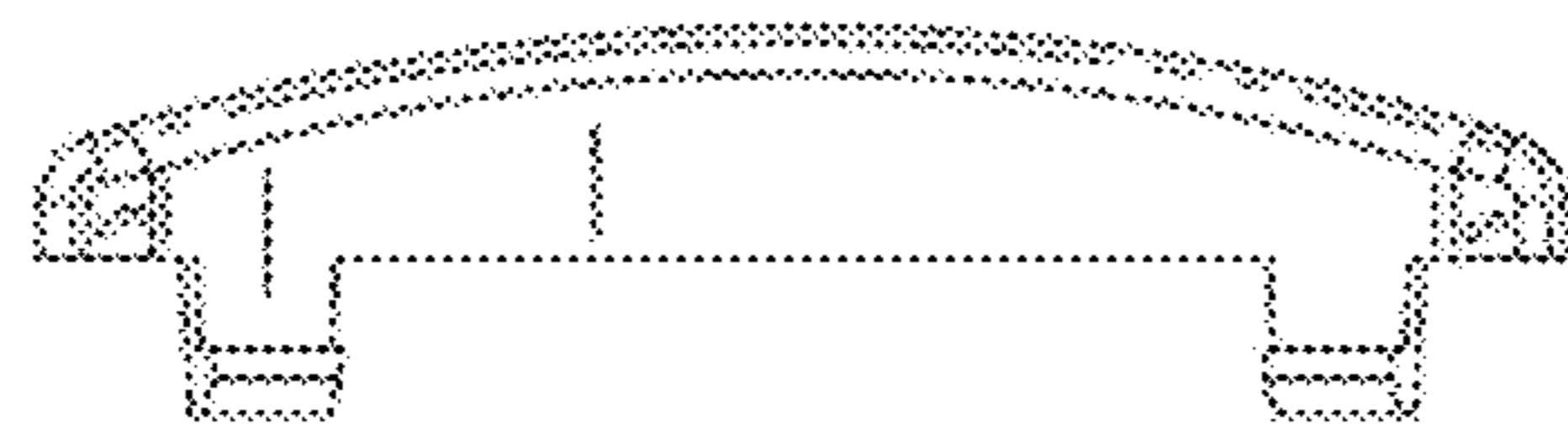


FIG. 6

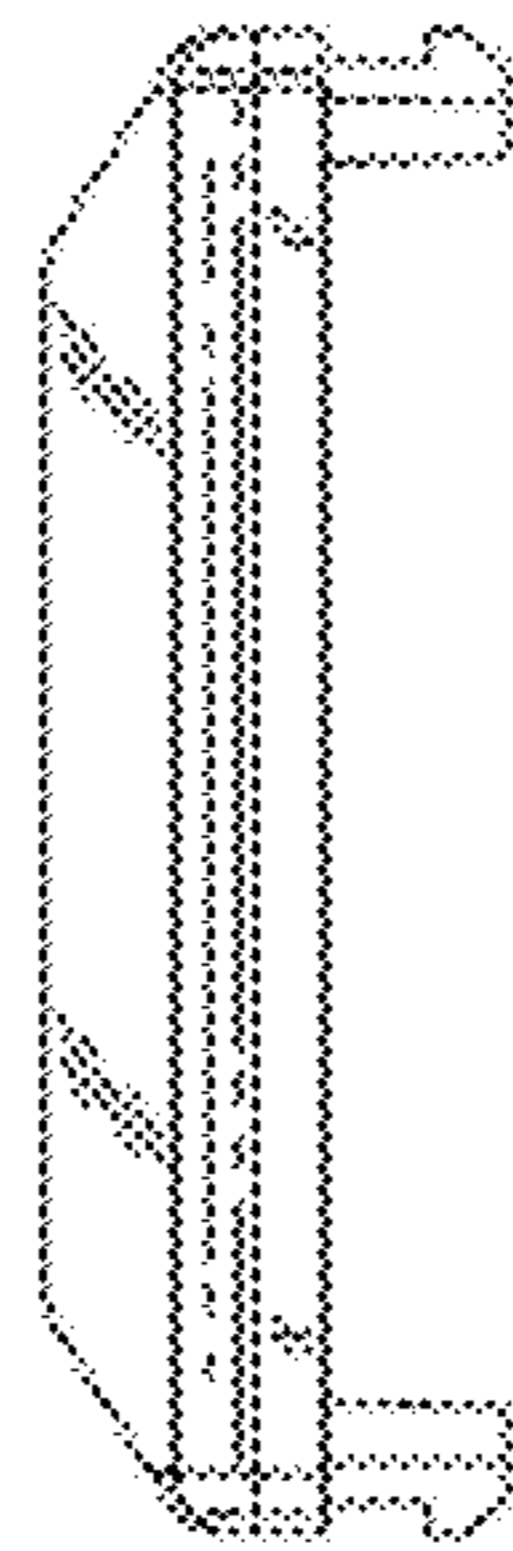


FIG. 7

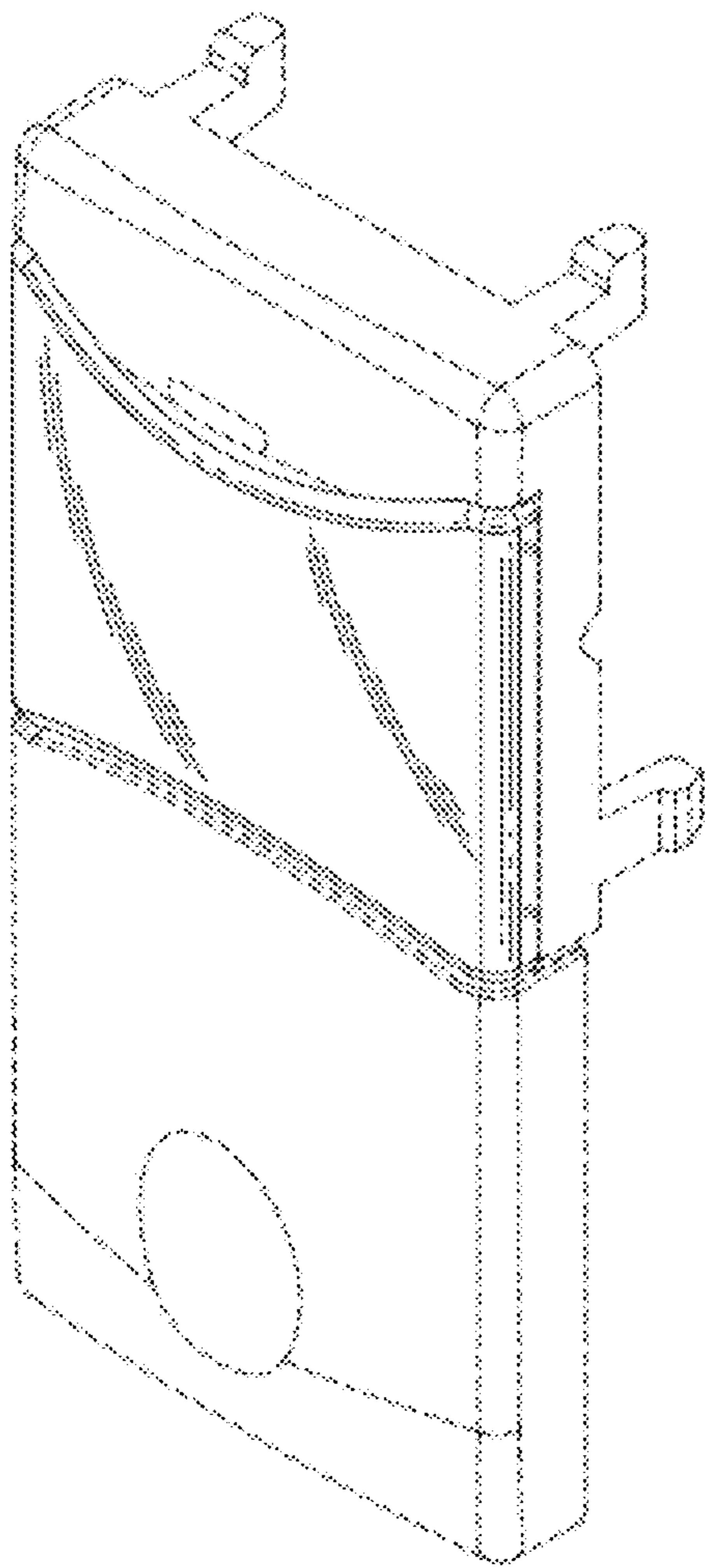


FIG. 8

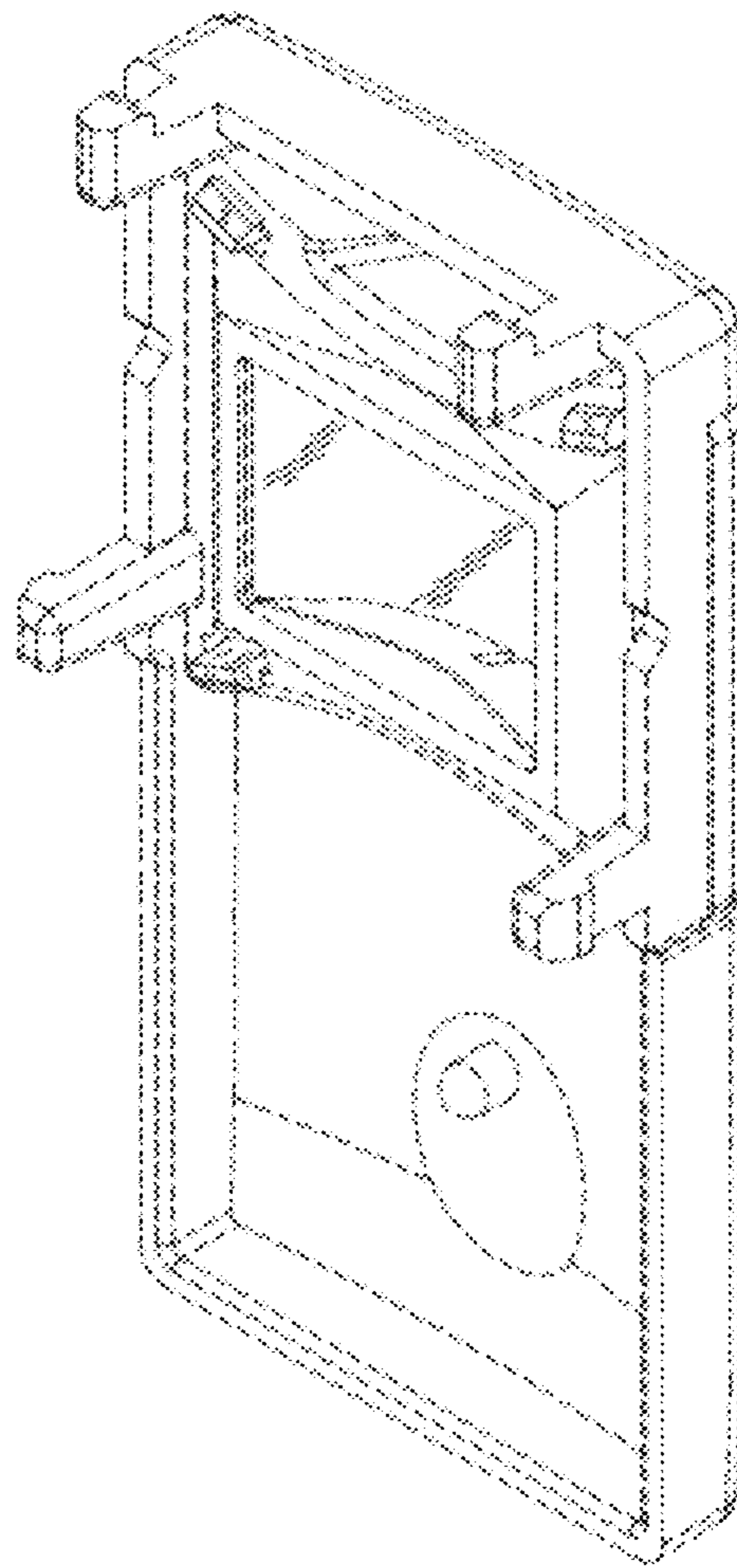


FIG. 9

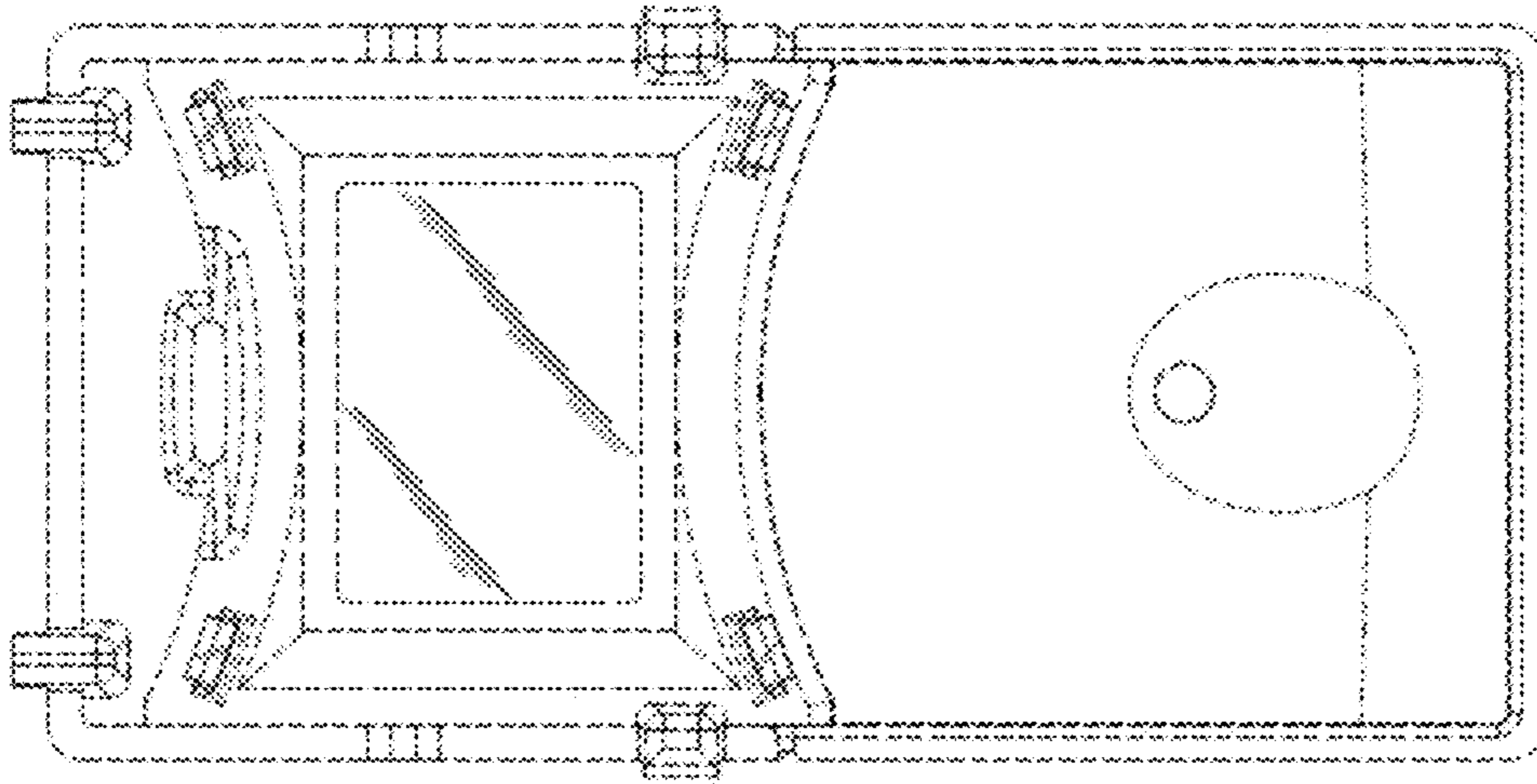


FIG. 11

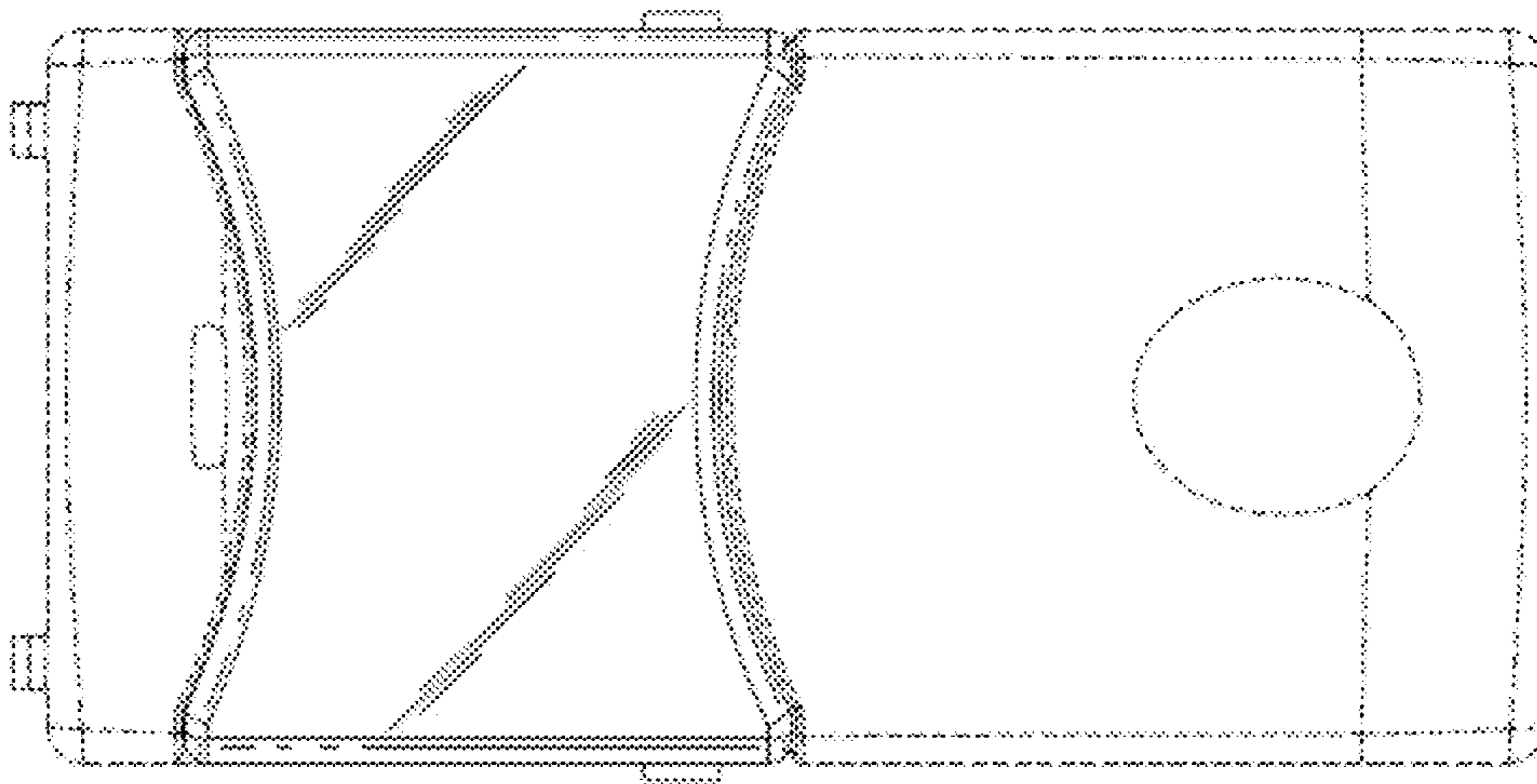


FIG. 10

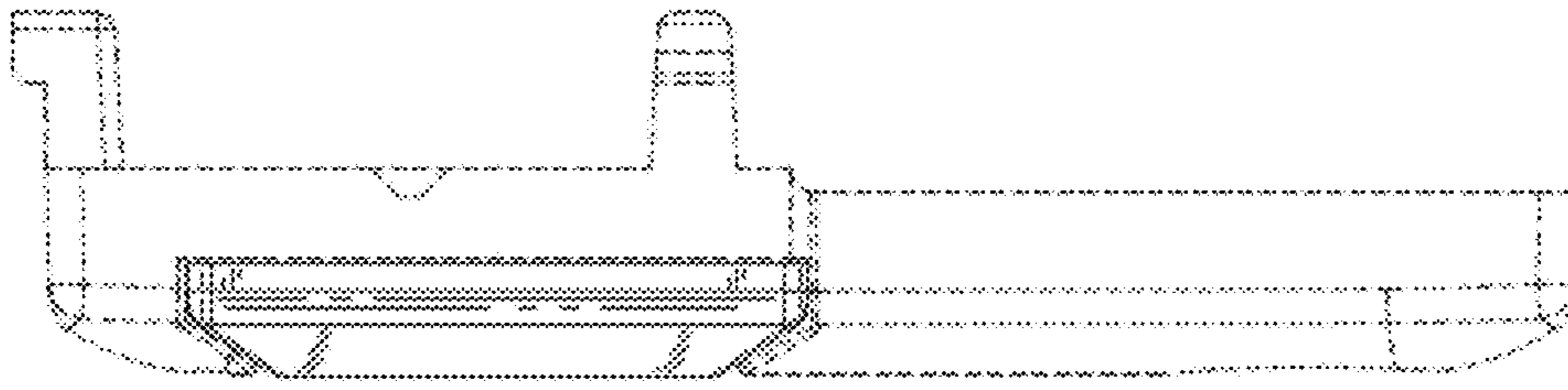


FIG. 14

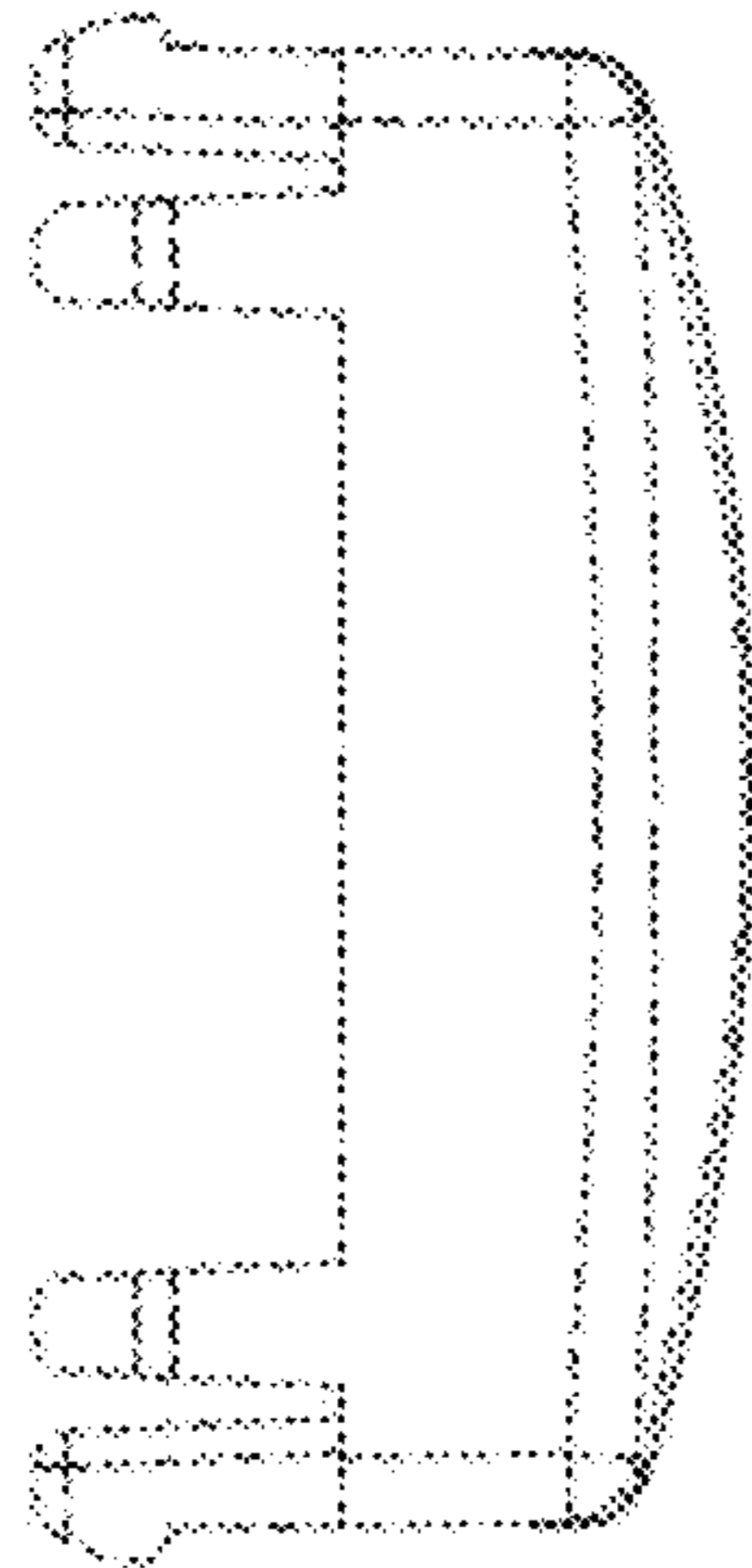


FIG. 12

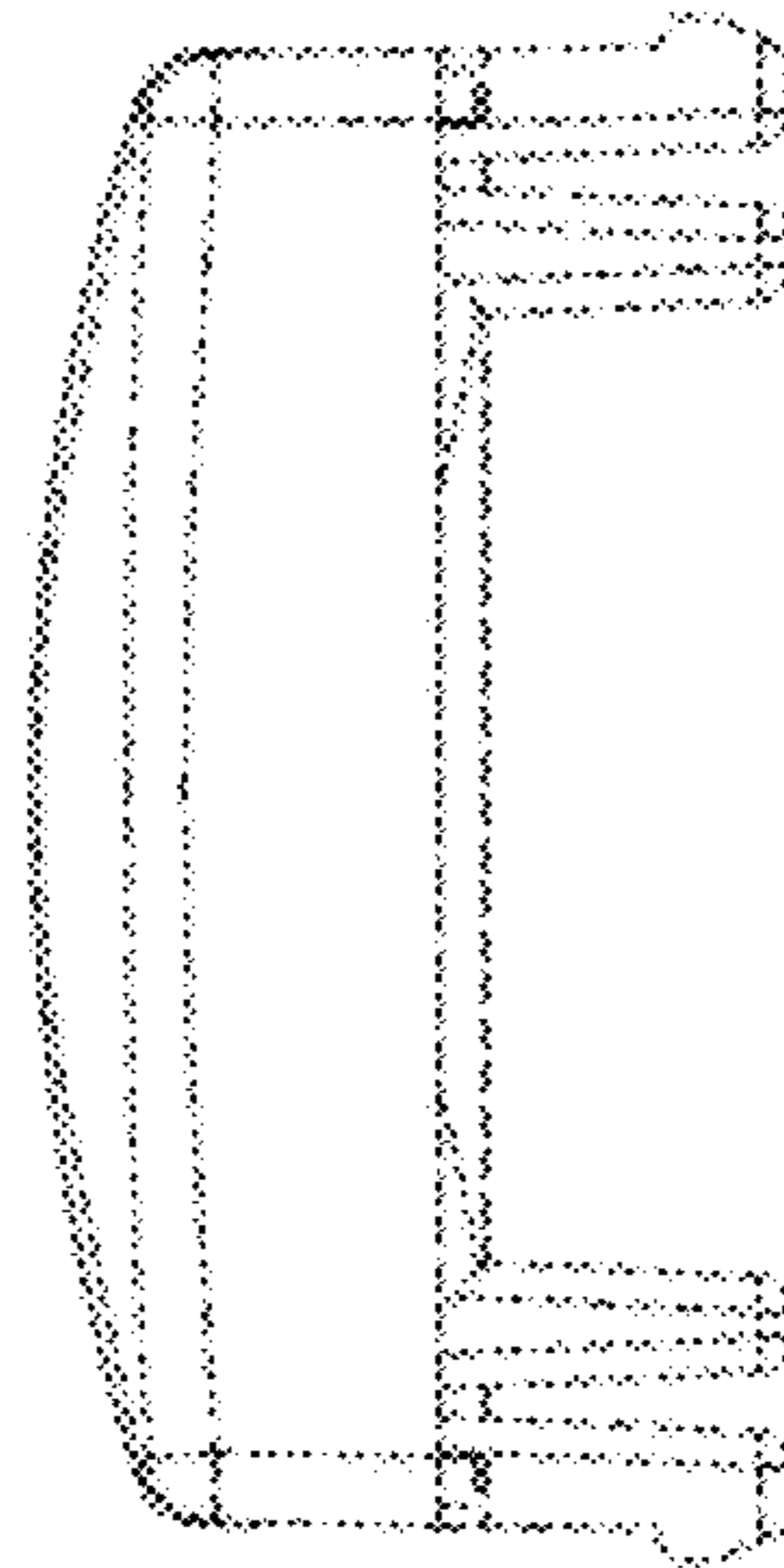


FIG. 13