



US00D913820S

(12) **United States Design Patent**
Vilsaint

(10) **Patent No.:** **US D913,820 S**
(45) **Date of Patent:** **** Mar. 23, 2021**

(54) **RULER**

(71) Applicant: **Lixon Vilsaint**, Metairie, LA (US)

(72) Inventor: **Lixon Vilsaint**, Metairie, LA (US)

(**) Term: **15 Years**

(21) Appl. No.: **29/689,566**

(22) Filed: **Apr. 30, 2019**

(51) **LOC (13) Cl.** **10-04**

(52) **U.S. Cl.**
USPC **D10/71**

(58) **Field of Classification Search**
USPC D10/71
CPC G01B 3/02; G01B 3/04; B43L 13/145
See application file for complete search history.

(56) **References Cited**

U.S. PATENT DOCUMENTS

D529,828 S * 10/2006 Aspengren D10/71

* cited by examiner

Primary Examiner — Antoine Duval Davis

(57) **CLAIM**

The ornamental design for a ruler, as shown and described.

DESCRIPTION

FIG. 1 is a perspective view of a ruler showing my new design;

FIG. 2 is a front elevational view thereof;

FIG. 3 is a rear elevational view thereof;

FIG. 4 is a right side elevational view thereof;

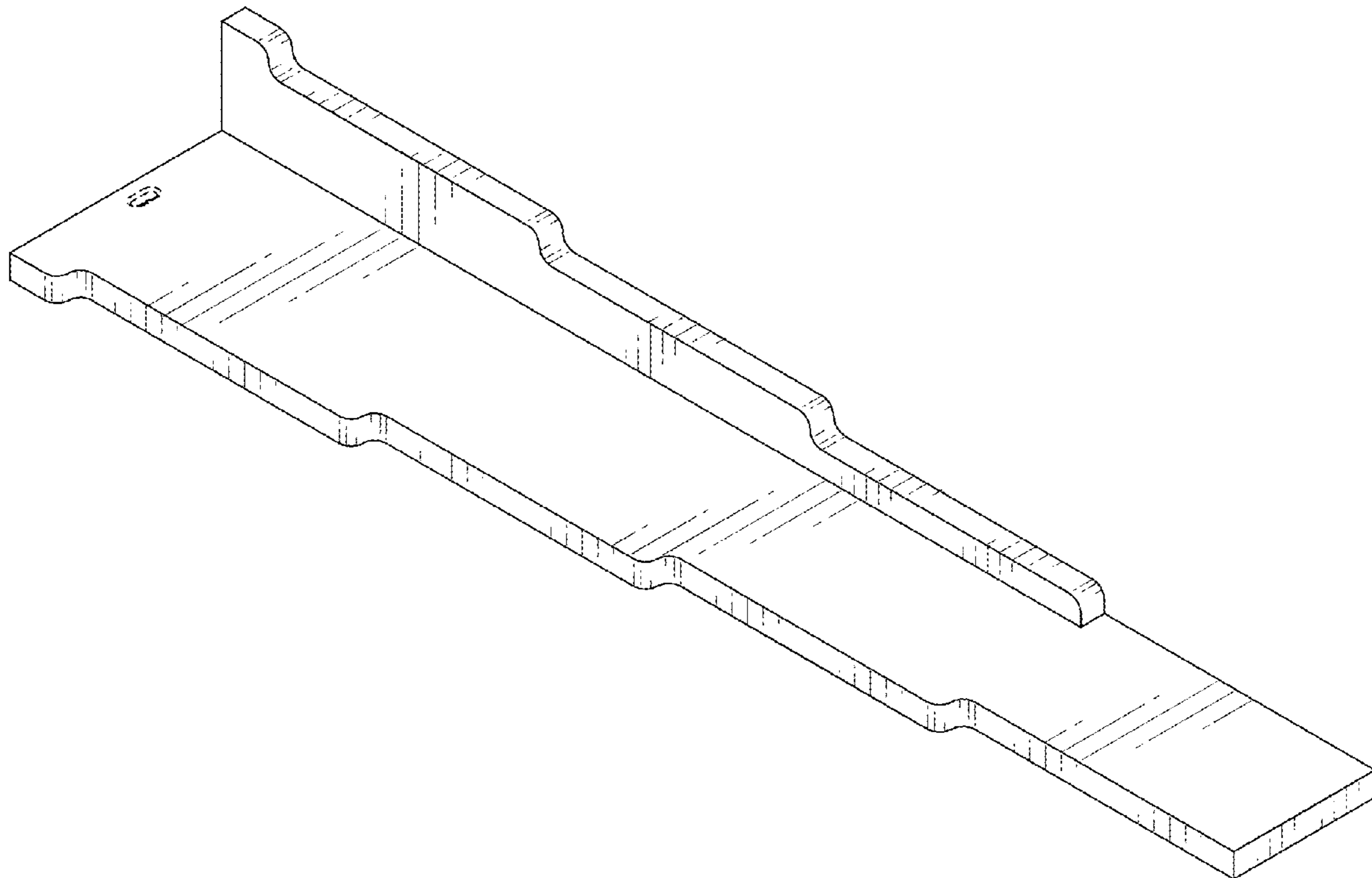
FIG. 5 is a left side elevational view thereof;

FIG. 6 is a top plan view thereof; and,

FIG. 7 is a bottom plan view thereof.

The broken line showing of an aperture and shelling or ribbing thereof is included for the purpose of illustrating environmental structure and forms no part of the claimed design.

1 Claim, 7 Drawing Sheets



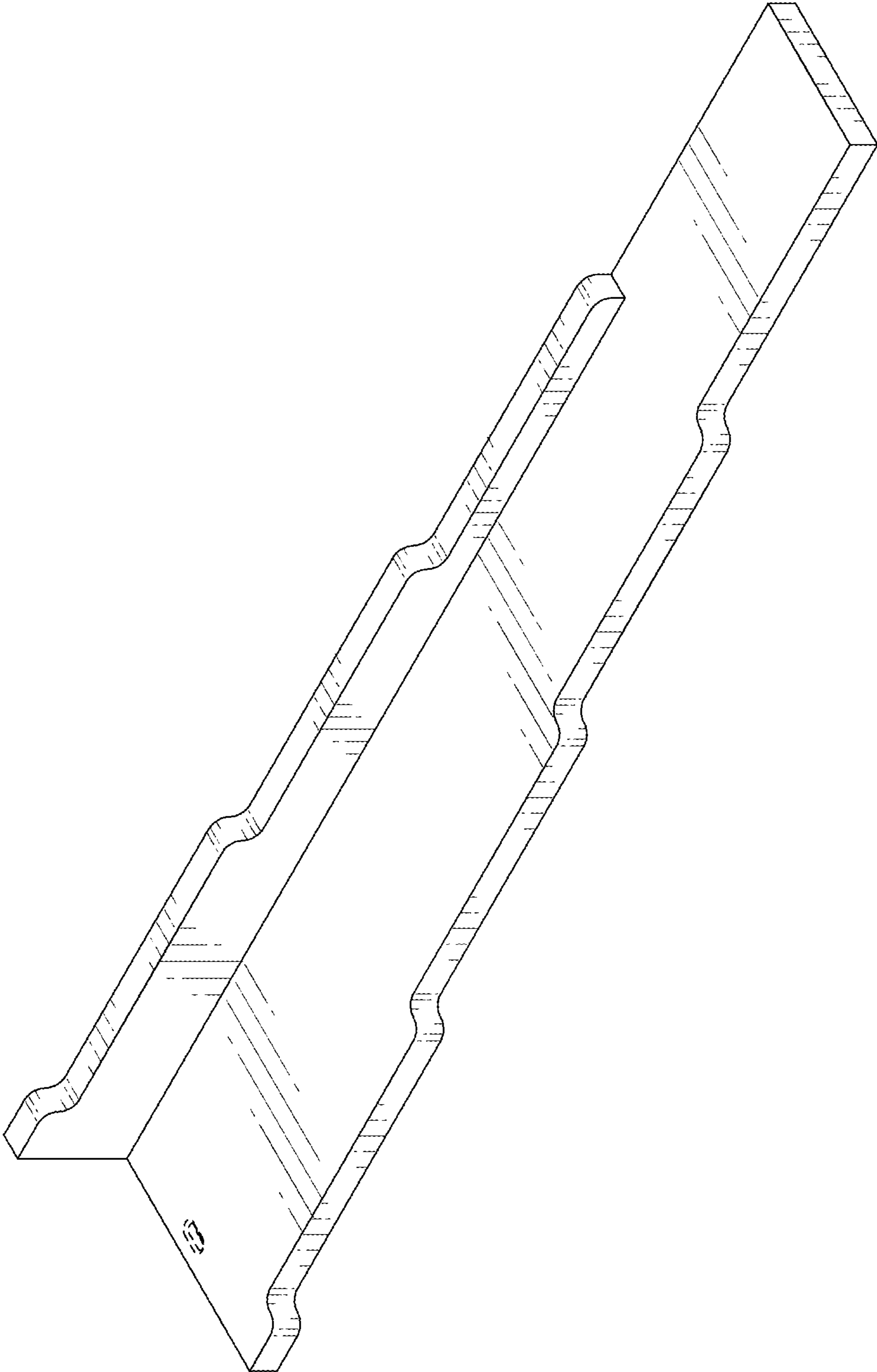


FIG. 1

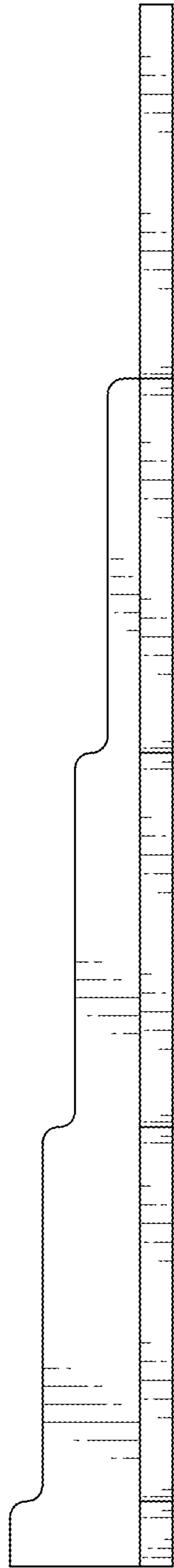


FIG. 2

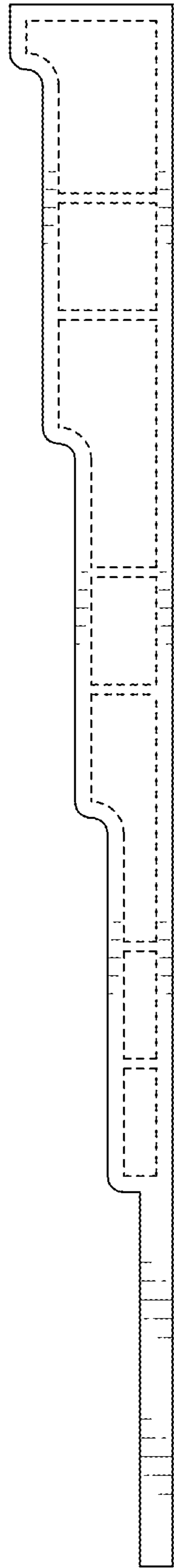


FIG. 3

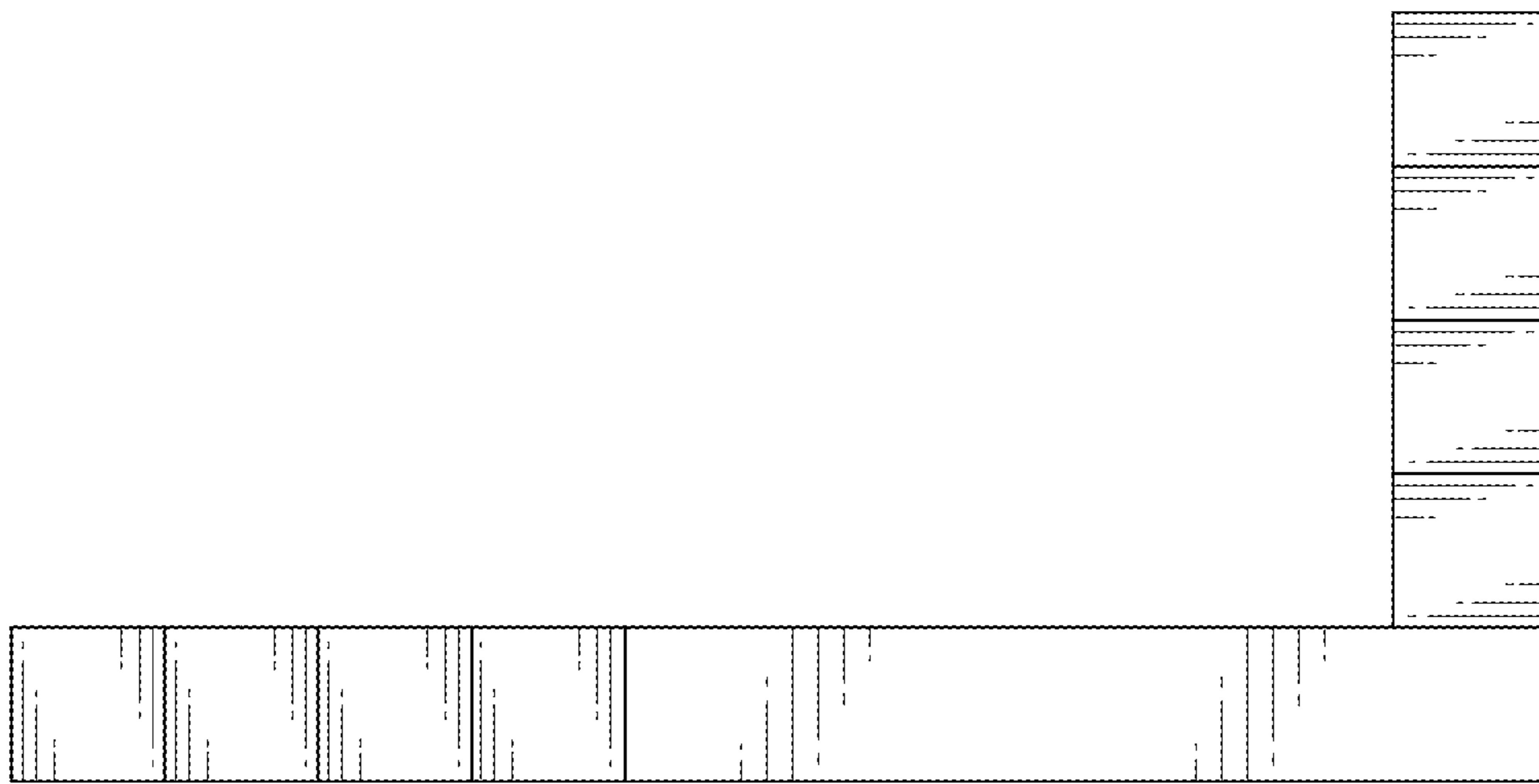


FIG. 4

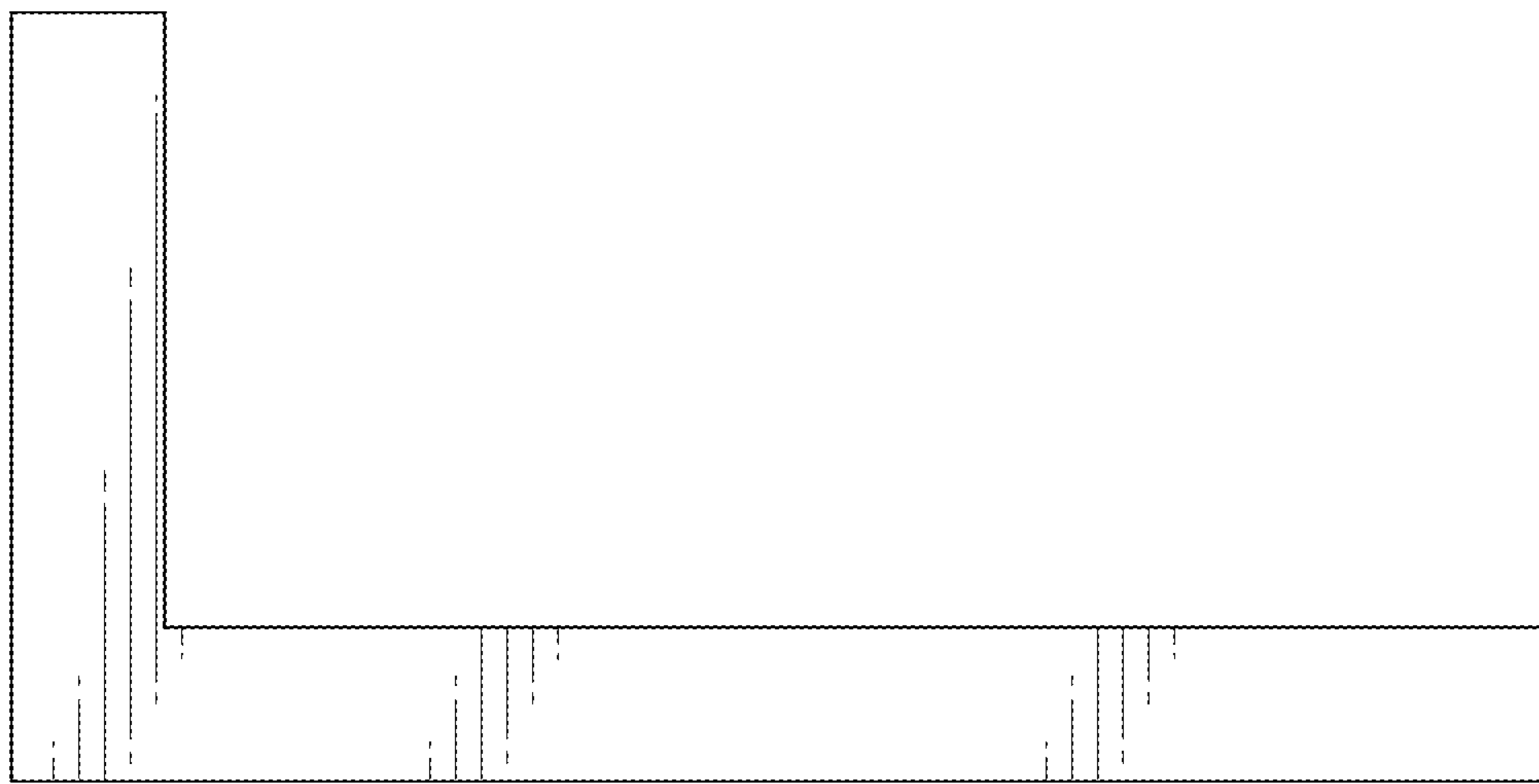


FIG. 5

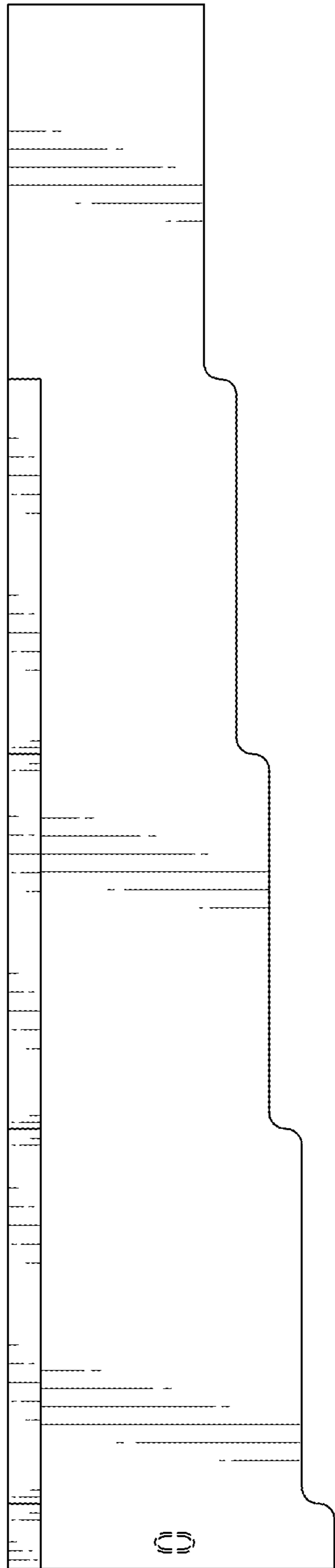


FIG. 6

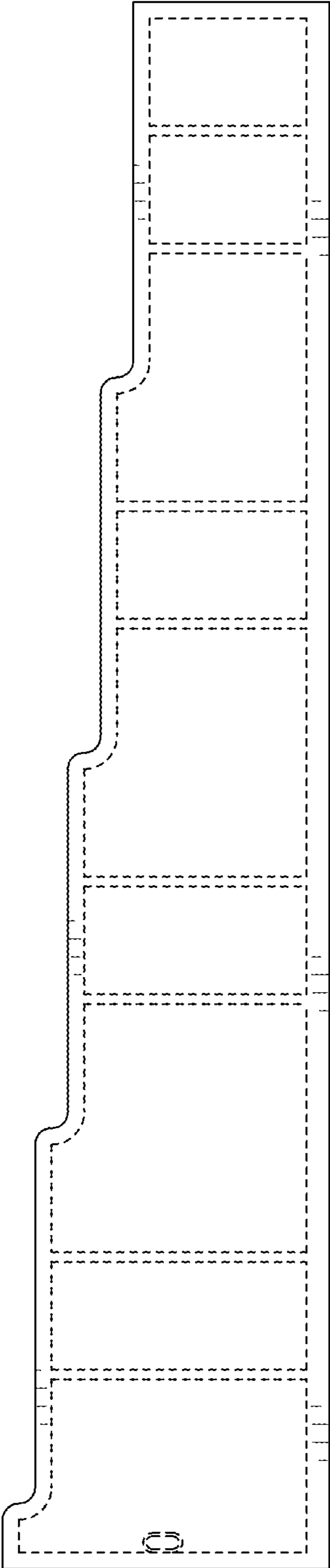


FIG. 7