



US00D913819S

(12) **United States Design Patent** (10) **Patent No.:** **US D913,819 S**  
**Dempsey et al.** (45) **Date of Patent:** **\*\* Mar. 23, 2021**

(54) **ELECTRONIC DISPLAY DEVICE MOUNTABLE TO A VEHICLE**  
(71) Applicant: **TomTom International B.V.**, Amsterdam (NL)  
(72) Inventors: **Mark Lee Dempsey**, Beckenham (GB); **Daniel Browning**, Amsterdam (NL); **Nicholas Alexander Evans**, Amsterdam (NL); **Andreas Schuh**, Amsterdam (NL)

D747,984 S \* 1/2016 Zhao ..... D10/52  
D772,738 S \* 11/2016 Browning ..... D10/65  
D808,831 S \* 1/2018 Dempsey ..... D10/74  
D821,890 S \* 7/2018 Jin ..... D10/23  
D832,264 S \* 10/2018 Kim ..... D14/434  
D854,433 S \* 7/2019 Vandenbussche ..... D10/70  
D856,954 S \* 8/2019 Chen ..... D14/126  
10,401,902 B1 \* 9/2019 Pawar ..... G06F 3/0412  
2011/0017560 A1 \* 1/2011 Van Dyke ..... B60T 11/22  
188/344  
2016/0086577 A1 \* 3/2016 Broadbent ..... G01C 21/265  
345/690

(Continued)

(73) Assignee: **TOMTOM NAVIGATION B.V.**, Amsterdam (NL)

**OTHER PUBLICATIONS**

(\*\*) Term: **15 Years**

Pocketnavigation.de. "TomTom Vio: Navigationssystem für Rollerfahrer", Published Sep. 1, 2016, Retrieved Sep. 9, 2019. (<https://www.pocketnavigation.de/2016/09/tomtombn-vio-navigationssystem-rollerfahre/>).\*

(21) Appl. No.: **29/595,440**

(22) Filed: **Feb. 28, 2017**

*Primary Examiner* — Susan E Krakower

*Assistant Examiner* — Jerry Shiuang-Hua Hsu

(30) **Foreign Application Priority Data**

Aug. 29, 2016 (EM) ..... 003355486

(74) *Attorney, Agent, or Firm* — Park, Vaughan, Fleming & Dowler LLP

(51) **LOC (13) Cl.** ..... **10-04**

(52) **U.S. Cl.**  
USPC ..... **D10/65; D12/174**

(57) **CLAIM**

The ornamental design for an electronic display device mountable to a vehicle, as shown and described.

(58) **Field of Classification Search**  
USPC .... D12/174; D10/23, 70, 74, 65, 52, 98, 46, D10/97; D14/341–347, 507–510, 136, D14/167, 496, 498, 499, 500, 125–134, D14/239, 371, 374–377, 440, 434  
CPC ..... G01C 21/265; G01D 13/22; G01K 1/028; G01L 19/028; G01F 1/1632; G06F 3/0412

**DESCRIPTION**

FIG. 1 is a perspective view of the electronic display device mountable to a vehicle, showing our new design;  
FIG. 2 is a front view thereof;  
FIG. 3 is a rear view thereof;  
FIGS. 4 and 5 are opposing side views thereof;  
FIG. 6 is a top view thereof; and,  
FIG. 7 is a bottom view thereof.  
The broken lines illustrate unclaimed portions of the electronic display device mountable to a vehicle and form no part of the claimed design.

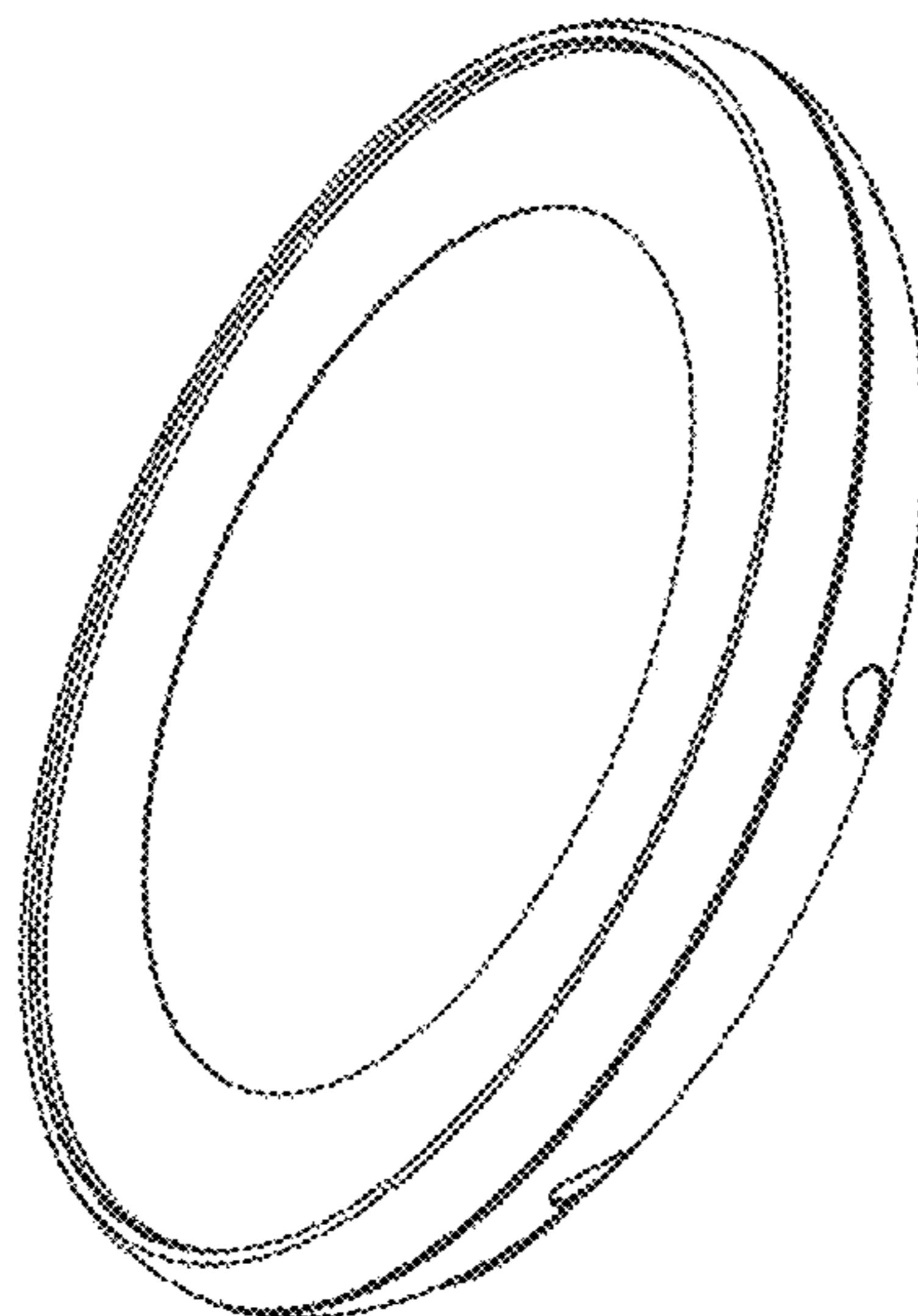
See application file for complete search history.

(56) **References Cited**

**U.S. PATENT DOCUMENTS**

D700,080 S \* 2/2014 Broadbent ..... D10/65  
D720,634 S \* 1/2015 Dempsey ..... D10/65  
D729,643 S \* 5/2015 Browning ..... D10/65

**1 Claim, 3 Drawing Sheets**



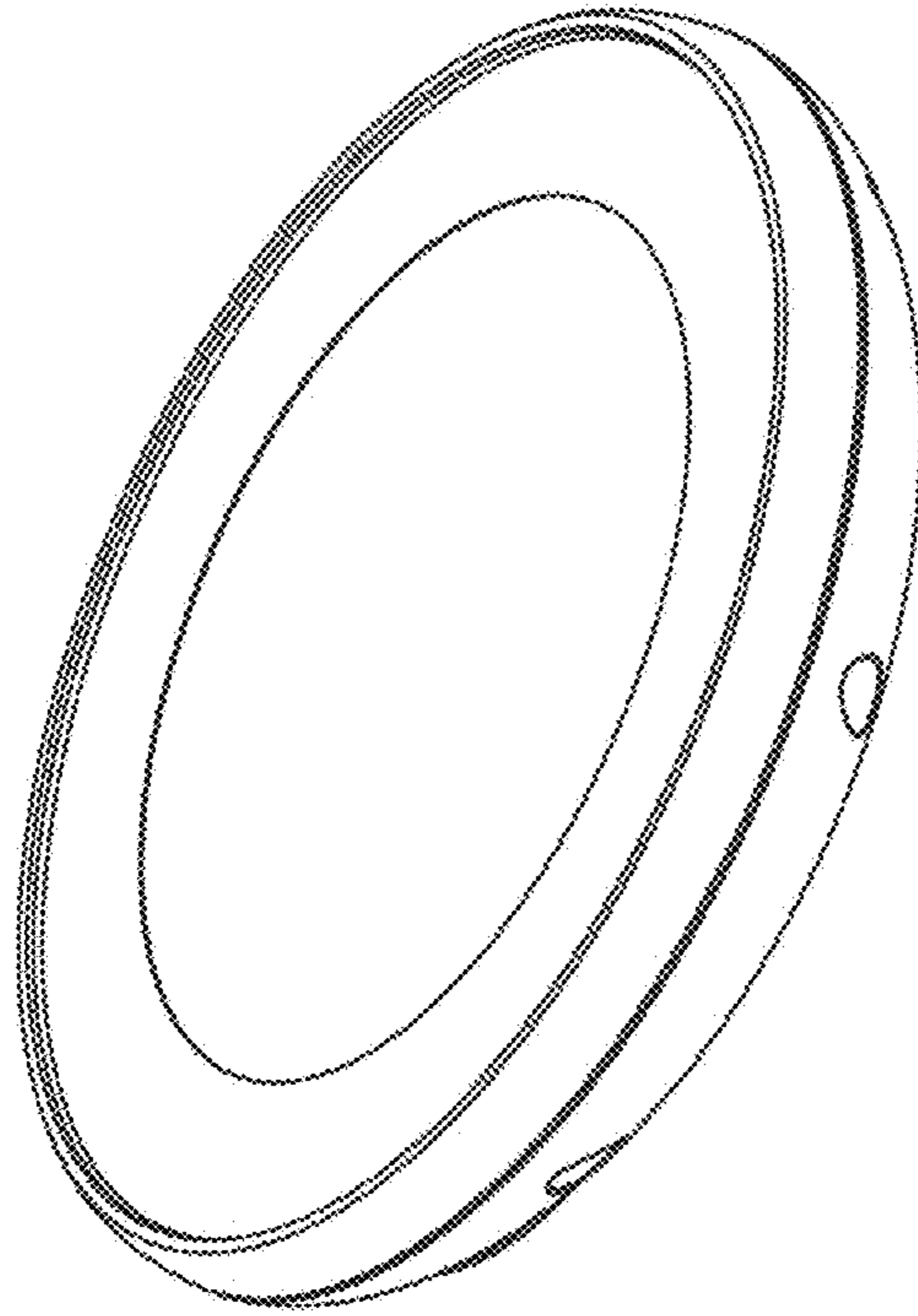
(56)

**References Cited**

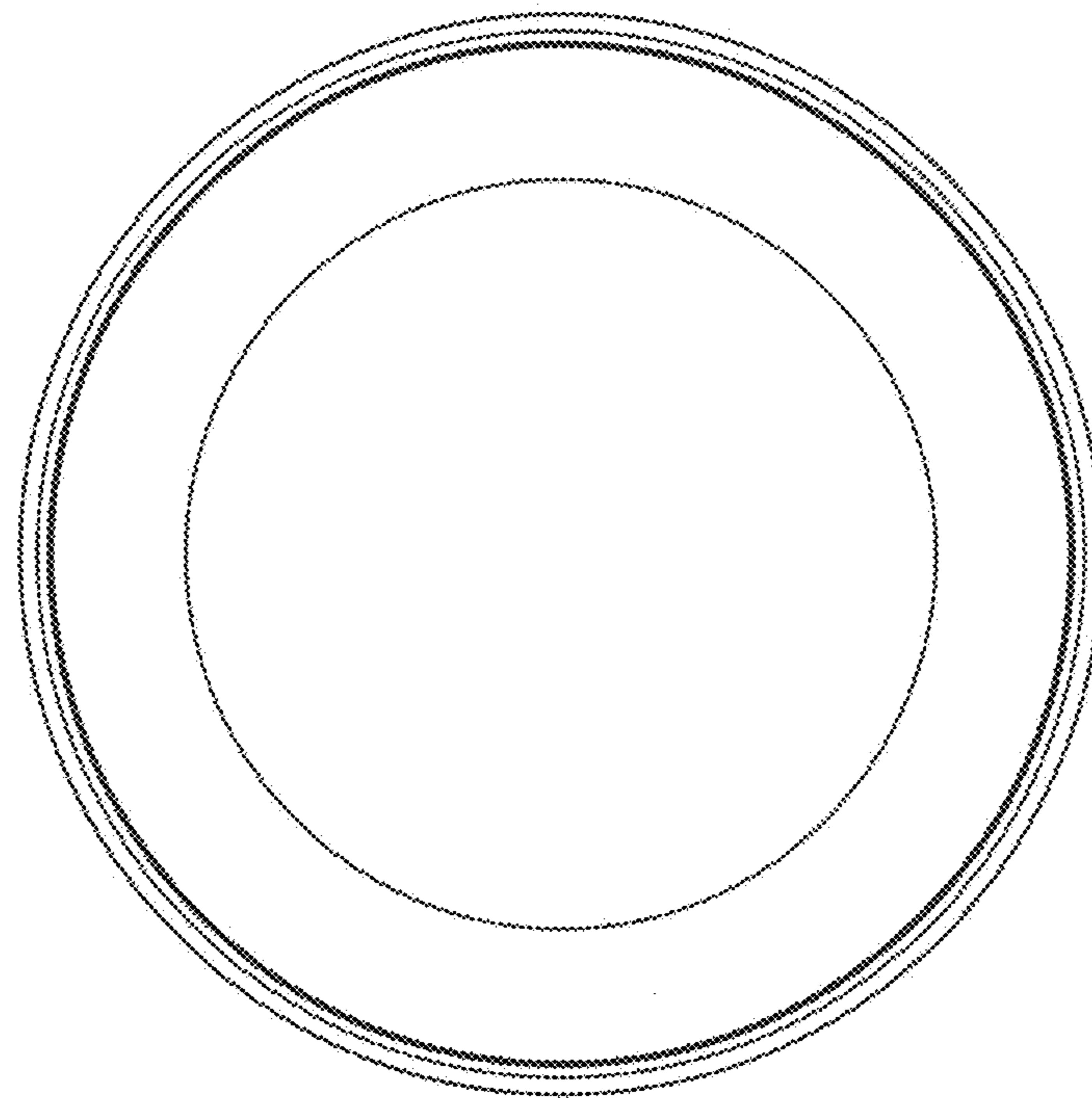
U.S. PATENT DOCUMENTS

2016/0087370 A1\* 3/2016 Broadbent ..... G06F 1/1632  
439/38  
2016/0109312 A1\* 4/2016 Dyson ..... G01L 19/16  
73/733  
2016/0146645 A1\* 5/2016 Kielb ..... G01D 13/22  
116/201  
2019/0250045 A1\* 8/2019 Gleason ..... G01K 1/028

\* cited by examiner



**FIG. 1**



**FIG. 2**

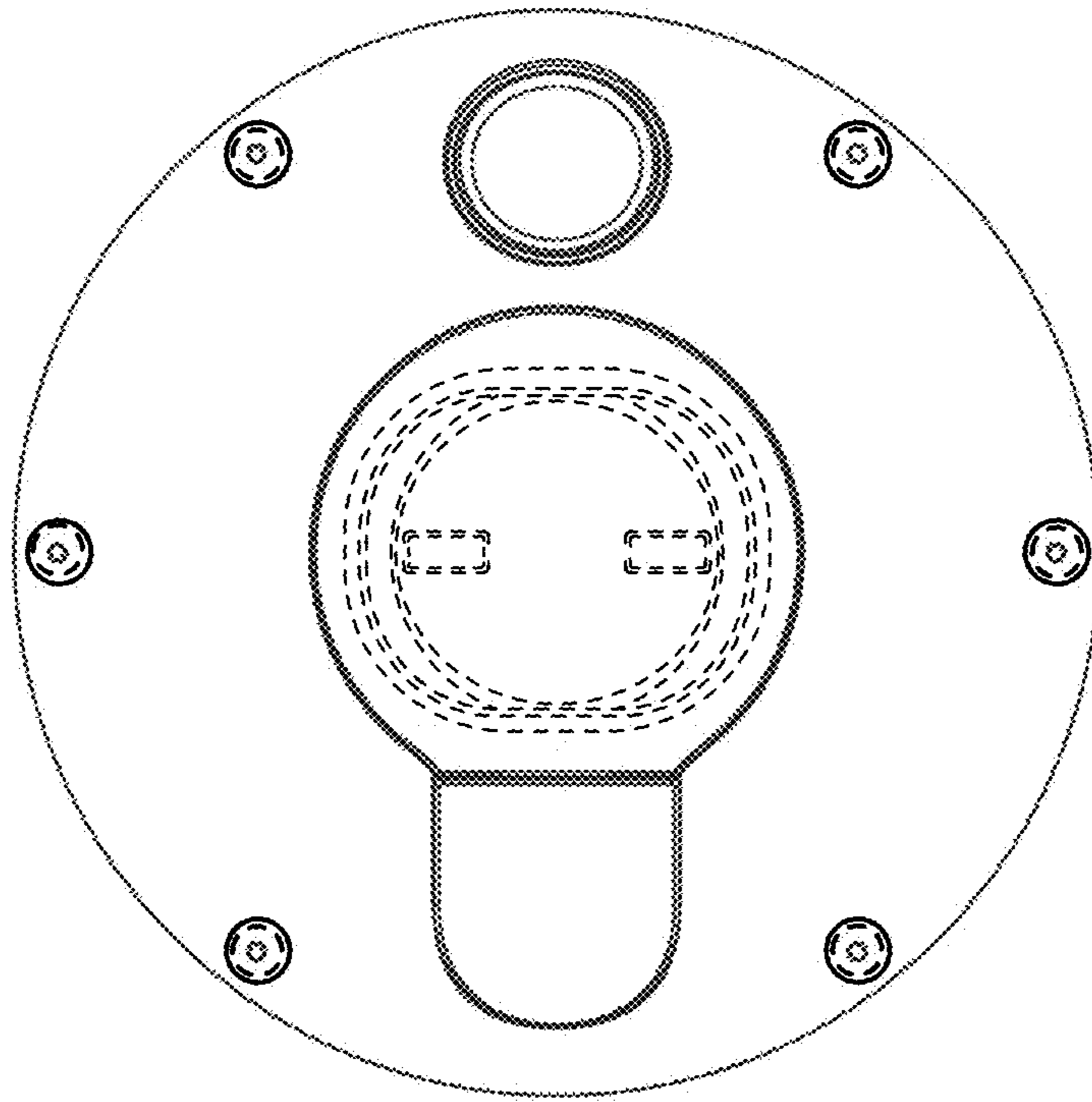


FIG. 3

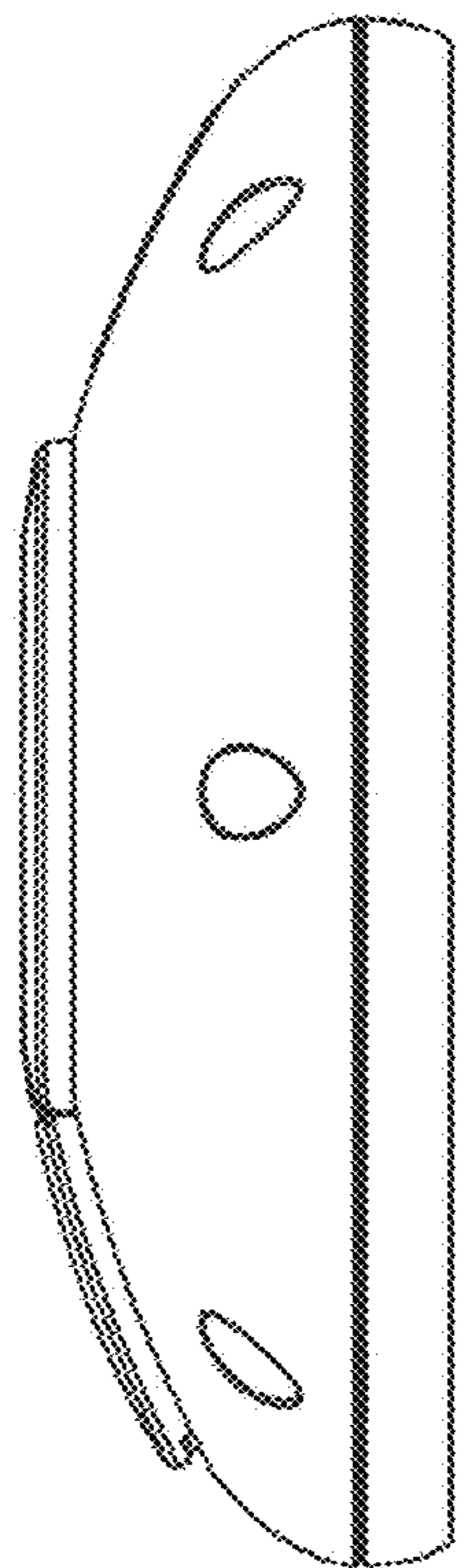


FIG. 4

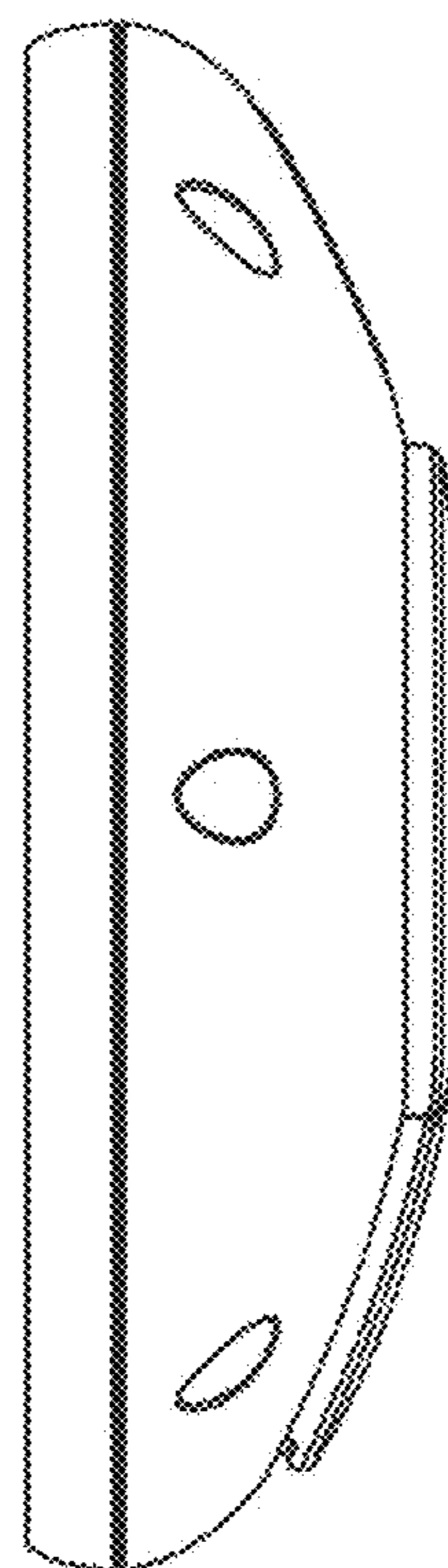


FIG. 5

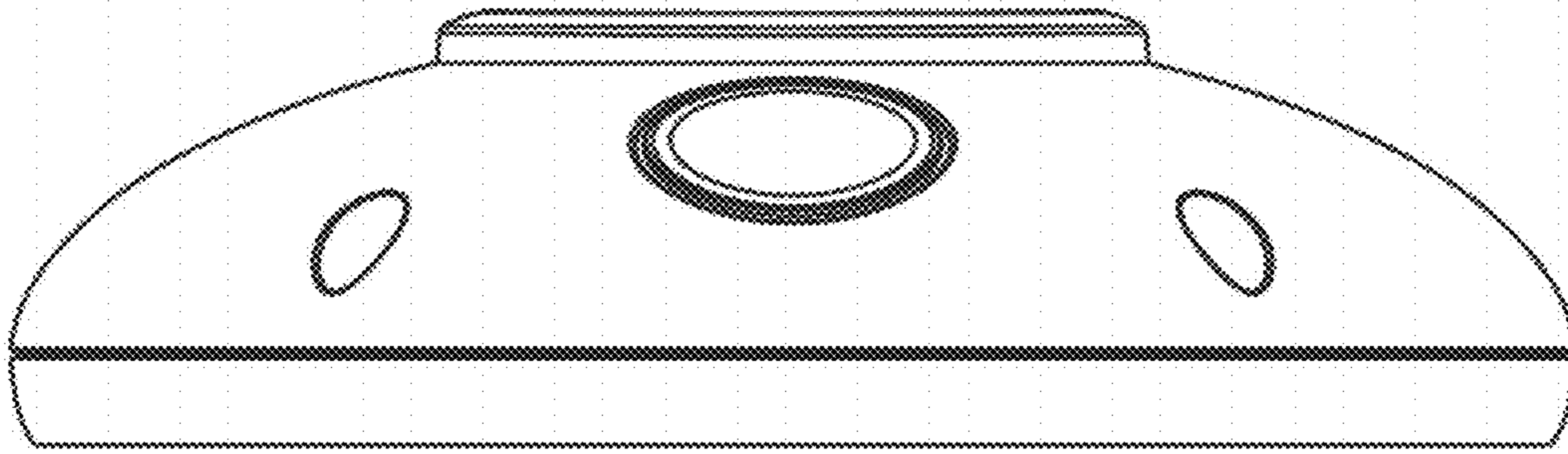


FIG. 6

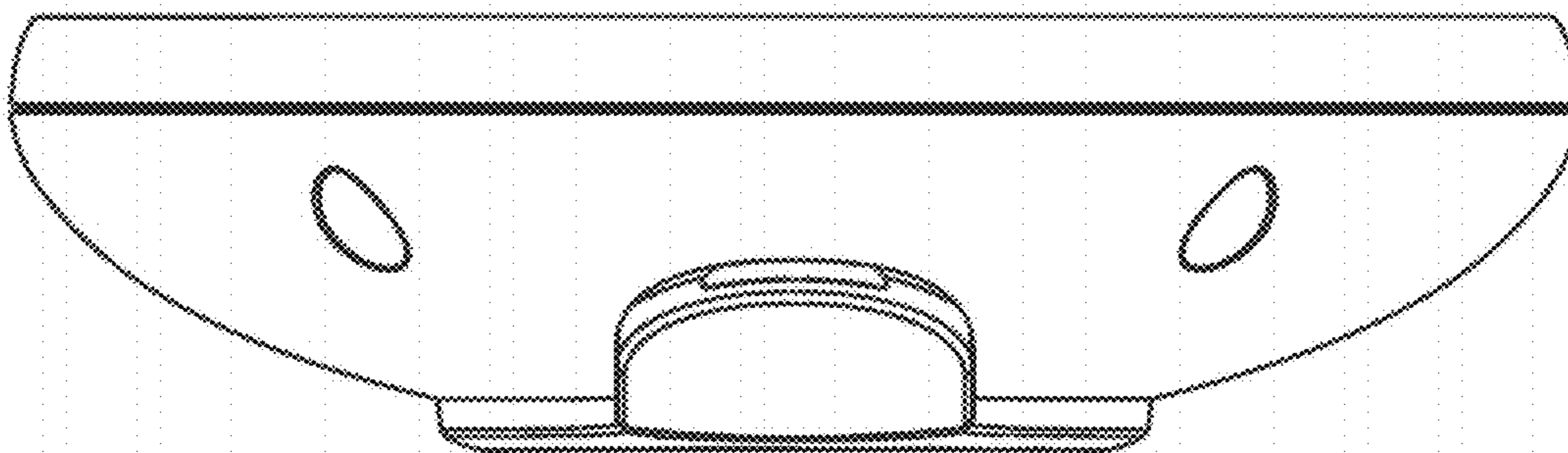


FIG. 7