



US00D913816S

(12) **United States Design Patent** (10) **Patent No.:** **US D913,816 S**
Fu (45) **Date of Patent:** **** Mar. 23, 2021**

(54) **CONTROLLER**

D725,049 S * 3/2015 Paredes D13/168
D726,664 S 4/2015 McCullar et al.
D856,941 S * 8/2019 Chen D13/168

(71) Applicant: **Shenzhen Shuanghongyuan Technology Co., Ltd., Shenzhen (CN)**

* cited by examiner

(72) Inventor: **Hongjian Fu, Shenzhen (CN)**

Primary Examiner — Antoine Duval Davis

(**) Term: **15 Years**

(74) *Attorney, Agent, or Firm* — ZANIP

(21) Appl. No.: **29/743,774**

(22) Filed: **Jul. 24, 2020**

(57) **CLAIM**

(30) **Foreign Application Priority Data**

The ornamental design for a controller, as shown and described.

May 7, 2020 (CN) 202030199080.4

(51) **LOC (13) Cl.** **10-04**

(52) **U.S. Cl.**
USPC **D10/49; D13/168; D14/218**

DESCRIPTION

(58) **Field of Classification Search**
USPC D10/49
CPC G06F 1/1684; G06F 1/1616; H03J 1/0025;
H03J 9/00; H03J 9/02; H03J 9/04; H03J
9/06; H01H 9/0235; H04B 1/202; G08C
17/00; G08C 17/02; G08C 19/28; G08C
23/04; H04M 1/6058; H04R 1/1041
See application file for complete search history.

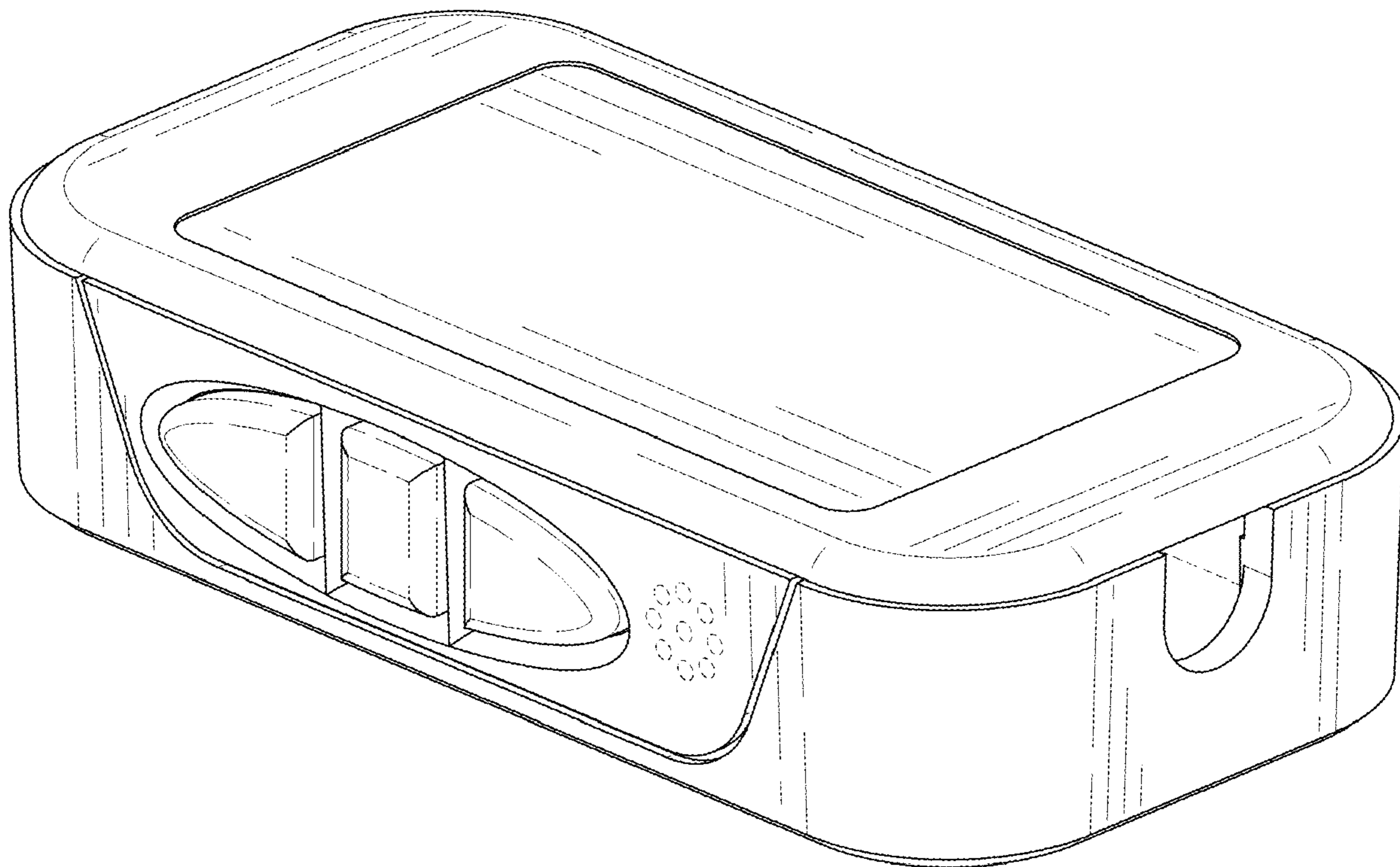
FIG. 1 is a front and top perspective view of a controller, showing my new design;
FIG. 2 is a rear and bottom perspective view thereof;
FIG. 3 is a front elevational view thereof;
FIG. 4 is a rear elevational view thereof;
FIG. 5 is a left side elevational view thereof;
FIG. 6 is a right side elevational view thereof;
FIG. 7 is a top plan view thereof; and,
FIG. 8 is a bottom plan view thereof.
The broken lines in the figures illustrate portions of the article that form no part of the claimed design.

(56) **References Cited**

U.S. PATENT DOCUMENTS

D356,511 S * 3/1995 Zeutzus D10/49
8,408,744 B2 * 4/2013 Szolyga G06F 1/1616
362/253

1 Claim, 8 Drawing Sheets



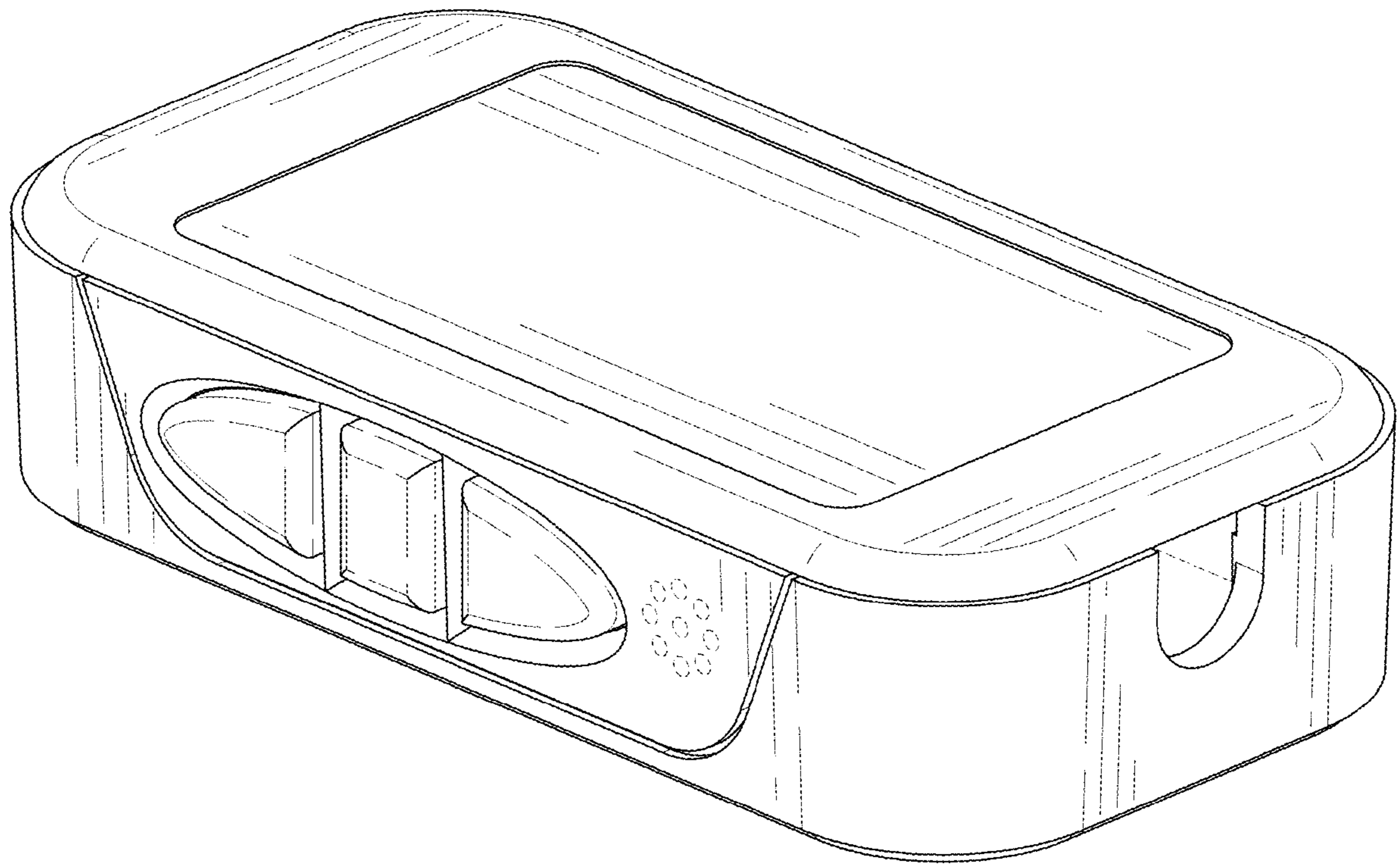


FIG. 1

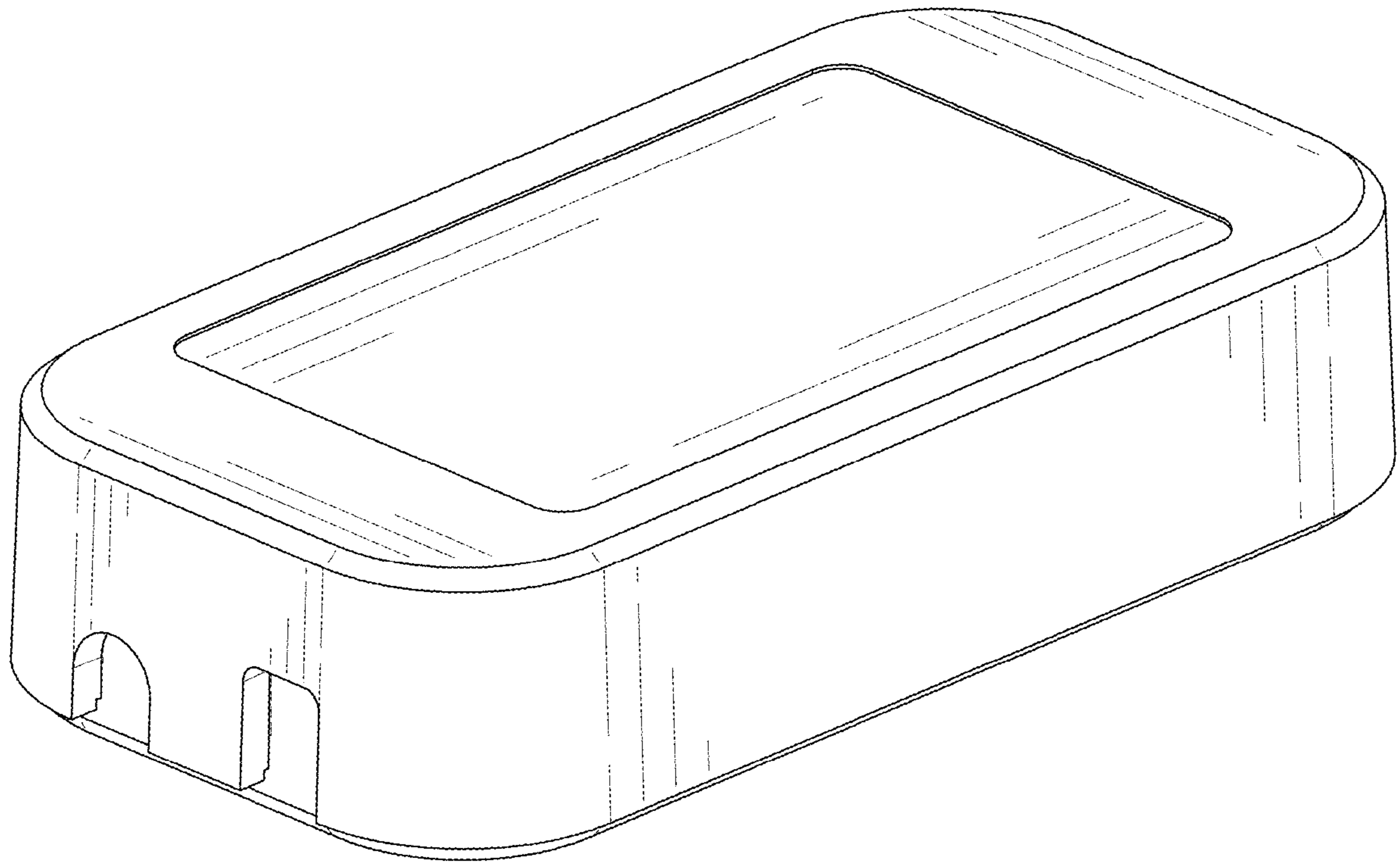


FIG. 2

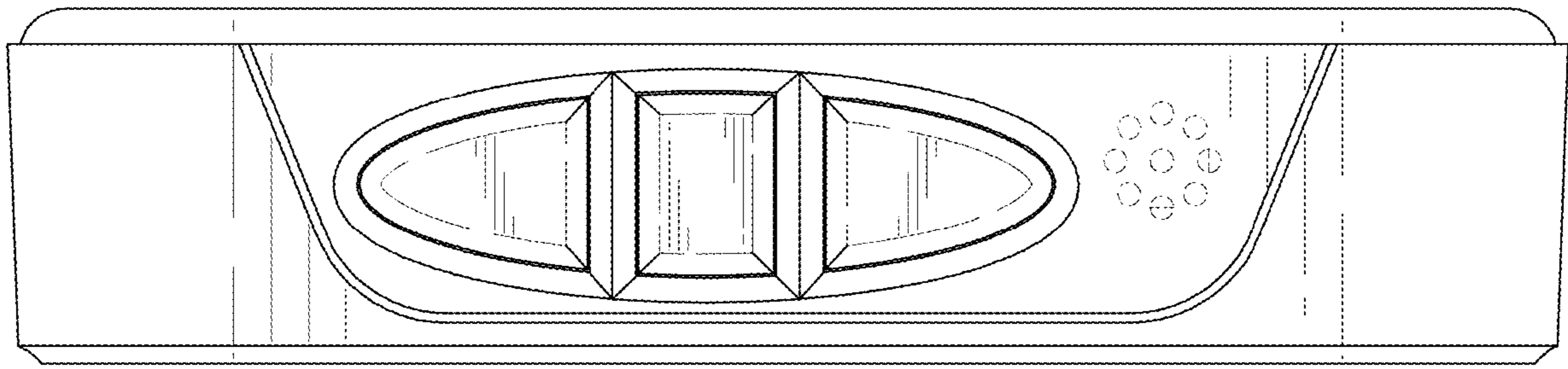


FIG. 3

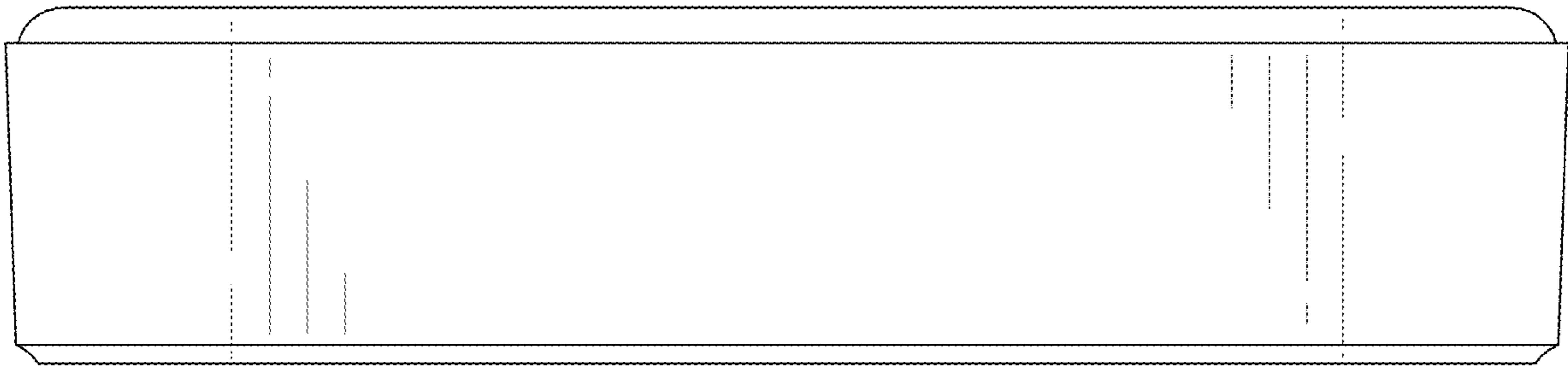


FIG. 4

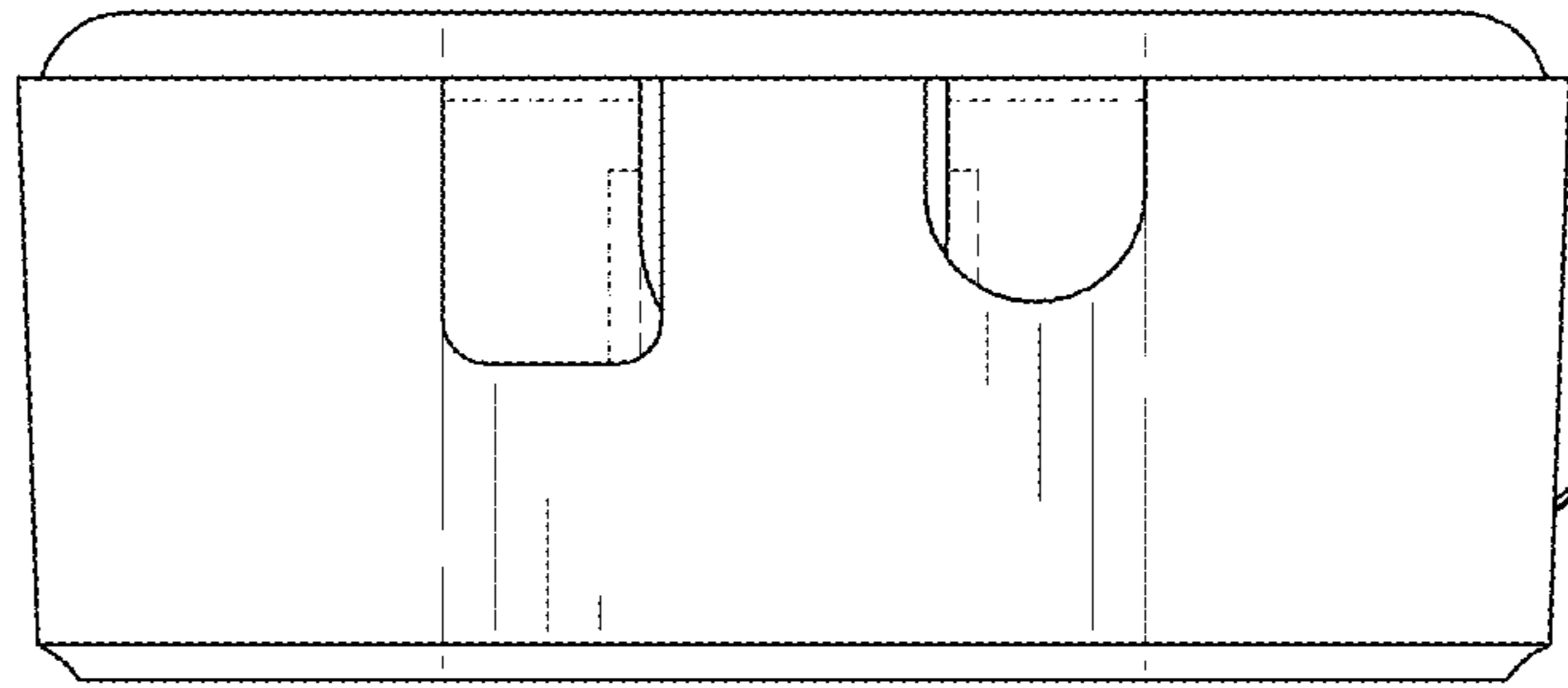


FIG. 5

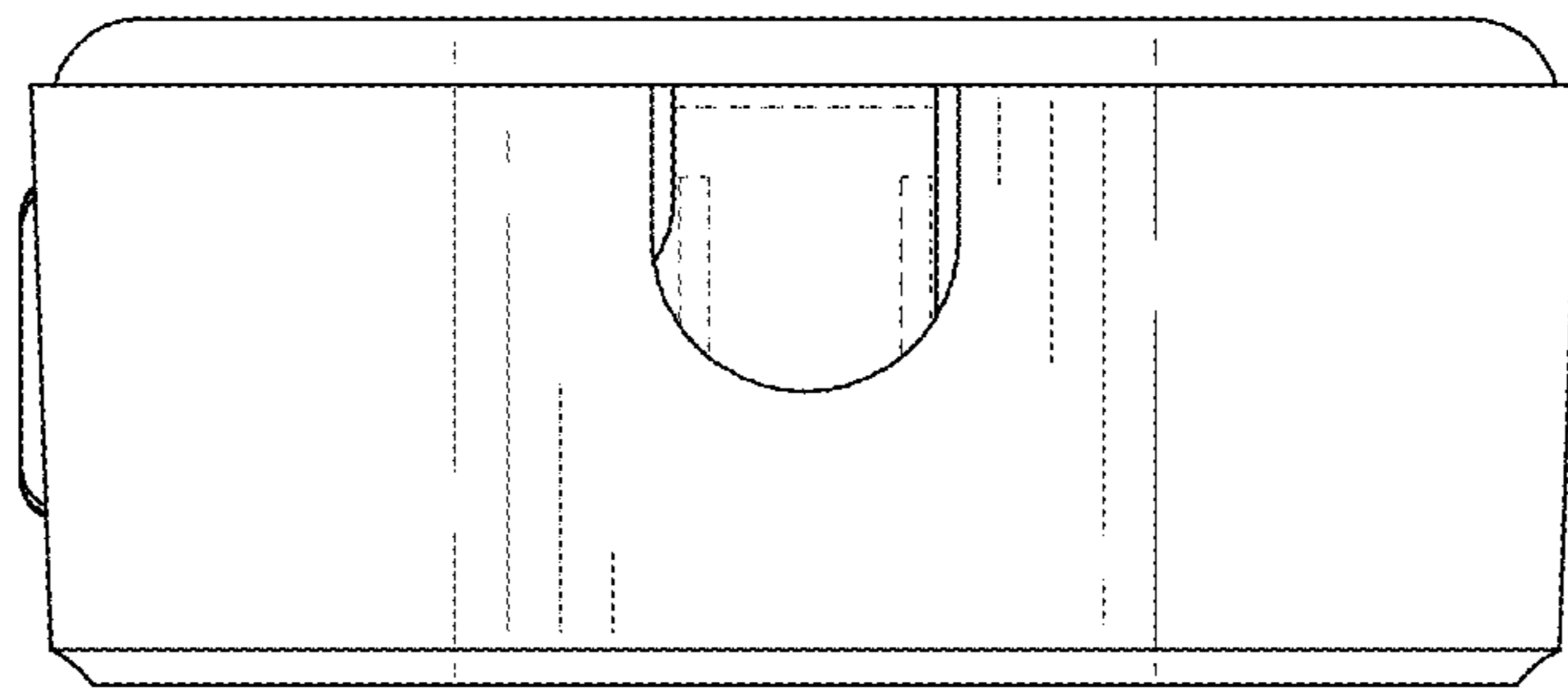


FIG. 6

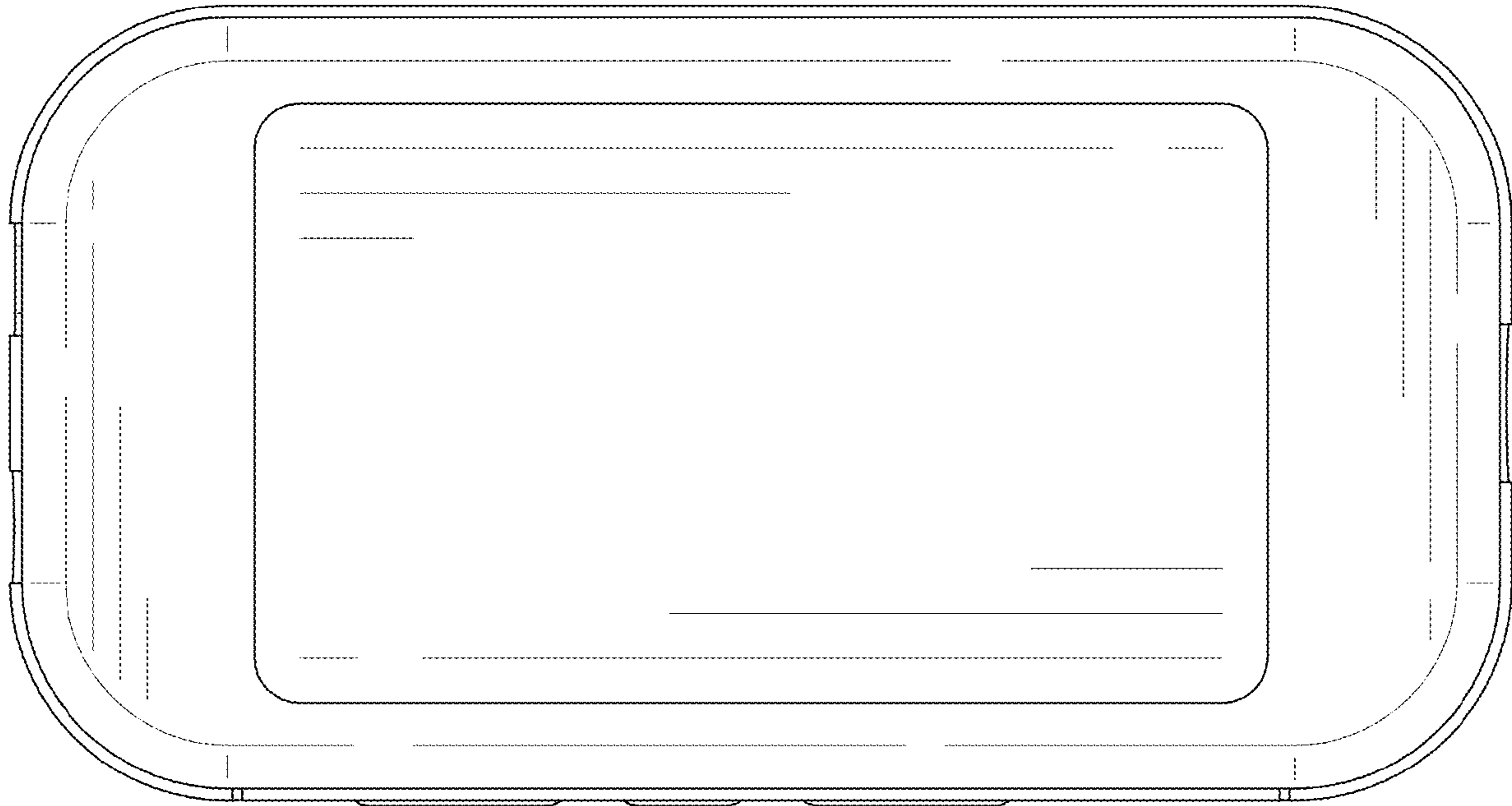


FIG. 7

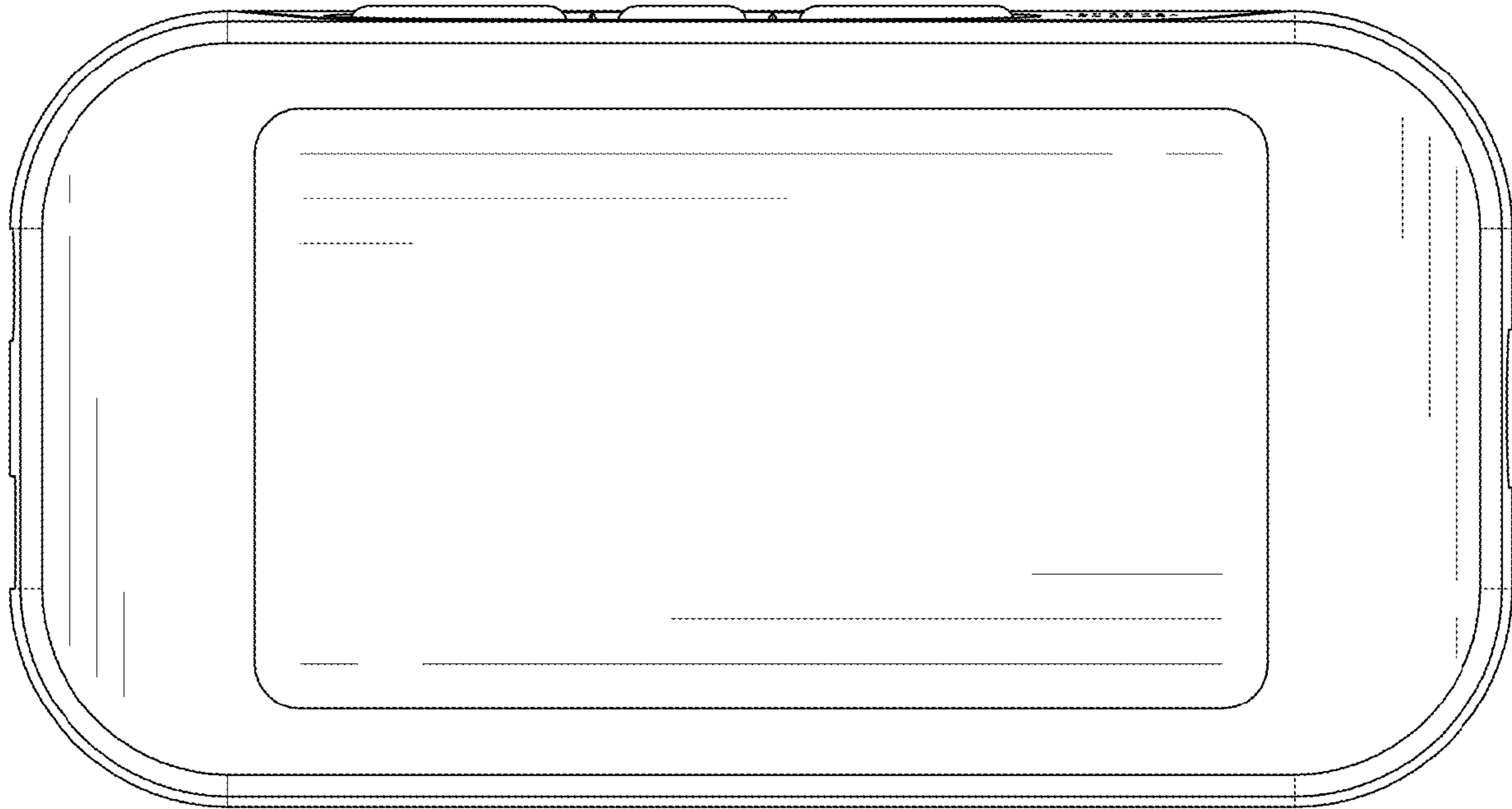


FIG. 8