



US00D913815S

(12) **United States Design Patent** (10) **Patent No.:** **US D913,815 S**  
**Mille** (45) **Date of Patent:** **\*\* Mar. 23, 2021**

(54) **WATCH**  
(71) Applicant: **Turlen Holding SA**, Les Breuleux (CH)  
(72) Inventor: **Richard Mille**, Moulins (FR)  
(73) Assignee: **TURLEN HOLDING SA**, Les Breuleux (CH)

D570,710 S \* 6/2008 Wong ..... D10/30  
D595,595 S \* 7/2009 Sirmakes ..... D10/32  
D606,888 S \* 12/2009 Mille ..... D10/38  
D617,211 S \* 6/2010 Grimoldi ..... D10/38  
D650,708 S \* 12/2011 Laucella ..... D10/39  
D692,323 S \* 10/2013 Mille ..... D10/39  
D710,216 S \* 8/2014 Mille ..... D10/38  
D713,743 S \* 9/2014 Mille ..... D10/39

(Continued)

(\*\*) Term: **15 Years**  
(21) Appl. No.: **29/693,155**  
(22) Filed: **May 31, 2019**

(30) **Foreign Application Priority Data**

Dec. 3, 2018 (WO) ..... 970003099

(51) **LOC (13) Cl.** ..... **10-02**  
(52) **U.S. Cl.**  
USPC ..... **D10/39**

(58) **Field of Classification Search**  
USPC ..... D10/30-39, 70, 97-98, 121-126, 128, D10/131  
CPC ..... G04B 19/00; G04B 19/025; G04B 19/04; G04B 19/048; G04B 19/08; G04B 19/085; G04B 19/10; G04B 19/12; G04B 19/226; G04B 19/23; G04B 37/00; G04B 37/0058; G04B 45/00; G04B 45/02; G04B 45/0061; G04B 45/0069; G04B 45/0076; G04G 19/06; G04G 19/065; G04G 19/087; G04G 19/24; G04G 19/243; G04G 19/24306; G04G 19/247  
See application file for complete search history.

(56) **References Cited**

**U.S. PATENT DOCUMENTS**

D11,689 S \* 3/1880 Johnson ..... D10/131  
D245,400 S \* 8/1977 Osawa ..... D10/30  
D456,274 S \* 4/2002 Mille ..... D10/30  
D559,722 S \* 1/2008 Krieger ..... D10/131

**OTHER PUBLICATIONS**

SIHH 2019 Richard Mille Bonbon Collection | posted at timeandtidewatches.com Jan. 28 2019 [online]. © 2020 Time and Watches [retrieved Sep. 11, 2020] from Internet: <https://www.timeandwatches.com/2019/01/sihh-2019-richard-mille-bonbon.html> (Year: 2019).\*

(Continued)

*Primary Examiner* — Katherine Glennon  
(74) *Attorney, Agent, or Firm* — Donald J. Ranft; Collen

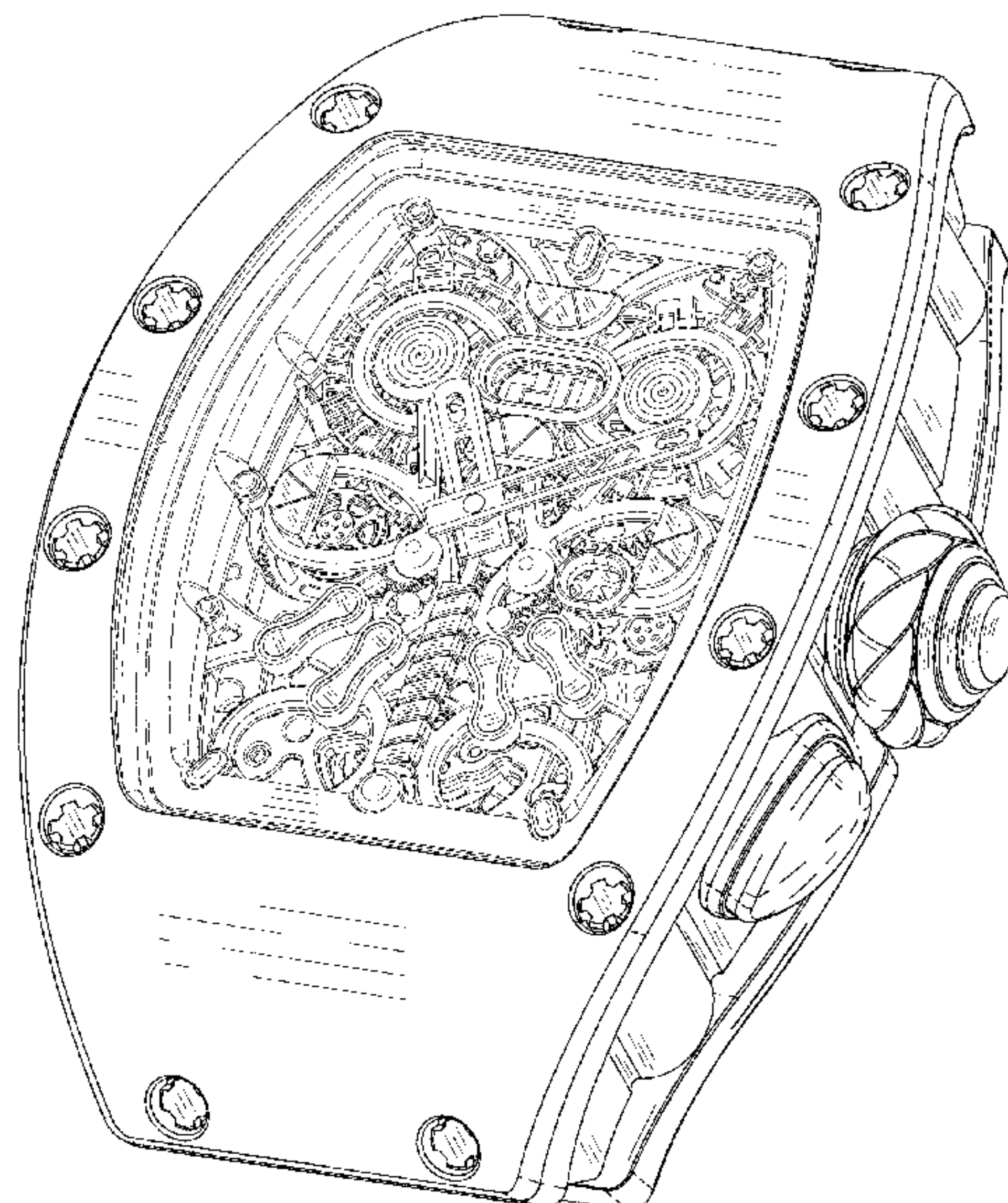
(57) **CLAIM**

The ornamental design for a watch, as shown and described.

**DESCRIPTION**

FIG. 1 is a front right perspective view of a watch showing my new design;  
FIG. 2 is a rear right perspective view thereof;  
FIG. 3 is a front view thereof;  
FIG. 4 is a rear view thereof;  
FIG. 5 is a bottom view thereof;  
FIG. 6 is a top view thereof;  
FIG. 7 is a right side view thereof;  
FIG. 8 is a left side view thereof;  
FIG. 9 is a front left perspective view thereof; and,  
FIG. 10 is a rear left perspective view thereof.  
The portions of the watch shown in broken lines form no part of the claimed design.

**1 Claim, 10 Drawing Sheets**



(56)

**References Cited**

U.S. PATENT DOCUMENTS

D714,662 S \* 10/2014 Mille ..... D10/39  
D715,164 S \* 10/2014 Tedeschi ..... D10/38  
D743,814 S \* 11/2015 Miodrag ..... D10/39  
D755,646 S \* 5/2016 Mille ..... D10/39  
D823,140 S \* 7/2018 Mille ..... D10/39  
D858,316 S \* 9/2019 Behling ..... D10/39  
2008/0192583 A1\* 8/2008 Buttet ..... G04B 45/02  
368/127  
2014/0086025 A1\* 3/2014 Giguet ..... G09F 23/16  
368/220  
2014/0334273 A1\* 11/2014 Tako ..... G04B 45/00  
368/285  
2017/0168460 A1\* 6/2017 Willemin ..... G04C 10/02

OTHER PUBLICATIONS

Richard Mille Colorful Candy-Inspired BonBon Timepieces | posted at [highsnobiety.com](https://www.highsnobiety.com) Jan. 2019 [online]. [retrieved Sep. 10, 2020 ] from Internet: <<https://www.highsnobiety.com/p/richard-mille-bonbon-collection/#slide-3>> (Year: 2019).\*

\* cited by examiner





FIG. 1





FIG. 2





FIG. 3





FIG. 4

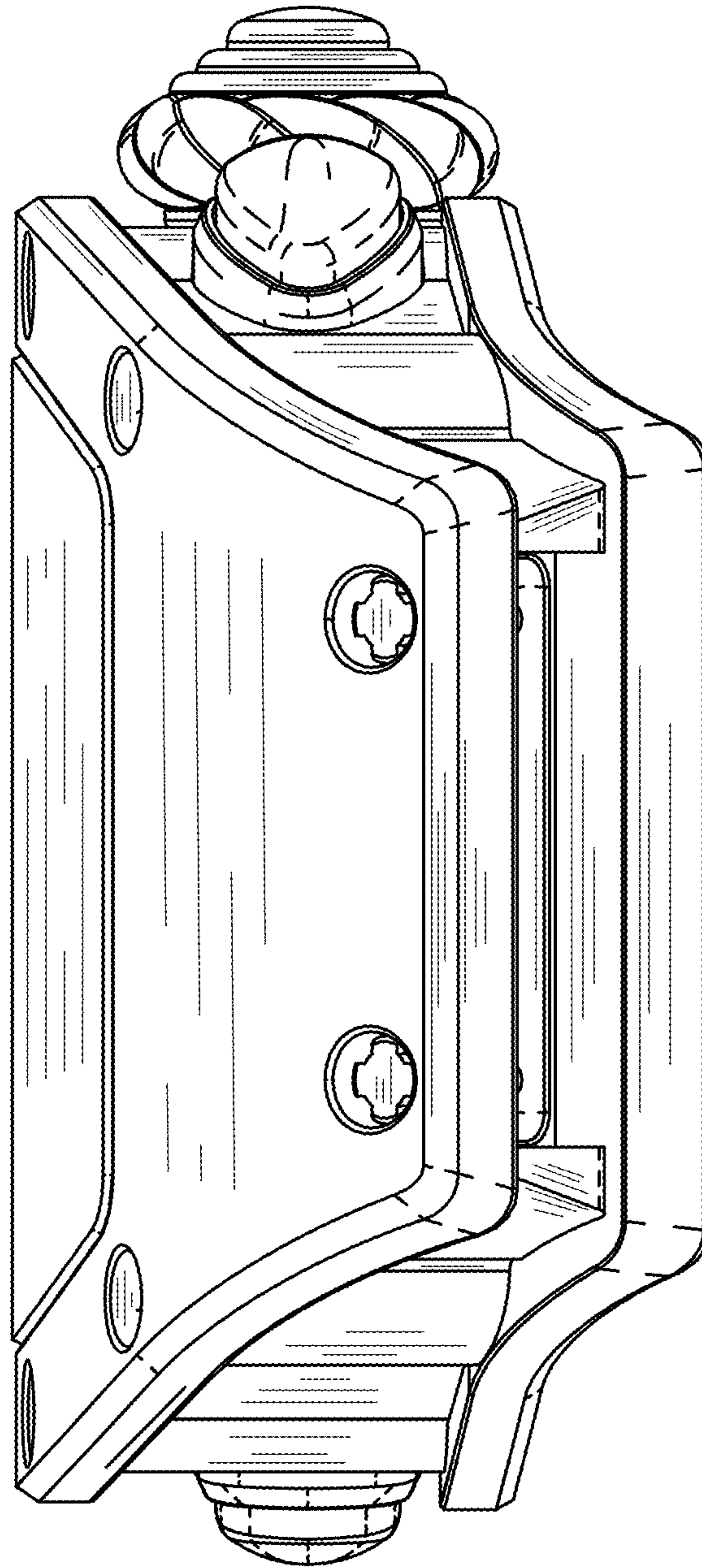


FIG. 5

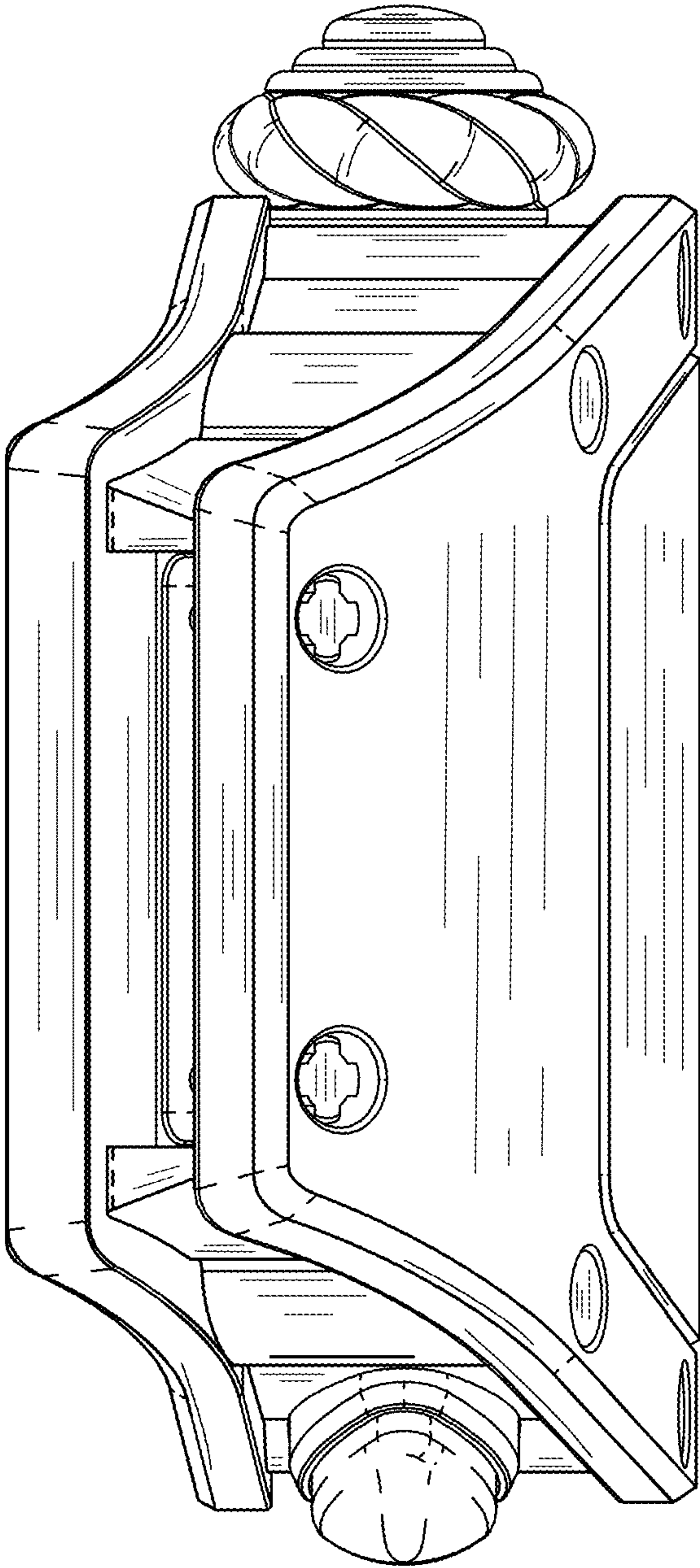


FIG. 6



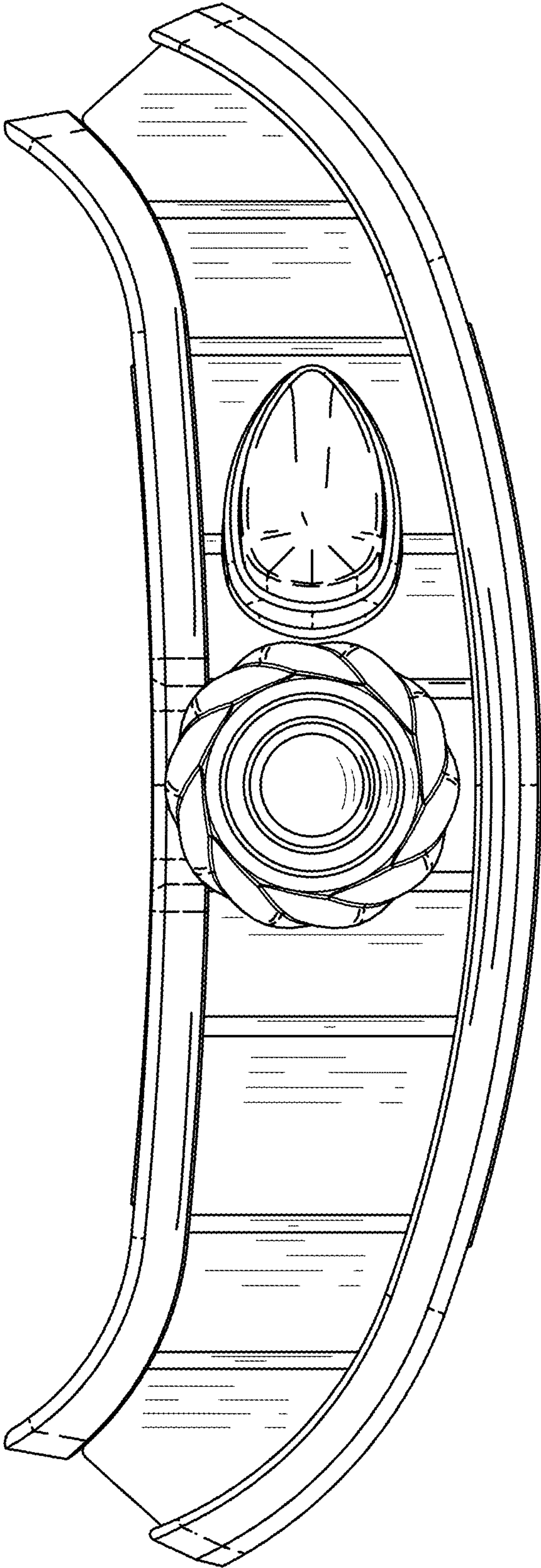


FIG. 7

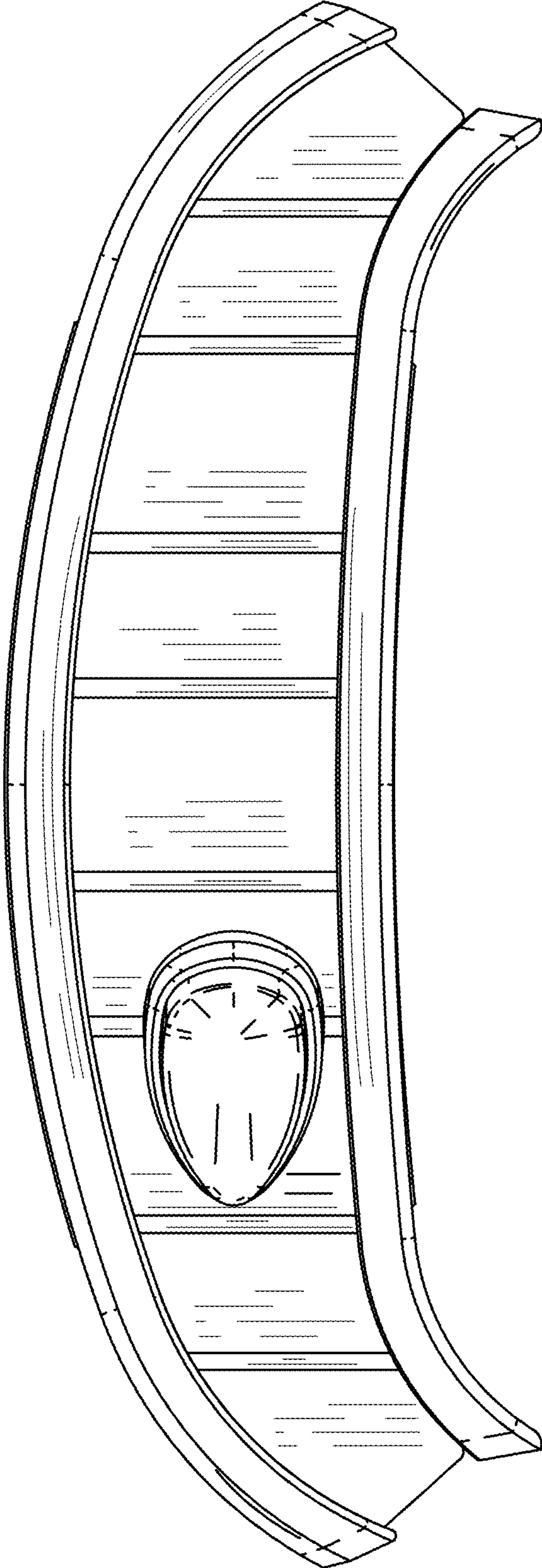


FIG. 8





FIG. 9



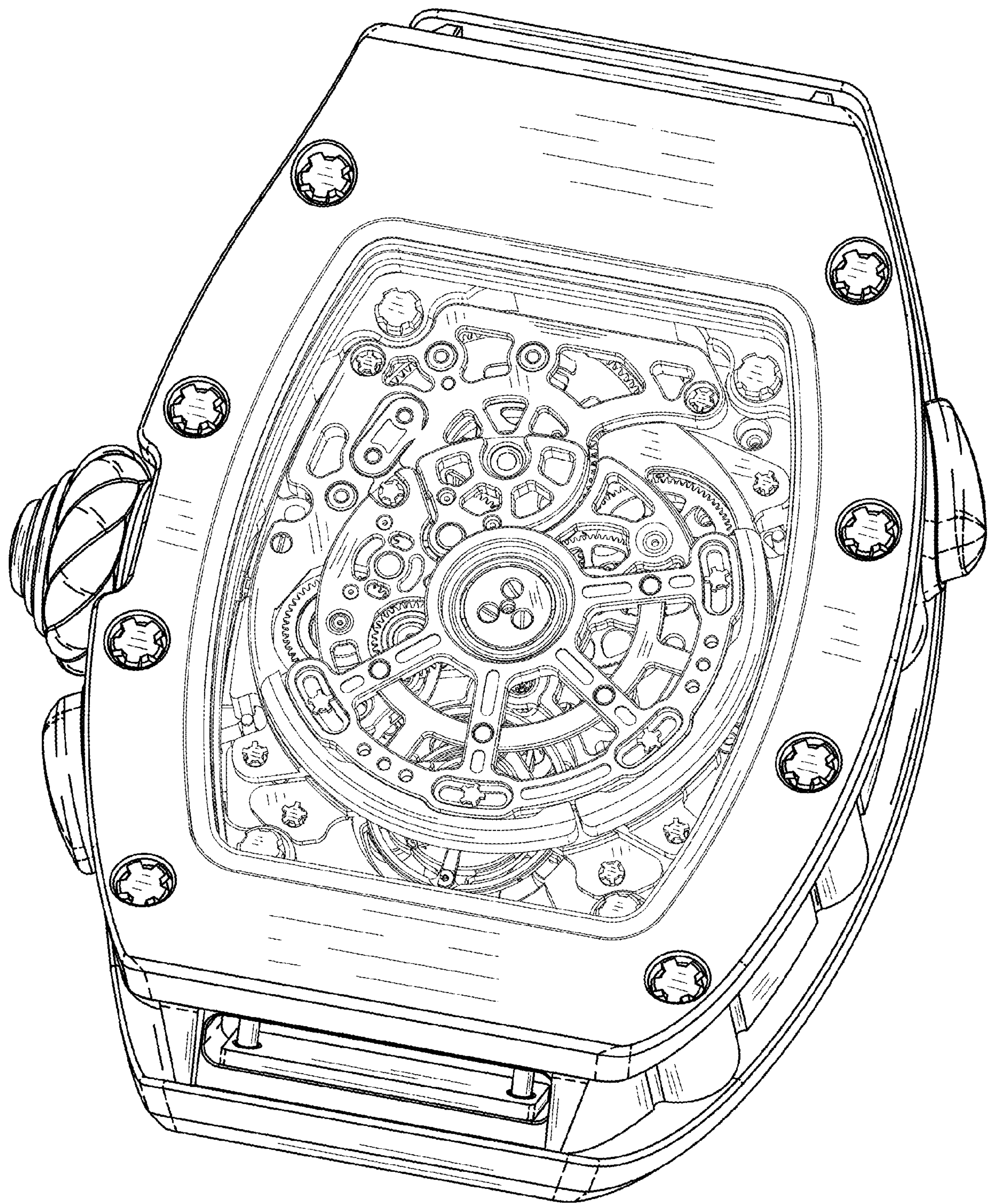


FIG. 10