



US00D913814S

(12) **United States Design Patent**
Mille

(10) **Patent No.:** **US D913,814 S**

(45) **Date of Patent:** **** Mar. 23, 2021**

(54) **WATCH**
(71) Applicant: **Turlen Holding SA**, Les Breuleux (CH)
(72) Inventor: **Richard Mille**, Moulins (FR)
(73) Assignee: **TURLEN HOLDING SA**, Les Breuleux (CH)
(**) Term: **15 Years**

D456,274 S * 4/2002 Mille D10/30
D570,710 S * 6/2008 Wong D10/30
D595,595 S * 7/2009 Sirmakes D10/32
D606,888 S * 12/2009 Mille D10/38
D617,211 S * 6/2010 Grimoldi D10/38
D650,708 S * 12/2011 Laucella D10/39
D661,602 S * 6/2012 Calce D10/32
D692,323 S * 10/2013 Mille D10/39
D710,216 S * 8/2014 Mille D10/38
D713,743 S * 9/2014 Mille D10/39
D714,662 S * 10/2014 Mille D10/39

(Continued)

(21) Appl. No.: **29/693,149**
(22) Filed: **May 31, 2019**

(30) **Foreign Application Priority Data**

Dec. 3, 2018 (WO) WIPO 77632

(51) **LOC (13) Cl.** **10-02**

(52) **U.S. Cl.**
USPC **D10/39**

(58) **Field of Classification Search**
USPC D10/30-39, 70, 97-98, 121-126, 128, D10/131
CPC G04B 19/00; G04B 19/025; G04B 19/04; G04B 19/048; G04B 19/08; G04B 19/085; G04B 19/10; G04B 19/12; G04B 19/226; G04B 19/23; G04B 37/00; G04B 37/0058; G04B 45/00; G04B 45/02; G04B 45/0038; G04B 45/0061; G04B 45/0069; G04B 45/0076; G04G 19/06; G04G 19/065; G04G 19/087; G04G 19/24; G04G 19/243; G04G 19/24306; G04G 19/247

See application file for complete search history.

(56) **References Cited**

U.S. PATENT DOCUMENTS

D41,782 S * 9/1911 Johnson D10/131
D245,400 S * 8/1977 Osawa D10/30
D438,473 S * 3/2001 Dumas D10/39

OTHER PUBLICATIONS

SIHH 2019 Richard Mille Bonbon Collection | posted at timeandtidewatches.com Jan. 28 2019 [online]. © 2020 Time and Watches [retrieved Sep. 11, 2020] from Internet: <https://www.timeandwatches.com/2019/01/sihh-2019-richard-mille-bonbon.html> (Year: 2019).*

(Continued)

Primary Examiner — Katherine Glennon
(74) *Attorney, Agent, or Firm* — Donald J. Ranft; Collen

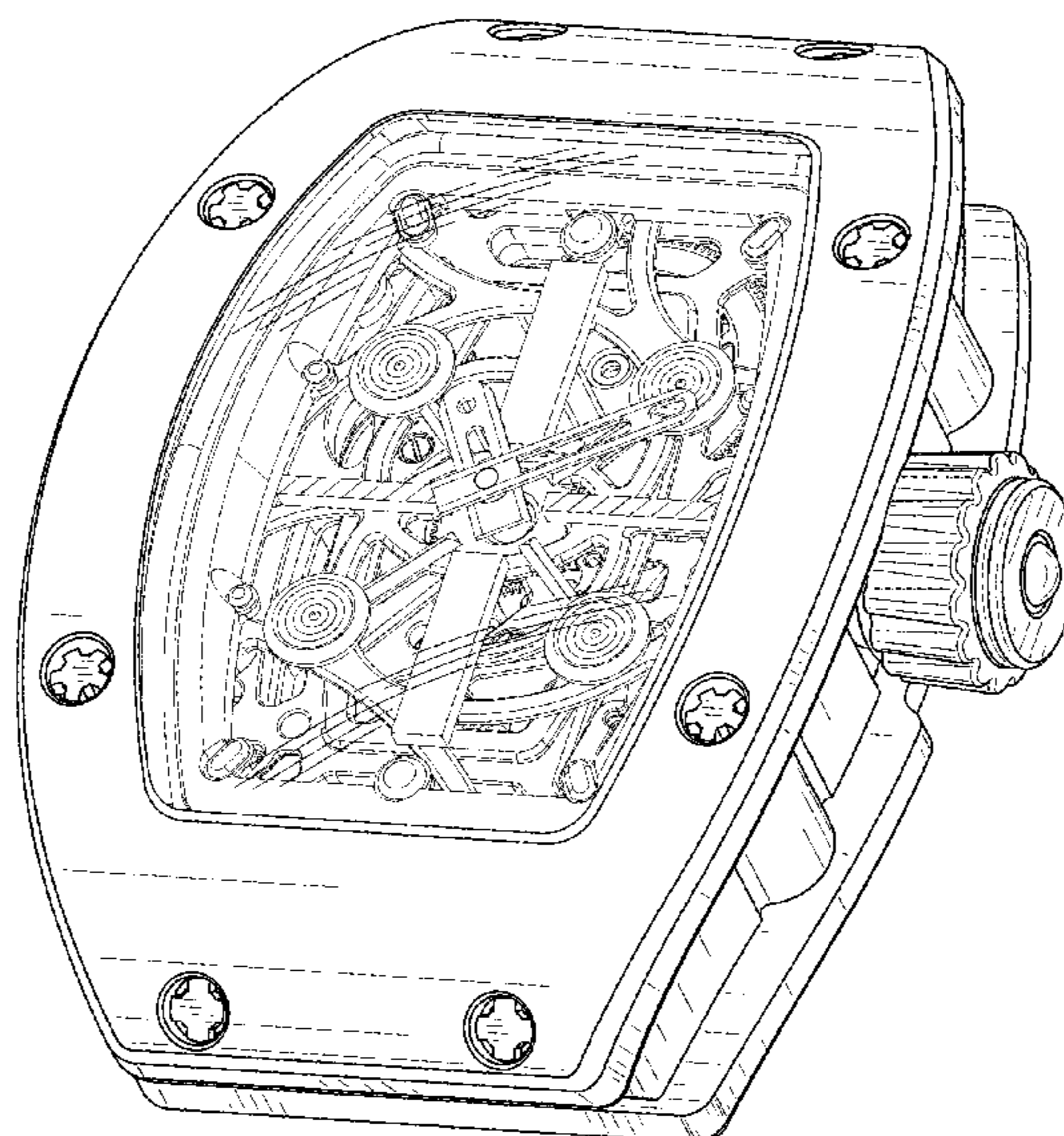
(57) **CLAIM**

The ornamental design for a watch, as shown.

DESCRIPTION

FIG. 1 is a front right perspective view of a watch showing my new design;
FIG. 2 is a rear left perspective view thereof;
FIG. 3 is a front view thereof;
FIG. 4 is a rear view thereof;
FIG. 5 is a left side view thereof;
FIG. 6 is a right side view thereof;
FIG. 7 is a top view thereof;
FIG. 8 is a bottom view thereof;
FIG. 9 is a front left perspective view thereof; and,
FIG. 10 is a rear right perspective view thereof.

1 Claim, 8 Drawing Sheets



(56)

References Cited

U.S. PATENT DOCUMENTS

D715,164 S * 10/2014 Tedeschi D10/38
D725,531 S * 3/2015 Gueit D10/131
D743,814 S * 11/2015 Miodrag D10/39
D755,646 S * 5/2016 Mille D10/39
D823,140 S * 7/2018 Mille D10/39
D858,316 S * 9/2019 Behling D10/39
2008/0192583 A1* 8/2008 Buttet G04B 45/02
368/127
2014/0086025 A1* 3/2014 Giguet G09F 23/16
368/220
2014/0334273 A1* 11/2014 Tako G04B 45/00
368/285
2017/0168460 A1* 6/2017 Willemin G04C 10/02

OTHER PUBLICATIONS

Richard Mille Colorful Candy-Inspired BonBon Timepieces | posted at [highsnobiety.com](https://www.highsnobiety.com) Jan. 2019 [online]. [retrieved Sep. 10, 2020] from Internet: <<https://www.highsnobiety.com/p/richard-mille-bonbon-collection/#slide-3>> (Year: 2019).*

* cited by examiner



FIG. 1



FIG. 2



FIG. 3



FIG. 4

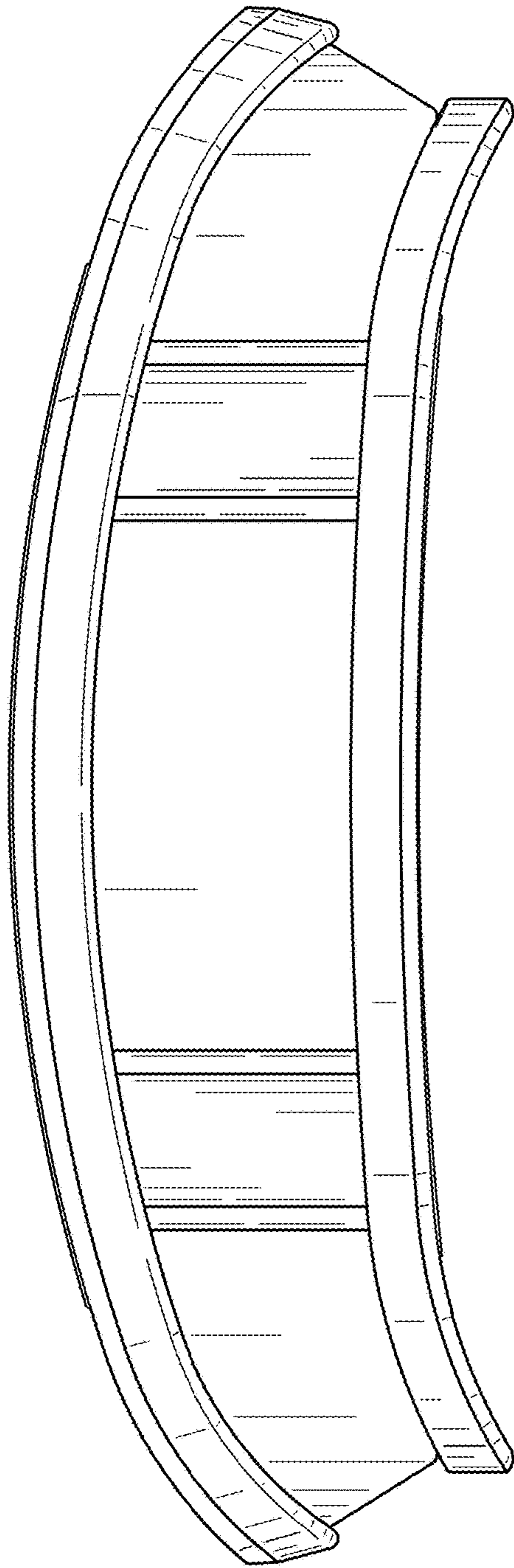


FIG. 5

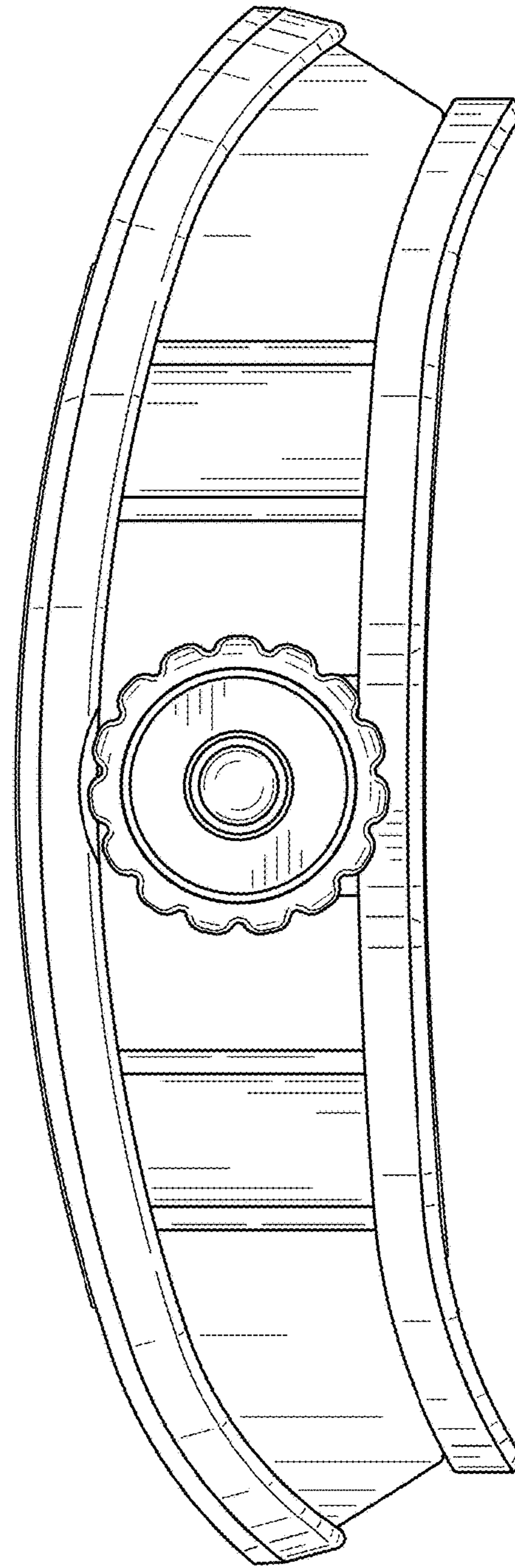


FIG. 6

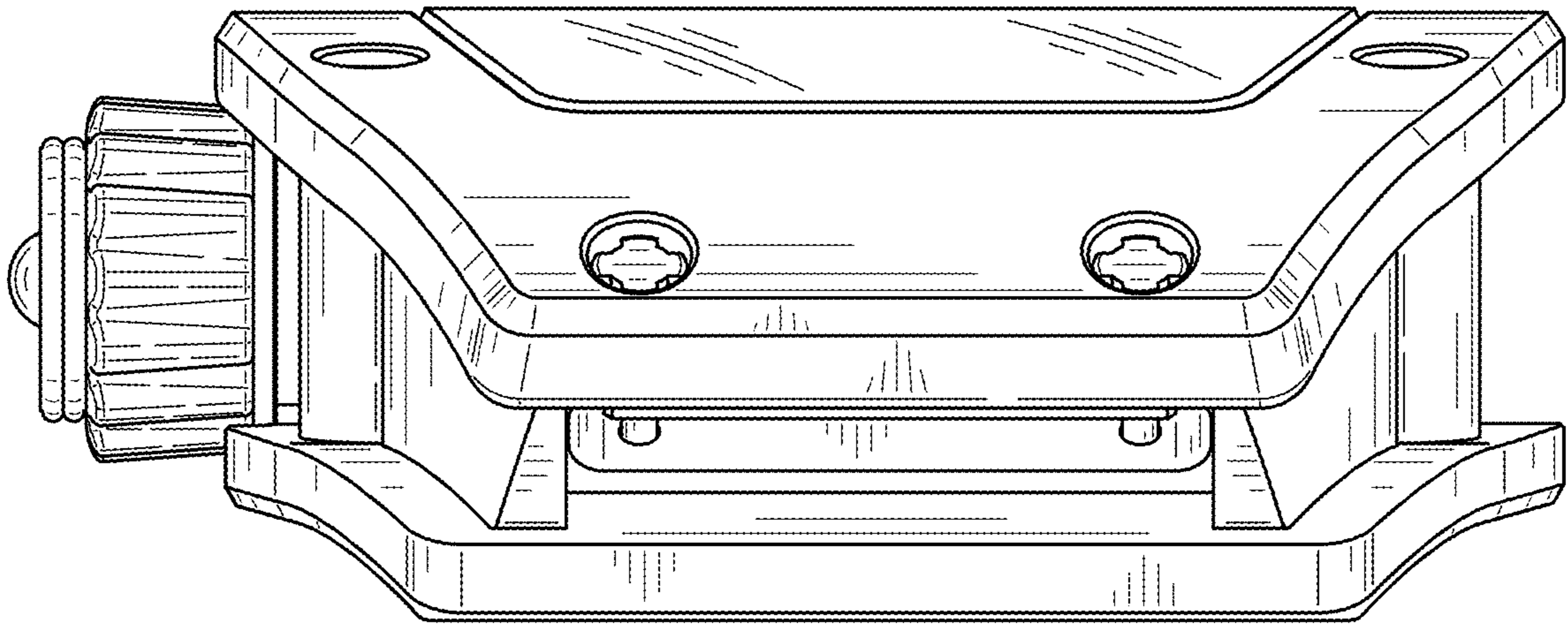


FIG. 7

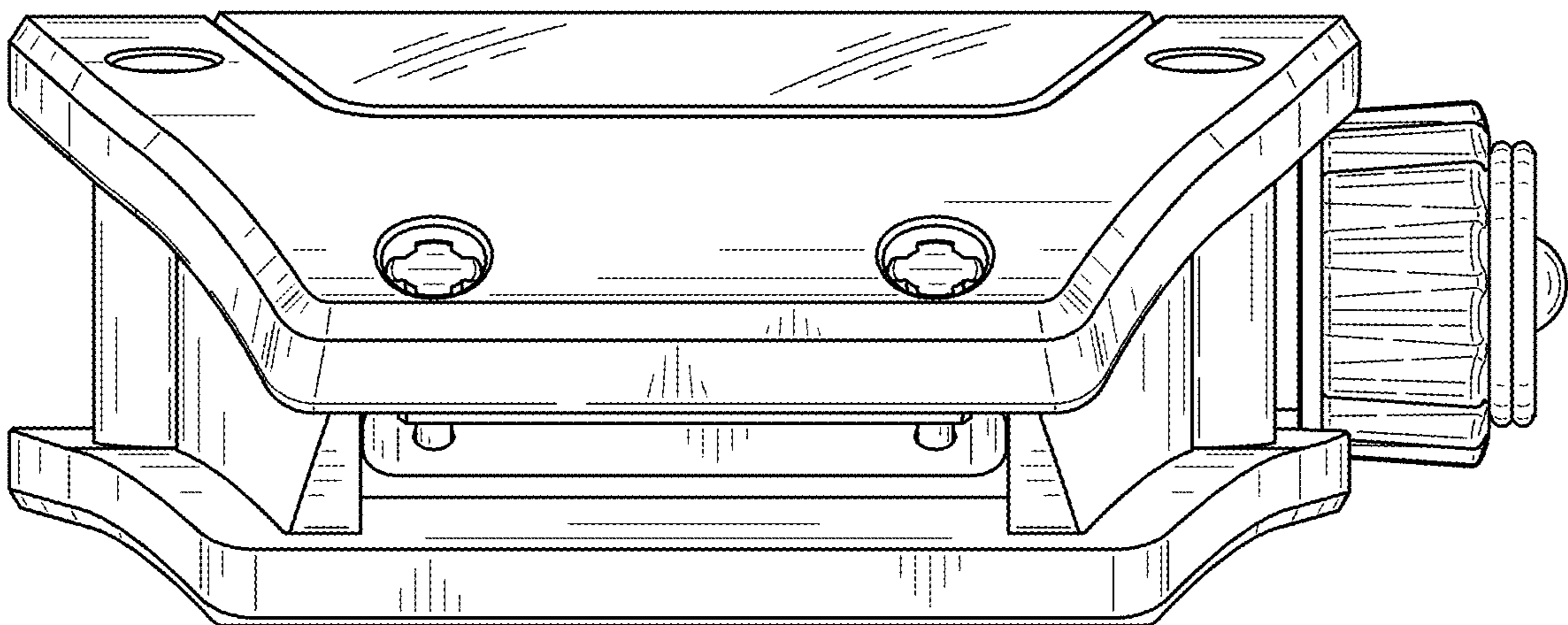


FIG. 8



FIG. 9

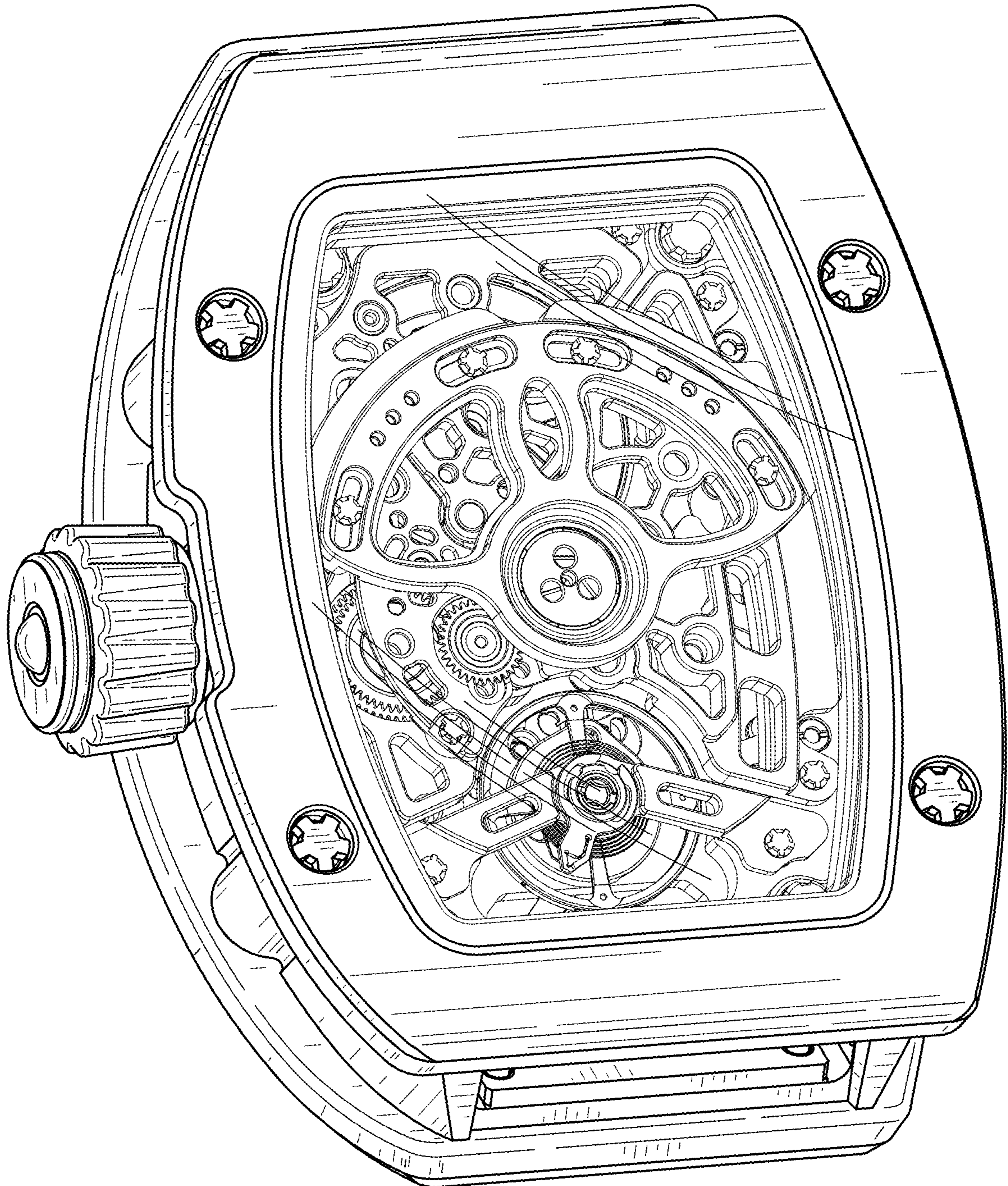


FIG. 10