



US00D913810S

(12) **United States Design Patent** (10) **Patent No.:** **US D913,810 S**
Stern (45) **Date of Patent:** **** Mar. 23, 2021**

(54) **WATCH PUSHER**

(56) **References Cited**

(71) Applicant: **PATEK PHILIPPE SA GENEVE,**
Geneva (CH)

U.S. PATENT DOCUMENTS

(72) Inventor: **Thierry Stern,** Geneva (CH)

D445,343	S	*	7/2001	Schneider	D10/30
D562,704	S	*	2/2008	Lalo	D10/32
D563,802	S	*	3/2008	Loth	D10/39
D565,431	S	*	4/2008	Hatt	D10/38
D565,987	S	*	4/2008	Krieger	D10/126
D566,581	S	*	4/2008	Giannini	D10/32
D568,178	S	*	5/2008	Giannini	D10/32
D571,230	S	*	6/2008	Krieger	D10/39
D574,733	S	*	8/2008	Blair	D10/32
D582,792	S	*	12/2008	Lalo	D10/38
D586,668	S	*	2/2009	Dias	D10/38
D589,378	S	*	3/2009	Takahashi	D10/32
D605,533	S	*	12/2009	Schoepfer	D10/38
D609,583	S	*	2/2010	Lalo	D10/32
D609,584	S	*	2/2010	Lalo	D10/32
D609,587	S	*	2/2010	Lalo	D10/38
D666,924	S	*	9/2012	Ahlstrom	D10/32
D666,925	S	*	9/2012	Ahlstrom	D10/32
D672,664	S	*	12/2012	Monachon	D10/32
D682,713	S	*	5/2013	Vaptzarof	D10/39

(73) Assignee: **PATEK PHILIPPE SA GENEVE,**
Geneva (CH)

(**) Term: **15 Years**

(21) Appl. No.: **29/701,212**

(22) Filed: **Aug. 9, 2019**

Related U.S. Application Data

(62) Division of application No. 35/505,628, filed on Mar. 14, 2018 (U.S. filing date under 35 U.S.C. 384), and having an international filing date of Mar. 14, 2018, now Pat. No. Des. 870,571.

Foreign Application Priority Data

Mar. 14, 2018 (WO) DM/100 719

(51) **LOC (13) Cl.** **10-07**

(52) **U.S. Cl.**
USPC **D10/38**
CPC **A41D 19/0027** (2013.01)

(58) **Field of Classification Search**
USPC D10/30-39, 42, 122-128; 368/28, 223, 368/228, 232
CPC G04B 17/00; G04B 17/02; G04B 17/005; G04B 17/285; G04B 37/00; G04B 37/0058; G04B 45/00; G04B 45/02; G04B 45/0038; G04B 45/0069; G04B 45/0076; G04B 29/00; G04B 19/268

See application file for complete search history.

(Continued)

Primary Examiner — Richard E Chilcot
(74) *Attorney, Agent, or Firm* — Nixon & Vanderhye

(57) **CLAIM**

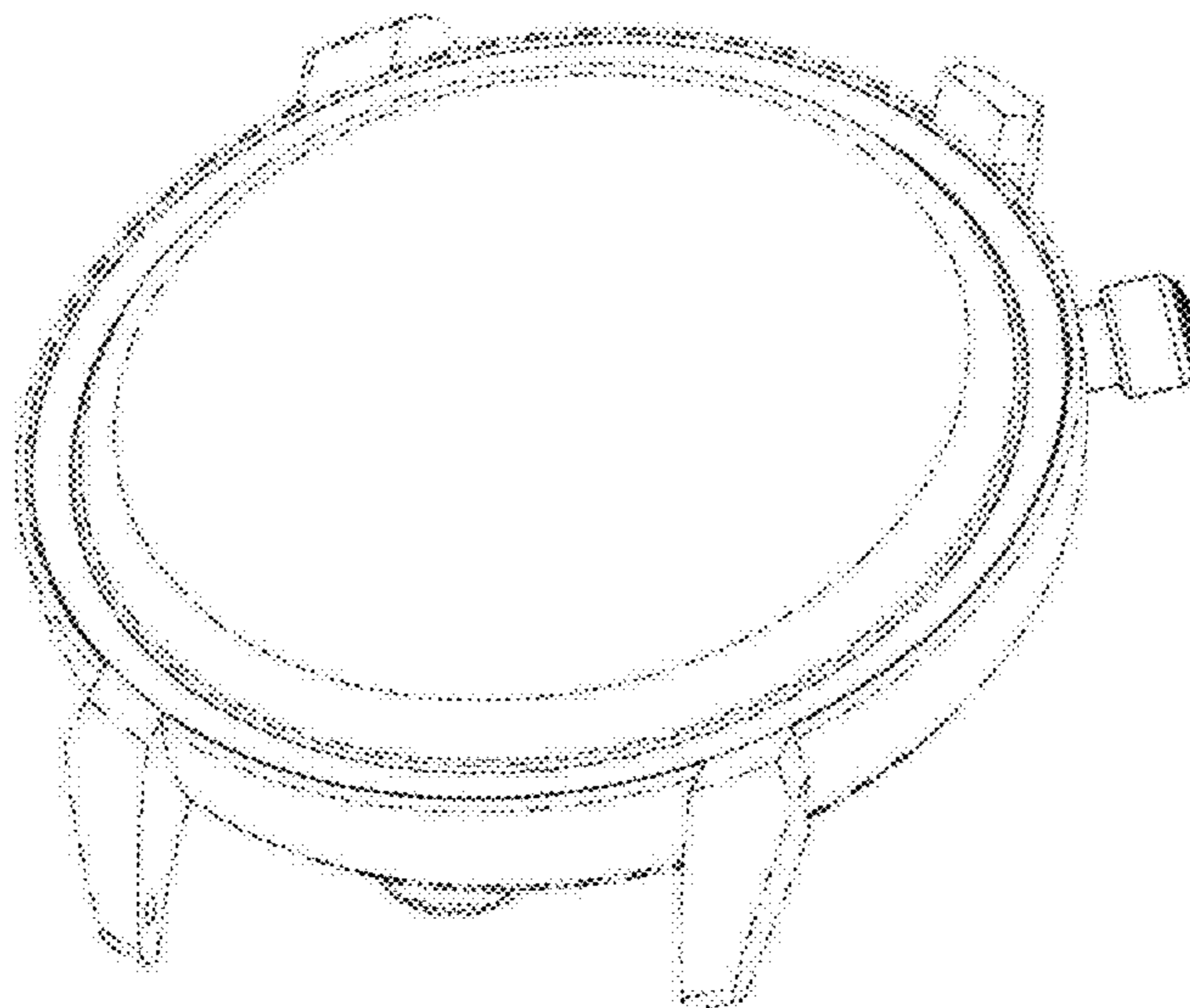
The ornamental design for watch pusher, as shown and described.

DESCRIPTION

FIG. 1 is a front elevation view of watch pusher showing the new design;
FIG. 2 is a rear elevation view thereof;
FIG. 3 is a bottom plan view thereof;
FIG. 4 is a top plan;
FIG. 5 is a left side elevation view thereof;
FIG. 6 is a right side elevation view thereof; and,
FIG. 7 is a front, bottom, and left side perspective view thereof.

The broken lines showing a watch case are included for the purpose of illustrating environmental structure, and form no part of the claimed design.

1 Claim, 7 Drawing Sheets



(56)

References Cited

U.S. PATENT DOCUMENTS

D720,240 S	*	12/2014	Takahashi	D10/39
D731,327 S	*	6/2015	Schoepfer	D10/39
D732,981 S	*	6/2015	Waecker	D10/38
D740,695 S	*	10/2015	Waecker	D10/38
D784,829 S	*	4/2017	Kita	D10/38
D793,871 S	*	8/2017	Lasserre	D10/30
D817,194 S	*	5/2018	Monachon	D10/39
D828,185 S	*	9/2018	Savolainen	D10/38
D836,008 S	*	12/2018	Schoepfer	D10/39
D848,865 S	*	5/2019	Behling	D10/32
D850,292 S	*	6/2019	Dicks	D10/30
D850,295 S	*	6/2019	Behling	D10/39
D850,936 S	*	6/2019	Behling	D10/32

* cited by examiner

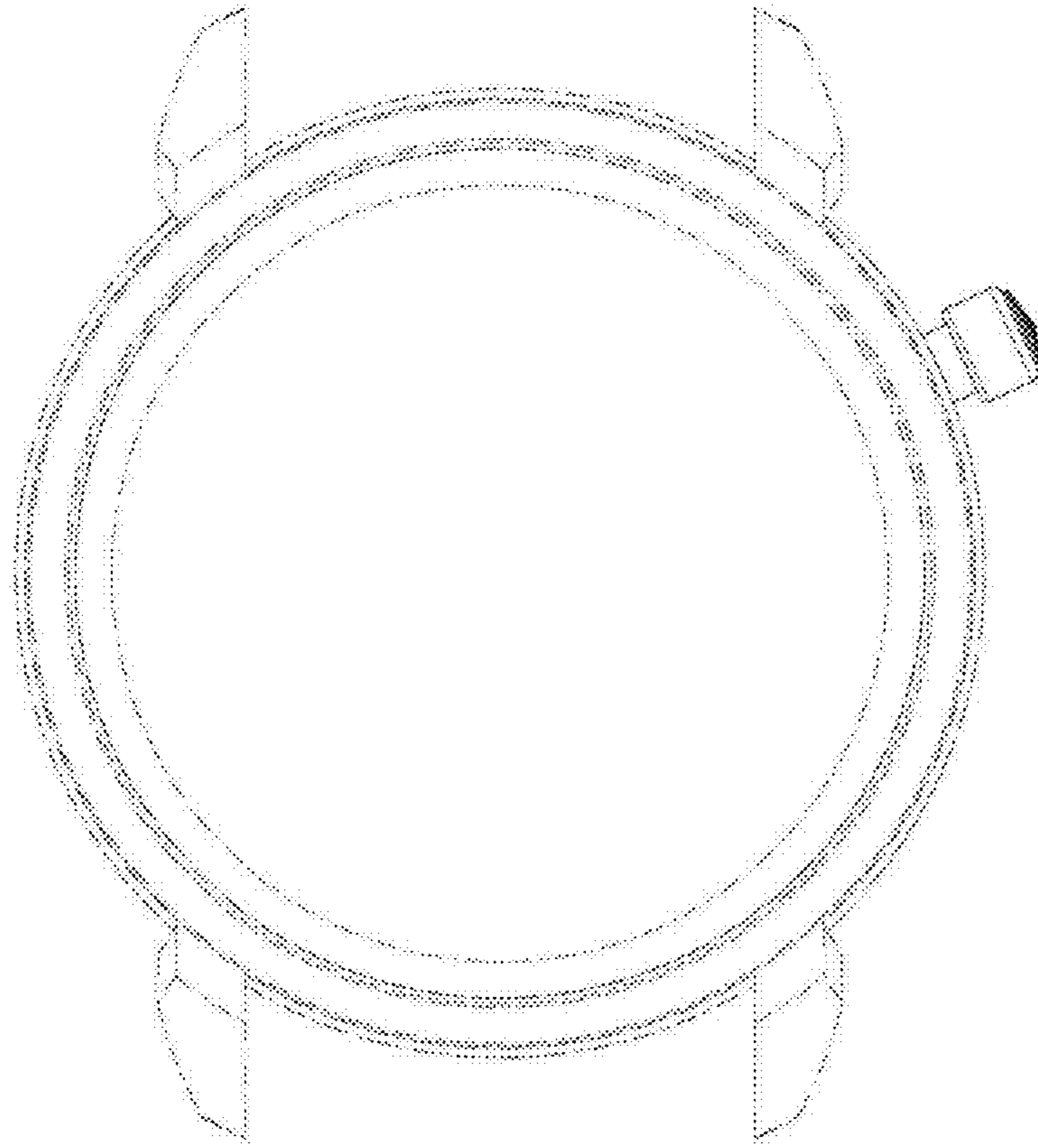


FIG. 1

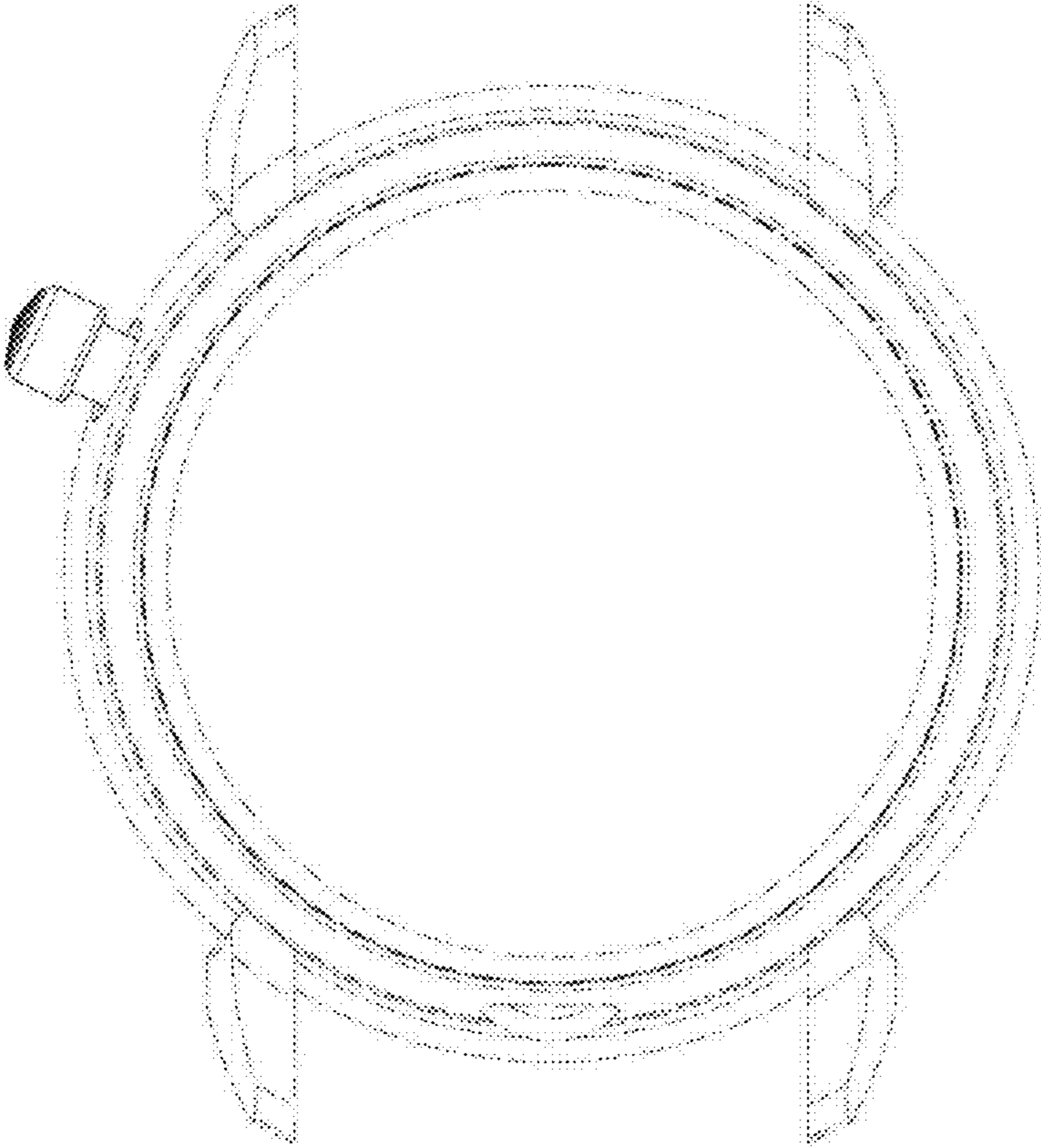


FIG. 2

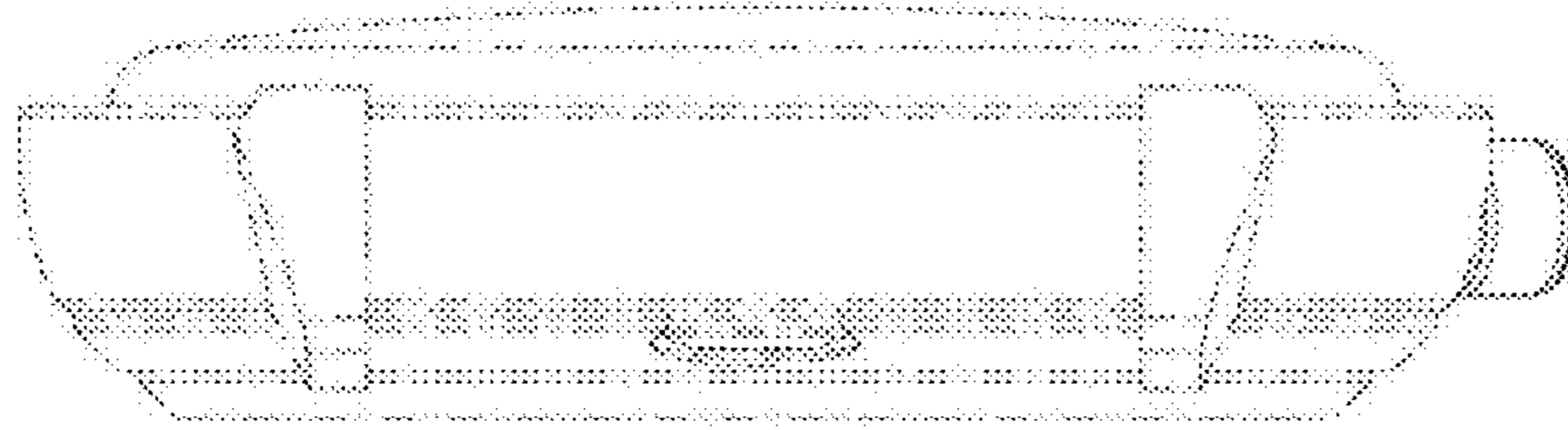


FIG. 3



FIG. 4

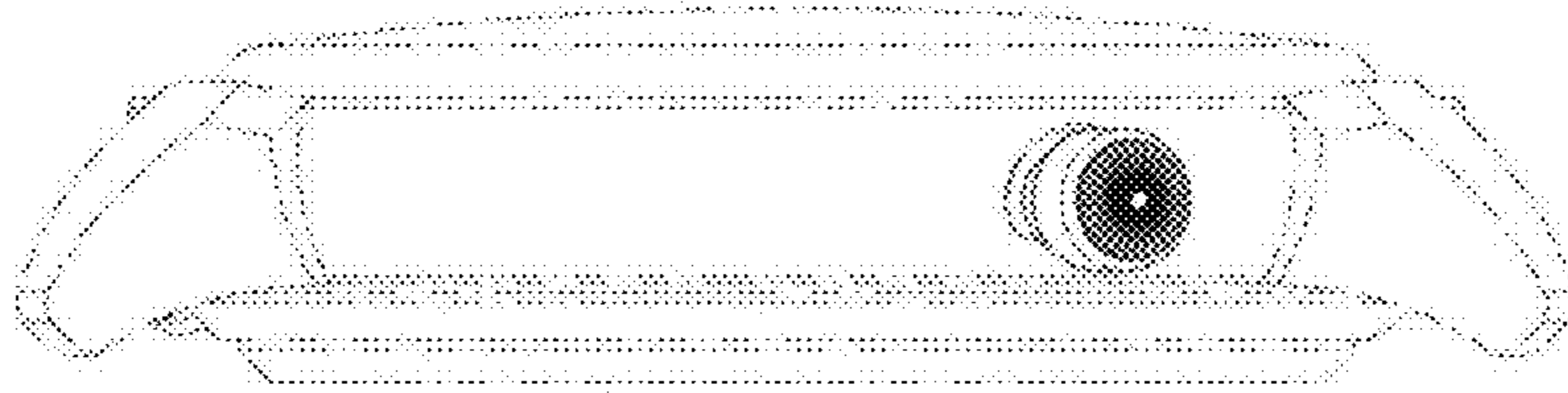


FIG. 5

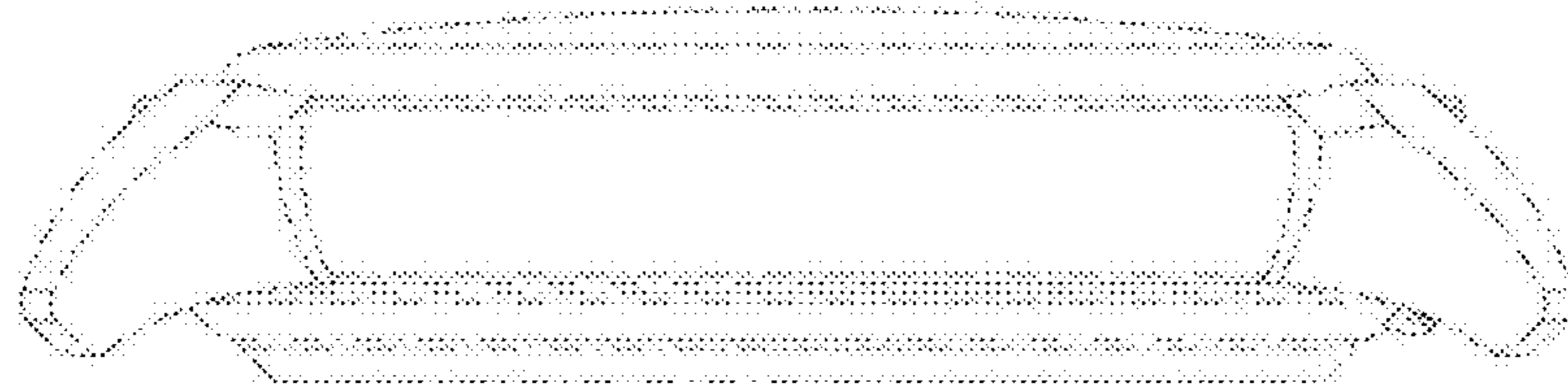


FIG. 6

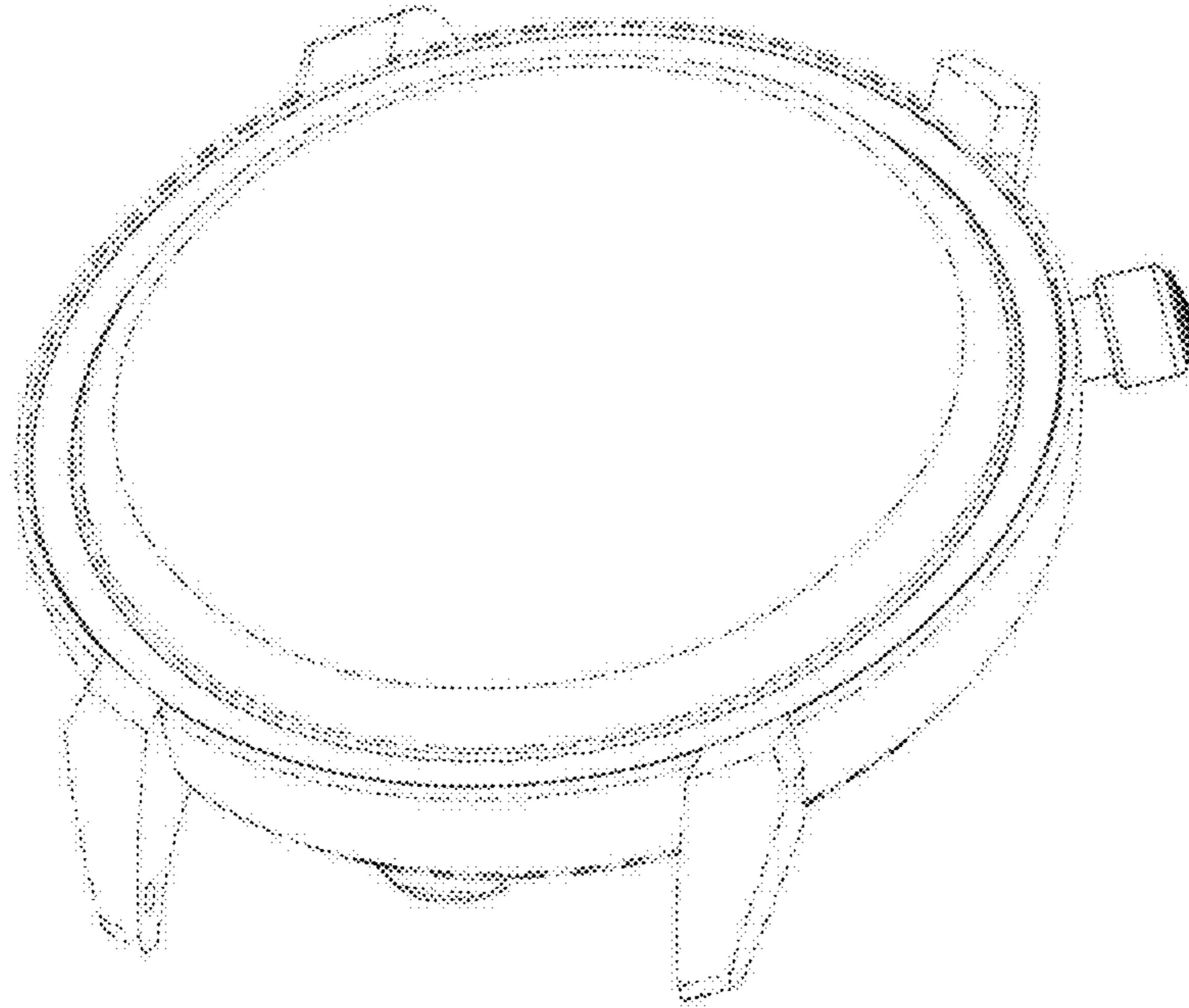


FIG. 7