



US00D913806S

(12) **United States Design Patent** (10) **Patent No.:** **US D913,806 S**
Hwang (45) **Date of Patent:** **** Mar. 23, 2021**

(54) **CONTAINER**

(71) Applicant: **Koieto Innovations LLC**, Garden Grove, CA (US)

(72) Inventor: **Steven Hwang**, Garden Grove, CA (US)

(73) Assignee: **Koieto Innovations, LLC**, Cypress, CA (US)

(**) Term: **15 Years**

(21) Appl. No.: **29/695,947**

(22) Filed: **Jun. 24, 2019**

(51) **LOC (13) Cl.** **09-05**

(52) **U.S. Cl.**
USPC **D9/711**

(58) **Field of Classification Search**
USPC D9/702-714, 695-699, 435, 440, D9/520-521, 454, 544, 723-724, 499, D9/449, 727-728, 442, 447, 504, 414, D9/417, 418, 420, 428, 516, 529, 549, D9/763-783, 424-425; 222/92, 96, 107, 222/527-529, 215, 491, 206, 212-213, 222/251, 95, 536; 206/438, 822, 36, 206/362.2, 22.1, 206, 389, 407, 769; 220/DIG. 7, 669; 215/321, 381, 382, 215/316, 380; 141/114-115; D28/91.1, D28/76-78, 82, 88; D24/114, 216-232; D7/601-602, 591, 529, 527, 549, D7/624.1-624.3, 629; D3/202, 205, D3/203.1, 203.25, 201, 203.2, 273, 294; 422/500, 547, 556
CPC B65D 35/00; B65D 35/28; B65D 35/02; B65D 35/04; B65D 35/08; B65D 35/36; B65D 1/00; B65D 1/32; B65D 59/04;

B65D 85/12; B65D 71/36; B65D 83/38; B65D 83/0805; B65D 83/04; B65D 83/20; B65D 83/10; B65D 2571/00444; B65D 2571/0045; B65D 2575/586; Y10S 206/833; B01L 3/50825; B01L 3/08; A61M 5/002; A46B 17/04

See application file for complete search history.

(56) **References Cited**

U.S. PATENT DOCUMENTS

D748,813 S * 2/2016 Ishiguro D24/224
D827,449 S * 9/2018 Roesler D9/711
D900,636 S * 11/2020 Hyun D9/711

* cited by examiner

Primary Examiner — Abraham Bahta

(74) *Attorney, Agent, or Firm* — Ryan Dean; Umberg Zipser, LLP

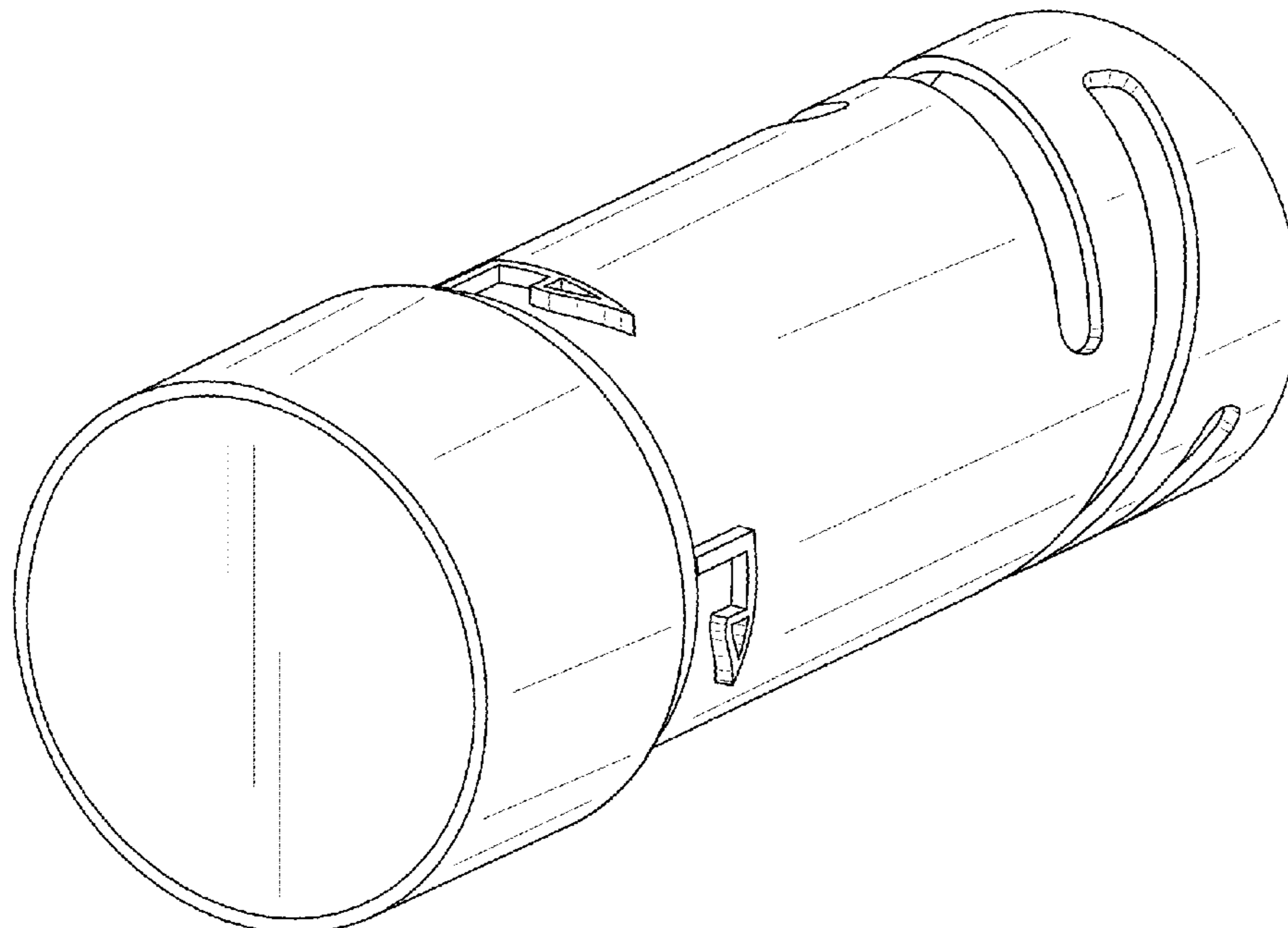
(57) **CLAIM**

I claim the ornamental design for a container, as shown and described.

DESCRIPTION

FIG. 1 is a perspective view of the container.
FIG. 2 is a top view of the container.
FIG. 3 is a bottom view of the container.
FIG. 4 is a front side view of the container.
FIG. 5 is a back side view of the container.
FIG. 6 is a left side view of the container; and,
FIG. 7 is a right side view of the container.

1 Claim, 6 Drawing Sheets



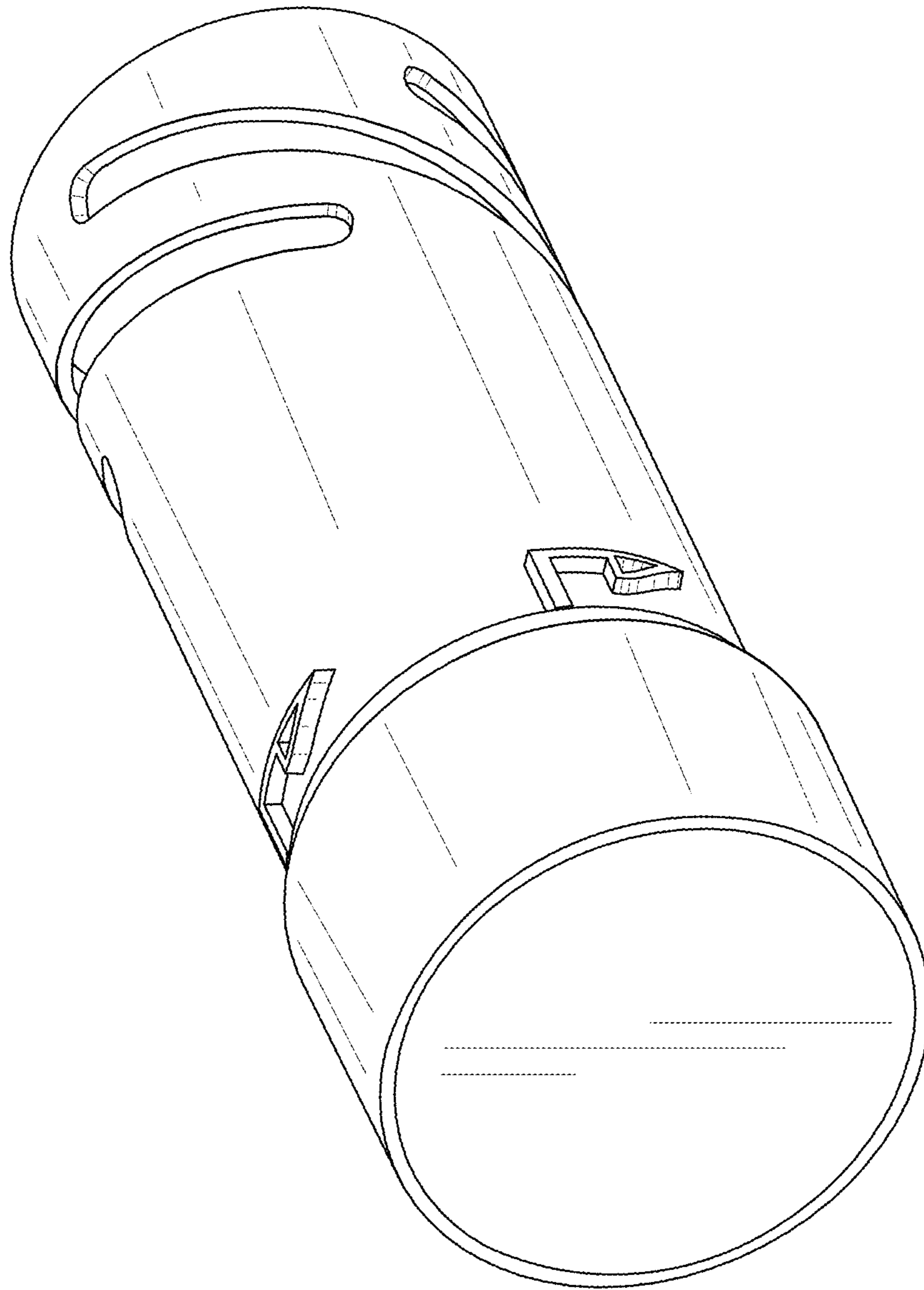


FIG. 1

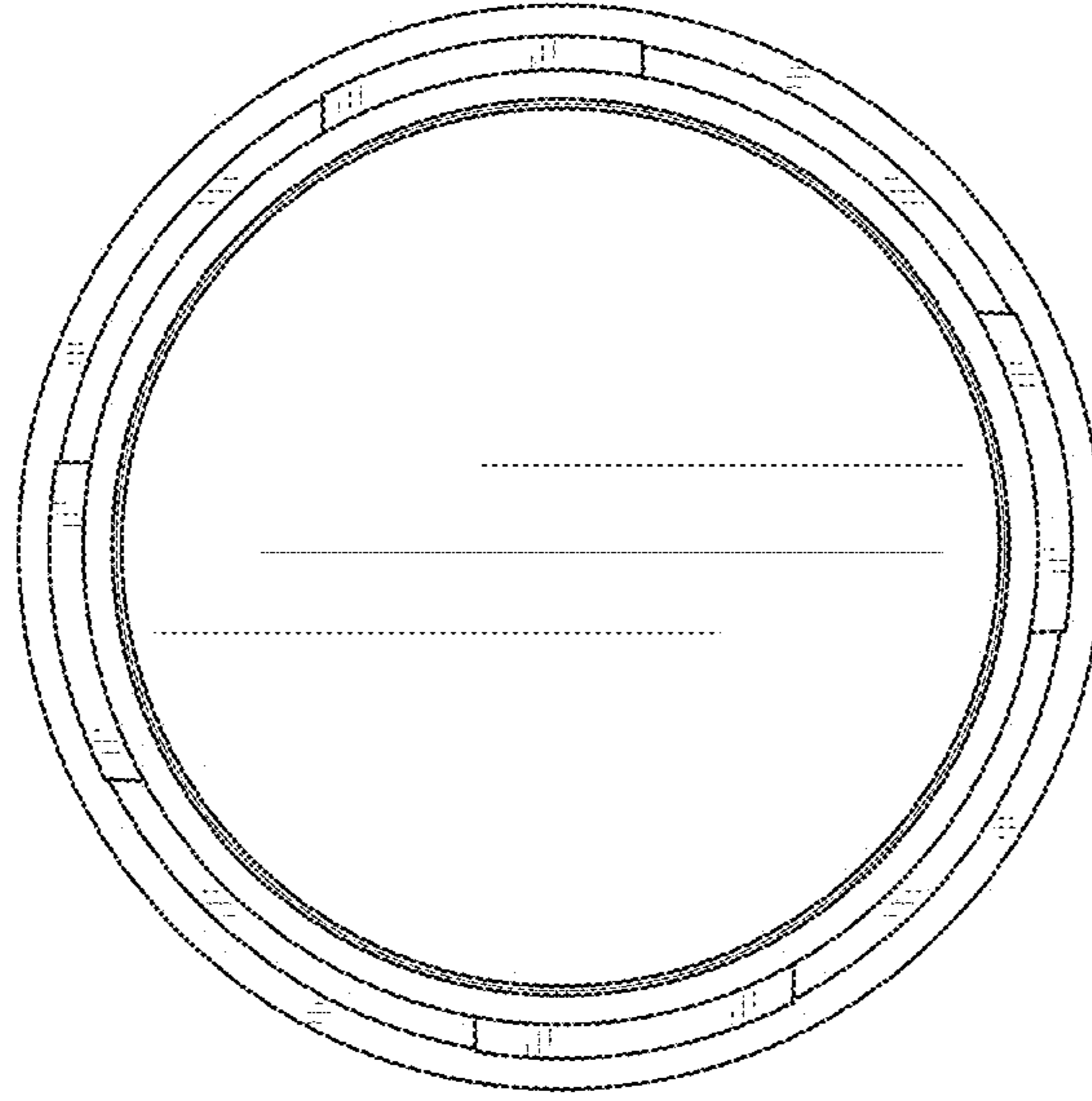


FIG. 3

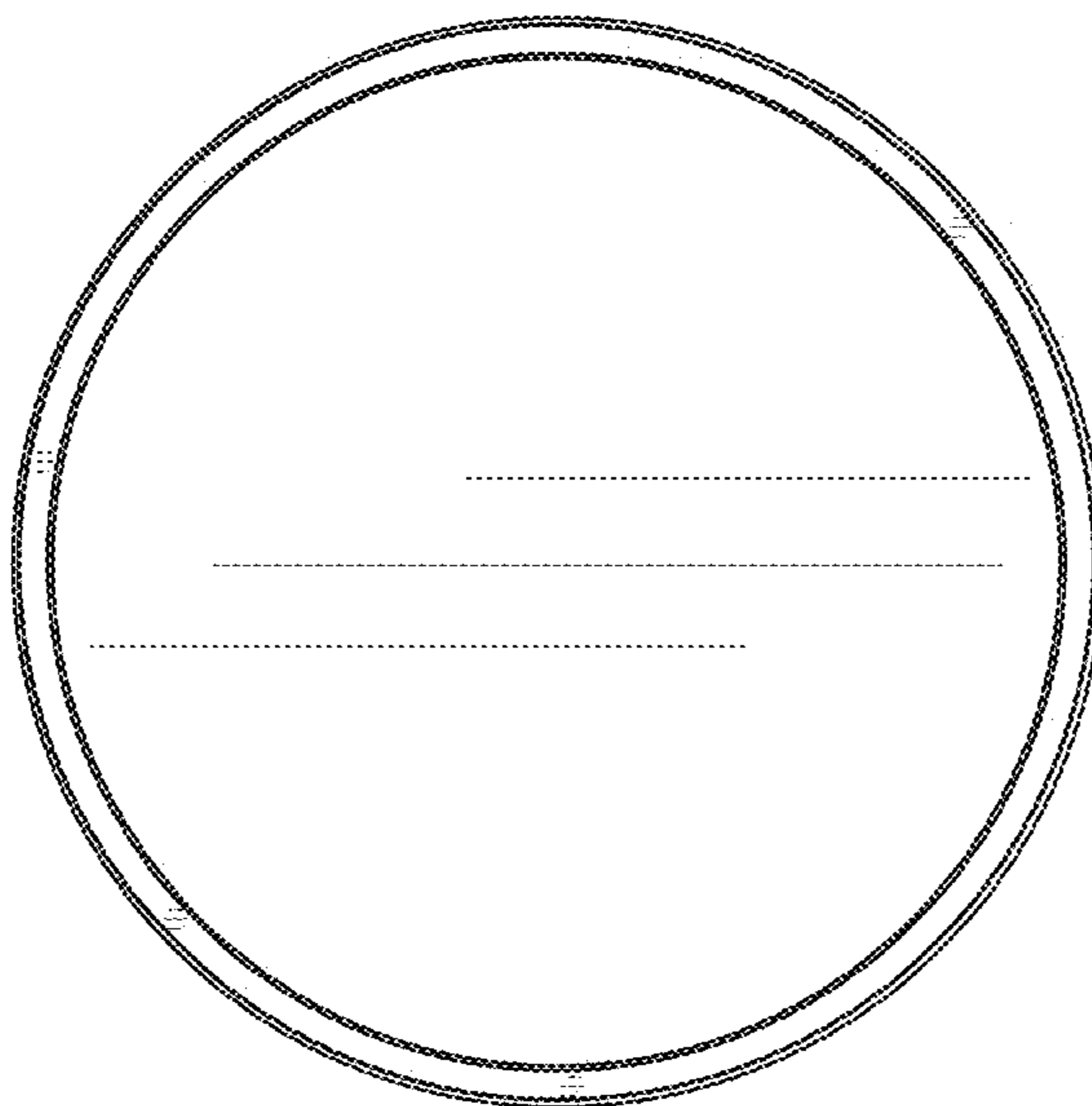


FIG. 2

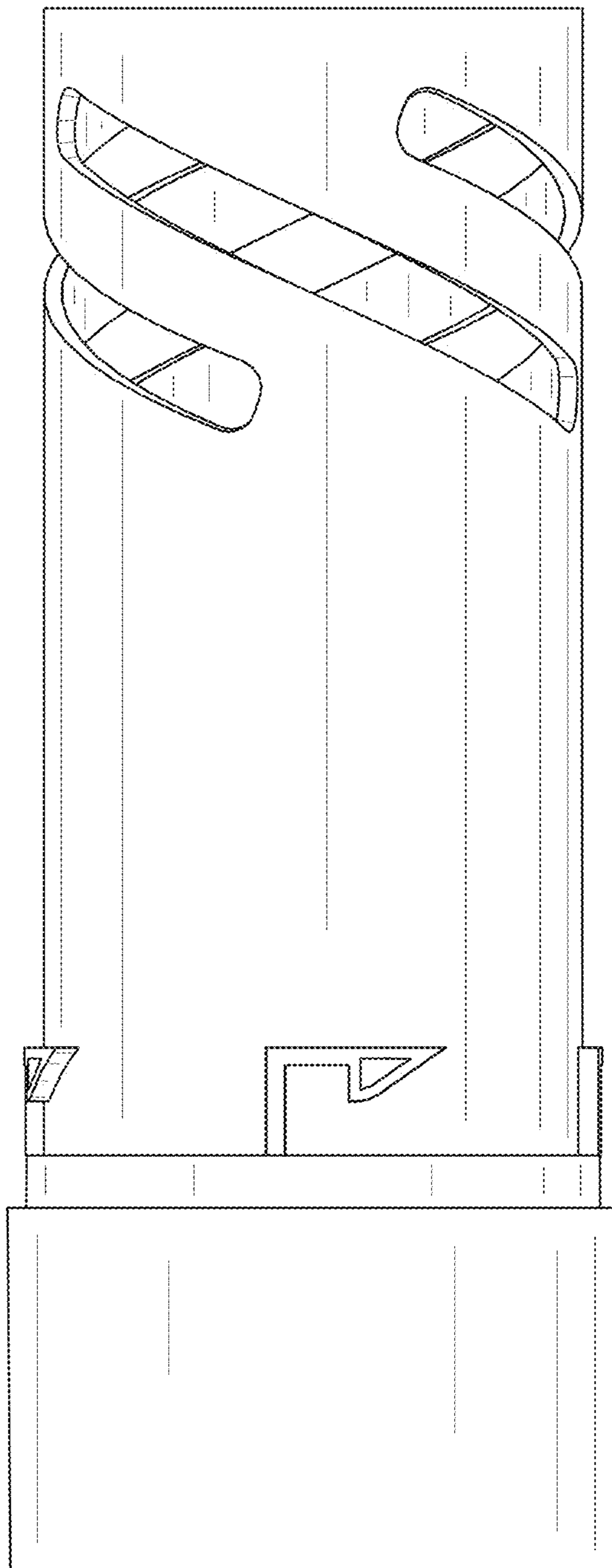


FIG. 4

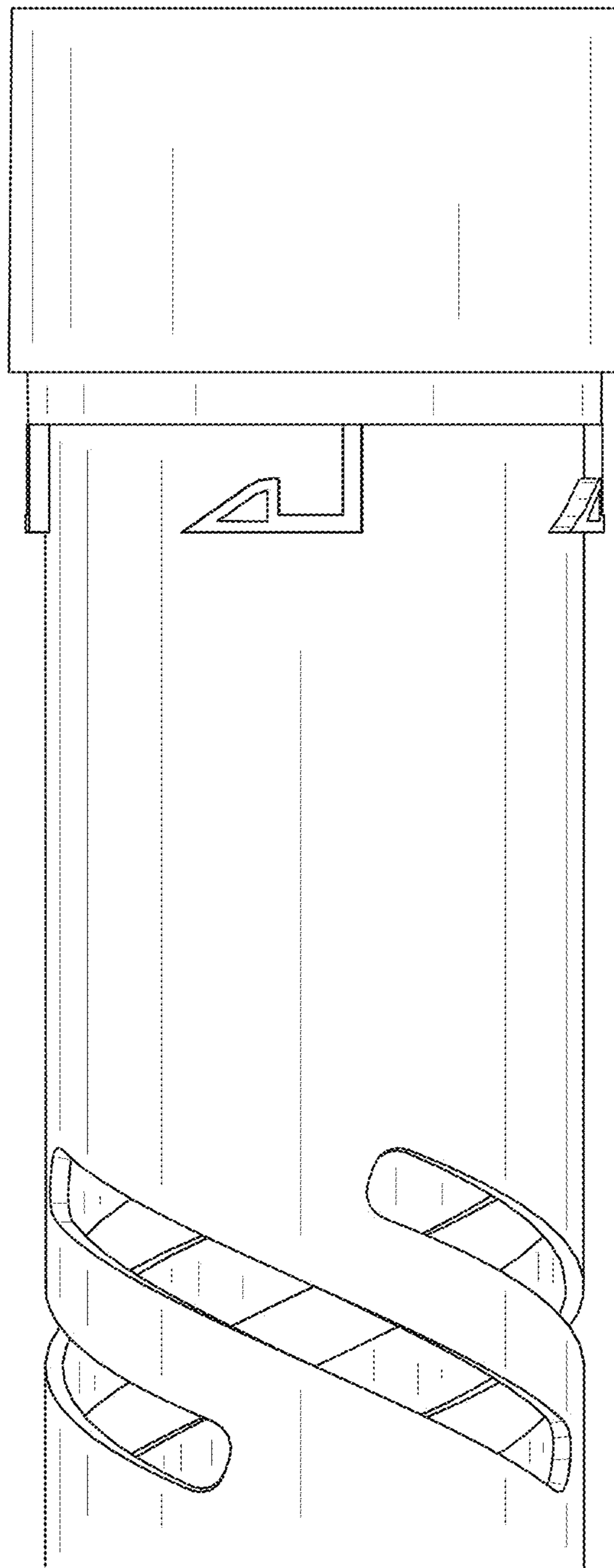


FIG. 5

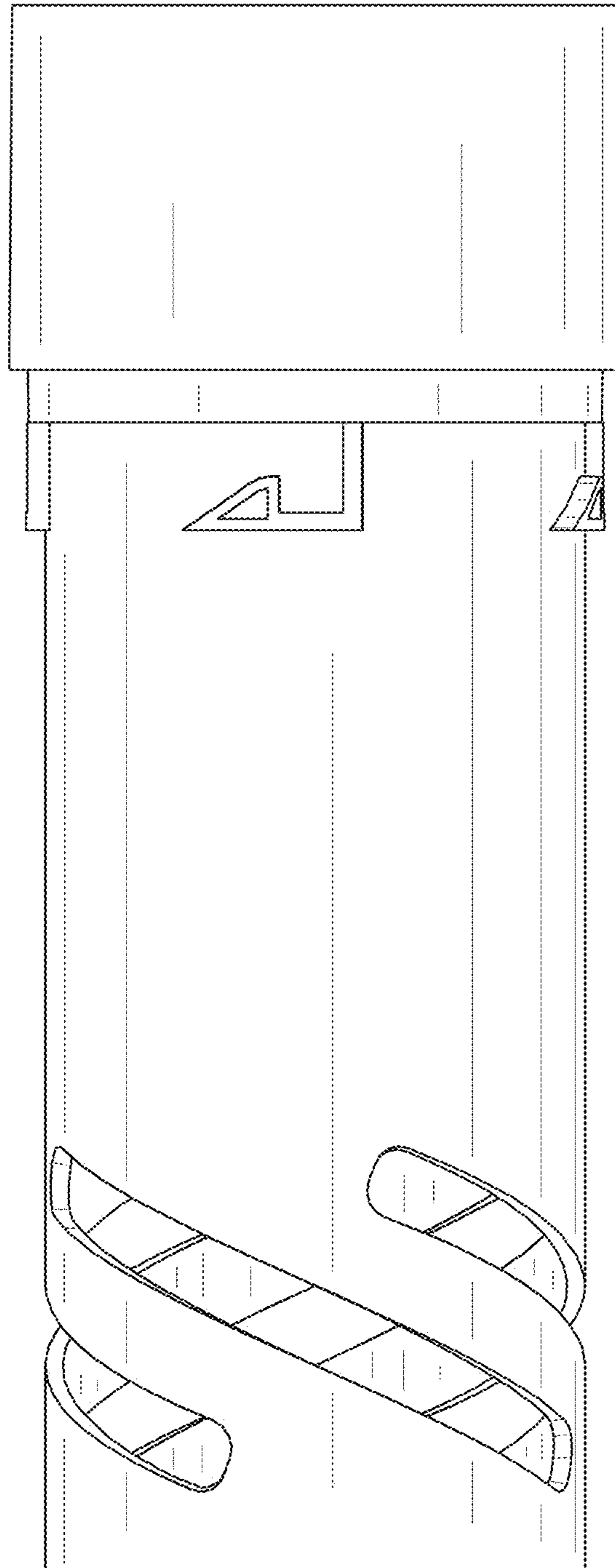


FIG. 6

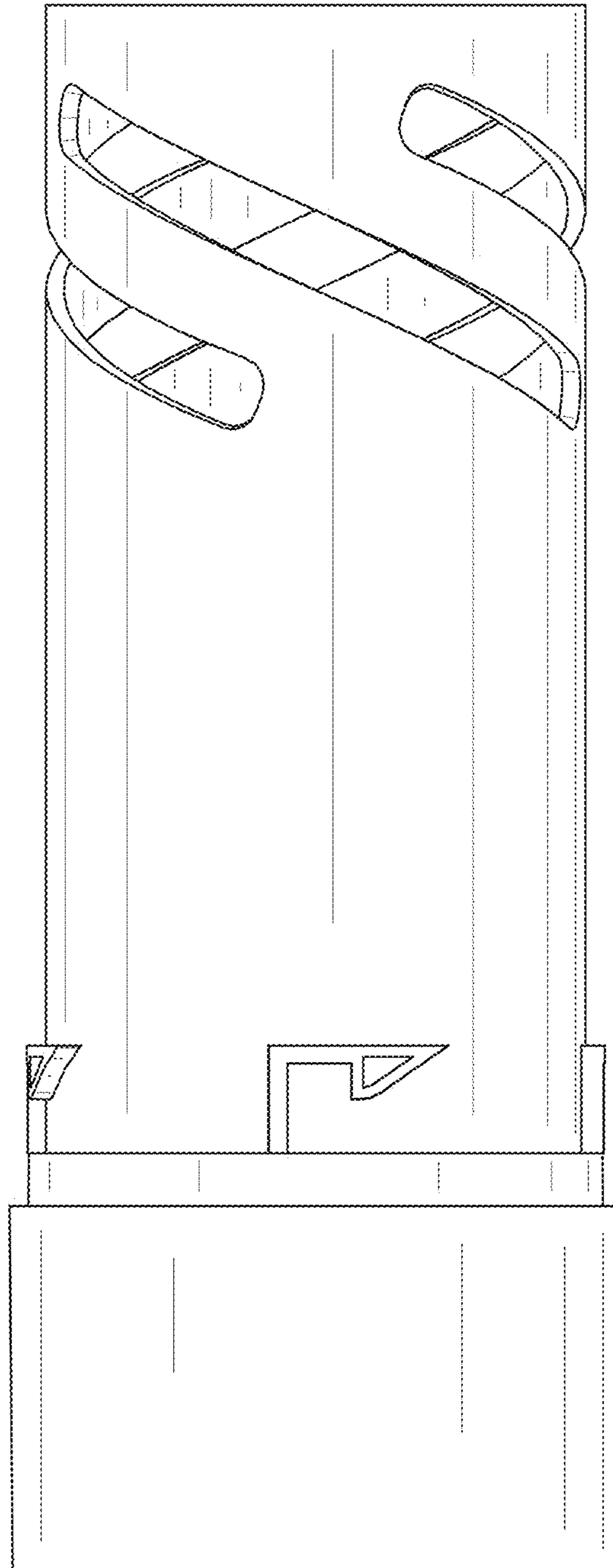


FIG. 7