



US00D913799S

(12) **United States Design Patent** (10) **Patent No.:** **US D913,799 S**  
**Bell** (45) **Date of Patent:** **\*\* Mar. 23, 2021**

(54) **BOTTLE**  
(71) Applicant: **BB&R LIMITED**, London (GB)  
(72) Inventor: **Ivan Bell**, London (GB)  
(73) Assignee: **BB&R LIMITED**, London (GB)  
(\*\*) Term: **15 Years**

D582,777 S \* 12/2008 Mansau ..... D9/575  
D650,582 S \* 12/2011 Jamtlid ..... D9/629  
D653,558 S \* 2/2012 Kania ..... D9/560  
D664,440 S \* 7/2012 Gonzalez Rodriguez ..... D9/560  
D682,704 S \* 5/2013 Reynolds ..... D9/544  
D714,652 S \* 10/2014 Shaw ..... D9/544  
D731,894 S \* 6/2015 Meyer ..... D9/561  
D740,680 S \* 10/2015 Christian ..... D9/561  
D753,960 S \* 4/2016 Hart ..... D9/652  
D802,428 S \* 11/2017 Staab ..... D9/544

(Continued)

(21) Appl. No.: **29/694,180**  
(22) Filed: **Jun. 7, 2019**

*Primary Examiner* — Sandra L Morris  
(74) *Attorney, Agent, or Firm* — Foley & Lardner LLP

(30) **Foreign Application Priority Data**

(57) **CLAIM**

The ornamental design for a bottle, as shown and described.

May 16, 2019 (EM) ..... 006471629

**DESCRIPTION**

(51) **LOC (13) Cl.** ..... **09-01**  
(52) **U.S. Cl.**  
USPC ..... **D9/600; D9/667; D9/561; D9/563;**  
D9/570

FIG. 1 is a front perspective view of a bottle;  
FIG. 2 is a front view of the bottle;  
FIG. 3 is a rear view of the bottle;  
FIG. 4 is a left side view of the bottle;  
FIG. 5 is a left side view of the bottle;  
FIG. 6 is a top plan view of the bottle;  
FIG. 7 is a bottom plan view of the bottle;  
FIG. 8 is a front perspective view of another embodiment of a bottle;  
FIG. 9 is a front view of the bottle illustrated in FIG. 8;  
FIG. 10 is a rear view of the bottle illustrated in FIG. 8;  
FIG. 11 is a right side view of the bottle illustrated in FIG. 8;  
FIG. 12 is a left side view of the bottle illustrated in FIG. 8;  
FIG. 13 is a top plan view of the bottle illustrated in FIG. 8;  
and,  
FIG. 14 is a bottom plan view of the bottle illustrated in FIG. 8.

(58) **Field of Classification Search**  
USPC ..... D9/600, 652, 667, 500–505, 516,  
D9/537–546, 559–561, 563, 570,  
D9/572–575, 434; 206/457, 494, 459.5,  
206/527, 540; 229/116.1; 215/381–384,  
215/400; D7/514–516, 539, 544, 571,  
D7/579, 604, 613, 619.2, 628–630,  
D7/391–392.1  
CPC ..... B65D 67/00; B65D 81/36; B65D 81/60;  
B65D 81/368; B65D 2203/00; B65D  
2203/02; A63H 33/16  
See application file for complete search history.

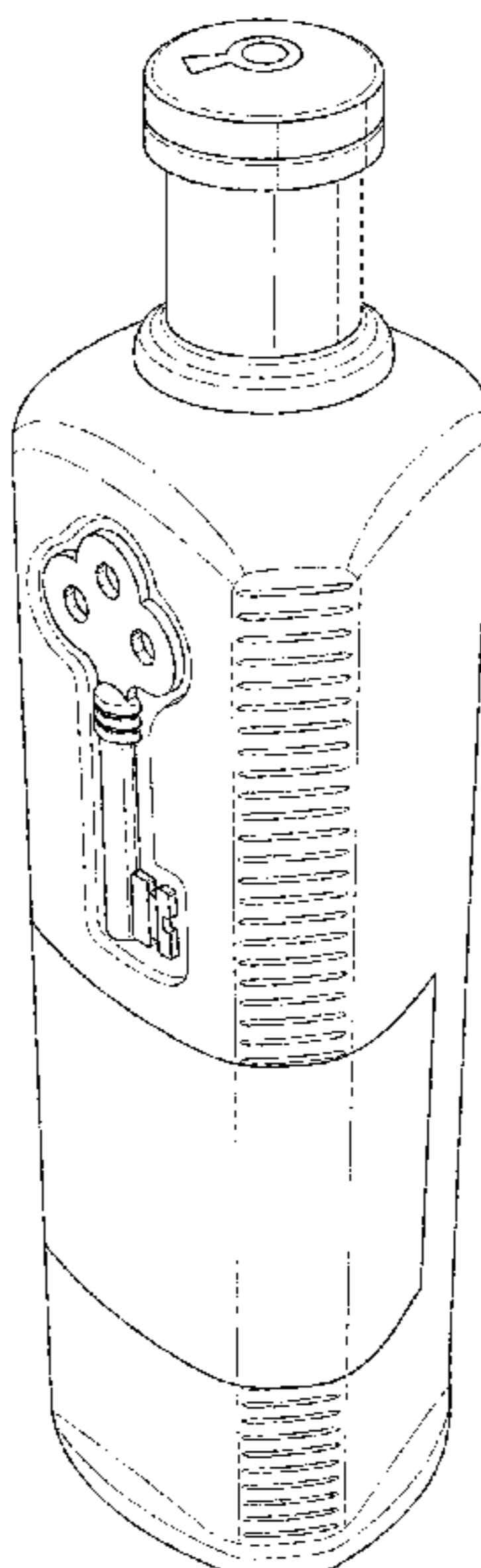
The broken lines are included for the purpose of illustrating a portion of the bottle that forms no part of the claimed design.

(56) **References Cited**

**1 Claim, 12 Drawing Sheets**

**U.S. PATENT DOCUMENTS**

D155,595 S \* 10/1949 Funkey ..... D9/570  
D180,837 S \* 8/1957 Markus ..... D9/652  
D343,580 S \* 1/1994 Reynaud ..... D9/546  
D506,391 S \* 6/2005 Busch ..... D9/544



(56)

**References Cited**

U.S. PATENT DOCUMENTS

D813,041 S \* 3/2018 Staab ..... D9/544  
D845,783 S \* 4/2019 Nguyen ..... D9/544

\* cited by examiner

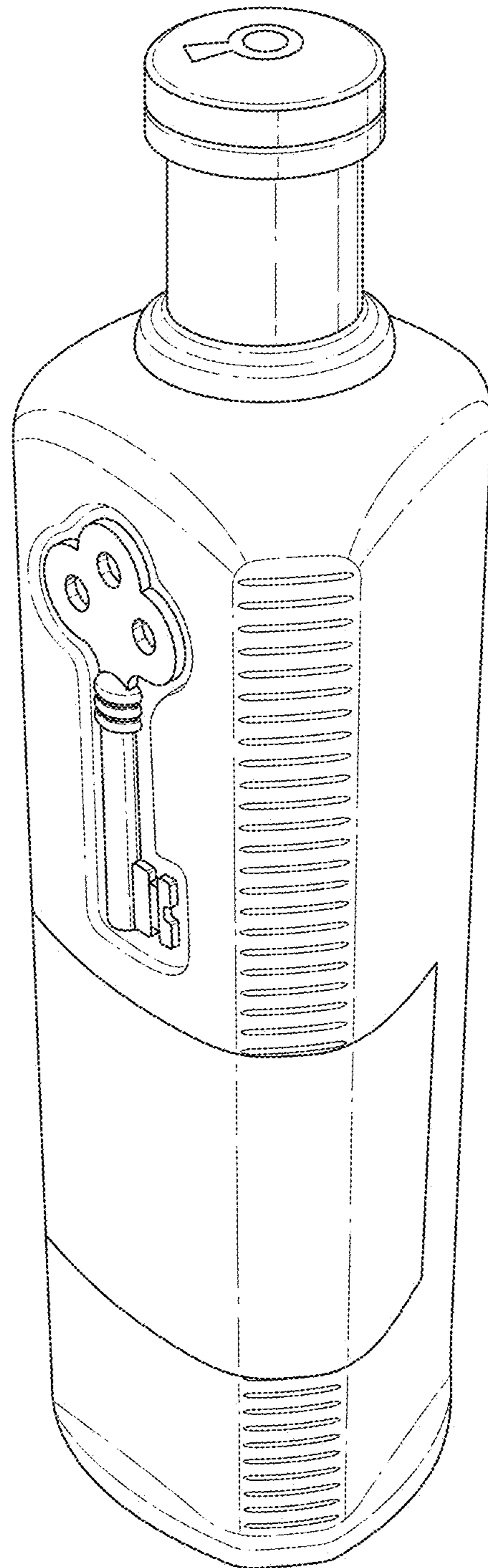


FIGURE 1

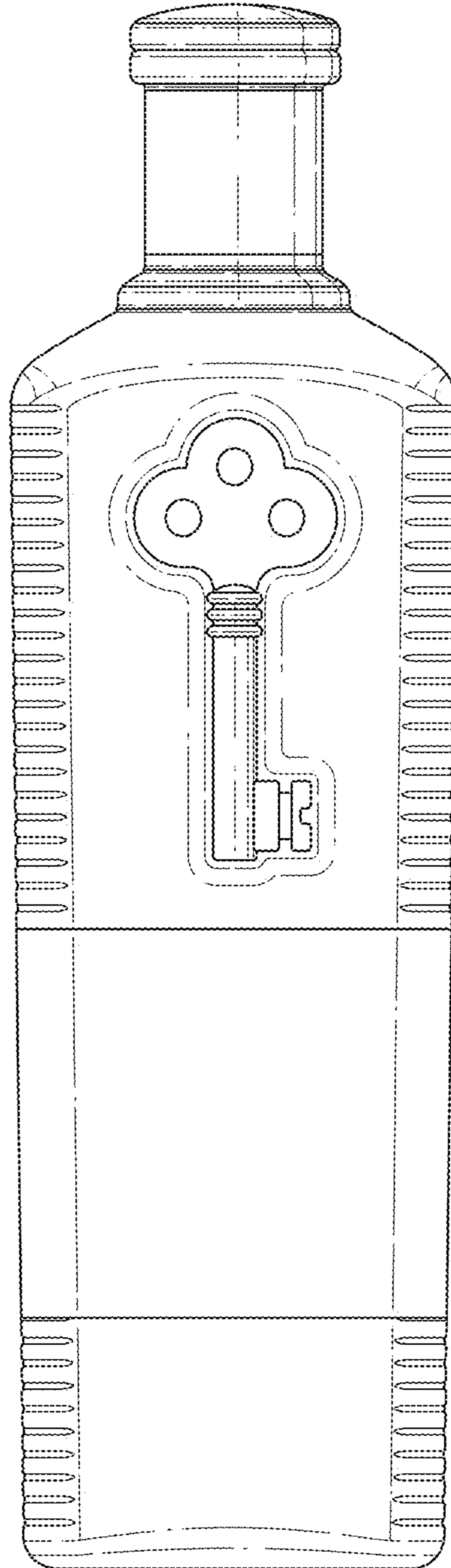


FIGURE 2

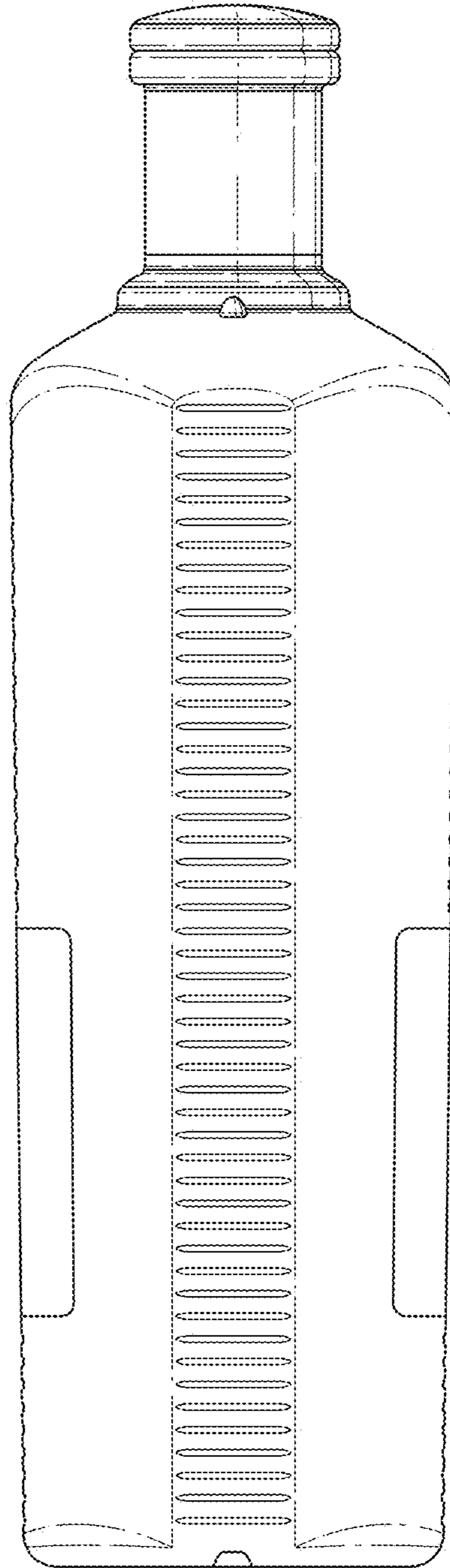


FIGURE 3

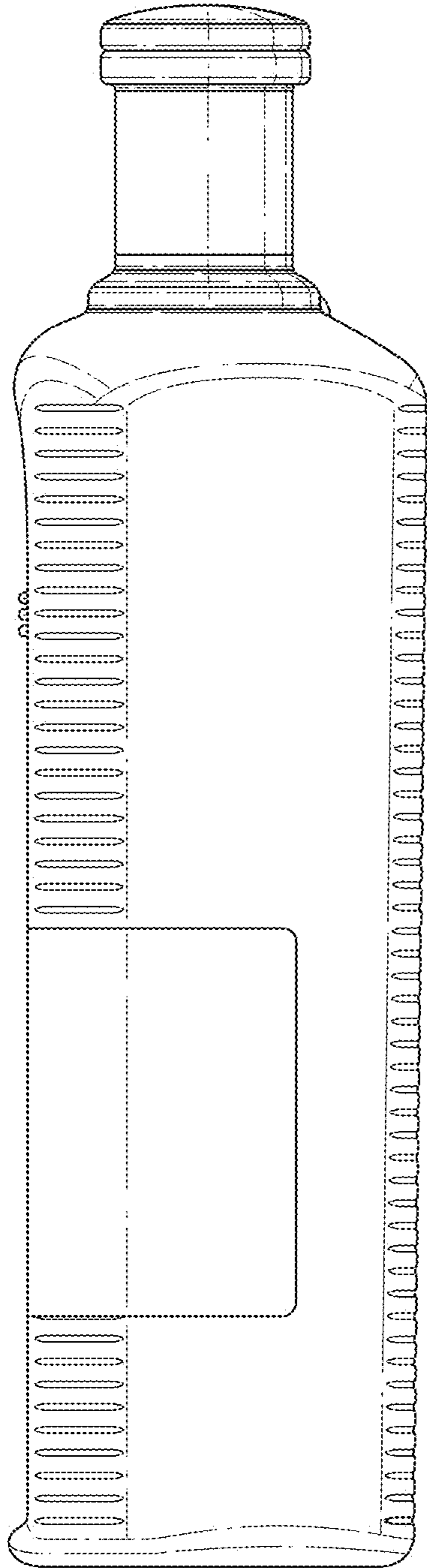


FIGURE 4

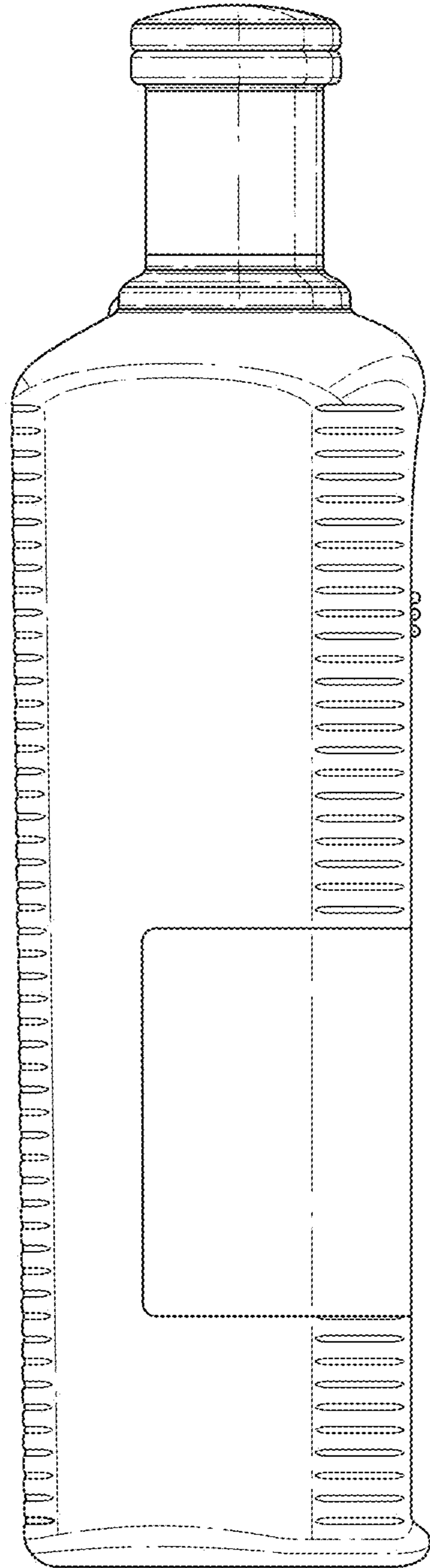


FIGURE 5

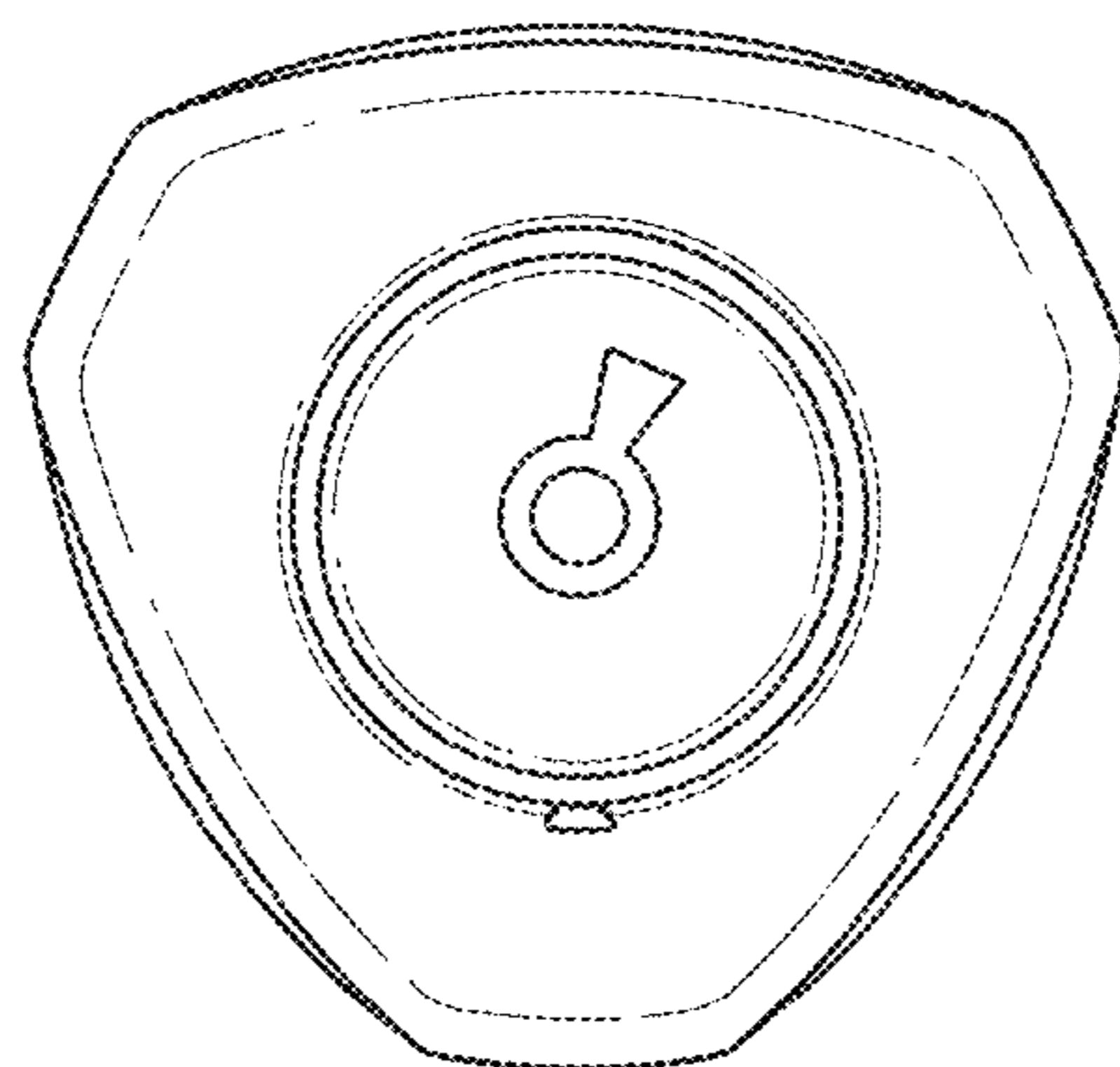


FIGURE 6

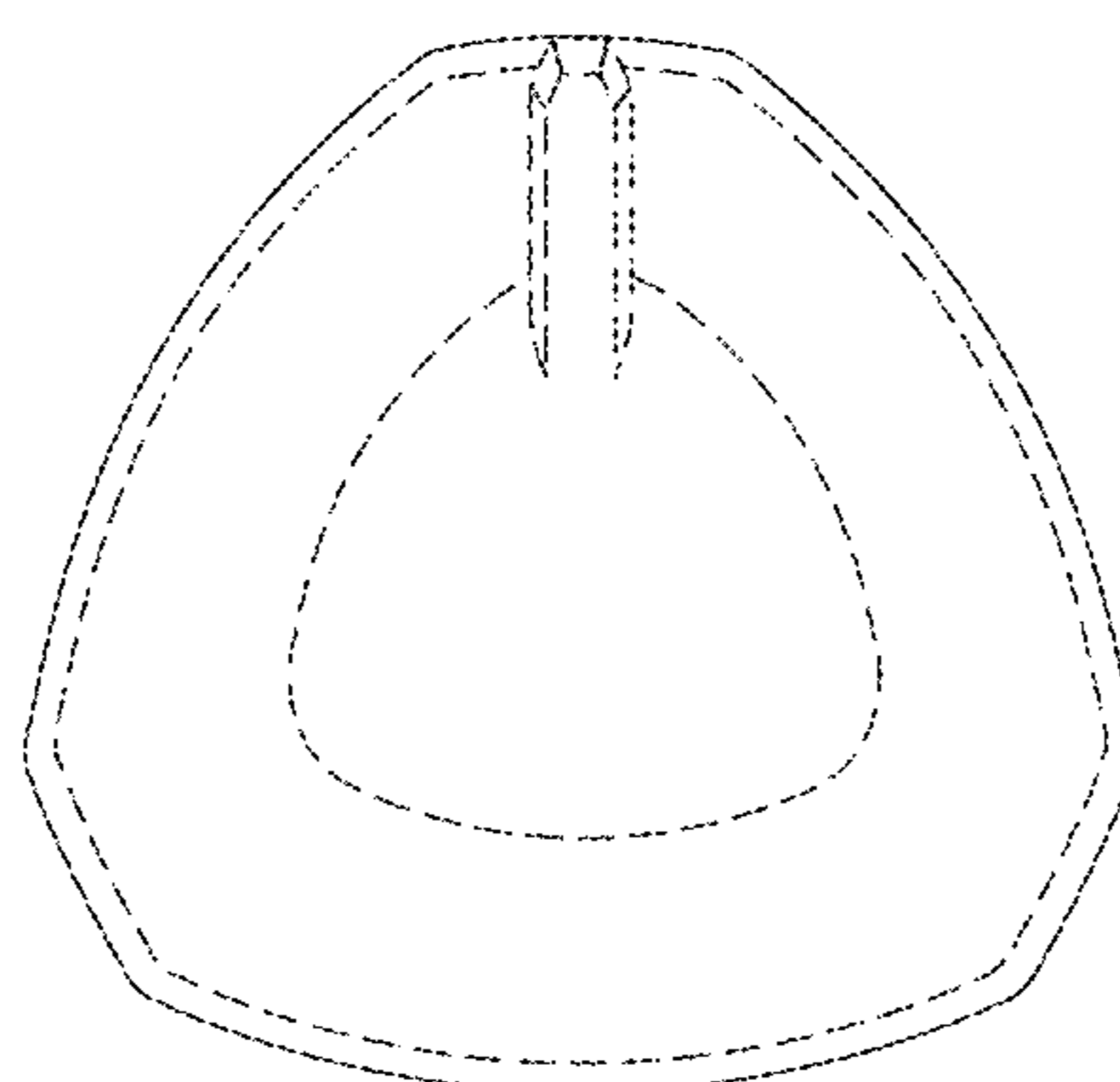


FIGURE 7



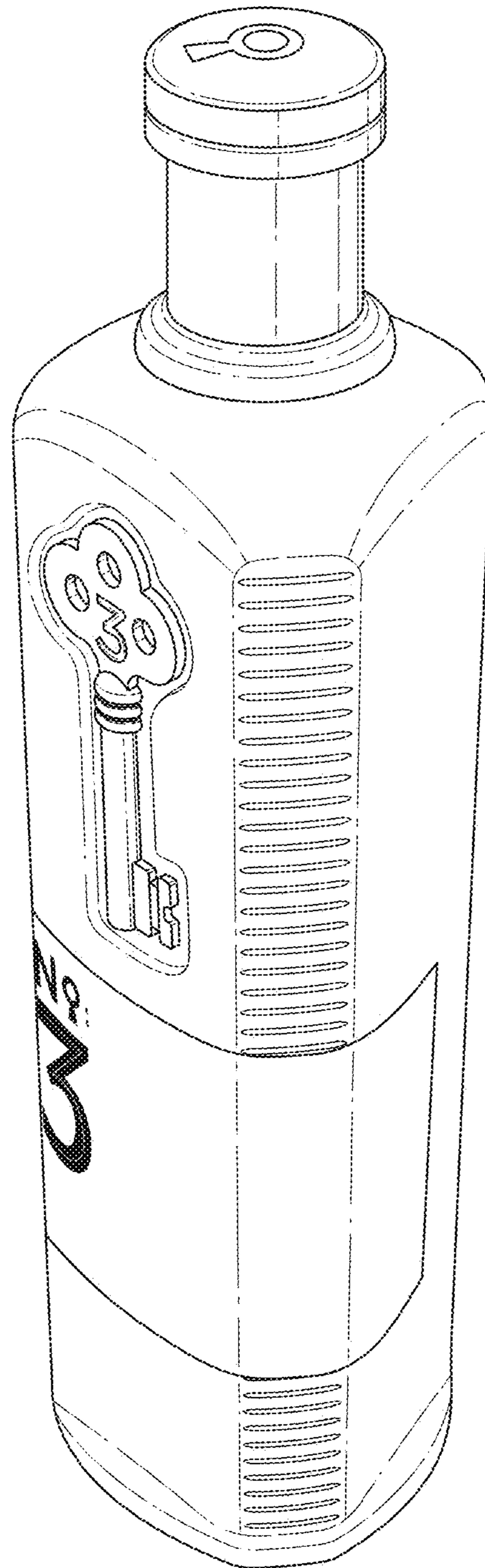


FIGURE 8

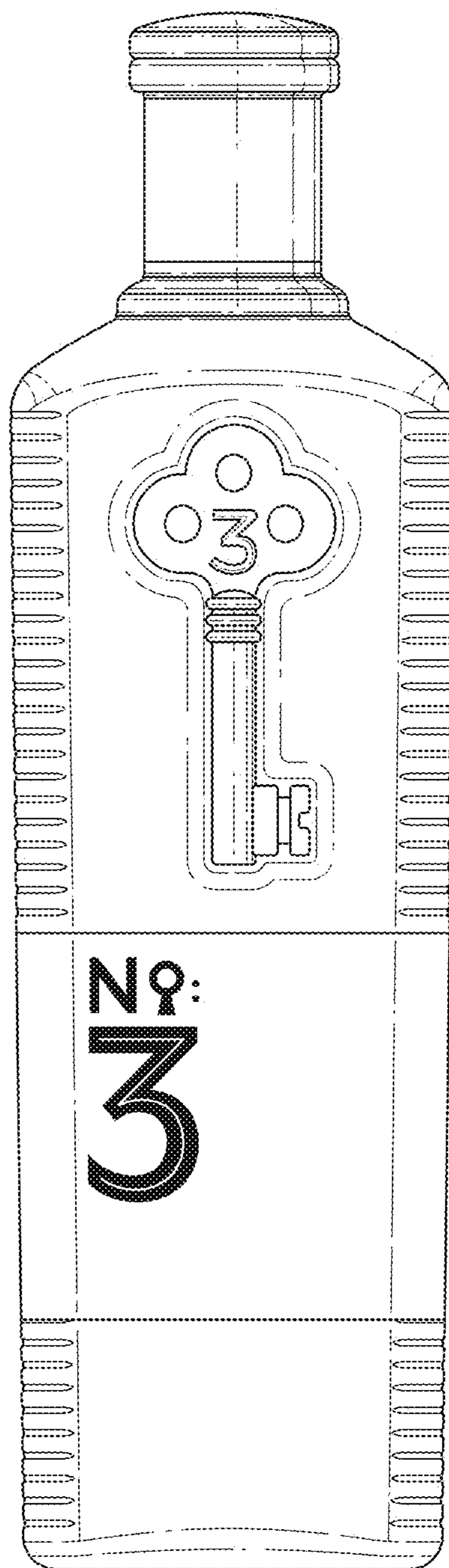


FIGURE 9

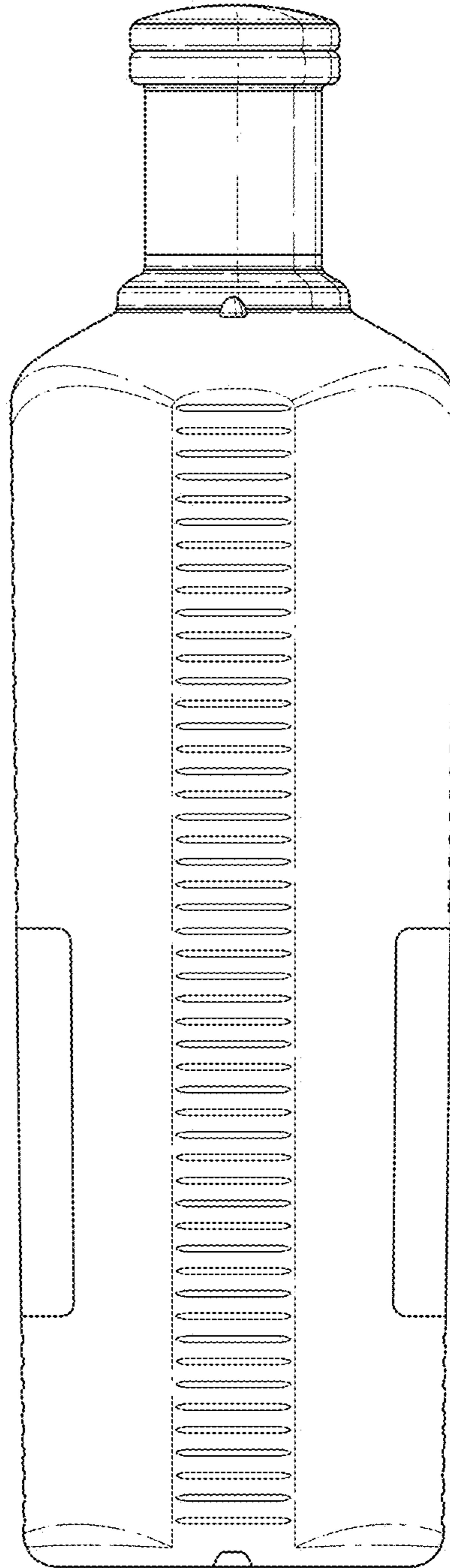


FIGURE 10

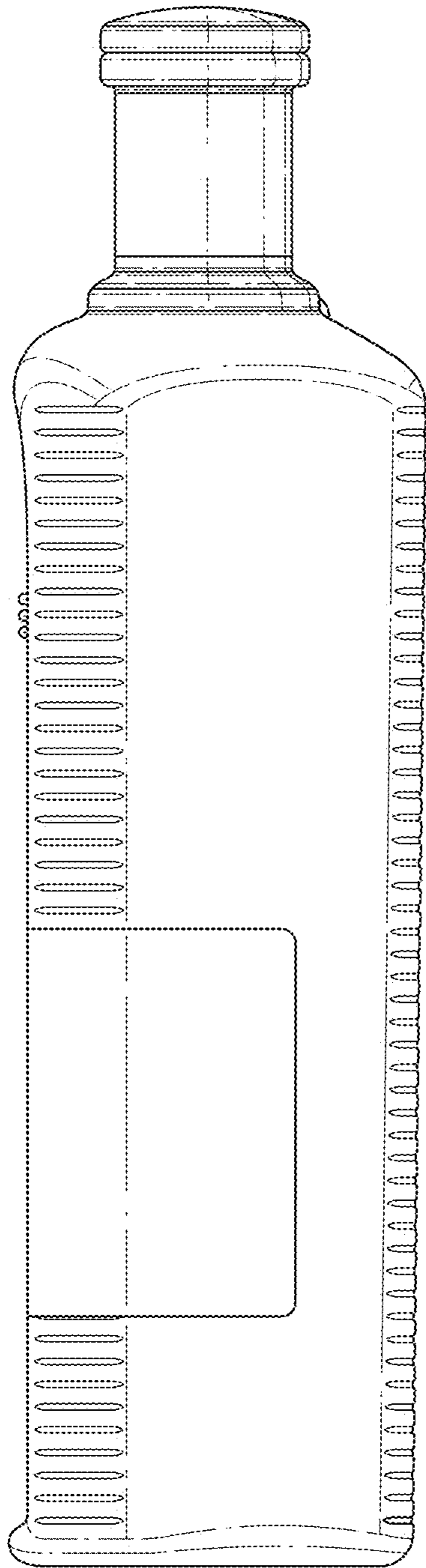


FIGURE 11

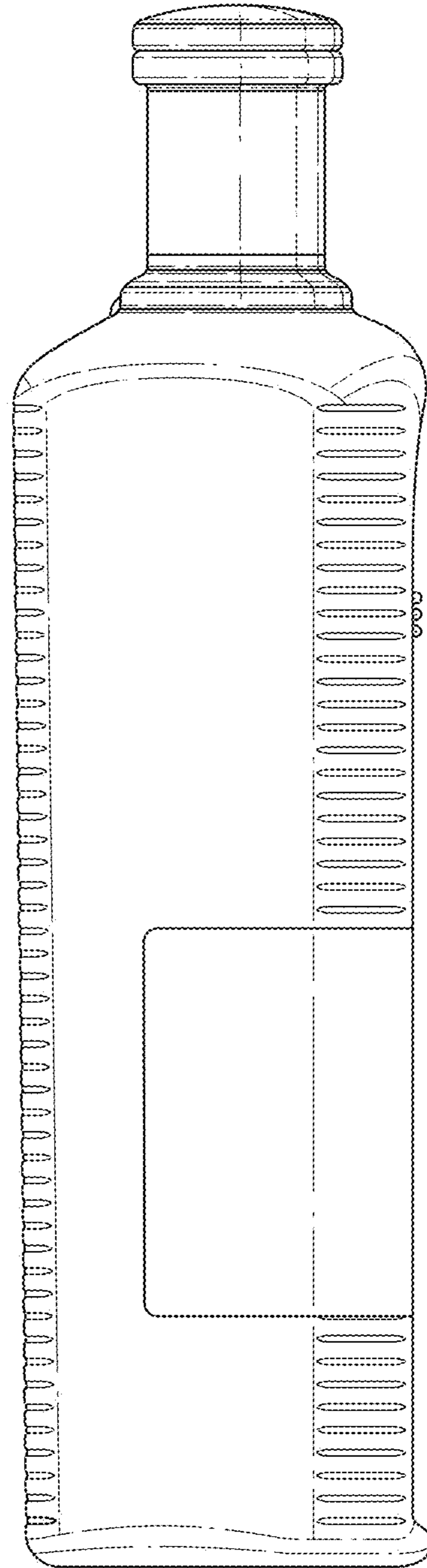


FIGURE 12

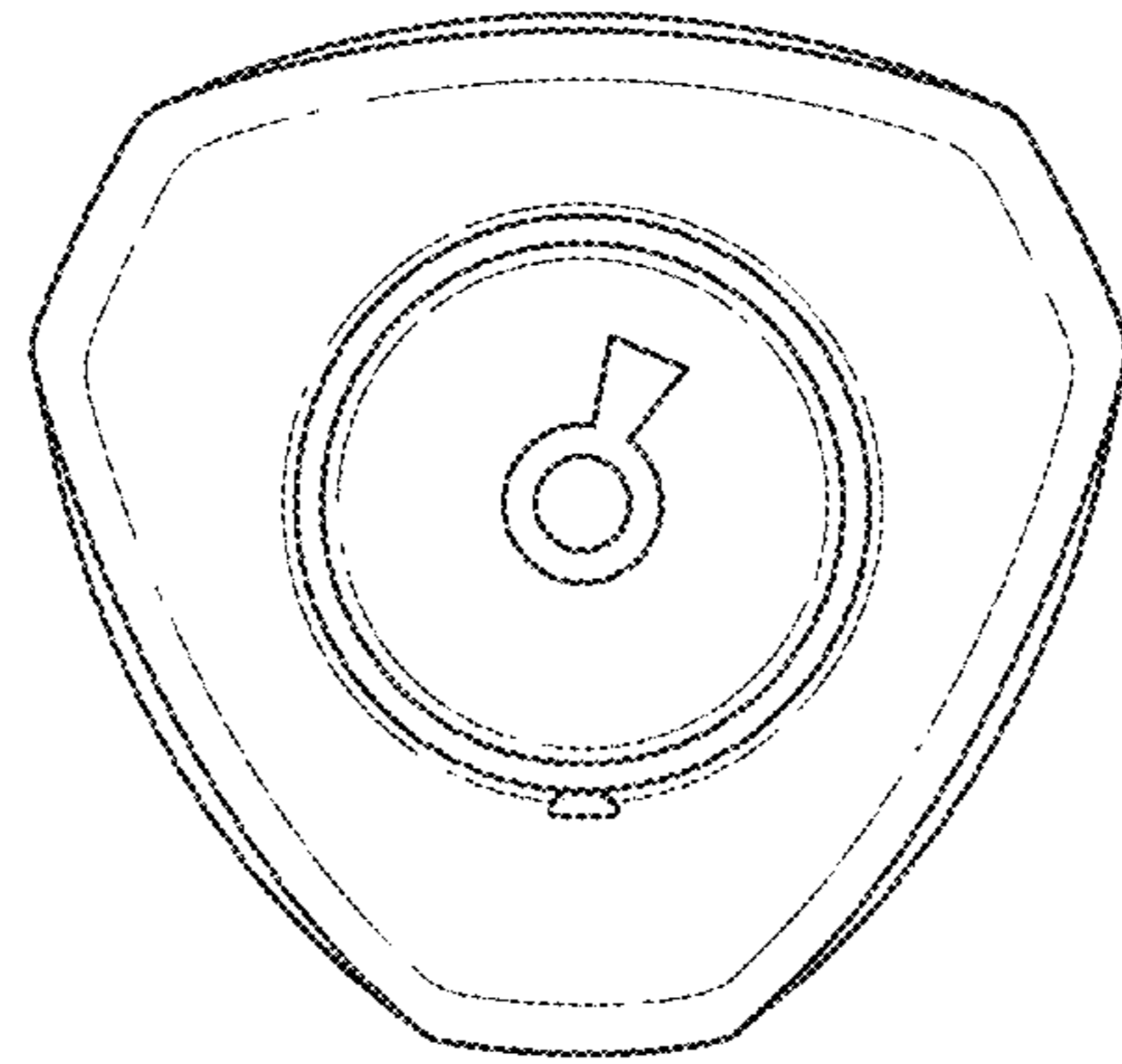


FIGURE 13

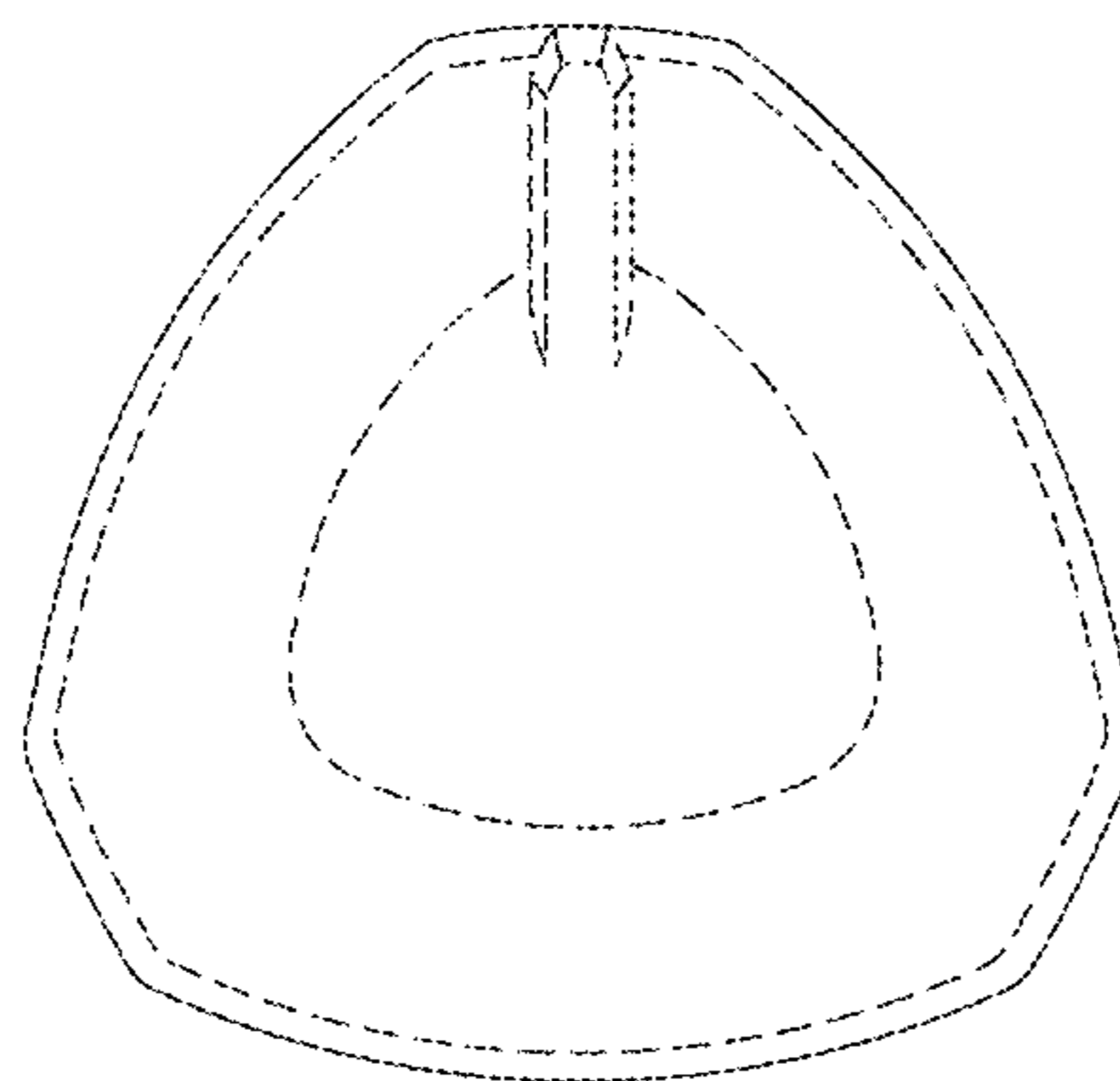


FIGURE 14