



US00D913798S

(12) **United States Design Patent** (10) **Patent No.:** **US D913,798 S**
Dalton (45) **Date of Patent:** **** Mar. 23, 2021**

(54) **PERFUME BOTTLES**

(71) Applicant: **Yves Saint Laurent Parfums**, Paris (FR)

(72) Inventor: **Suzanne Dalton**, Paris (FR)

(**) Term: **15 Years**

(21) Appl. No.: **35/507,472**

(22) Filed: **Mar. 25, 2019**

(80) **Hague Agreement Data**

Int. Filing Date: **Mar. 25, 2019**

Int. Reg. No.: **DM/202986**

Int. Reg. Date: **Mar. 25, 2019**

Int. Reg. Pub. Date: **Oct. 4, 2019**

(51) **LOC (13) Cl.** **09-01**

(52) **U.S. Cl.**

USPC **D9/566; D9/693**

(58) **Field of Classification Search**

USPC D9/525, 544, 550, 560, 562, 563,
D9/566-568, 574, 682, 685, 692, 693,
D9/434, 499, 516, 530; D7/392.1, 396.2

CPC B65D 1/02; B65D 1/023; B65D 1/0276

See application file for complete search history.

(56) **References Cited**

U.S. PATENT DOCUMENTS

D784,155 S	*	4/2017	De Baschmakoff	D9/652
D826,724 S	*	8/2018	Staab	D9/574
D852,052 S	*	6/2019	Dalton	D9/563
D857,516 S	*	8/2019	Lutens	D9/682
D864,740 S	*	10/2019	Franco	D9/649

OTHER PUBLICATIONS

Woah Style. YSL's Newest Perfume Gives You The Freedom To Express Yourself. Aug. 2, 2019. <http://www.woahstyle.com/blog/ysl-beauty-libre-perfume-fragrance-review> (Year: 2019).*

* cited by examiner

Primary Examiner — Darcey E Gottschalk

(74) *Attorney, Agent, or Firm* — Gottlieb, Rackman & Reisman, P.C.

(57) **CLAIM**

The ornamental design for perfume bottles, as shown and described.

DESCRIPTION

1.-2. Perfume bottles.

The patent or application file contains at least one drawing executed in color. Copies of this patent or patent application publication with color drawing(s) will be provided by the Office upon request and payment of the necessary fee.

FIG. 1.1 Perspective;

FIG. 1.2 Front;

FIG. 1.3 Back;

FIG. 1.4 Right;

FIG. 1.5 Left;

FIG. 1.6 Top;

FIG. 1.7 Bottom;

FIG. 1.8 Front with cap removed;

FIG. 1.9 Perspective with cap removed;

FIG. 2.1 Perspective;

FIG. 2.2 Front;

FIG. 2.3 Back;

FIG. 2.4 Right;

FIG. 2.5 Left;

FIG. 2.6 Top;

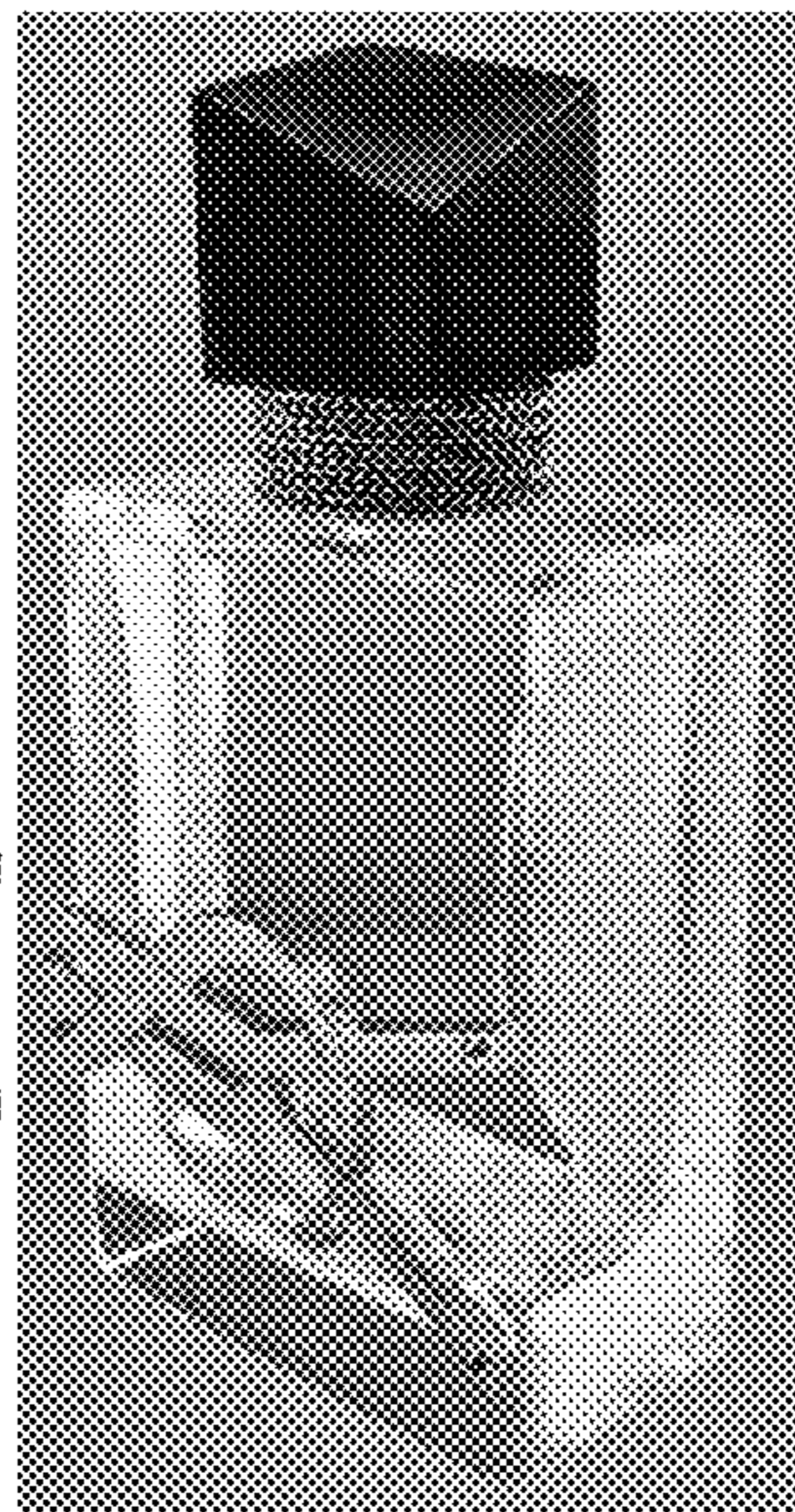
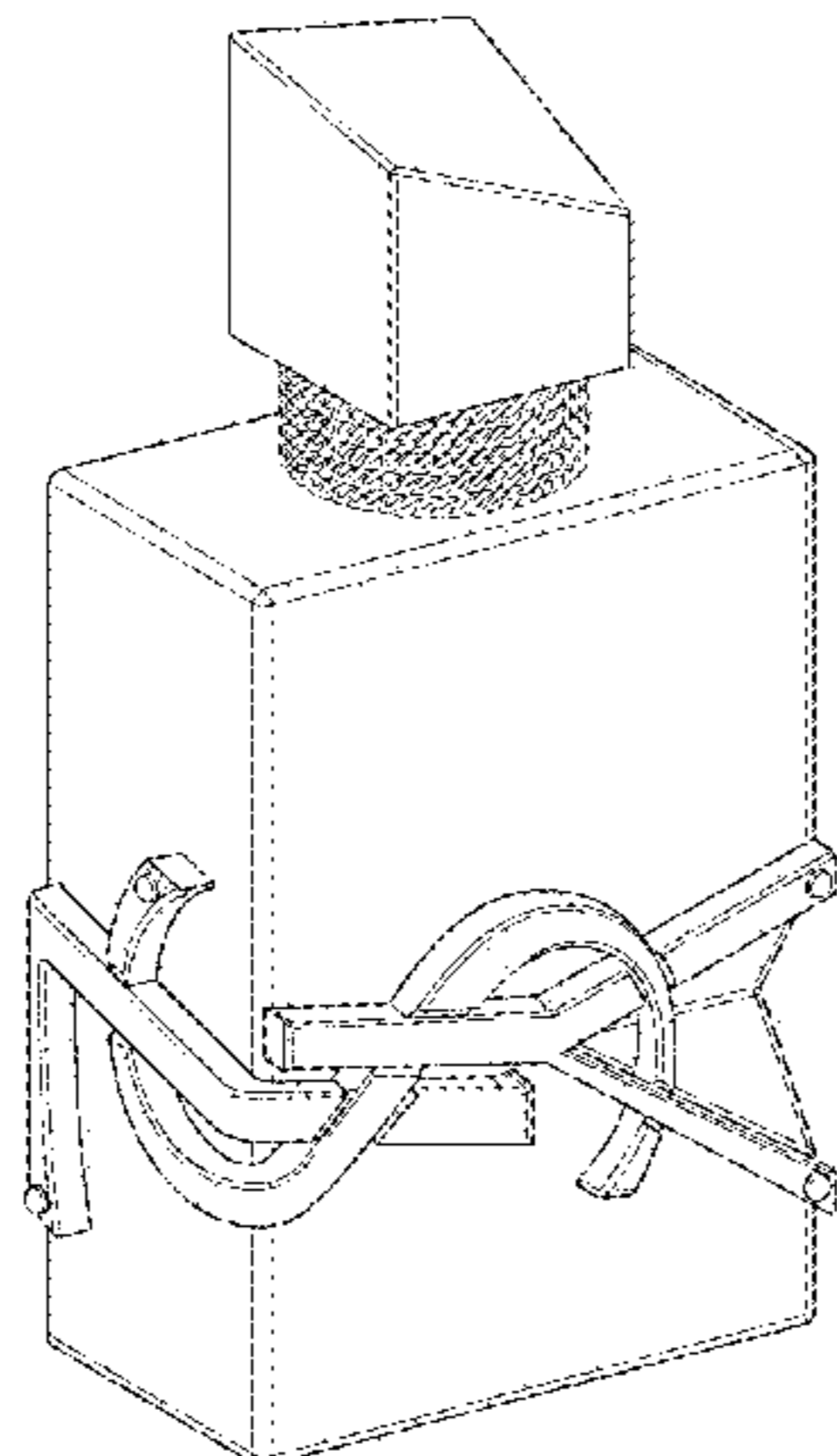
FIG. 2.7 Bottom;

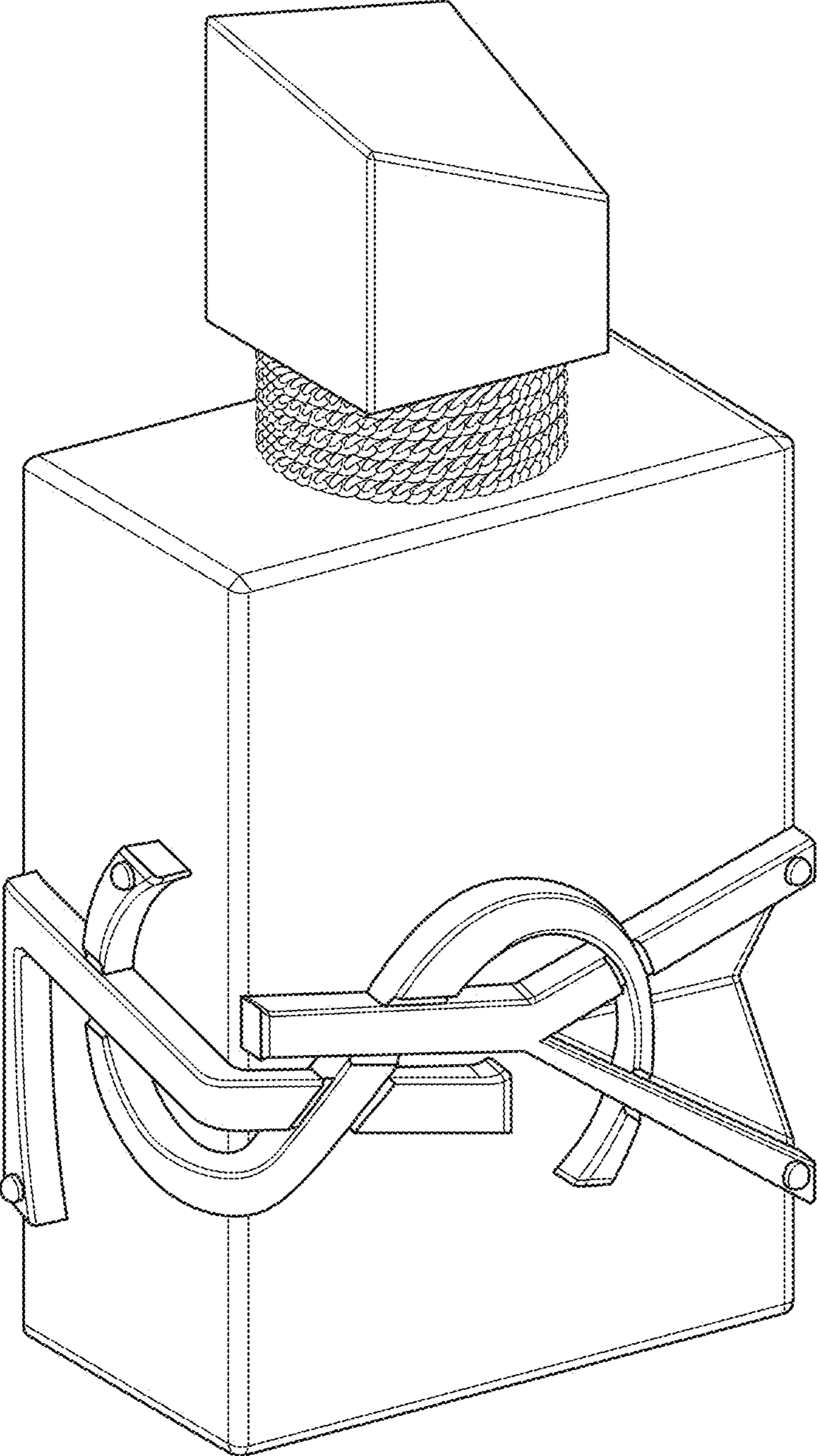
FIG. 2.8 Perspective;

FIG. 2.9 Front with cap removed; and

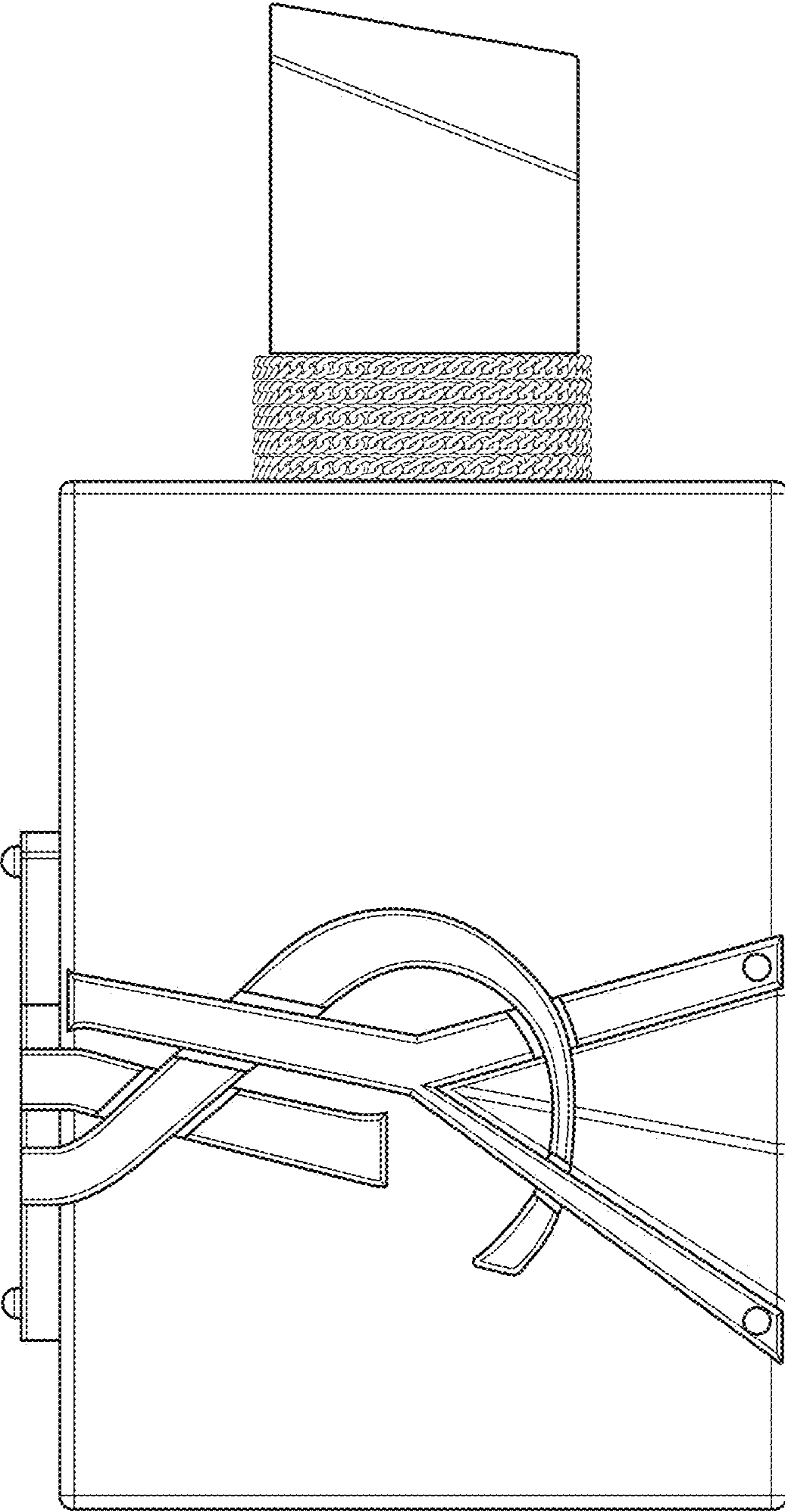
FIG. 2.10 Top with cap removed.

1 Claim, 19 Drawing Sheets
(10 of 19 Drawing Sheet(s) Filed in Color)

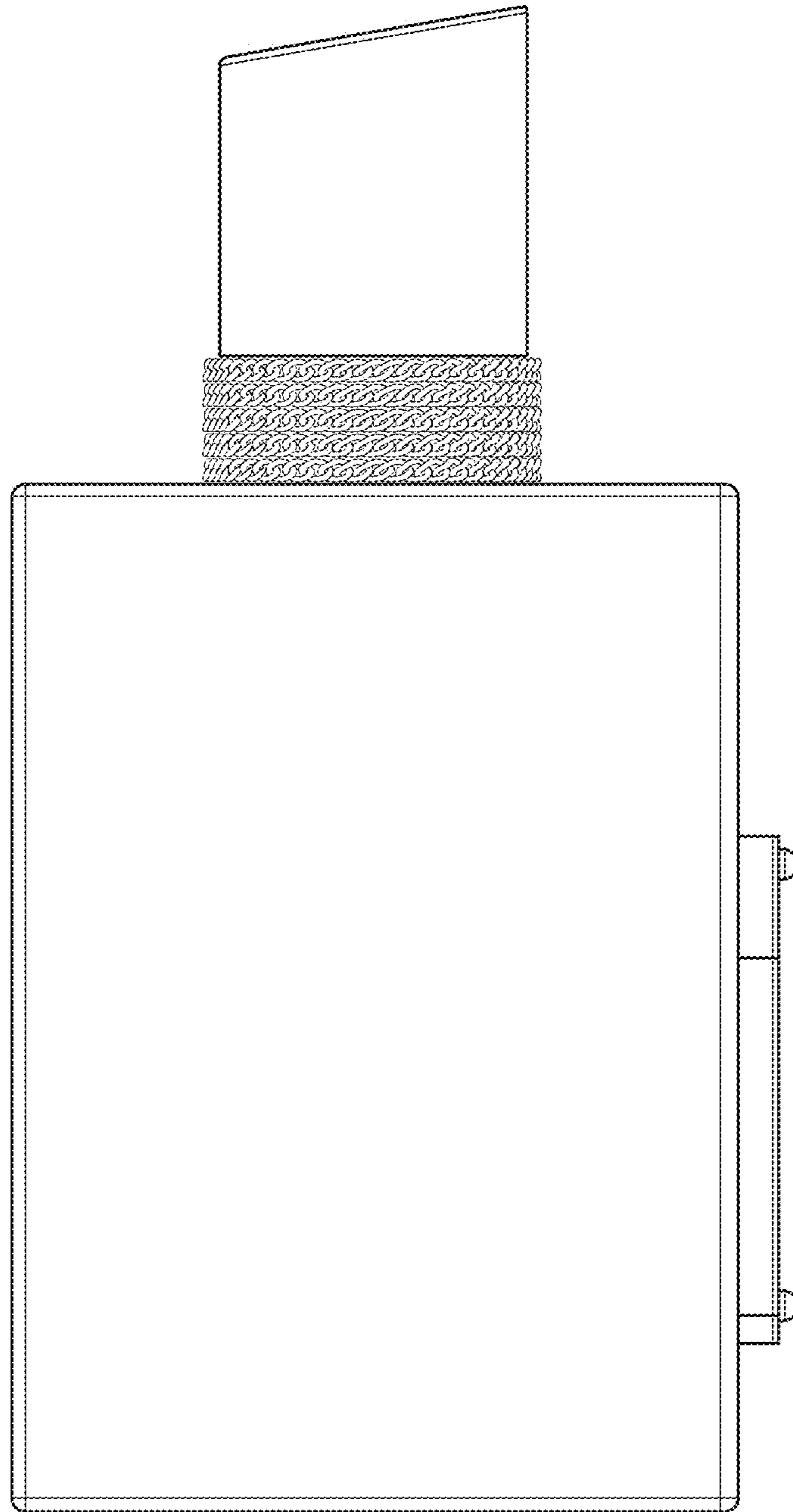




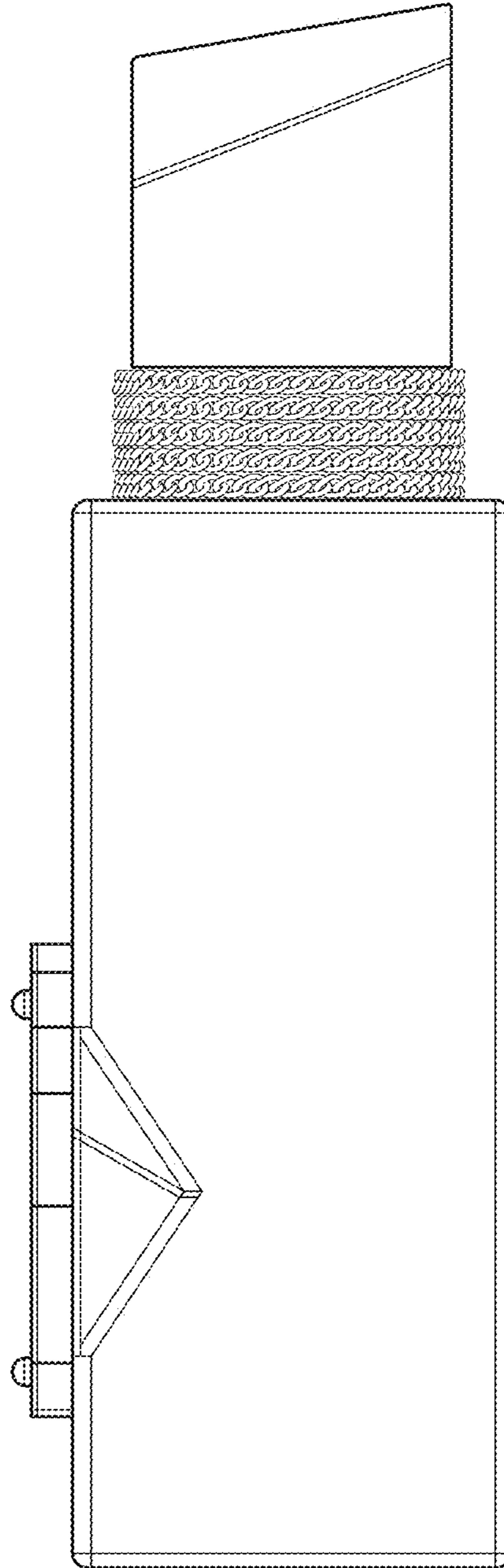
1.1



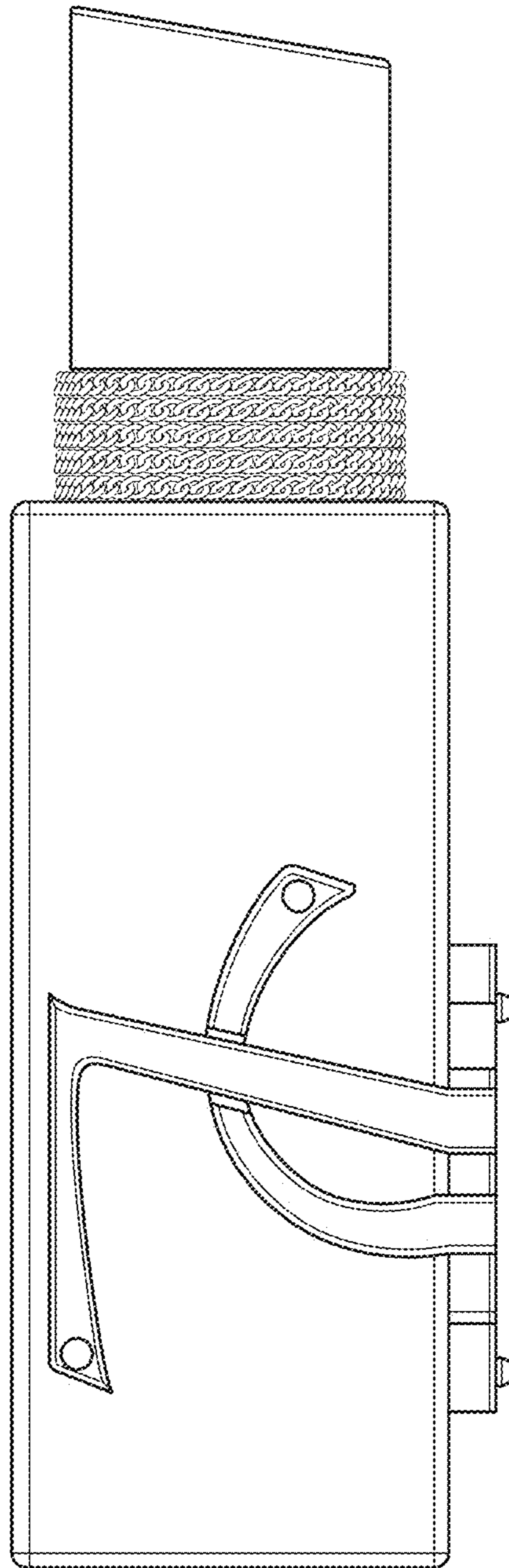
1.2



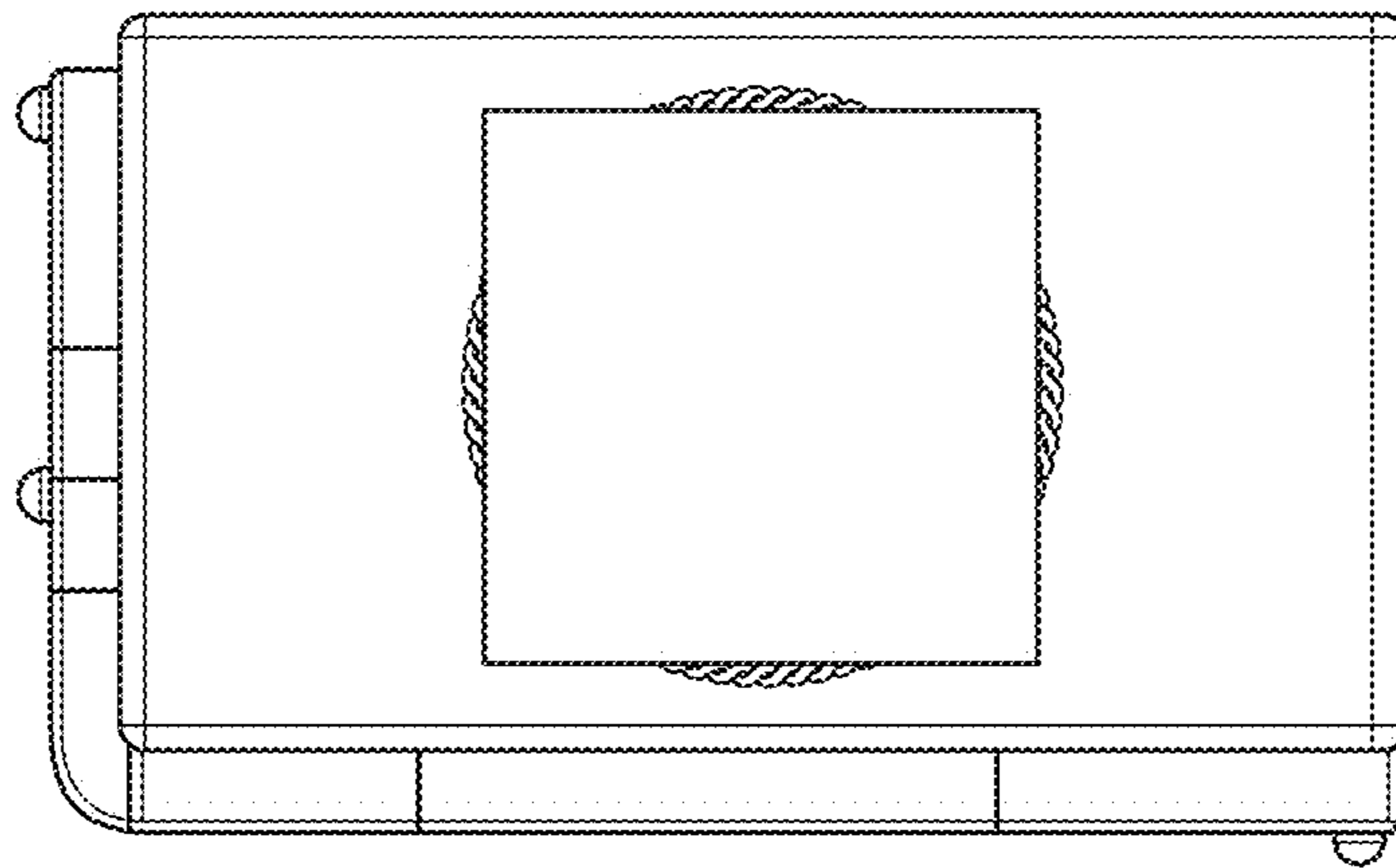
1.3



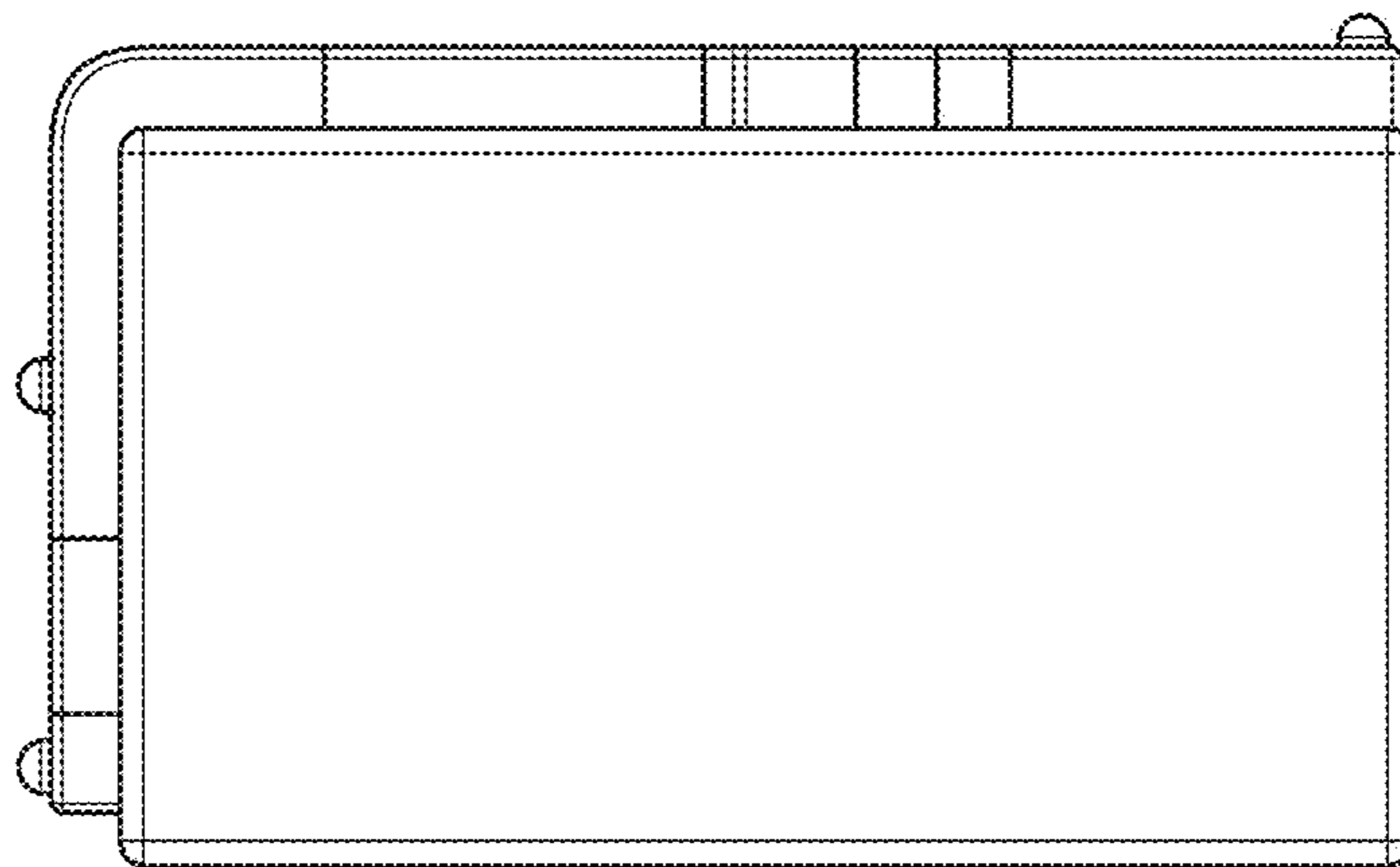
1.4



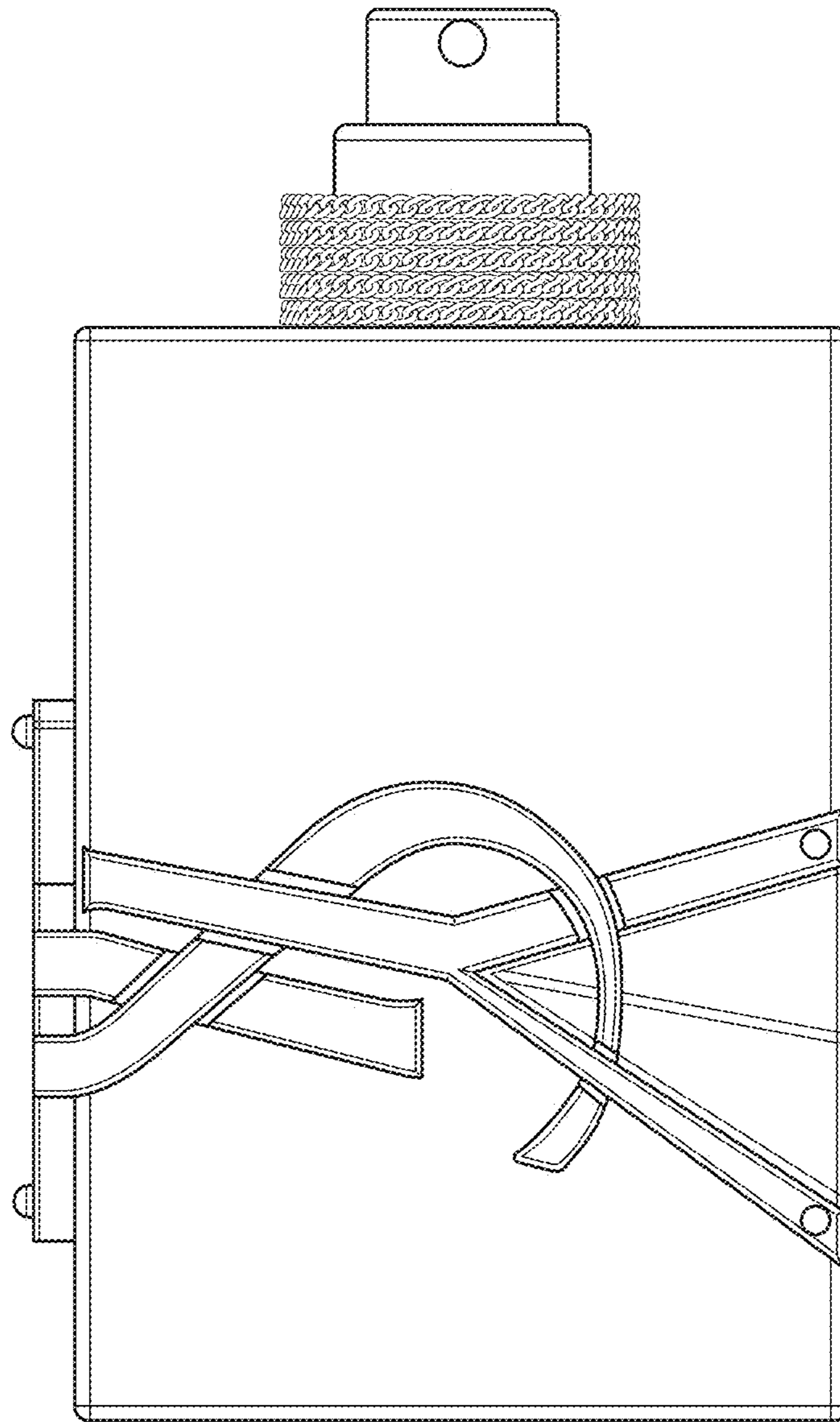
1.5



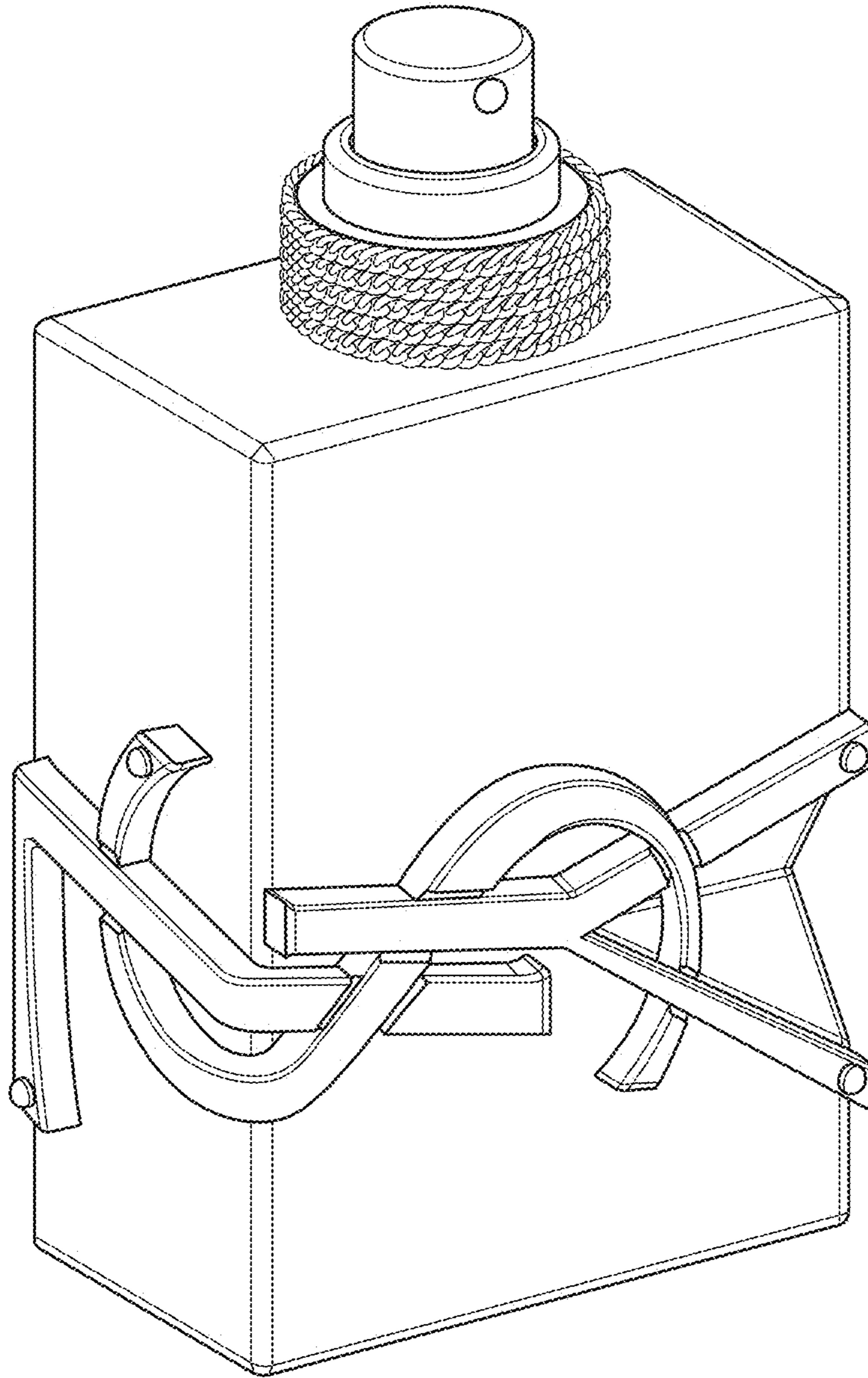
1.6



1.7



1.8

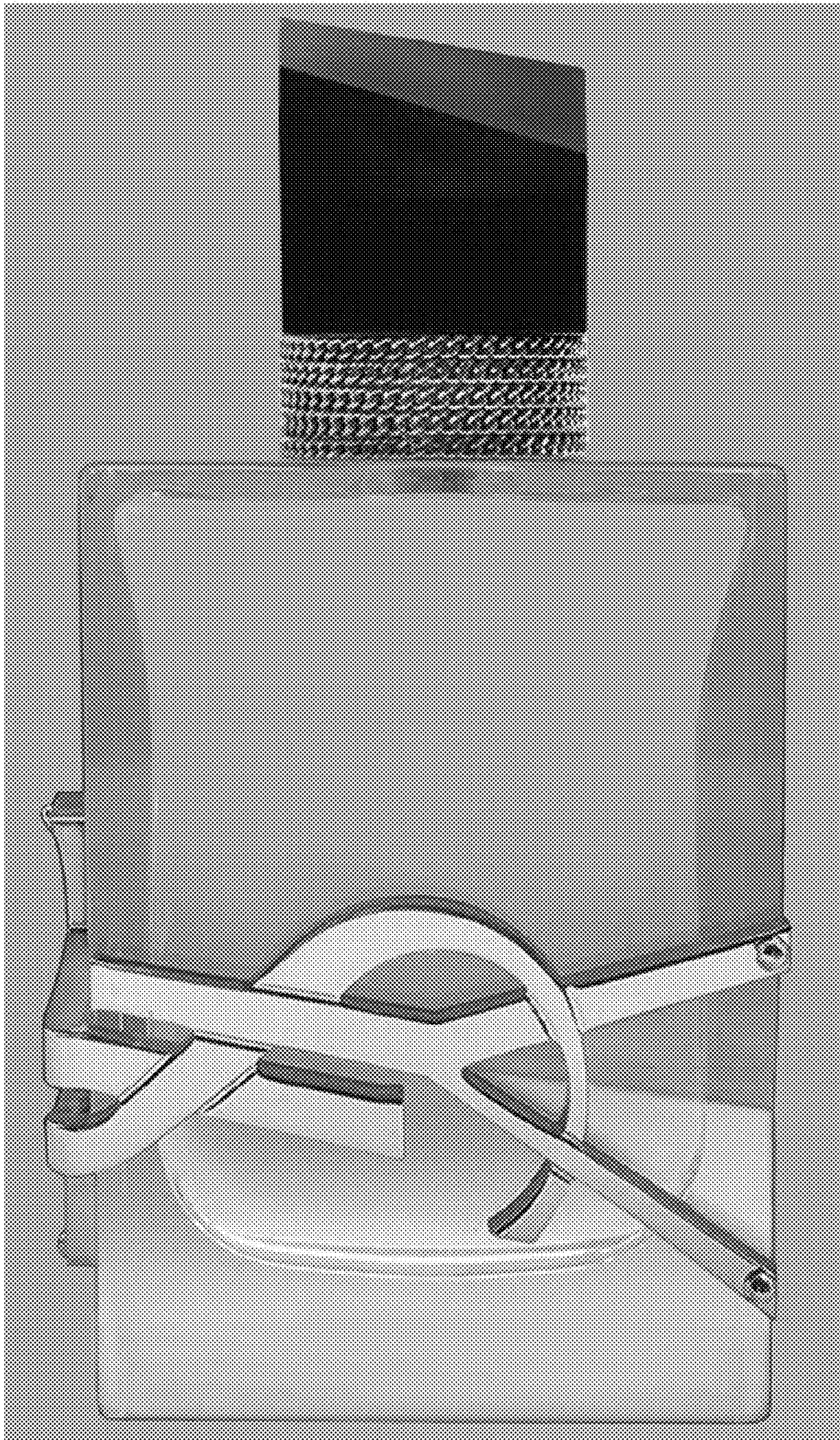


1.9

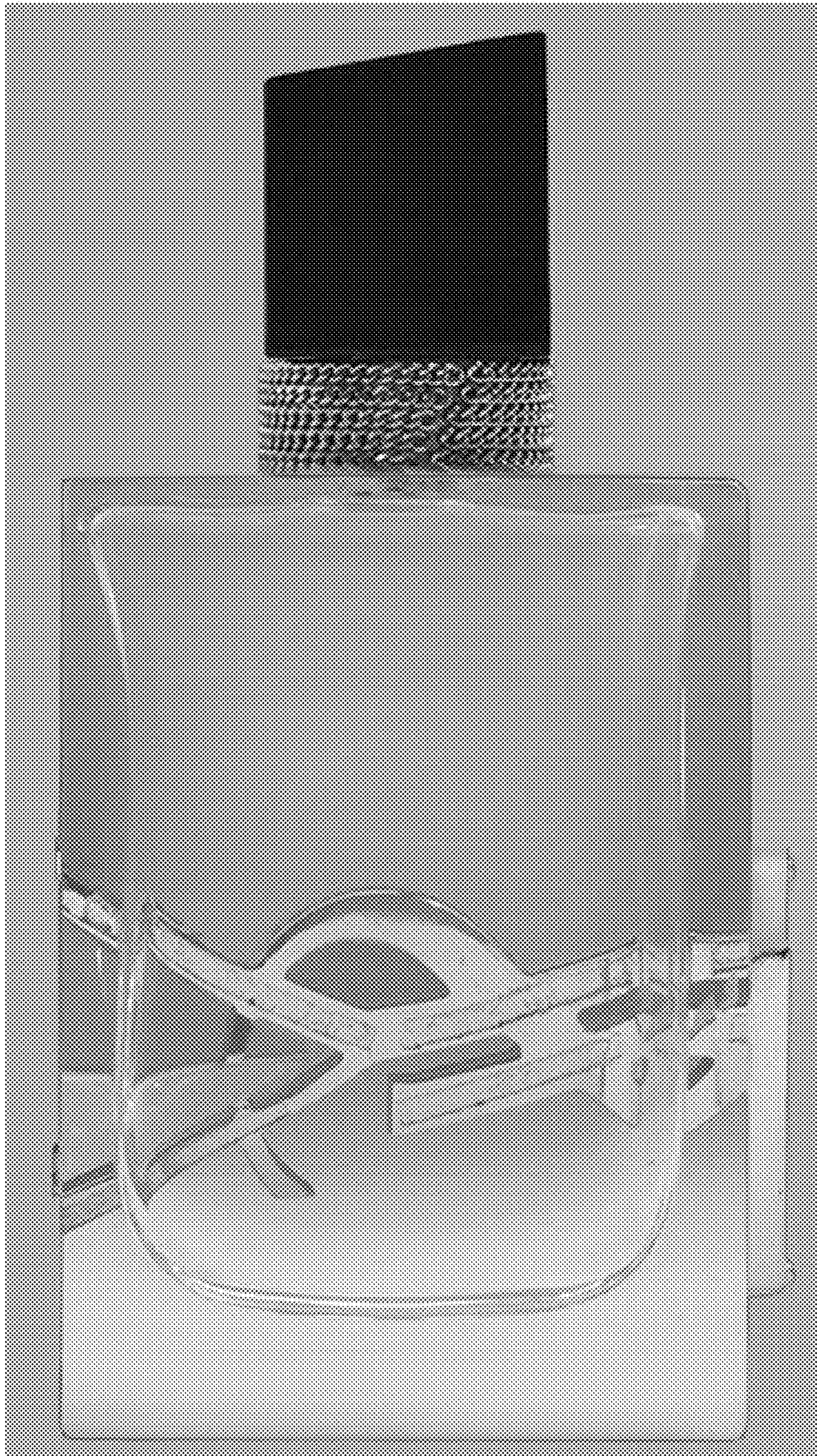
2.1



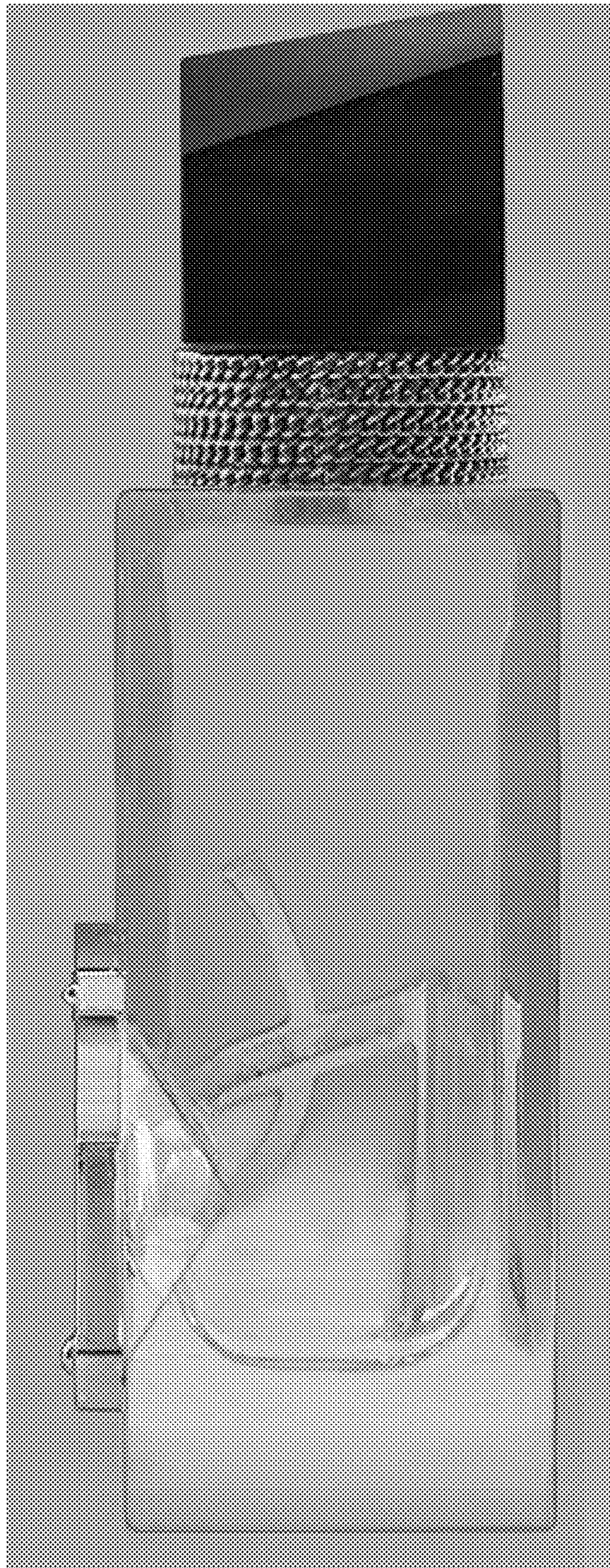
2.2



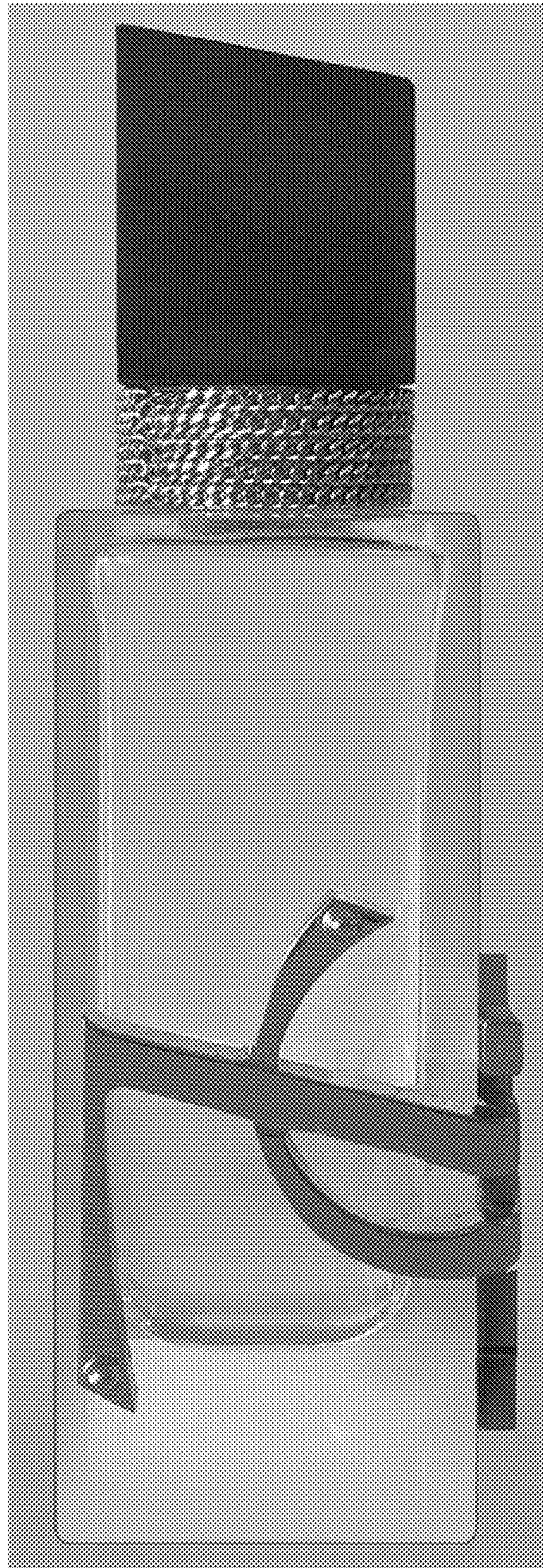
2.3



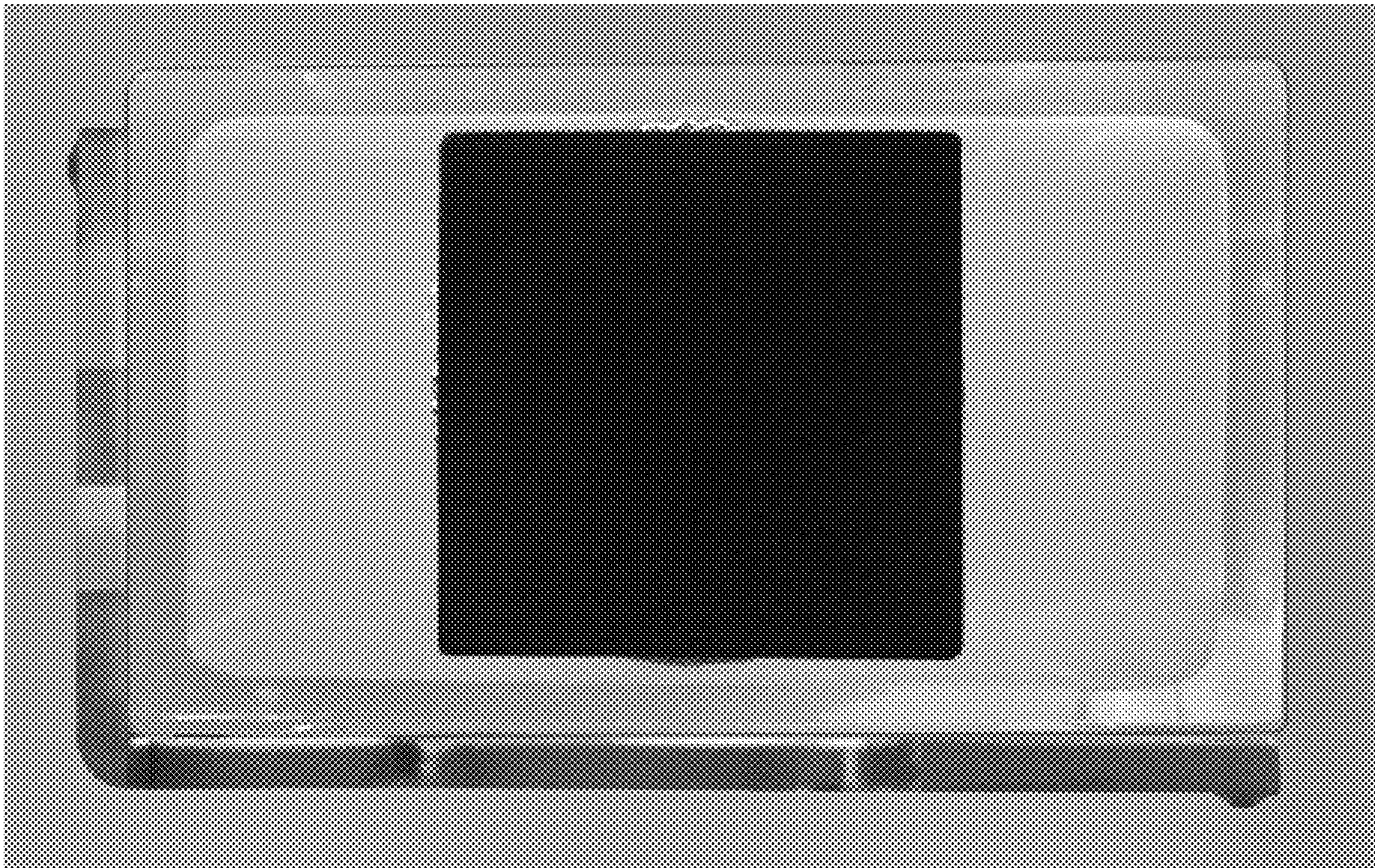
2.4



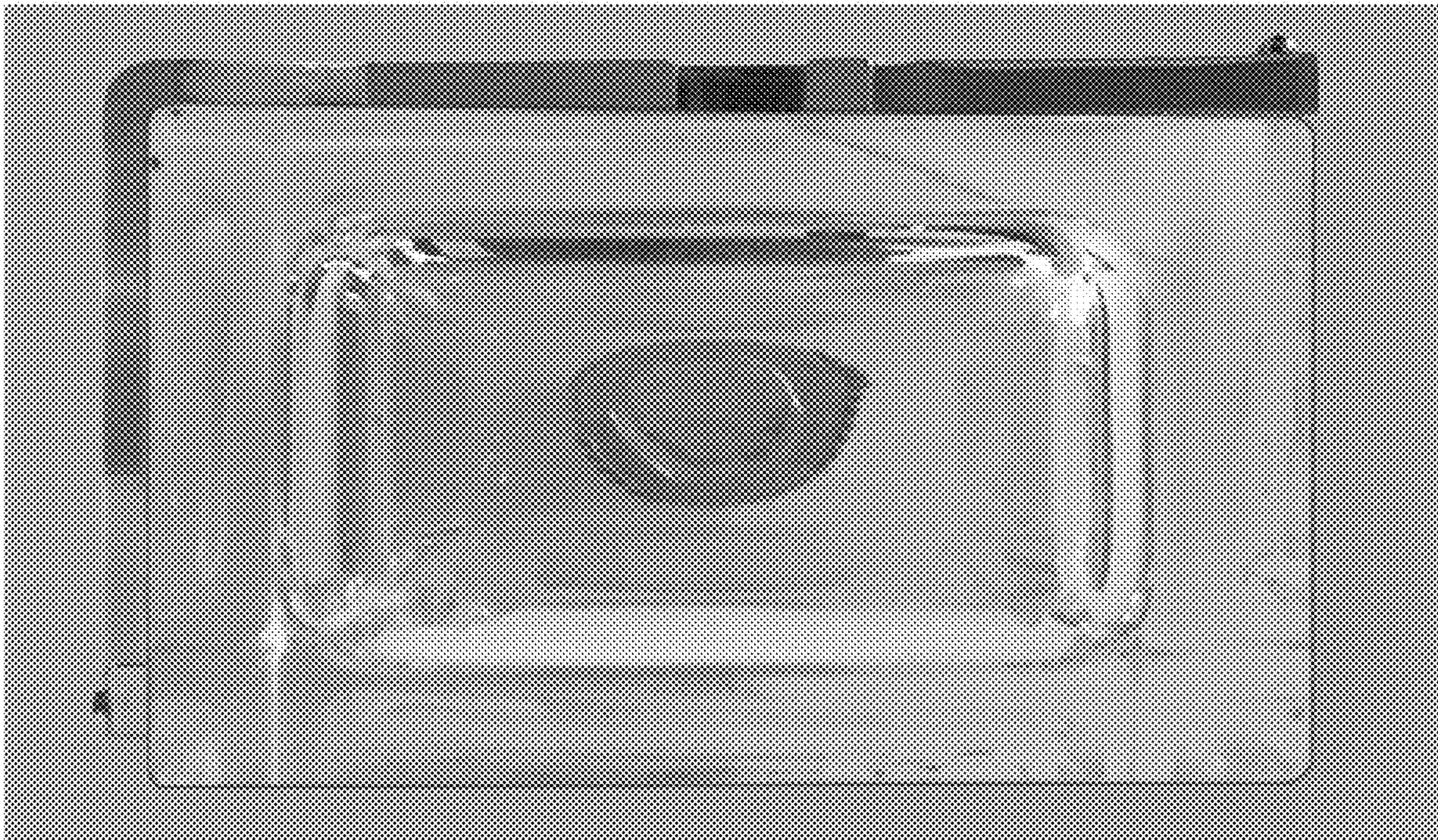
2.5



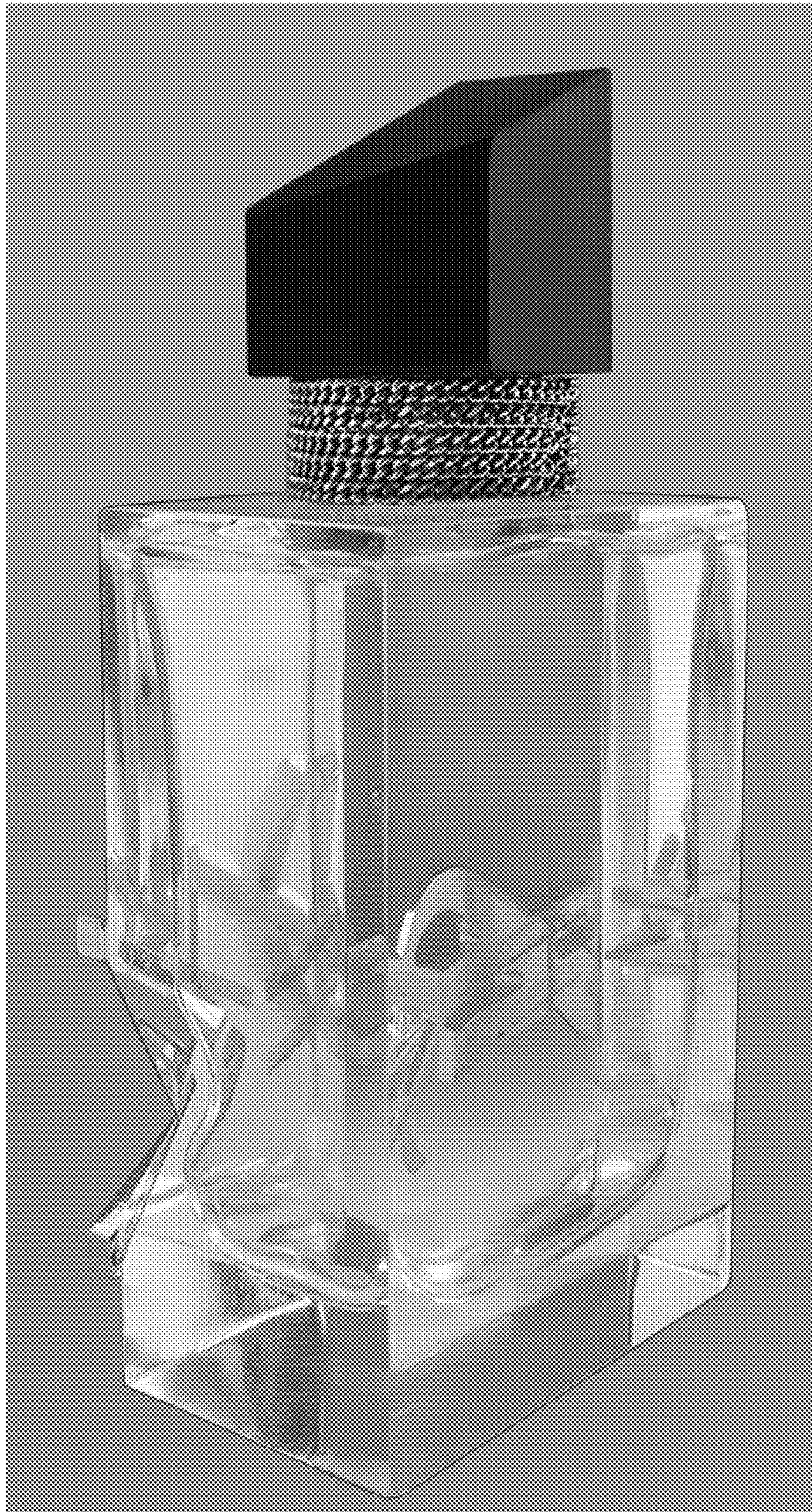
2.6



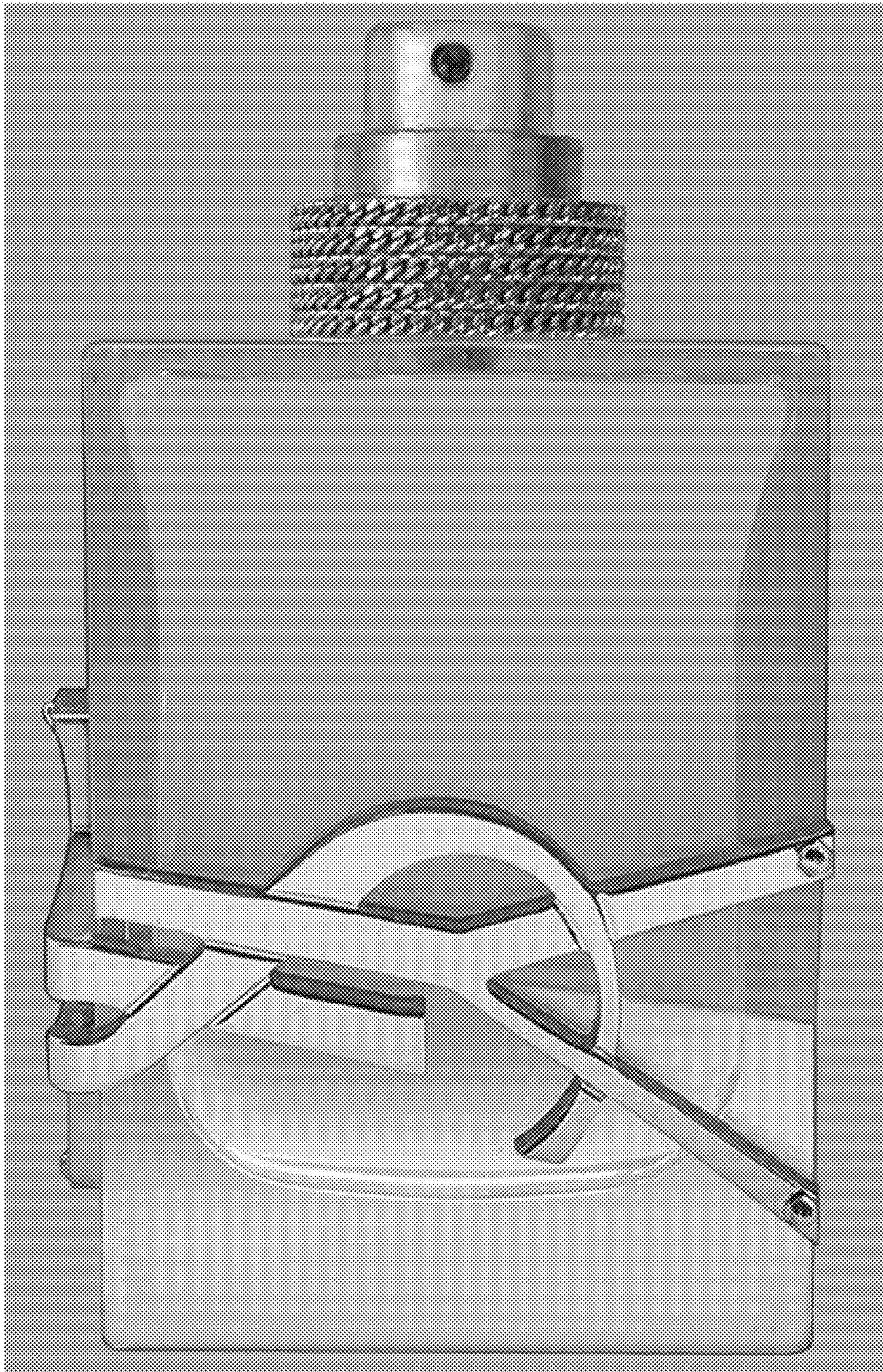
2.7



2.8



2.9



2.10

