



US00D913797S

(12) **United States Design Patent** (10) **Patent No.:** **US D913,797 S**
Gautier et al. (45) **Date of Patent:** **** Mar. 23, 2021**

(54) **PERFUME BOTTLE** 2040/12; A45D 2200/05; A45D 2200/051;
A45D 2200/052; A45D 2200/053

(71) Applicant: **PARFUMS CHRISTIAN DIOR**, Paris (FR) See application file for complete search history.

(72) Inventors: **François Gautier**, Colombes (FR);
David Biziou, Vincennes (FR); **Damien Vasseur**, Salency (FR)

(56) **References Cited**

U.S. PATENT DOCUMENTS

D562,689 S *	2/2008	Antretter	D9/439
7,695,209 B2 *	4/2010	Perignon	A45D 34/045 401/133
D716,655 S *	11/2014	Ericson	D9/436
D744,845 S *	12/2015	O'Donahue	D9/542
D795,699 S *	8/2017	Vivas	D9/545
D796,959 S *	9/2017	Krunas	D9/521
D797,565 S *	9/2017	Guyonnet	D9/544
D804,954 S *	12/2017	Staab	D9/560
D815,539 S *	4/2018	Cheloni	D9/543
D834,421 S *	11/2018	Aebi	D9/519
D842,705 S *	3/2019	Erceg	D9/569

(73) Assignee: **PARFUMS CHRISTIAN DIOR**, Paris (FR)

(**) Term: **15 Years**

(21) Appl. No.: **35/505,277**

(22) Filed: **Jun. 26, 2018**

(80) **Hague Agreement Data**

Int. Filing Date: **Jun. 26, 2018**

Int. Reg. No.: **DM/101811**

Int. Reg. Date: **Jun. 26, 2018**

Int. Reg. Pub. Date: **Jul. 13, 2018**

* cited by examiner

Primary Examiner — Bao-Yen T Nguyen

(74) *Attorney, Agent, or Firm* — Stephen J. Weyer, Esq.;
Stites & Harbison, PLLC

(30) **Foreign Application Priority Data**

Dec. 29, 2017 (EM) 004567568-0001

(51) **LOC (13) Cl.** **09-01**

(52) **U.S. Cl.**
USPC **D9/545**

(58) **Field of Classification Search**

USPC D9/500–504, 682, 688, 689, 690, 691,
D9/692, 516, 529, 544, 545, 549, 551,
D9/559; D28/76, 77, 82, 91, 91.1

CPC A45D 33/00; A45D 33/003; A45D 33/006;
A45D 33/02; A45D 33/025; A45D 33/18;
A45D 33/22; A45D 34/00; A45D
2034/007; A45D 34/02; A45D 40/40;
A45D 40/0068; A45D 40/0075; A45D

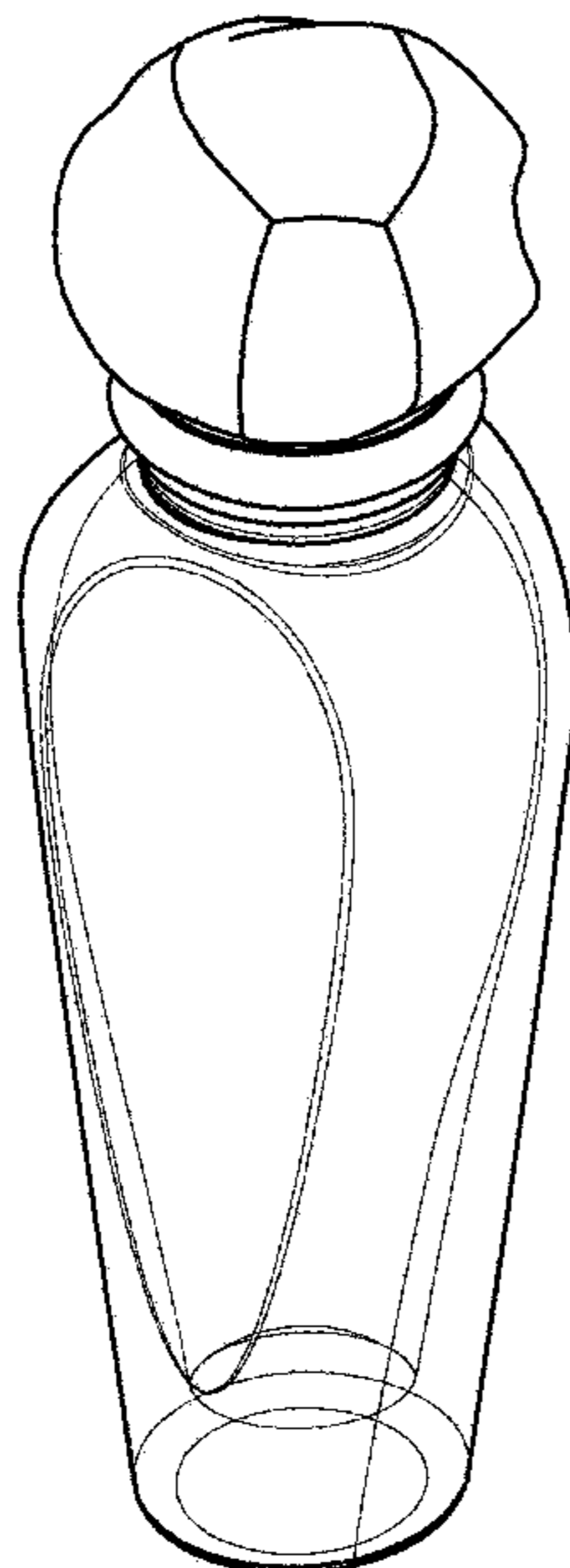
(57) **CLAIM**

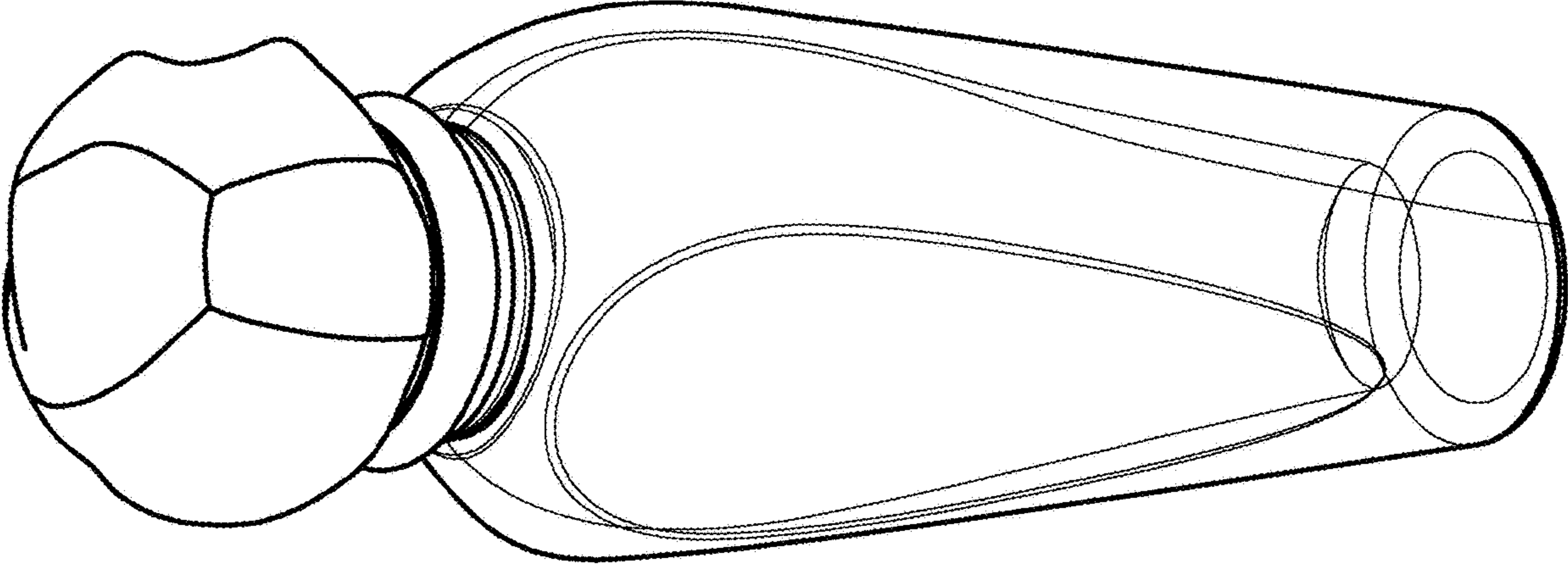
The ornamental design for a perfume bottle, as shown and described.

DESCRIPTION

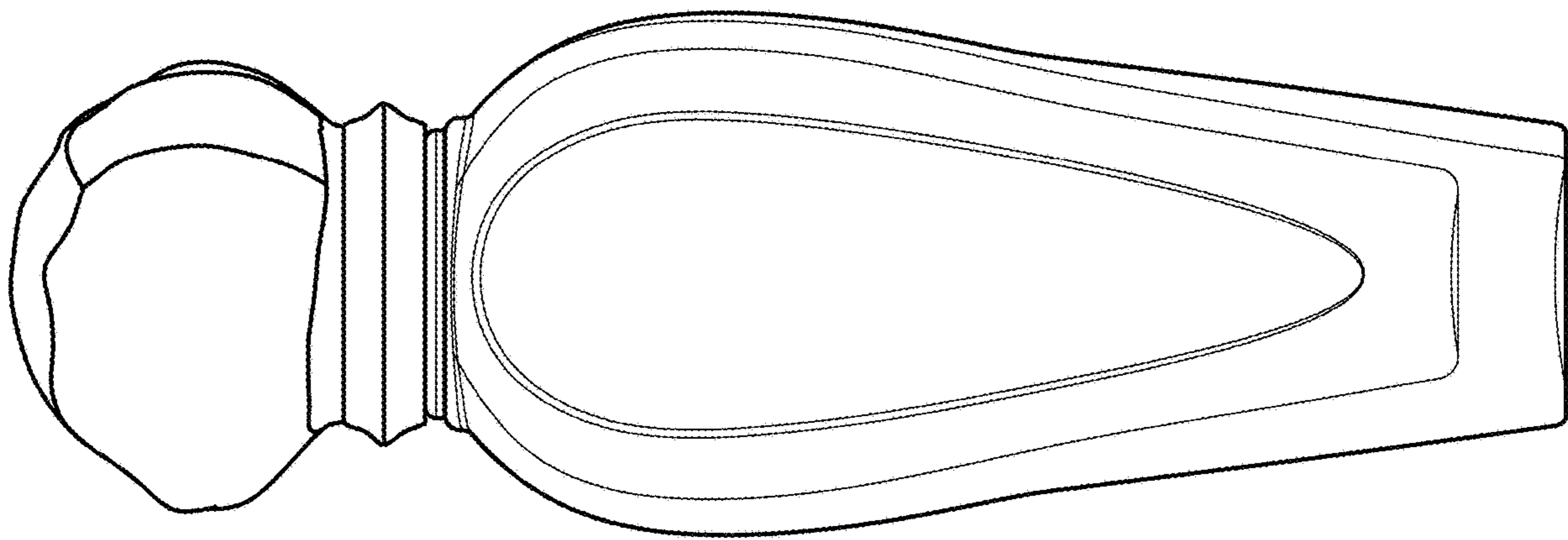
- 1. Perfume bottle
- 1.1 : Perspective
- 1.2 : Front
- 1.3 : Back
- 1.4 : Right
- 1.5 : Left
- 1.6 : Top
- 1.7 : Bottom

1 Claim, 7 Drawing Sheets

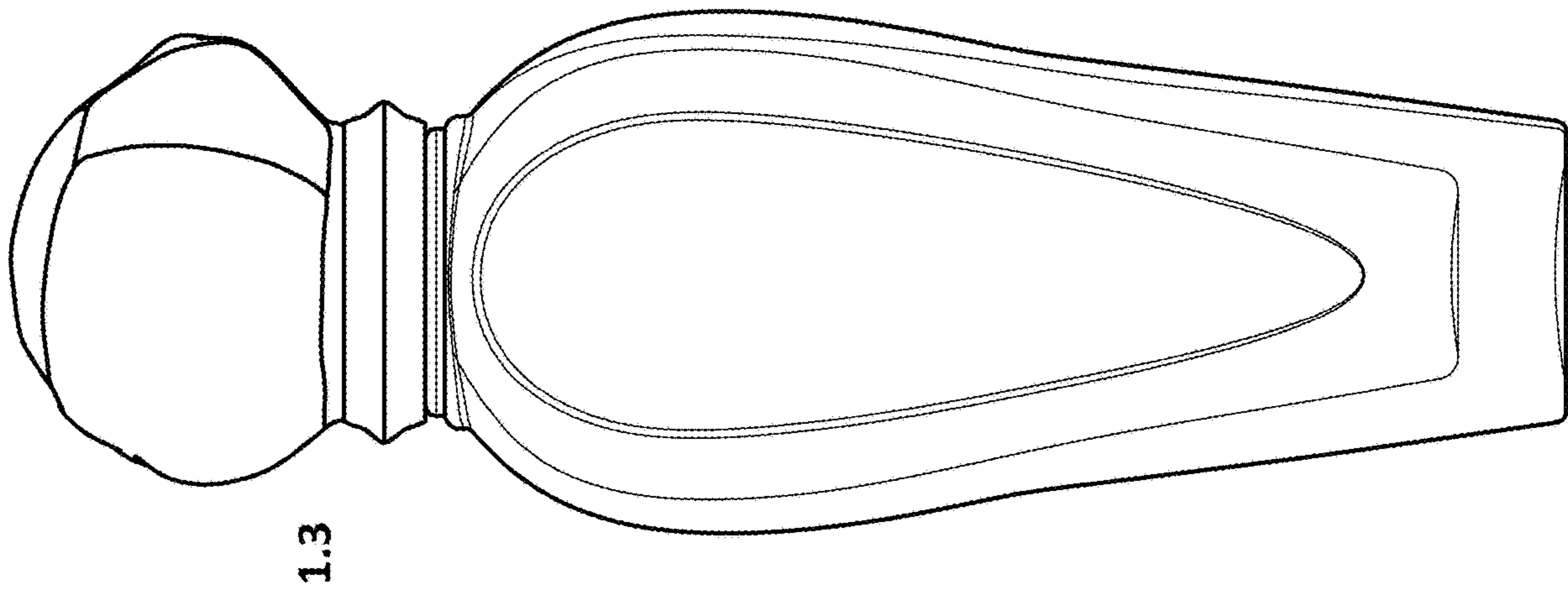


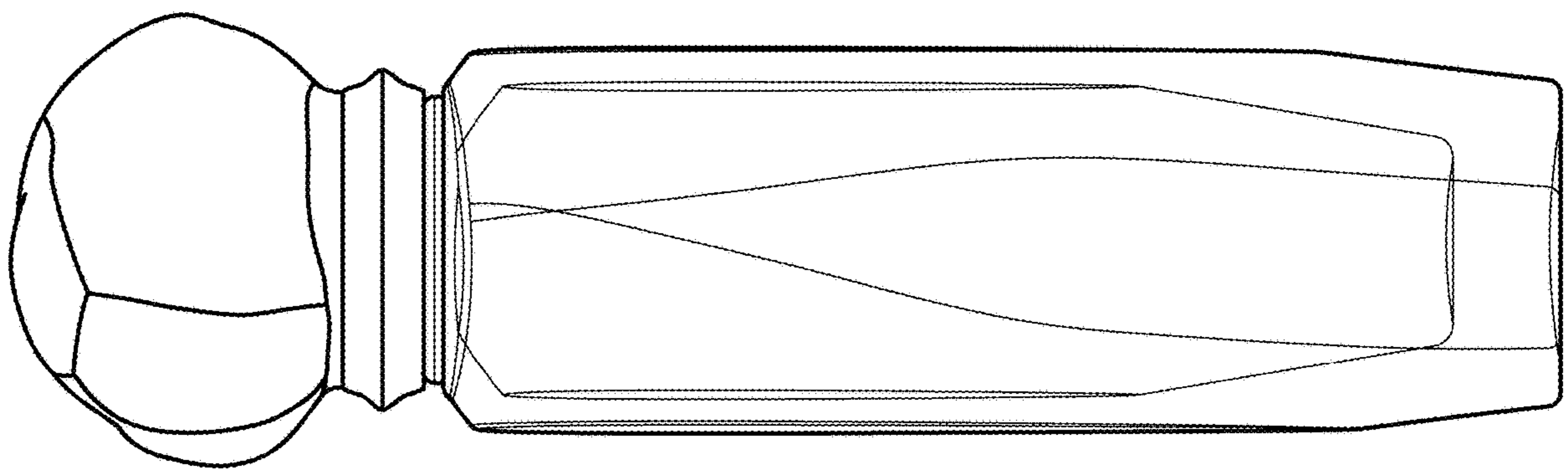


1.1

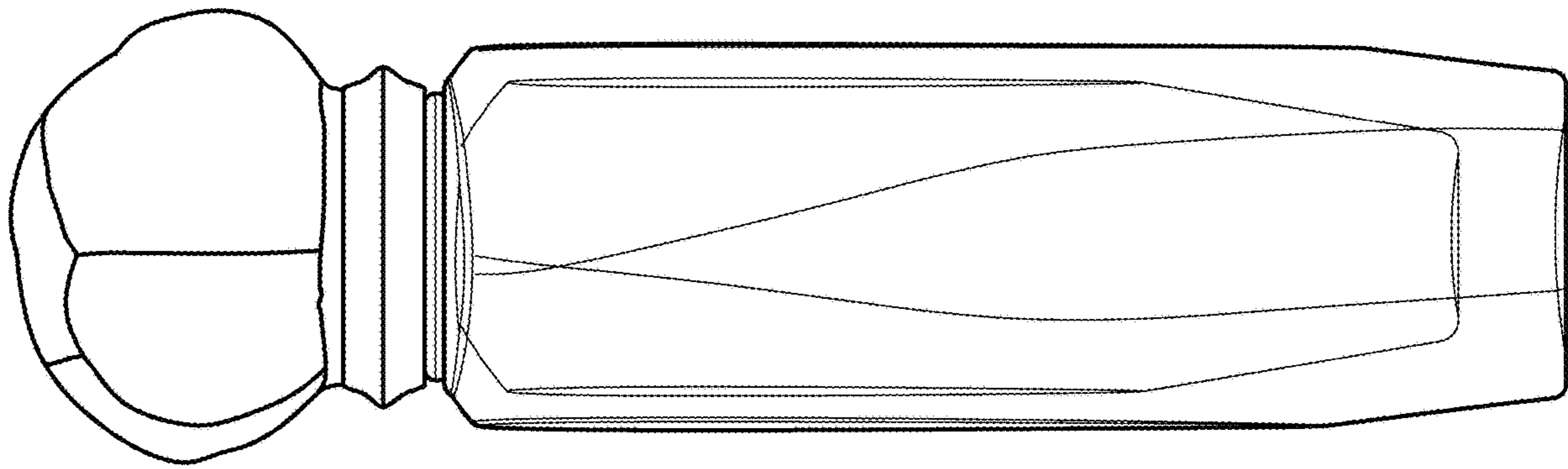


1.2



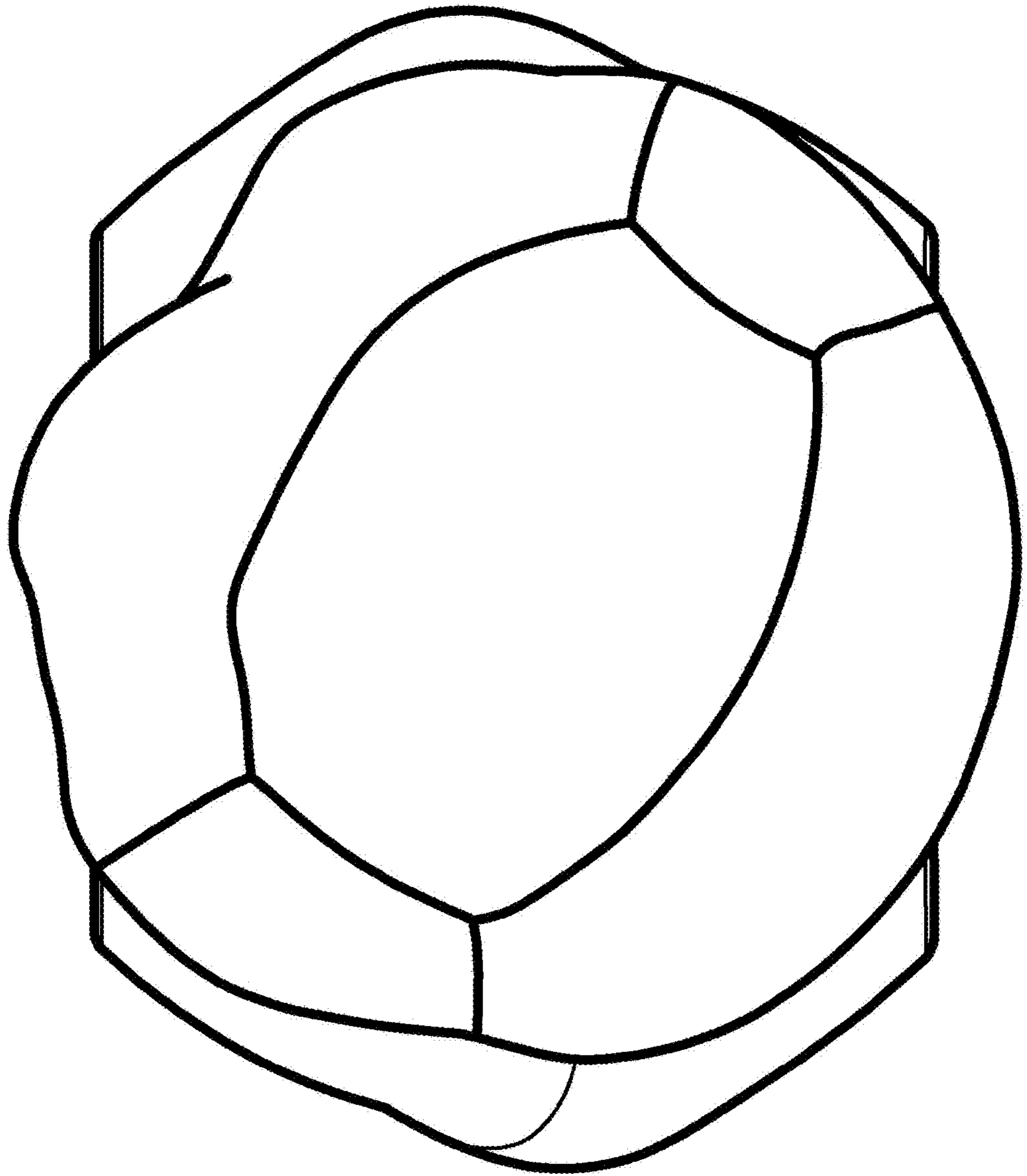


1.4



1.5

1.6



1.7

