



US00D913796S

(12) **United States Design Patent**
Massucco et al.

(10) **Patent No.:** **US D913,796 S**

(45) **Date of Patent:** **** *Mar. 23, 2021**

(54) **BOTTLE**

(71) Applicant: **HYDRAPAK LLC**, Oakland, CA (US)

(72) Inventors: **Michael Massucco**, Oakland, CA (US);
Matt Lyon, Moraga, CA (US); **Samuel Lopez**, San Francisco, CA (US)

(73) Assignee: **HYDRAPAK LLC**, Oakland, CA (US)

(*) Notice: This patent is subject to a terminal disclaimer.

(**) Term: **15 Years**

(21) Appl. No.: **29/706,166**

(22) Filed: **Sep. 18, 2019**

(51) **LOC (13) Cl.** **09-01**

(52) **U.S. Cl.**
USPC **D9/539**; D7/509

(58) **Field of Classification Search**
USPC D9/553, 530, 539, 540, 523, 560, 563,
D9/549, 738, 500, 501, 428, 429, 565,
D9/575, 529, 531; D7/509, 510, 511,
D7/523, 605, 608, 603; D24/121;
D11/143

CPC B65D 1/0223; B65D 79/005; B65D
2501/0081; B65D 23/102; B65D
2501/0036

See application file for complete search history.

(56) **References Cited**

U.S. PATENT DOCUMENTS

D204,711 S	5/1966	Plummer	
D350,672 S	9/1994	Egger et al.	
D427,909 S *	7/2000	Doritty	D9/500
D445,030 S *	7/2001	Croft	D9/438
D531,505 S	11/2006	Lohrman	
D566,468 S	4/2008	Sandy	
D605,517 S *	12/2009	Caldwell	D9/500

D626,414 S *	11/2010	Cresswell	D9/500
D629,689 S *	12/2010	Cresswell	D9/500
D629,690 S *	12/2010	Cresswell	D9/500
D633,794 S *	3/2011	Cresswell	D9/500
D633,795 S *	3/2011	Cresswell	D9/500
D633,796 S *	3/2011	Cresswell	D9/500
D649,402 S *	11/2011	Gilbert	D7/510
8,051,674 B2	11/2011	Roth et al.	
D651,853 S *	1/2012	Eyal	D7/510
D652,682 S *	1/2012	Eyal	D7/510
D658,944 S *	5/2012	Gilbert	D7/511

(Continued)

OTHER PUBLICATIONS

New HydraPak DualBot Water Bottle, available Sep. 10, 2009,[online], [site visited Jul. 10, 2020], Available from internet URL: <https://bikerumor.com/2009/09/10/new-hydrapak-dualbot-water-bottle/> (Year: 2009).*

(Continued)

Primary Examiner — W. A. Teddy Falloway

Assistant Examiner — Rani J Abdallah

(74) *Attorney, Agent, or Firm* — Sheridan Ross P.C.

(57) **CLAIM**

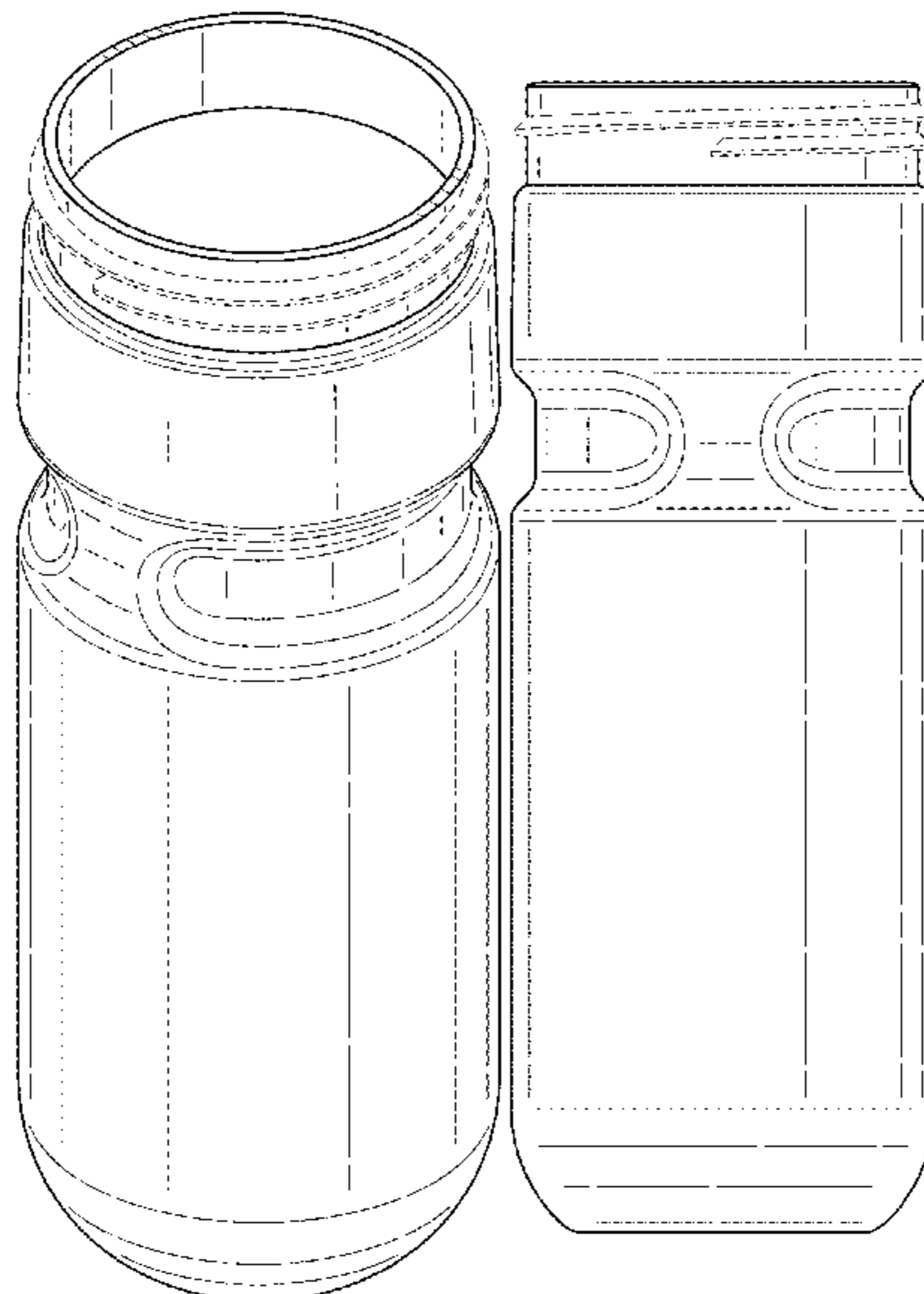
The ornamental design for a bottle, as shown and described.

DESCRIPTION

FIG. 1 is a perspective view of a bottle;
FIG. 2 is a front plan view thereof;
FIG. 3 is a back plan view thereof;
FIG. 4 is a right side plan view thereof;
FIG. 5 is a left side plan view thereof;
FIG. 6 is a top plan view thereof; and,
FIG. 7 is a bottom plan view.

The broken lines of FIG. 7 show portions of the bottle which form no part of the claimed design. The dash-dot-dash line(s) of FIG. 7 define the bounds of the claimed design and form no part thereof.

1 Claim, 6 Drawing Sheets



(56)

References Cited

U.S. PATENT DOCUMENTS

D669,737 S * 10/2012 Nemeth D7/532
 D690,162 S * 9/2013 Staton
 D706,582 S * 6/2014 Oas D7/510
 D714,154 S * 9/2014 Keeler
 D729,583 S * 5/2015 Lapsker D7/510
 D729,584 S * 5/2015 Weston D7/510
 D736,562 S * 8/2015 Green et al.
 D740,676 S * 10/2015 Brown D9/500
 D746,634 S * 1/2016 Lapsker D7/532
 D752,434 S * 3/2016 Willows et al.
 D758,132 S * 6/2016 Breit
 D760,027 S * 6/2016 Meyers et al.
 D761,624 S * 7/2016 McLean D7/510
 D771,490 S * 11/2016 Junkel
 D774,351 S * 12/2016 Breit et al.
 D777,518 S * 1/2017 Frazier et al.
 D784,775 S * 4/2017 Seiders D7/608
 D789,150 S * 6/2017 Heiberger
 D791,549 S * 7/2017 Goodwin D7/608
 D792,742 S * 7/2017 Meyers D7/536
 D793,810 S * 8/2017 Frazier
 D794,397 S * 8/2017 Seiders D7/608
 D795,647 S * 8/2017 Heiberger et al.
 D798,664 S * 10/2017 Kristinik D7/509
 D799,906 S * 10/2017 Seiders D7/608
 D799,907 S * 10/2017 Seiders D7/608
 D805,852 S * 12/2017 Seiders D7/608
 D808,219 S * 1/2018 Heiberger et al.
 D810,510 S * 2/2018 Serruya D7/511
 D822,489 S * 7/2018 Bischoff D9/500
 D841,473 S * 2/2019 Omdahl, II D9/530
 D841,474 S * 2/2019 Omdahl, II D9/530
 D846,354 S * 4/2019 Omdahl, II D7/510
 D860,800 S * 9/2019 Hao D9/540
 D876,173 S * 2/2020 Kotani D7/608
 D876,895 S * 3/2020 McCready D7/510
 D879,559 S * 3/2020 Lowette D7/531
 D883,041 S * 5/2020 Park D7/608
 D885,923 S * 6/2020 Omdahl, II D9/530
 D888,578 S * 6/2020 Chupak D9/776
 2002/0039609 A1 * 4/2002 Bezek B65D 1/165
 426/106
 2005/0023237 A1 2/2005 Inestroza
 2006/0157490 A1 7/2006 Lipson
 2008/0047924 A1 * 2/2008 Coats B65D 25/465
 215/389

2010/0288758 A1 11/2010 Blain
 2012/0193316 A1 8/2012 Starks
 2016/0316896 A1 11/2016 Breit et al.
 2017/0305640 A1 * 10/2017 Thompson B65D 23/0878

OTHER PUBLICATIONS

Sports Squeeze Water Bottles, available Dec. 2, 2018, [online], [site visited Jul. 10, 2020], Available from internet URL: https://www.amazon.com/50-Strong-Sports-Squeeze-Bottles/dp/B079ZZYV4L?ref=ast_sto_dp&th=1#customerReviews (Year: 2018).*

Via Velo Bicycle Reflective Insulated Water Bottle, available Sep. 6, 2019 [online], [site visited Jul. 10, 2020], Available from internet URL: https://www.amazon.com/Via-Velo-Reflective-Insulated-Activities/dp/B0723GS7NJ/ref=cm_cr_arp_d_product_top?ie=UTF8 (Year: 2019).*

ELITE Super Corsa, available Mar. 24, 2019 [online], [visited Jul. 10, 2020], URL: https://www.amazon.com/Elite-0091754-Super-Corsa-Bottle/dp/B00G8QHOG/ref=as_li_ss_tl?ie=UTF8&qid=1503214268&sr=8-1-fkmr0&keywords=Elite+SuperCorsa+Team+750ml+Water+Bottle&linkCode=sl1&tag=bestcyclingwaterbottlesys05-20&link (Year: 2020).*

U.S. Appl. No. 29/583,577, filed Nov. 7, 2016, now issued as U.S. Pat. No. D. 808,219.

U.S. Appl. No. 29/706,111, filed Sep. 18, 2018.

U.S. Appl. No. 29/706,173, filed Sep. 18, 2019.

U.S. Appl. No. 29/106,182, filed Sep. 18, 2019.

U.S. Appl. No. 29/706,111, filed Sep. 18, 2019, Massucco et al.

U.S. Appl. No. 29/706,173, filed Sep. 18, 2019, Massucco et al.

U.S. Appl. No. 29/706,182, filed Sep. 18, 2019, Massucco et al.

“Polar bottle-Insulated Sport Bottle” Brochure, Product Architects, Inc., 2011, 1 page.

“Polar Bottle—Spring 2012” Brochure, Product Architects; Inc., 2012, 5 pages.

Notice of Allowance (with English translation) for Chinese Patent Application No. 201730159894.3, dated Aug. 7, 2017, 5 pages.

Notice of Allowance for U.S. Appl. No. 29/583,577, dated Sep. 26, 2017, 9 pages.

Notice of Allowance (with English translation) for Chinese Patent Application No. 202030081840.1, dated Jun. 8, 2020, 3 pages.

Official Action for U.S. Appl. No. 29/706,111, dated Jul. 21, 2020, 12 pages.

* cited by examiner

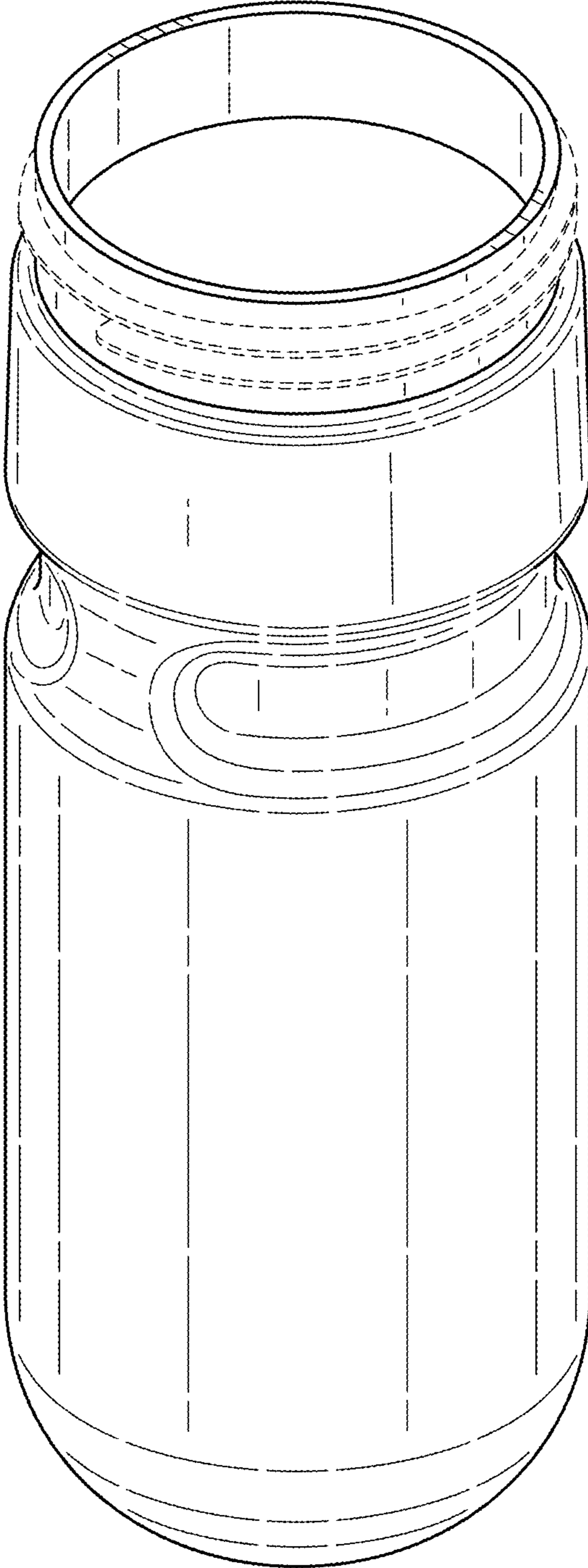


FIG. 1

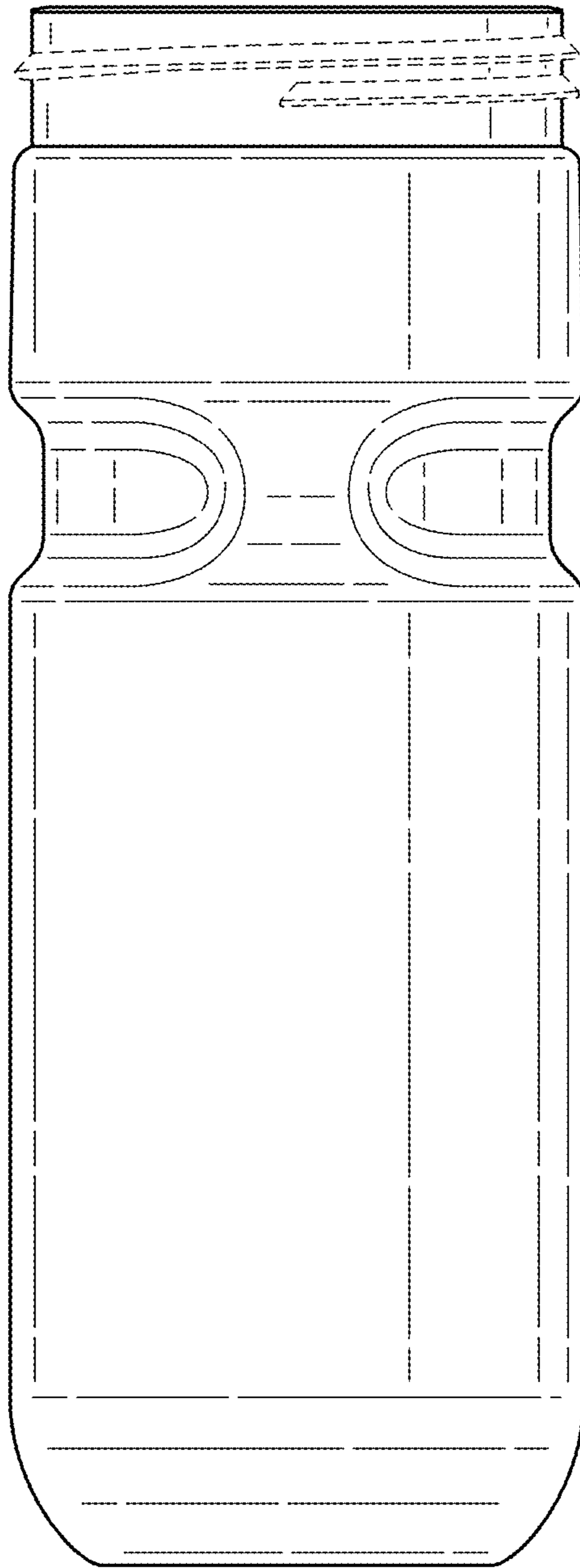


FIG.2

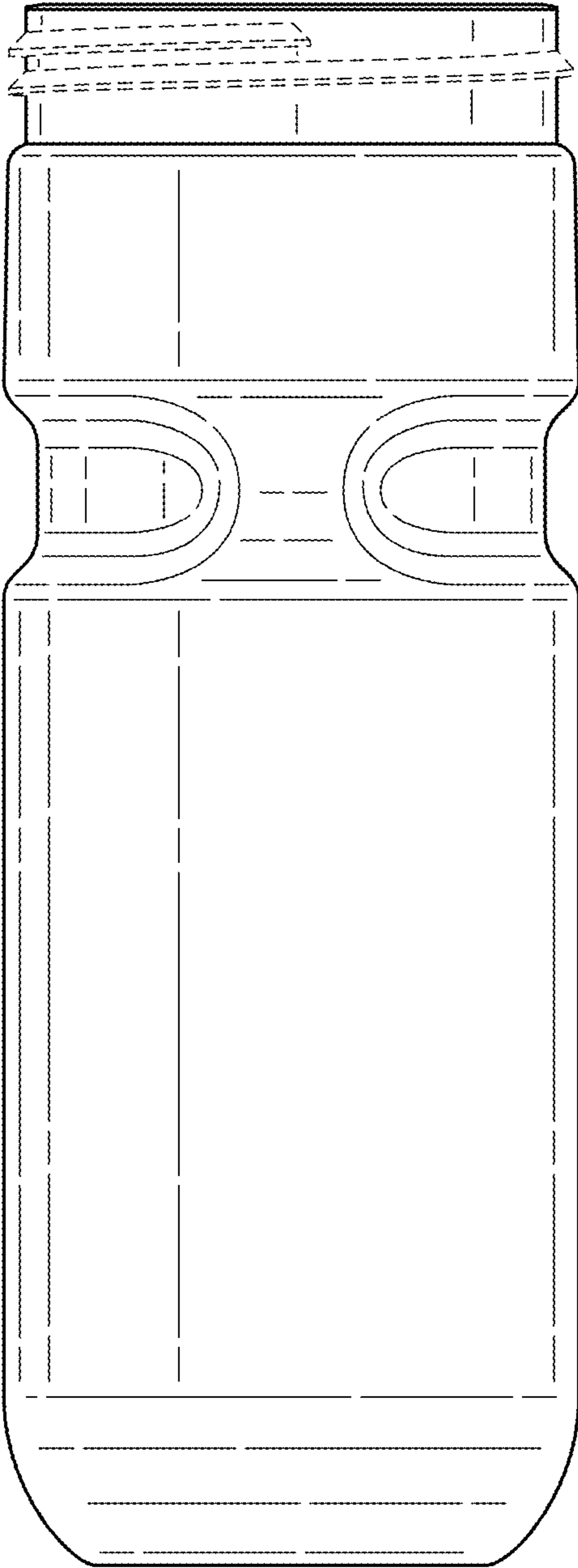


FIG.3

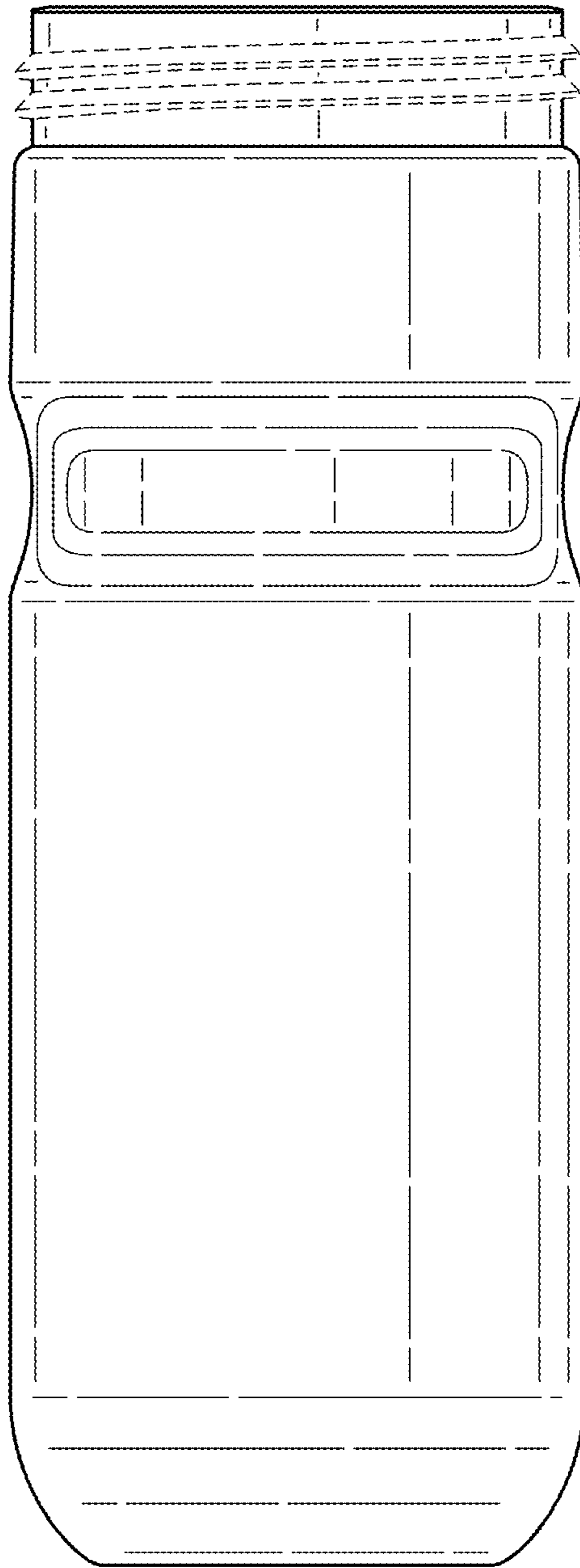


FIG.4

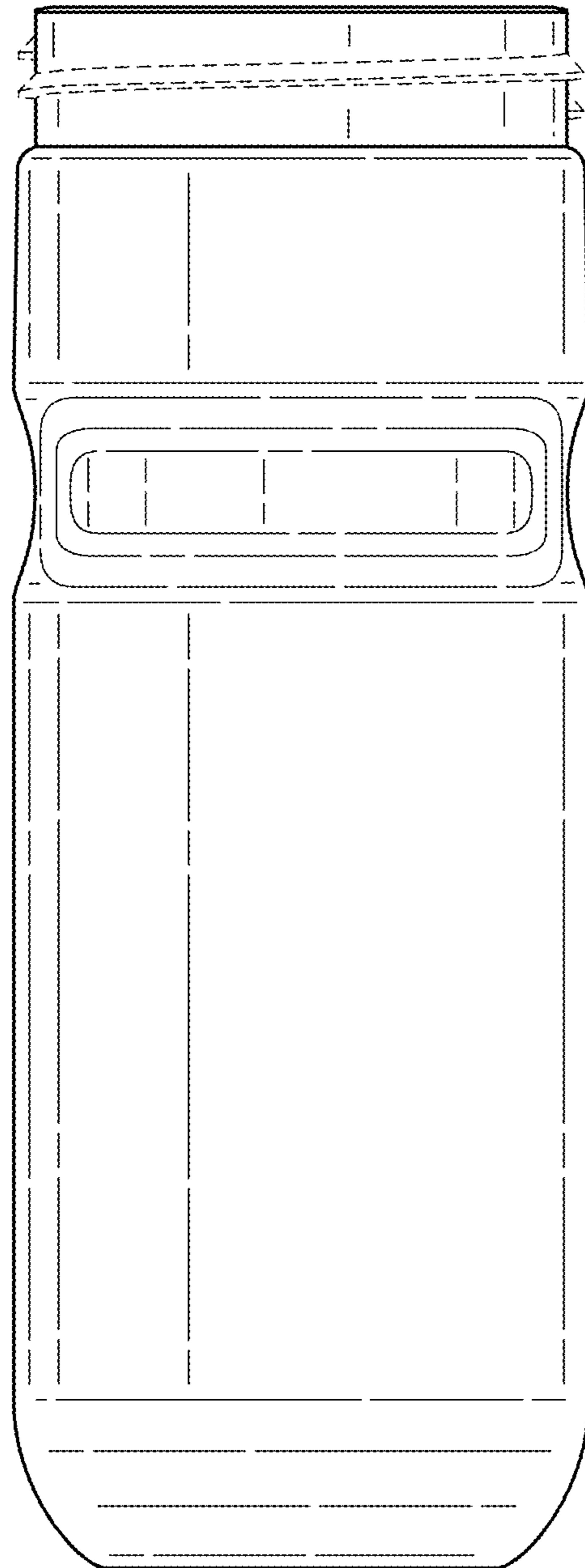


FIG.5

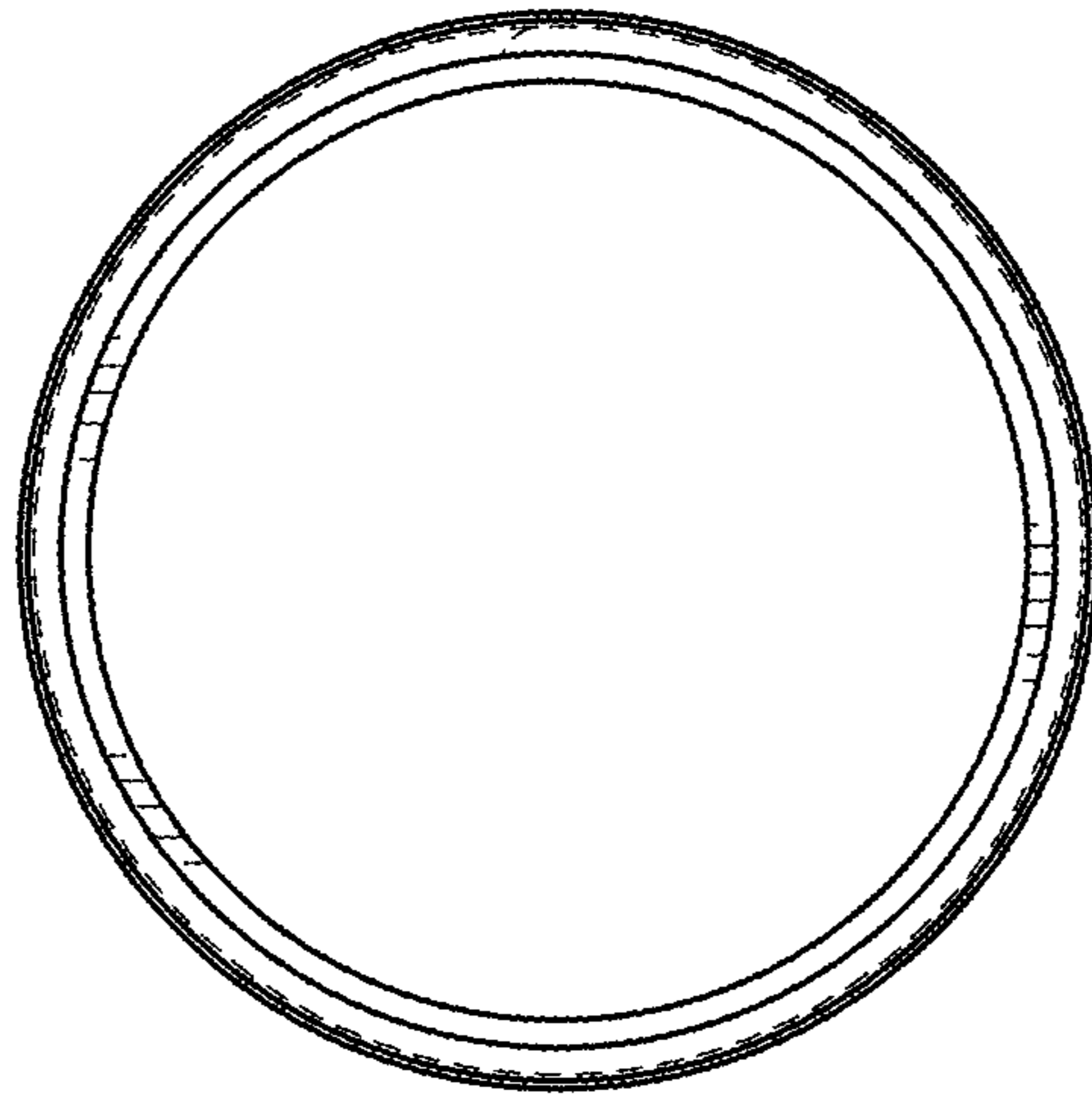


FIG. 6

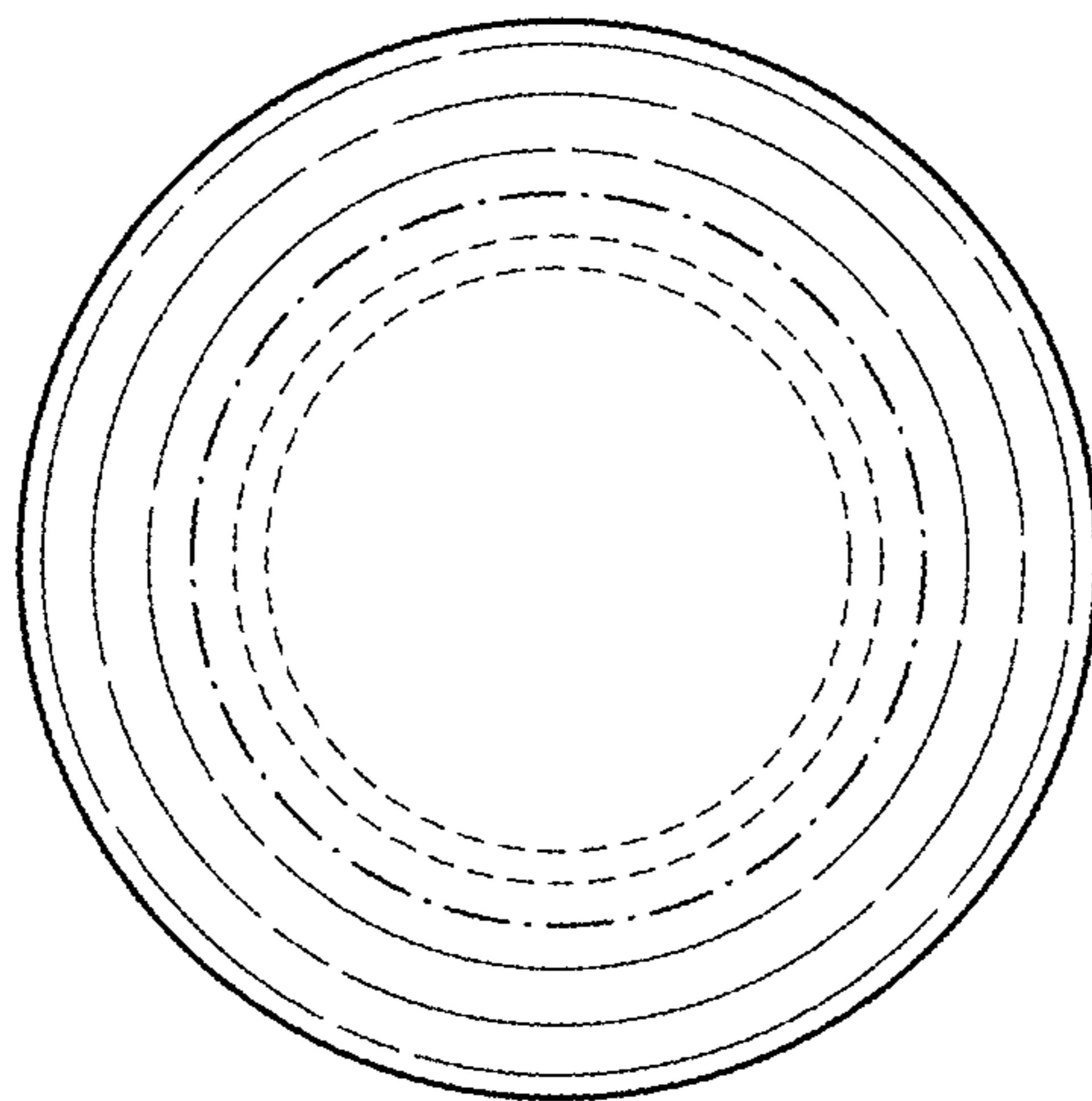


FIG. 7