



US00D913795S

(12) **United States Design Patent**  
**Massucco et al.**

(10) **Patent No.:** **US D913,795 S**

(45) **Date of Patent:** **\*\* \*Mar. 23, 2021**

(54) **BOTTLE**

(71) Applicant: **HYDRAPAK LLC**, Oakland, CA (US)

(72) Inventors: **Michael Massucco**, Oakland, CA (US);  
**Matt Lyon**, Moraga, CA (US); **Samuel Lopez**, San Francisco, CA (US)

(73) Assignee: **HYDRAPAK LLC**, Oakland, CA (US)

(\*) Notice: This patent is subject to a terminal disclaimer.

(\*\*) Term: **15 Years**

(21) Appl. No.: **29/706,111**

(22) Filed: **Sep. 18, 2019**

(51) **LOC (13) Cl.** ..... **09-01**

(52) **U.S. Cl.**  
USPC ..... **D9/539**; D7/509

(58) **Field of Classification Search**  
USPC ..... D9/553, 530, 539, 540, 523, 560, 563,  
D9/549, 738, 500, 501, 428, 429, 565,  
D9/575, 529, 531; D7/509, 510, 511,  
D7/523, 605, 608, 603; D24/121;  
D11/143

CPC ..... B65D 1/0223; B65D 79/005; B65D  
2501/0081; B65D 23/102; B65D  
2501/0036

See application file for complete search history.

(56) **References Cited**

**U.S. PATENT DOCUMENTS**

D204,711 S	5/1966	Plummer	
D350,672 S	9/1994	Egger et al.	
D427,909 S *	7/2000	Doritty	D9/500
D445,030 S *	7/2001	Croft	D9/438
D531,505 S	11/2006	Lohrman	
D566,468 S	4/2008	Sandy	
D605,517 S *	12/2009	Caldwell	D9/500

D626,414 S *	11/2010	Cresswell	D9/500
D629,689 S *	12/2010	Cresswell	D9/500
D629,690 S *	12/2010	Cresswell	D9/500
D633,794 S *	3/2011	Cresswell	D9/500
D633,795 S *	3/2011	Cresswell	D9/500
D633,796 S *	3/2011	Cresswell	D9/500
D649,402 S *	11/2011	Gilbert	D7/510
8,051,674 B2	11/2011	Roth et al.	
D651,853 S *	1/2012	Eyal	D7/510
D652,682 S *	1/2012	Eyal	D7/510
D658,944 S *	5/2012	Gilbert	D7/511

(Continued)

**OTHER PUBLICATIONS**

New HydraPak DualBot Water Bottle, available Sep. 10, 2009,[online], [site visited Jul. 10, 2020], Available from internet URL: <https://bikerumor.com/2009/09/10/new-hydrapak-dualbot-water-bottle/> (Year: 2009).\*

(Continued)

*Primary Examiner* — W. A. Teddy Falloway

*Assistant Examiner* — Rani J Abdallah

(74) *Attorney, Agent, or Firm* — Sheridan Ross P.C.

(57) **CLAIM**

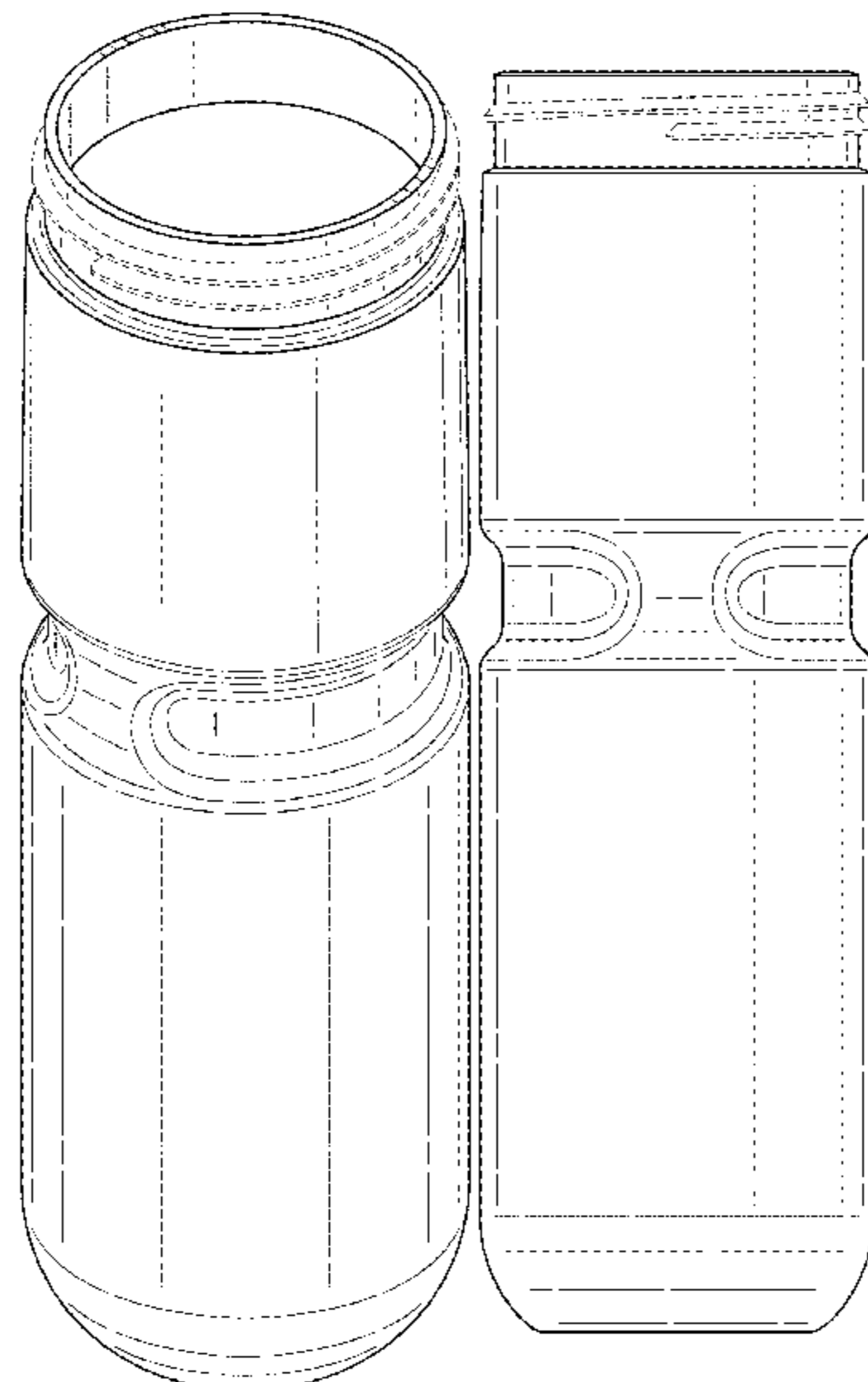
The ornamental design for a bottle, as shown and described.

**DESCRIPTION**

FIG. 1 is a perspective view of a bottle;  
FIG. 2 is a front plan view thereof;  
FIG. 3 is a back plan view thereof;  
FIG. 4 is a right side plan view thereof;  
FIG. 5 is a left side plan view thereof;  
FIG. 6 is a top plan view thereof; and,  
FIG. 7 is a bottom plan view.

The broken lines of FIG. 7 show portions of the bottle which form no part of the claimed design. The dash-dot-dash line(s) of FIG. 7 define the bounds of the claimed design and form no part thereof.

**1 Claim, 6 Drawing Sheets**



(56)

References Cited

U.S. PATENT DOCUMENTS

D669,737 S \* 10/2012 Nemeth ..... D7/532  
 D690,162 S \* 9/2013 Staton  
 D706,582 S \* 6/2014 Oas ..... D7/510  
 D714,154 S \* 9/2014 Keeler  
 D729,583 S \* 5/2015 Lapsker ..... D7/510  
 D729,584 S \* 5/2015 Weston ..... D7/510  
 D736,562 S \* 8/2015 Green et al.  
 D740,676 S \* 10/2015 Brown ..... D9/500  
 D746,634 S \* 1/2016 Lapsker ..... D7/532  
 D752,434 S \* 3/2016 Willows et al.  
 D758,132 S \* 6/2016 Breit  
 D760,027 S \* 6/2016 Meyers et al.  
 D761,624 S \* 7/2016 McLean ..... D7/510  
 D771,490 S \* 11/2016 Junkel  
 D774,351 S \* 12/2016 Breit et al.  
 D777,518 S \* 1/2017 Frazier et al.  
 D784,775 S \* 4/2017 Seiders ..... D7/608  
 D789,150 S \* 6/2017 Heiberger  
 D791,549 S \* 7/2017 Goodwin ..... D7/608  
 D792,742 S \* 7/2017 Meyers ..... D7/536  
 D793,810 S \* 8/2017 Frazier  
 D794,397 S \* 8/2017 Seiders ..... D7/608  
 D795,647 S \* 8/2017 Heiberger et al.  
 D798,664 S \* 10/2017 Kristinik ..... D7/509  
 D799,906 S \* 10/2017 Seiders ..... D7/608  
 D799,907 S \* 10/2017 Seiders ..... D7/608  
 D805,852 S \* 12/2017 Seiders ..... D7/608  
 D808,219 S \* 1/2018 Heiberger et al.  
 D810,510 S \* 2/2018 Serruya ..... D7/511  
 D822,489 S \* 7/2018 Bischoff ..... D9/500  
 D841,473 S \* 2/2019 Omdahl, II ..... D9/530  
 D841,474 S \* 2/2019 Omdahl, II ..... D9/530  
 D846,354 S \* 4/2019 Omdahl, II ..... D7/510  
 D860,800 S \* 9/2019 Hao ..... D9/540  
 D876,173 S \* 2/2020 Kotani ..... D7/608  
 D876,895 S \* 3/2020 McCready ..... D7/510  
 D879,559 S \* 3/2020 Lowette ..... D7/531  
 D883,041 S \* 5/2020 Park ..... D7/608  
 D885,923 S \* 6/2020 Omdahl, II ..... D9/530  
 D888,578 S \* 6/2020 Chupak ..... D9/776  
 2002/0039609 A1 \* 4/2002 Bezek ..... B65D 1/165  
 426/106  
 2005/0023237 A1 2/2005 Inestroza  
 2006/0157490 A1 7/2006 Lipson  
 2008/0047924 A1 \* 2/2008 Coats ..... B65D 25/465  
 215/389

2010/0288758 A1 11/2010 Blain  
 2012/0193316 A1 8/2012 Starks  
 2016/0316896 A1 11/2016 Breit et al.  
 2017/0305640 A1 \* 10/2017 Thompson ..... B65D 23/0878

OTHER PUBLICATIONS

Sports Squeeze Water Bottles, available Dec. 2, 2018, [online], [site visited Jul. 10, 2020], Available from internet URL: [https://www.amazon.com/50-Strong-Sports-Squeeze-Bottles/dp/B079ZZYV4L?ref=ast\\_sto\\_dp&th=1#customerReviews](https://www.amazon.com/50-Strong-Sports-Squeeze-Bottles/dp/B079ZZYV4L?ref=ast_sto_dp&th=1#customerReviews) (Year: 2018).\*

Via Velo Bicycle Reflective Insulated Water Bottle, available Sep. 6, 2019 [online], [site visited Jul. 10, 2020], Available from internet URL: [https://www.amazon.com/Via-Velo-Reflective-Insulated-Activities/dp/B0723GS7NJ/ref=cm\\_cr\\_arp\\_d\\_product\\_top?ie=UTF8](https://www.amazon.com/Via-Velo-Reflective-Insulated-Activities/dp/B0723GS7NJ/ref=cm_cr_arp_d_product_top?ie=UTF8) (Year: 2019).\*

Elite Super Corsa, available Mar. 24, 2019 [online], [visited 7/10/20], URL: [https://www.amazon.com/Elite-0091754-Super-Corsa-Bottle/dp/B00G8QHXOG/ref=as\\_li\\_ss\\_tl?ie=UTF8&qid=1503214268&sr=8-1-fkmr0&keywords=Elite+SuperCorsa+Teann+750ml+Water+Bottle&linkCode=sl1&tag=bestcyclingwaterbottlesys05-20&link](https://www.amazon.com/Elite-0091754-Super-Corsa-Bottle/dp/B00G8QHXOG/ref=as_li_ss_tl?ie=UTF8&qid=1503214268&sr=8-1-fkmr0&keywords=Elite+SuperCorsa+Teann+750ml+Water+Bottle&linkCode=sl1&tag=bestcyclingwaterbottlesys05-20&link) (Year: 2020).\*

U.S. Appl. No. 29/583,577, filed Nov. 7, 2016, now issued as U.S. Pat. No. D. 808,219.

U.S. Appl. No. 29/706,166, filed Sep. 18, 2019.

U.S. Appl. No. 29/706,173, filed Sep. 18, 2019.

U.S. Appl. No. 29/106,182, filed Sep. 18, 2019.

U.S. Appl. No. 29/706,166, filed Sep. 18, 2019, Massucco et al.

U.S. Appl. No. 29/706,173, filed Sep. 18, 2019, Massucco et al.

U.S. Appl. No. 29/706,182, filed Sep. 18, 2019, Massucco et al.

“Polar bottle-Insulated Sport Bottle” Brochure, Product Architects, Inc., 2011, 1 page.

“Polar Bottle-Spring 2012” Brochure, Product Architects, Inc., 2012, 5 pages.

Notice of Allowance (with English translation) for Chinese Patent Application No. 201730159894.3, dated Aug. 7, 2017, 5 pages.

Notice of Allowance for U.S. Appl. No. 29/583,577, dated Sep. 26, 2017, 9 pages.

Notice of Allowance (with English translation) for Chinese Patent Application No. 202030081340.1, dated Jun. 8, 2020, 3 pages.

Official Action for U.S. Appl. No. 29/706,166, dated Jul. 21, 2020, 12 pages.

\* cited by examiner

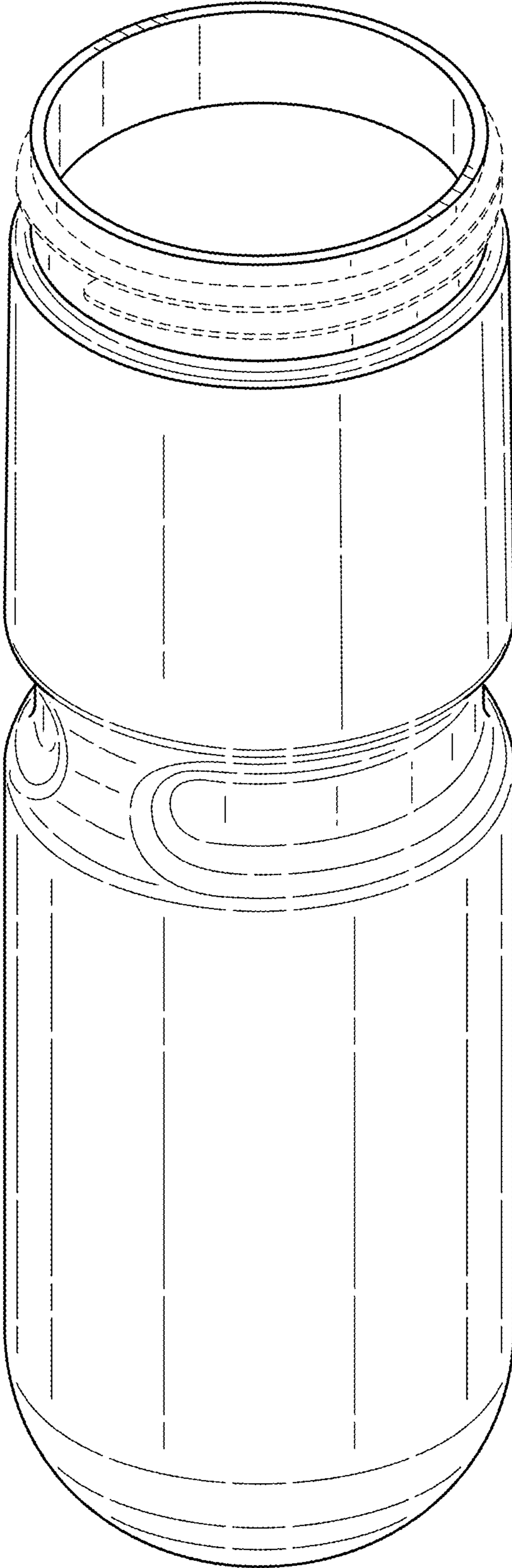


FIG.1

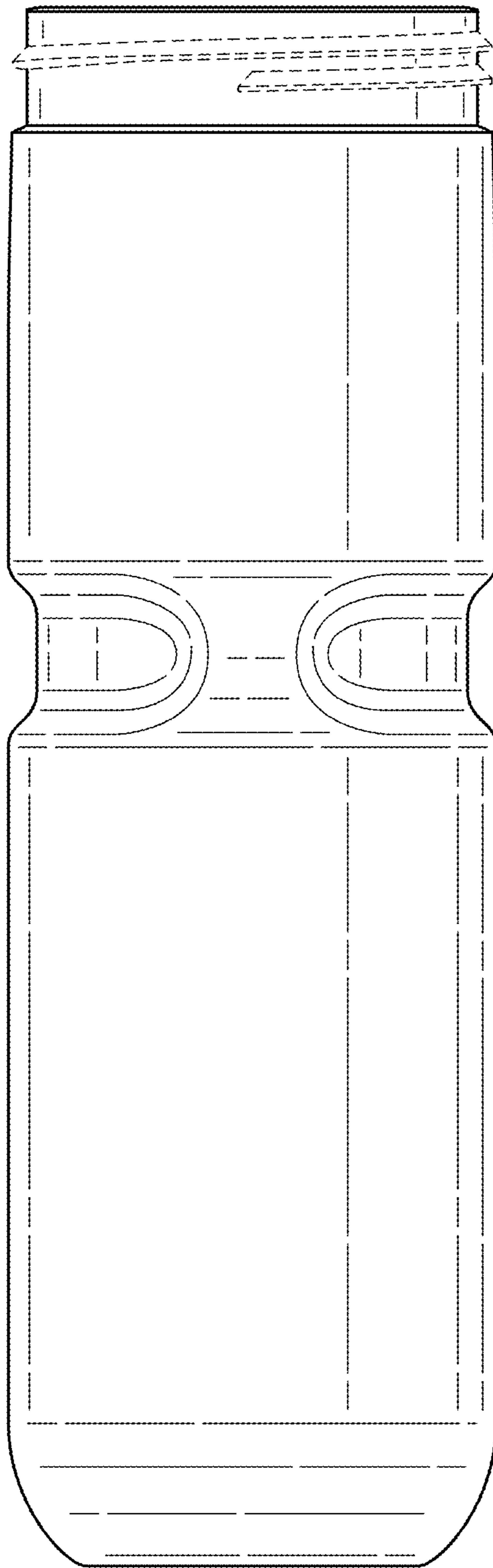


FIG.2

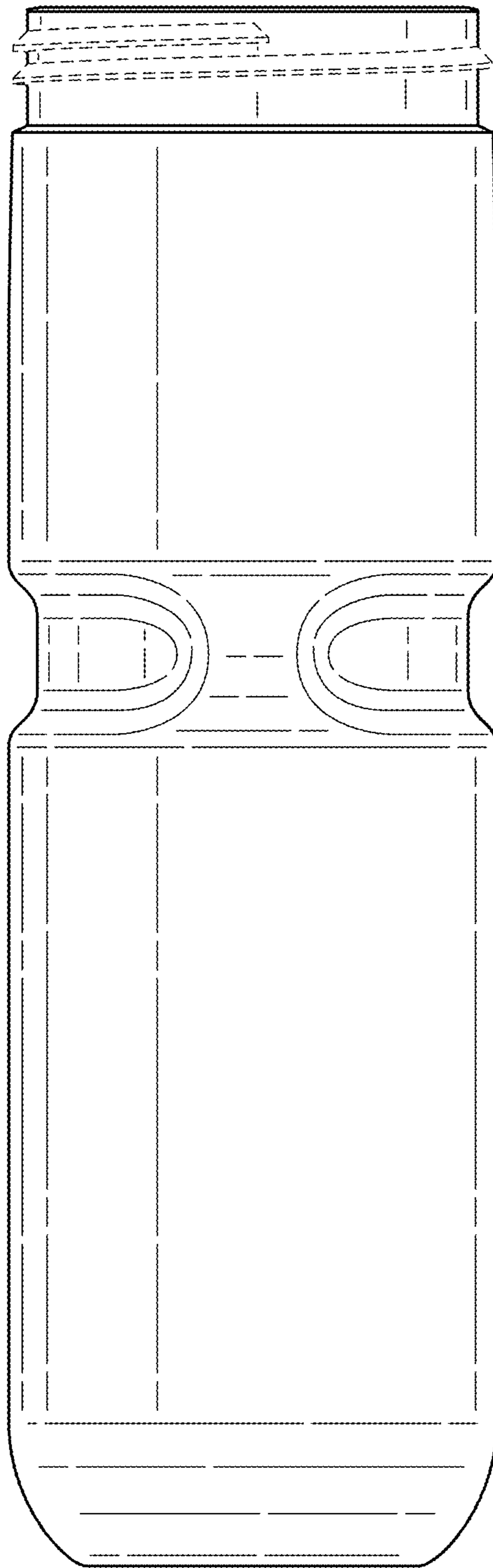


FIG.3

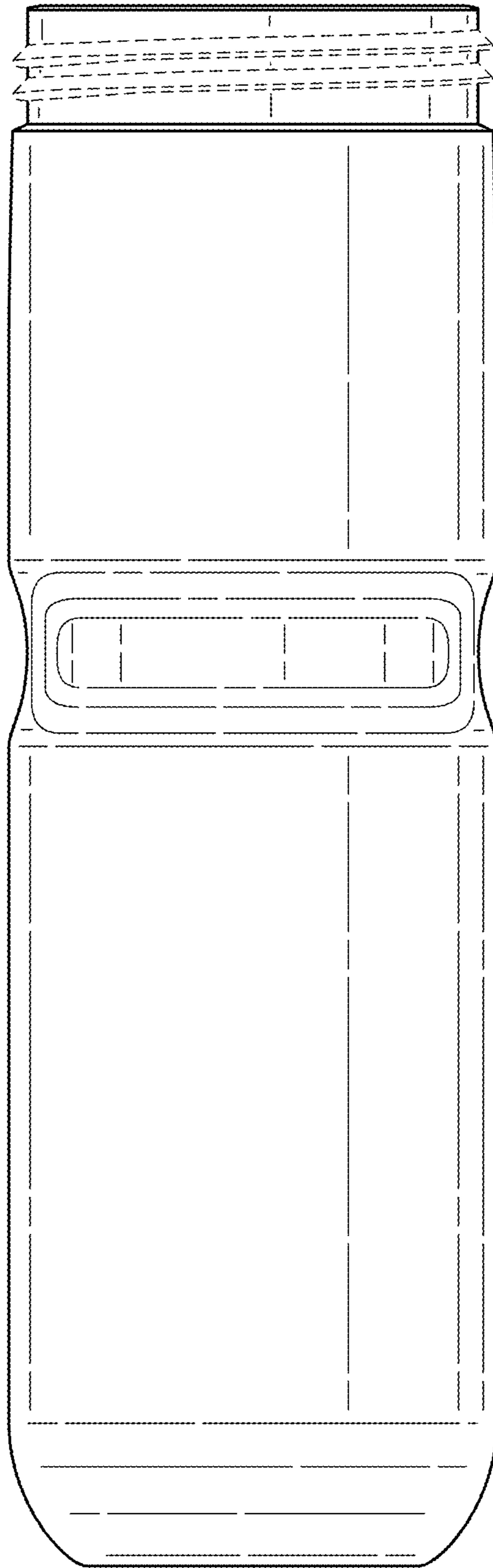


FIG.4

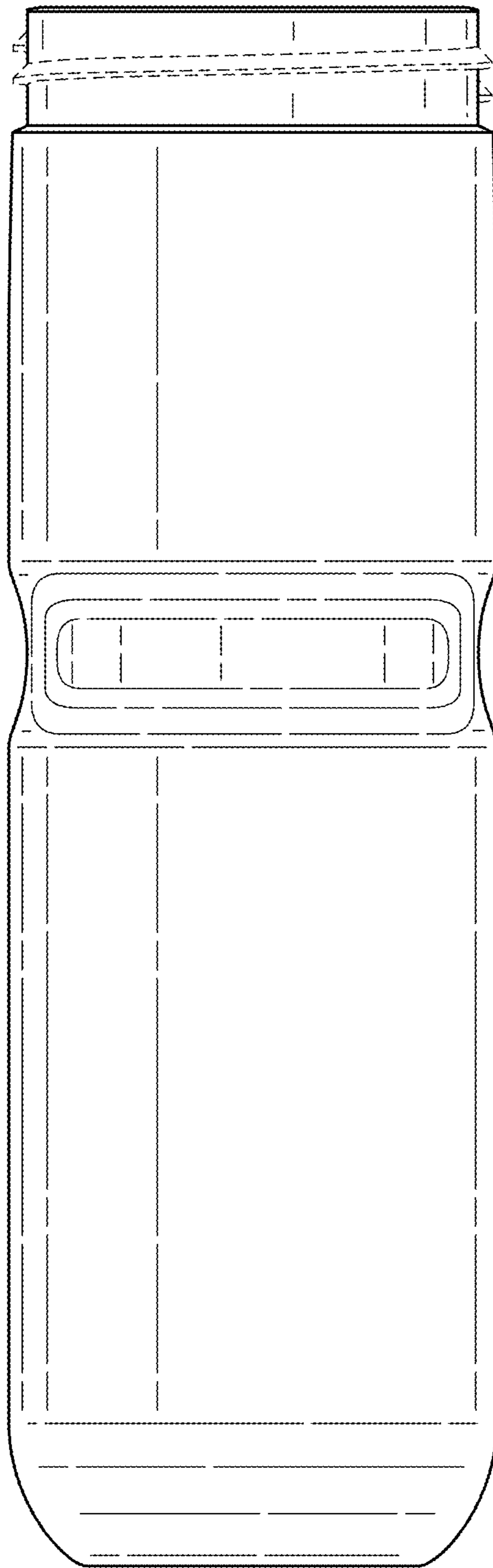


FIG.5

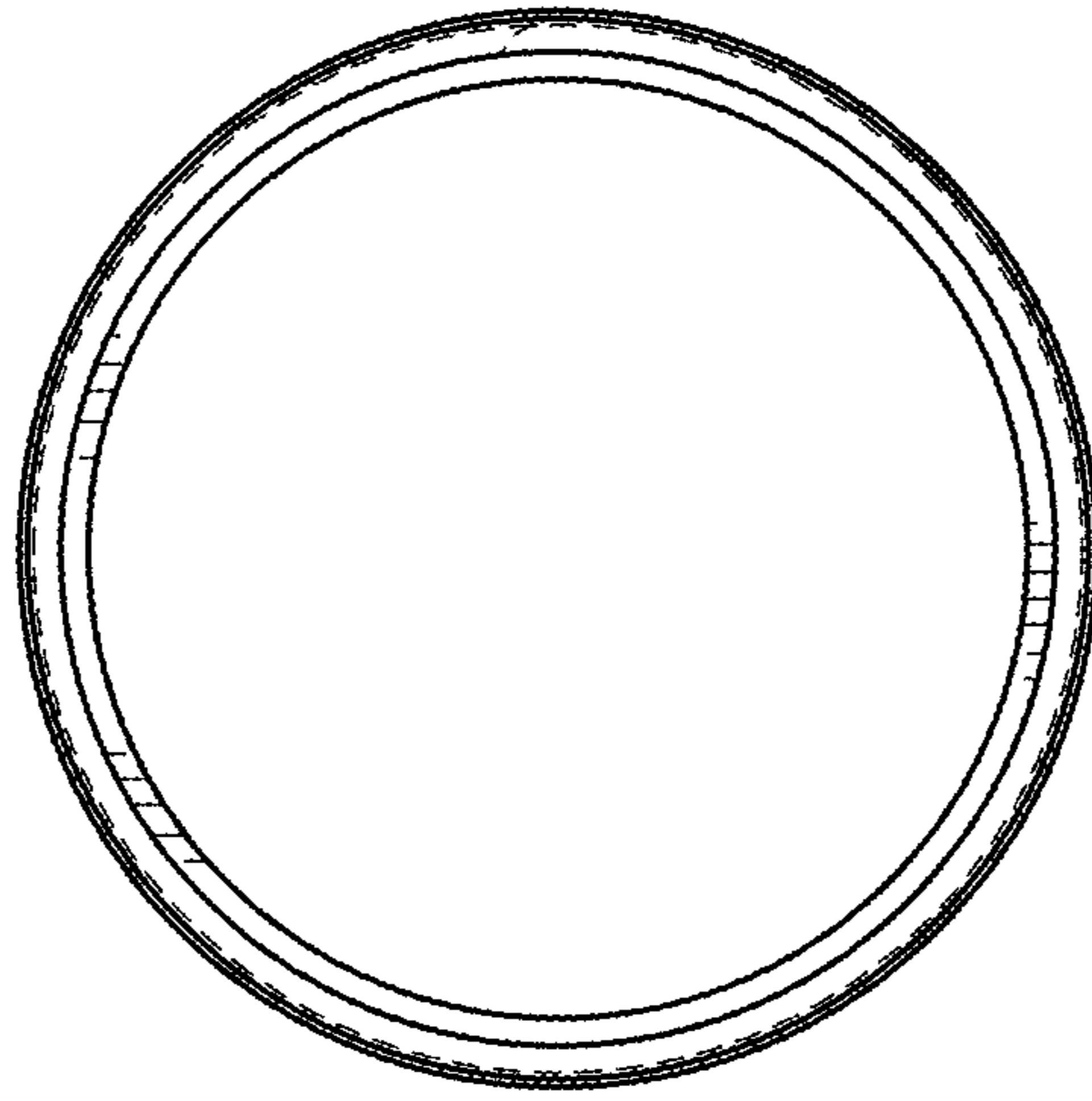


FIG. 6

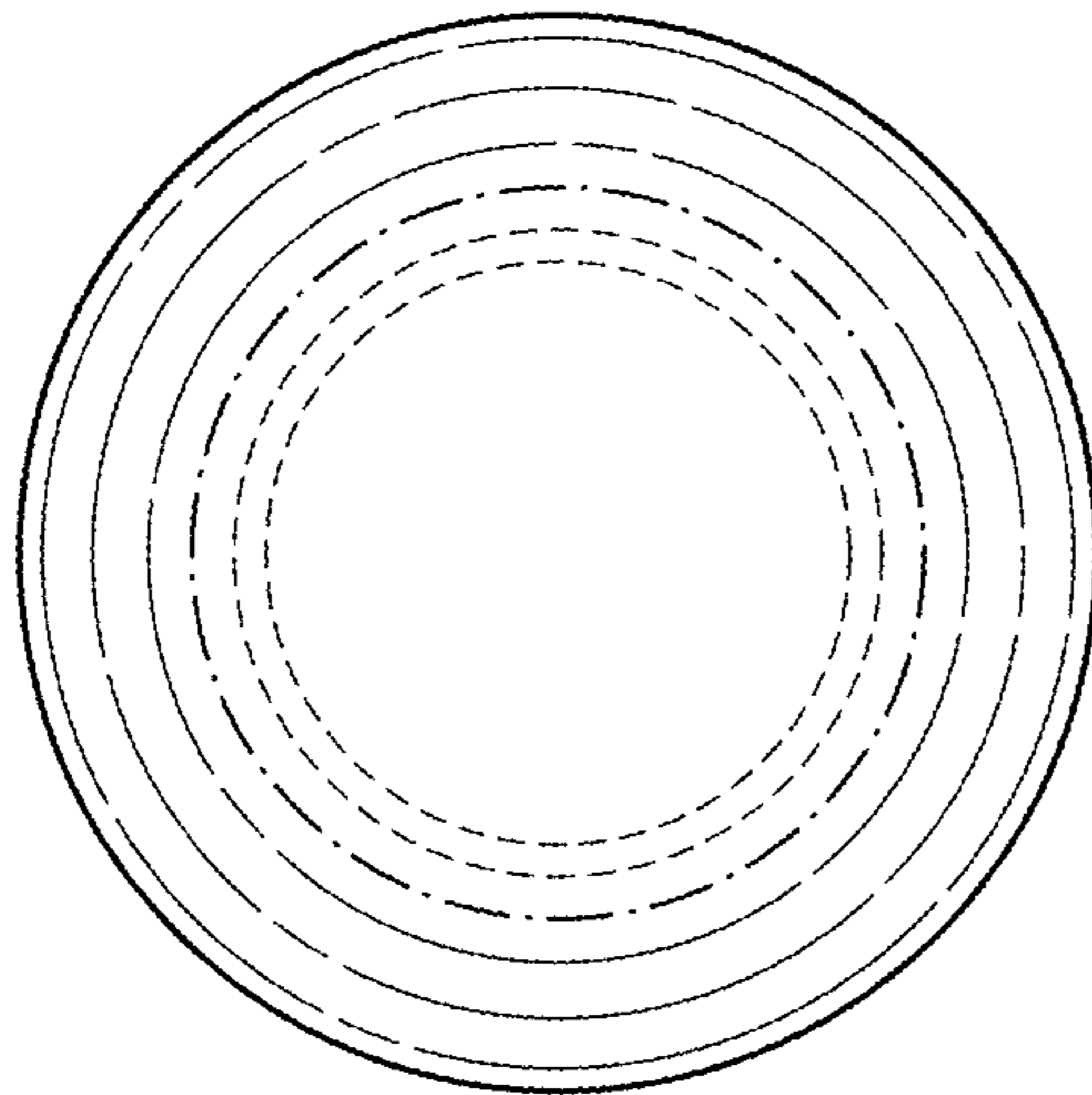


FIG. 7