



US00D913793S

(12) **United States Design Patent** (10) **Patent No.:** **US D913,793 S**  
**Mendenhall, Jr. et al.** (45) **Date of Patent:** **\*\* Mar. 23, 2021**

(54) **BOTTLE WITH BRANCH DESIGN**  
(71) Applicant: **Golding Farms Foods, Inc.**,  
Winston-Salem, NC (US)  
(72) Inventors: **Jimmy Landon Mendenhall, Jr.**,  
Winston Salem, NC (US); **David**  
**Edward Conrad**, Clemmons, NC (US);  
**Jeffrey Gallow**, Kernersville, NC (US)

D160,355 S \* 10/1950 Yutzet ..... D7/526  
D160,452 S \* 10/1950 Yutzet ..... D7/525  
D365,752 S \* 1/1996 Flanagan-Boos ..... D9/542  
D405,357 S \* 2/1999 Sell ..... D9/545  
D427,519 S \* 7/2000 Bracone ..... D9/574  
D547,670 S \* 7/2007 Heisner ..... D9/516  
D611,347 S \* 3/2010 Dodge ..... D9/516  
D611,820 S \* 3/2010 Dodge ..... D9/516  
D624,818 S \* 10/2010 Lepoitevin ..... D9/434  
D748,490 S \* 2/2016 Allan ..... D9/574  
D790,981 S \* 7/2017 Collier ..... D9/574

(73) Assignee: **Golding Farms Foods, Inc.**,  
Winston-Salem, NC (US)

**FOREIGN PATENT DOCUMENTS**

(\*\*) Term: **15 Years**

CN 302915151 \* 8/2014  
CN 303057426 \* 12/2014

(21) Appl. No.: **29/700,934**

\* cited by examiner

(22) Filed: **Aug. 7, 2019**

*Primary Examiner* — Brett Miller

(51) **LOC (13) Cl.** ..... **09-01**

*Assistant Examiner* — Rani J Abdallah

(52) **U.S. Cl.**  
USPC ..... **D9/516; D9/574; D9/655; D7/525;**  
D7/521

(74) *Attorney, Agent, or Firm* — Bryan Cave Leighton  
Paisner LLP

(58) **Field of Classification Search**  
USPC ..... D9/500, 516, 521, 530, 536, 542, 544,  
D9/549, 550, 556, 558, 559, 562, 563,  
D9/565, 572, 573, 574, 575, 552, 560,  
D9/571, 434, 545, 655–664; D4/114;  
D7/590, 525, 526, 518, 521; D11/63, 64,  
D11/84, 106, 117, 118, 120, 139, 151,  
D11/154  
CPC ..... B65D 1/0223; B65D 23/102; B65D  
2501/0081; B65D 2501/0036; B65D  
79/005; B65D 1/44; C08L 33/08; A61J  
1/03; A61J 1/00  
See application file for complete search history.

(57) **CLAIM**

The ornamental design for a bottle with branch design, as shown and described.

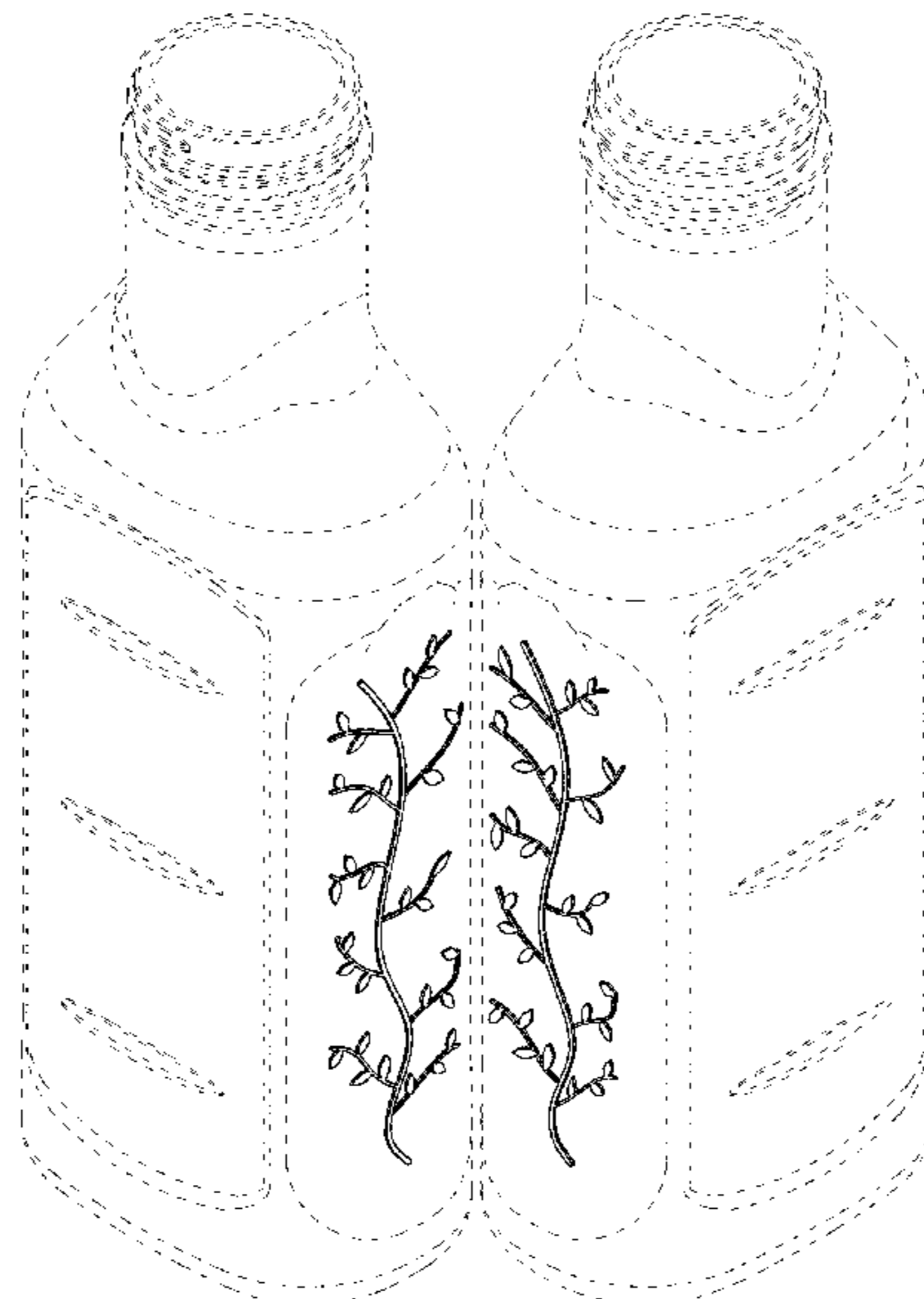
**DESCRIPTION**

FIG. 1 is a front, top perspective view of the bottle with branch design;  
FIG. 2 is a rear, top perspective view thereof;  
FIG. 3 is a front view thereof;  
FIG. 4 is a rear view thereof;  
FIG. 5 is a side view thereof;  
FIG. 6 is an opposite view thereof;  
FIG. 7 is a top view thereof;  
FIG. 8 is a bottom view thereof; and,  
FIG. 9 is a bottom perspective view thereof.  
The broken lines shown illustrate portions of the bottle with branch design that form no part of the claimed design.

(56) **References Cited**  
U.S. PATENT DOCUMENTS

D160,353 S \* 10/1950 Yutzet ..... D7/525  
D160,354 S \* 10/1950 Yutzet ..... D7/525

**1 Claim, 7 Drawing Sheets**



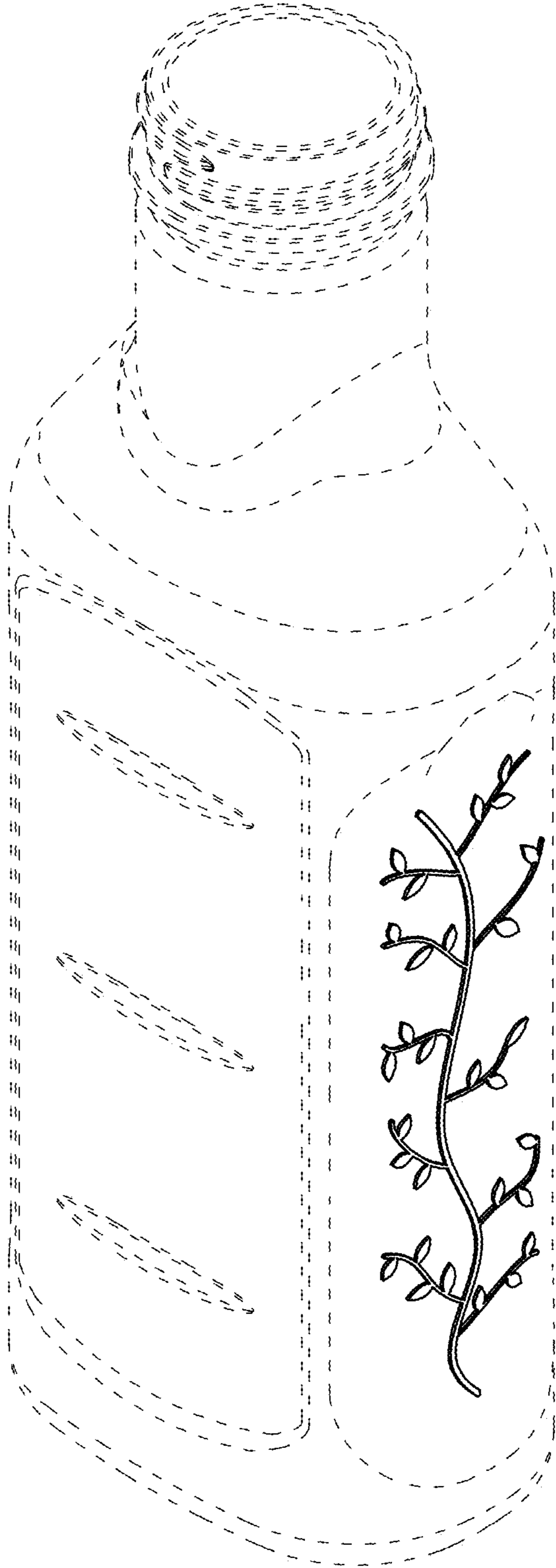


FIG. 1

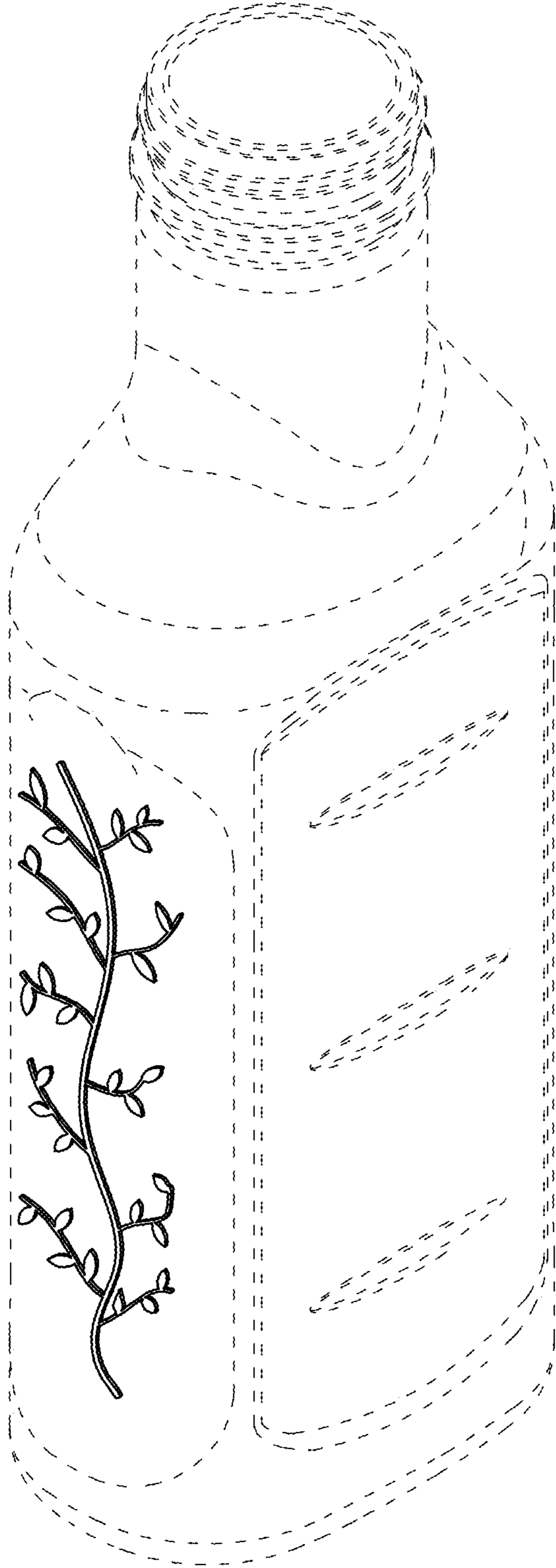


FIG. 2

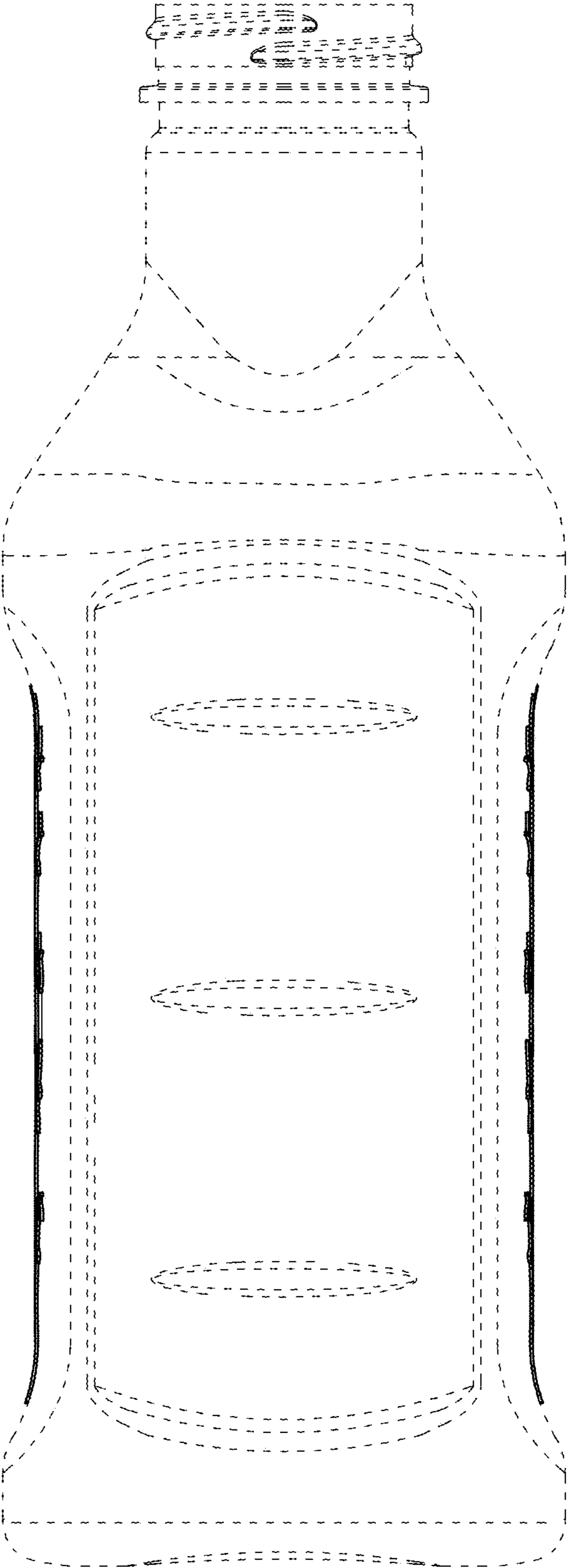


FIG. 3

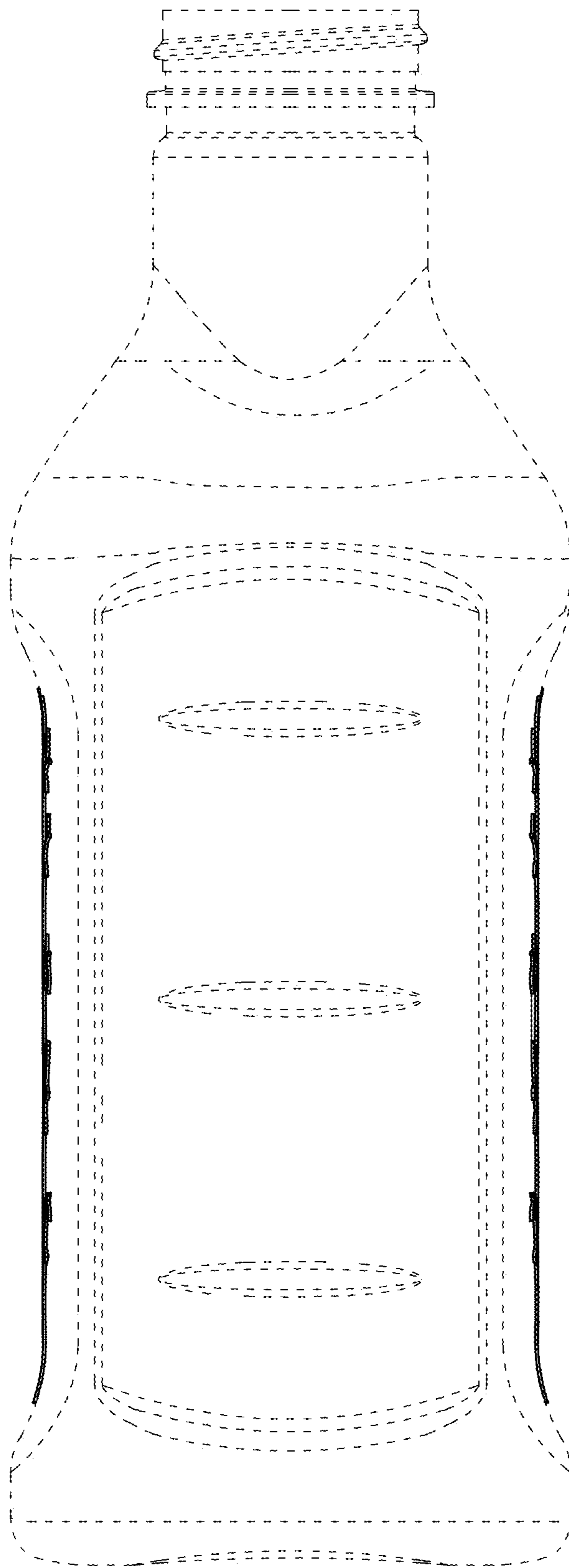


FIG. 4

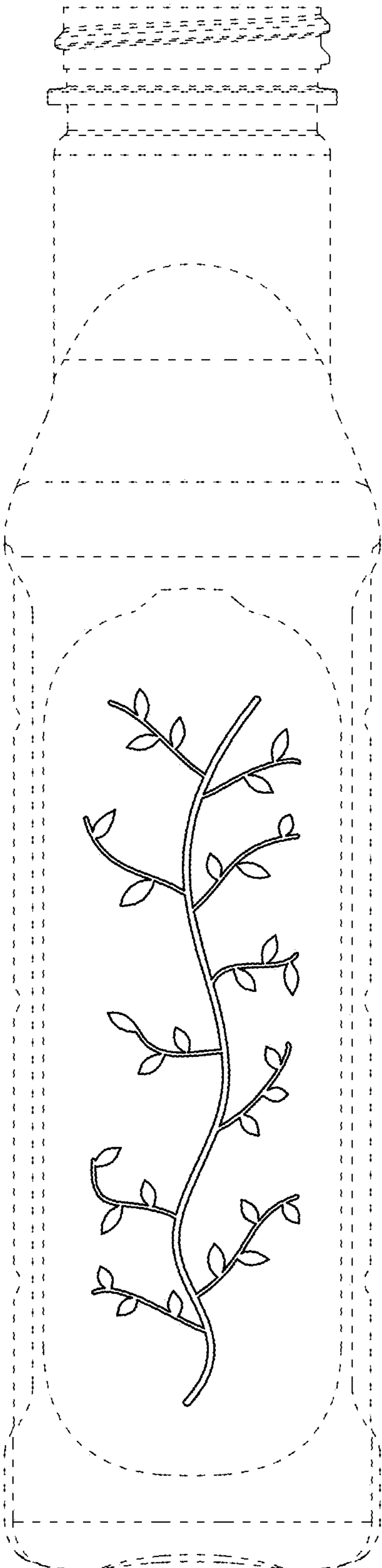


FIG. 5

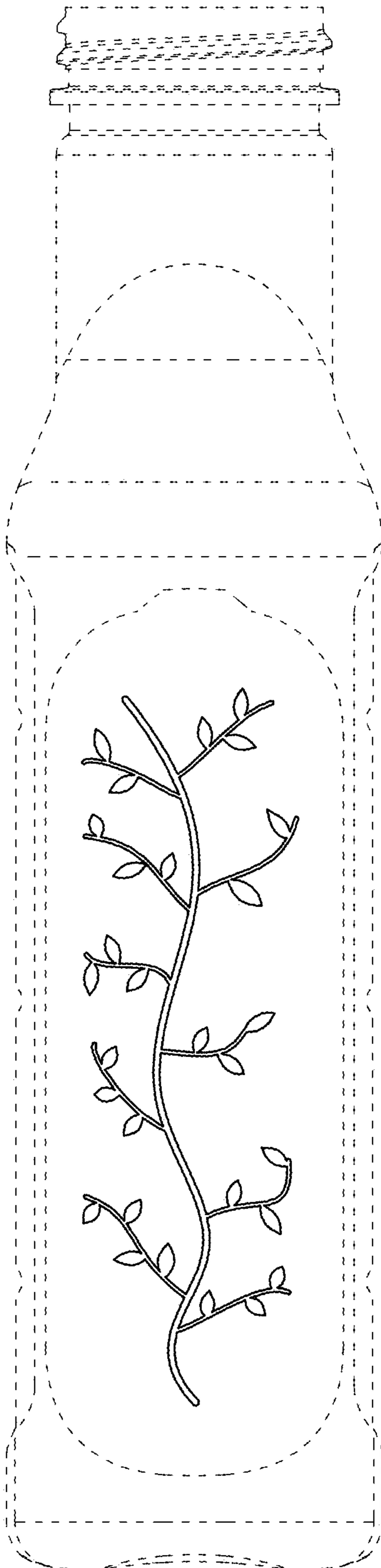


FIG. 6

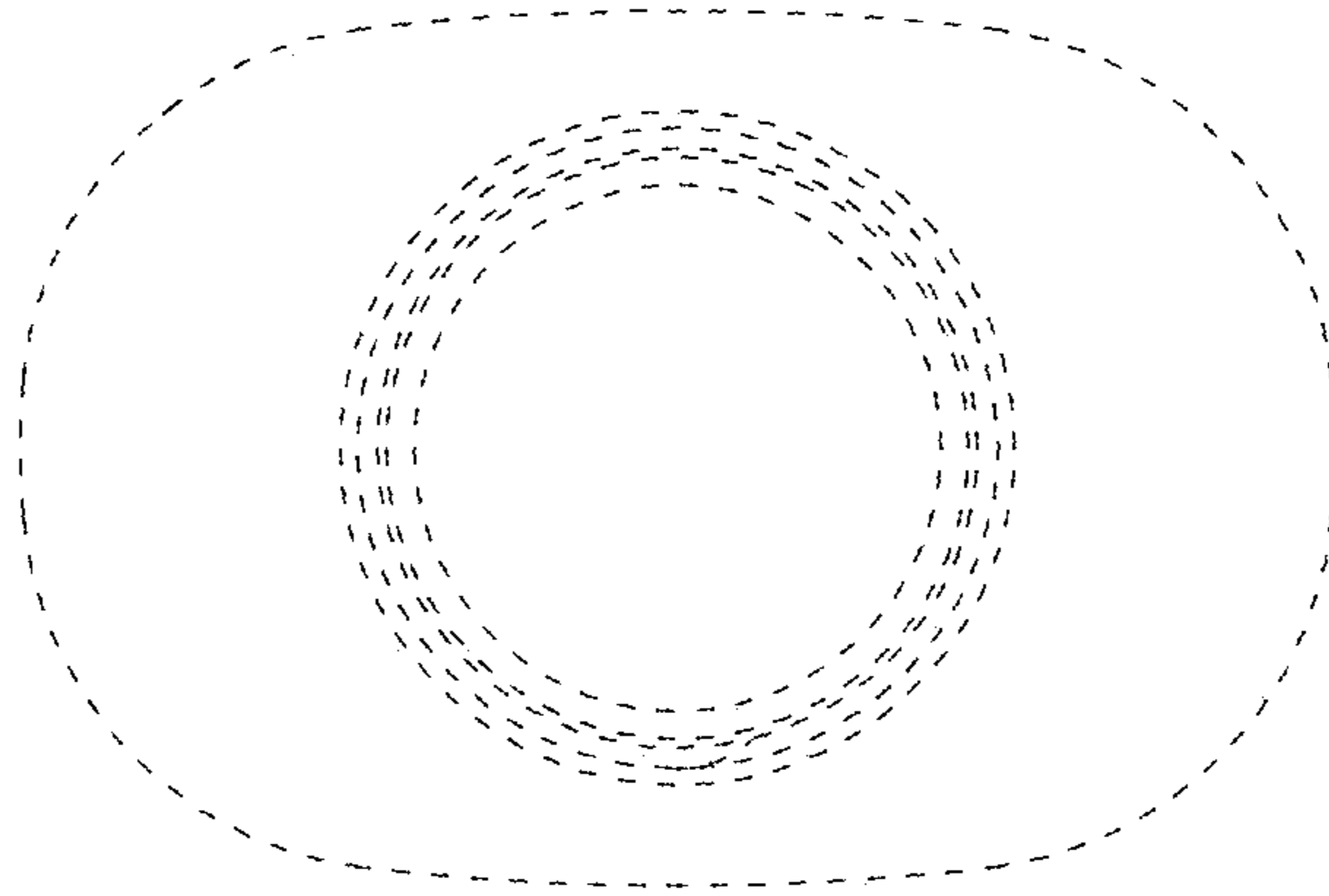


FIG. 7

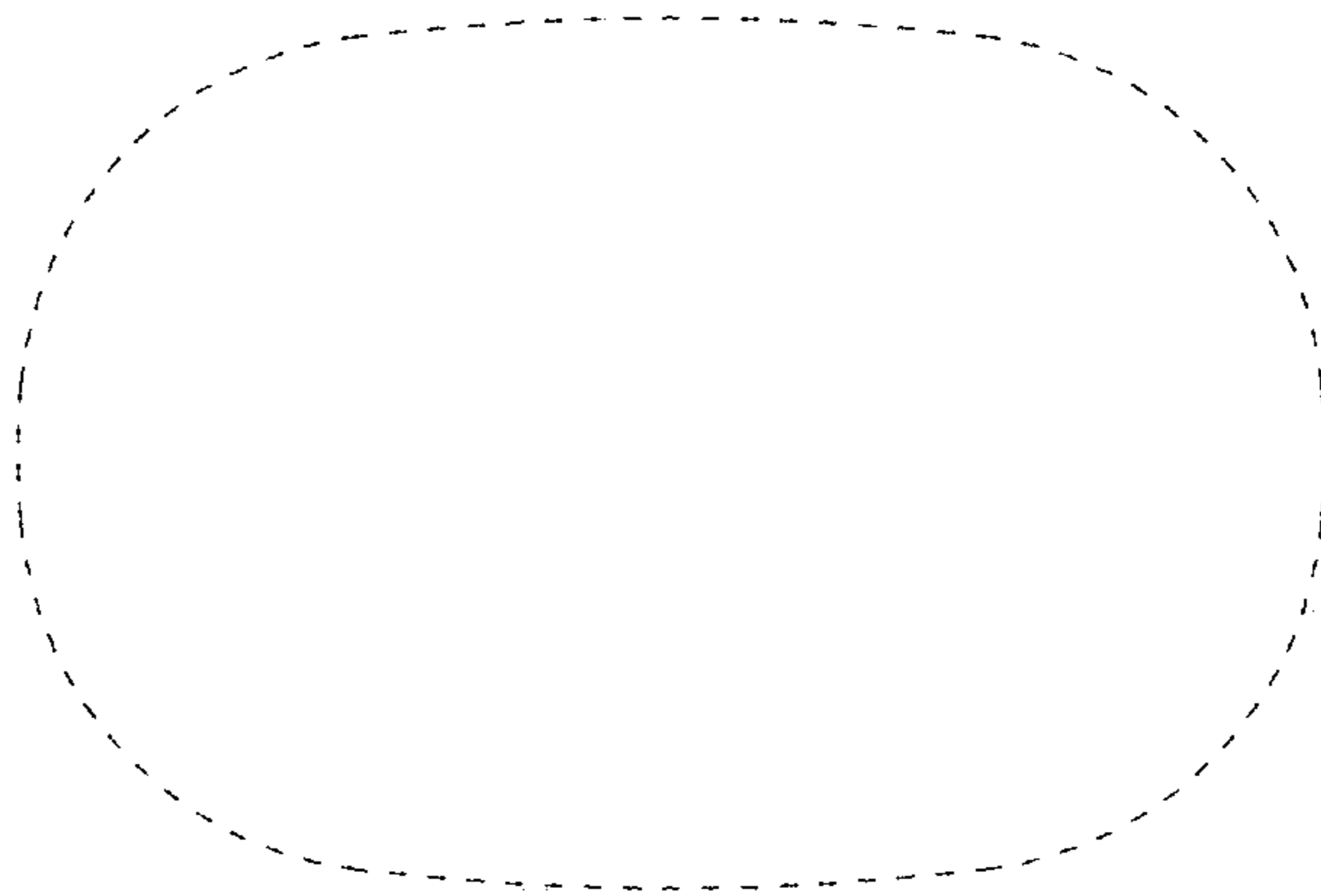


FIG. 8

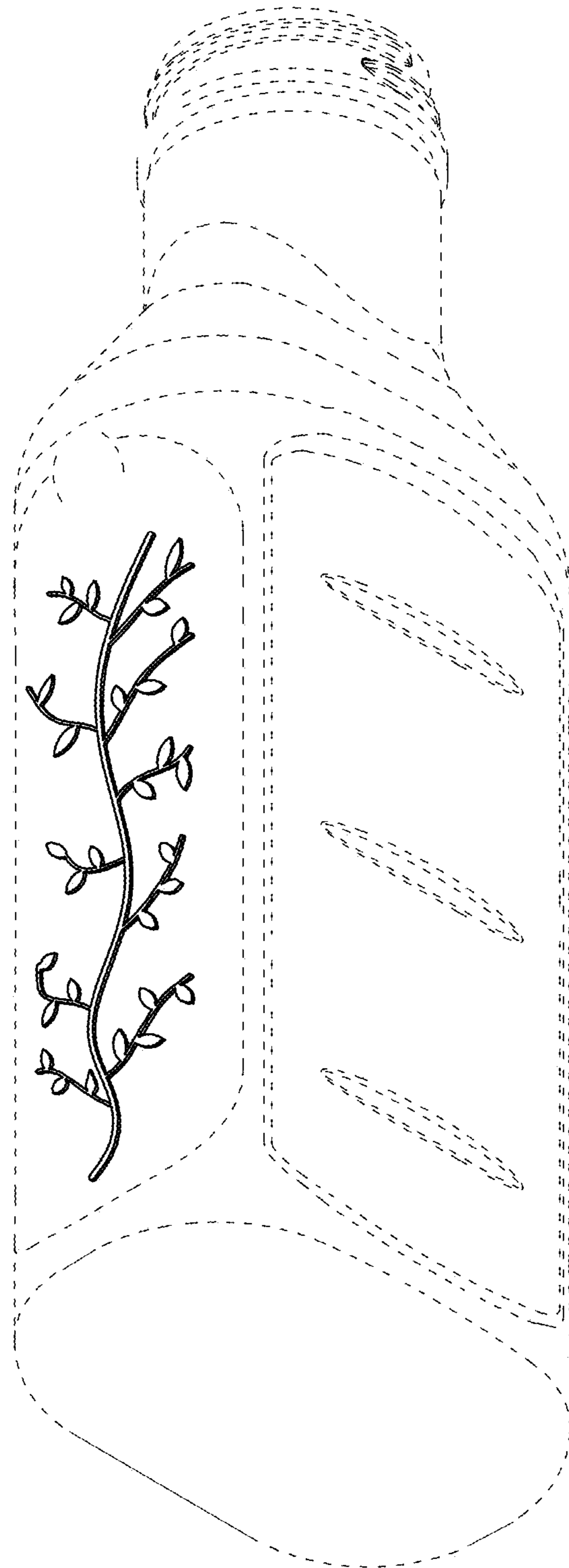


FIG. 9