



US00D913792S

(12) **United States Design Patent**
Bookelmann et al.

(10) **Patent No.:** **US D913,792 S**
(45) **Date of Patent:** **** Mar. 23, 2021**

(54) **CONTAINER**

FOREIGN PATENT DOCUMENTS

(71) Applicant: **Conopco, Inc.**, Englewood Cliffs, NJ
(US)

EP 2660165 11/2013
FR 2476607 8/1981

(Continued)

(72) Inventors: **Matthijs Lucas Bookelmann**, Ede
(NL); **Sebastiaan Wilhelmus Josephus**
Den Boer, Twello (NL); **Andreas**
Christian Meyer, Hamburg (DE);
Willem Ramon, Woerden (NL); **Mark**
Van Rijswijk, Berg en Dal (NL)

OTHER PUBLICATIONS

Search Report and Written Opinion in EP19176501; dated Dec. 5,
2019.

(Continued)

(73) Assignee: **Conopco, Inc.**, Englewood Cliffs, NJ
(US)

Primary Examiner — Cathron C Brooks

Assistant Examiner — Sharon S Oum

(**) Term: **15 Years**

(74) *Attorney, Agent, or Firm* — Greenberg Traurig, LLP

(21) Appl. No.: **29/683,968**

(57) **CLAIM**

(22) Filed: **Mar. 18, 2019**

The ornamental design for a container, as shown and
described.

(30) **Foreign Application Priority Data**

DESCRIPTION

Sep. 19, 2018 (EM) 005649563-0001
Sep. 19, 2018 (EM) 005649563-0002

(51) **LOC (13) Cl.** **09-07**

(52) **U.S. Cl.**
USPC **D9/504; D9/575**

(58) **Field of Classification Search**
USPC D9/500–505, 516, 520, 529, 537,
D9/543–545, 549, 558, 575, 435,
(Continued)

FIG. 1 is a front perspective view of a container showing our
new design;
FIG. 2 is a front elevation view thereof;
FIG. 3 is a rear elevation view thereof;
FIG. 4 is a right side elevation view thereof;
FIG. 5 is a left side elevation view thereof;
FIG. 6 is a top plan view thereof;
FIG. 7 is a bottom plan view thereof;
FIG. 8 is a front perspective view of the container body of
FIG. 1 shown separately for completeness of illustration;
FIG. 9 is a front elevation view thereof;
FIG. 10 is a rear elevation view thereof;
FIG. 11 is a right side elevation view thereof;
FIG. 12 is a left side elevation view thereof;
FIG. 13 is a top plan view thereof; and,
FIG. 14 is a bottom plan view thereof.

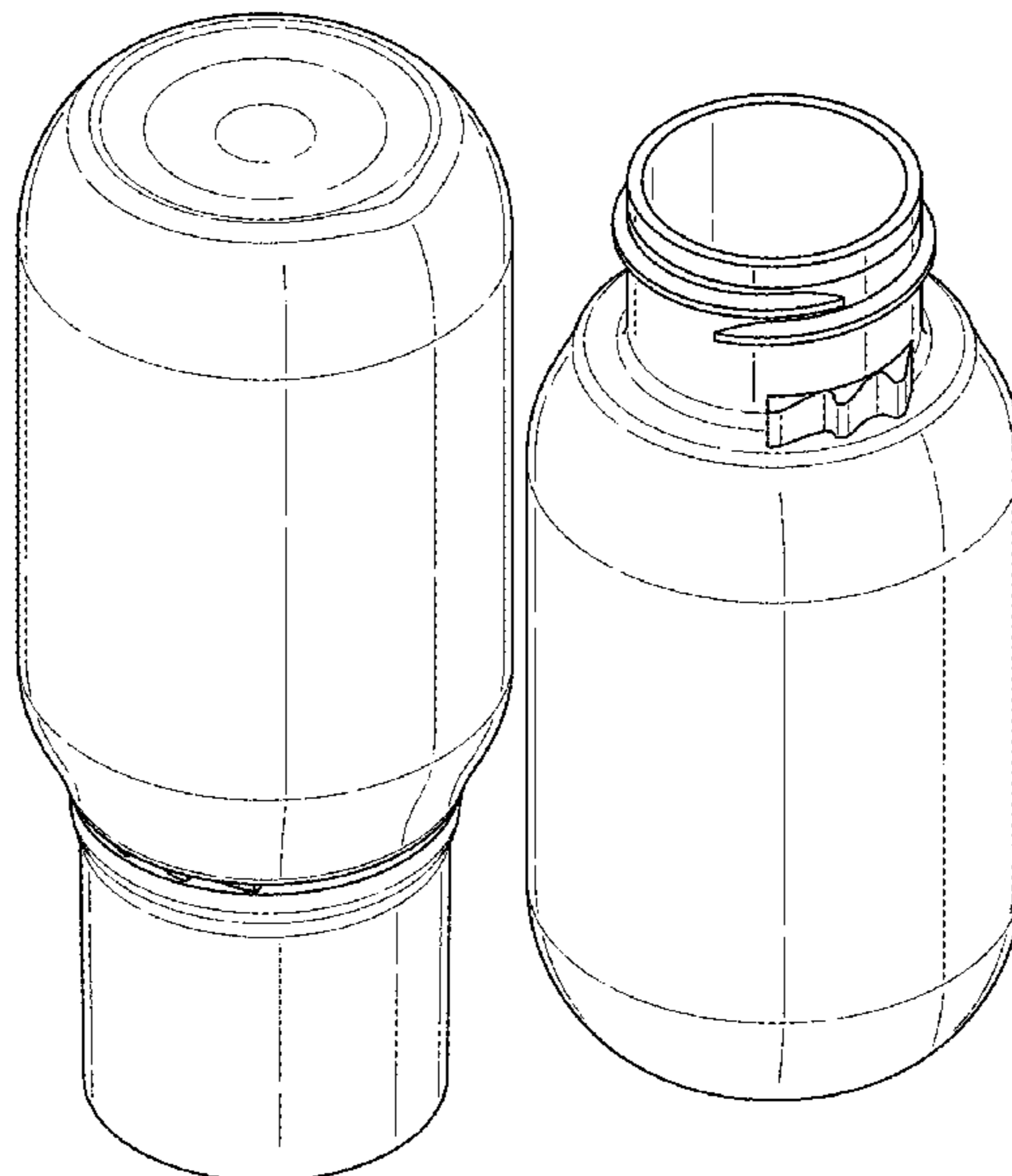
(56) **References Cited**

U.S. PATENT DOCUMENTS

3,134,494 A * 5/1964 Quinn A61J 11/002
215/11.3
3,426,931 A * 2/1969 Jensen B65D 50/04
215/218

(Continued)

1 Claim, 8 Drawing Sheets



(58) **Field of Classification Search**

USPC D9/444-445; D24/121, 197;
 D7/601-602; D3/203.2
 CPC B65D 50/045; B65D 50/046; B65D 1/00;
 B65D 1/02; B65D 1/0207; B65D 1/0223;
 B65D 21/0209; B65D 21/0213; B65D
 2501/00; B65D 2501/0009

See application file for complete search history.

8,365,933 B2* 2/2013 Jackel B65D 47/0838
 215/318
 D702,092 S * 4/2014 Mettler D7/608
 D705,288 S * 5/2014 Zimmerman D15/150
 D790,624 S * 6/2017 Matsushita D18/56
 D829,557 S * 10/2018 Shmagin D9/500
 D836,404 S * 12/2018 Spivey D7/608
 D849,542 S * 5/2019 Harris D9/500
 2017/0043918 A1* 2/2017 Guo B65D 1/023

(56)

References Cited

U.S. PATENT DOCUMENTS

D240,968 S * 8/1976 Hurst D24/197
 4,144,983 A * 3/1979 Pauls B05B 11/0008
 215/216
 D319,841 S * 9/1991 Fukuda D18/43
 5,413,233 A * 5/1995 Hall B65D 50/046
 215/209
 6,076,689 A * 6/2000 Vassallo B65D 41/04
 215/209
 D427,528 S 7/2000 Krueger
 D467,805 S * 12/2002 Restrepo D9/500
 D478,005 S * 8/2003 Sali D9/435
 D498,423 S * 11/2004 Kostow D9/558
 D537,353 S 2/2007 Bailey et al.
 7,210,508 B2 5/2007 Behar
 D547,443 S * 7/2007 Sudo B01L 3/50825
 D24/121
 D555,498 S * 11/2007 Bansal D9/558
 7,621,413 B2 * 11/2009 Miota B65B 7/285
 215/329
 D606,661 S * 12/2009 Colombo D24/197
 7,632,457 B2 * 12/2009 Calvert A61J 9/00
 134/105
 D622,145 S * 8/2010 Walsh D9/500
 D623,481 S * 9/2010 Moran D7/608
 7,861,873 B1 * 1/2011 Bragg B65D 50/046
 215/237

FOREIGN PATENT DOCUMENTS

FR 2867761 9/2005
 GB 2327409 1/1999
 JP 2004099082 4/2004
 JP 2011016588 1/2011
 JP 2012158361 8/2012
 JP 2014129141 7/2014
 WO WO2007145773 12/2007
 WO WO2010100892 9/2010
 WO WO2012160117 11/2012

OTHER PUBLICATIONS

Search Report and Written Opinion in EP19176490; dated Dec. 5, 2019.
 Search Report and Written Opinion in EP19176498; dated Dec. 5, 2019.
 Search Report and Written Opinion in EP19176495; dated Jan. 16, 2020.
 Search Report and Written Opinion in PCTEP2020064243; dated Jul. 24, 2020.
 Search Report and Written Opinion in PCTEP2020064246; dated Jul. 24, 2020.
 Search Report and Written Opinion in PCTEP2020064244; dated Jul. 24, 2020.

* cited by examiner

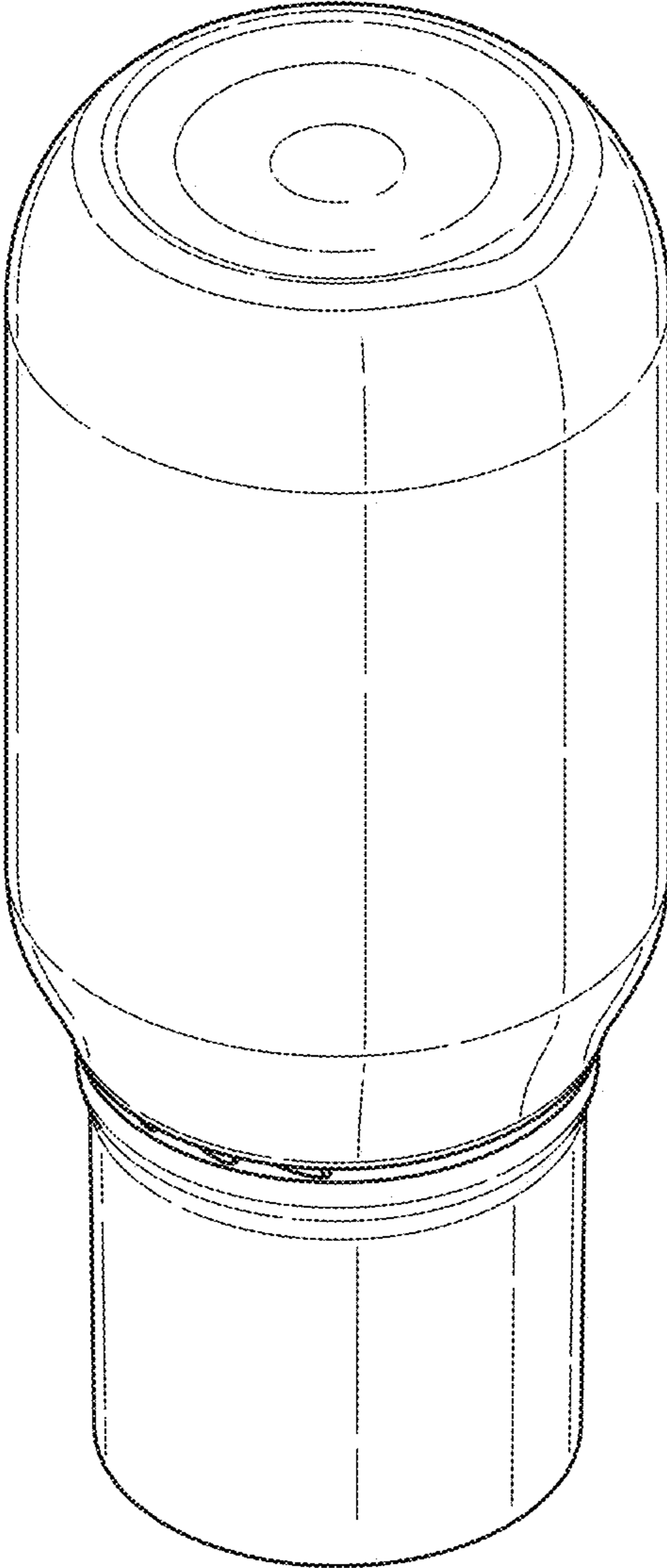


Fig. 1

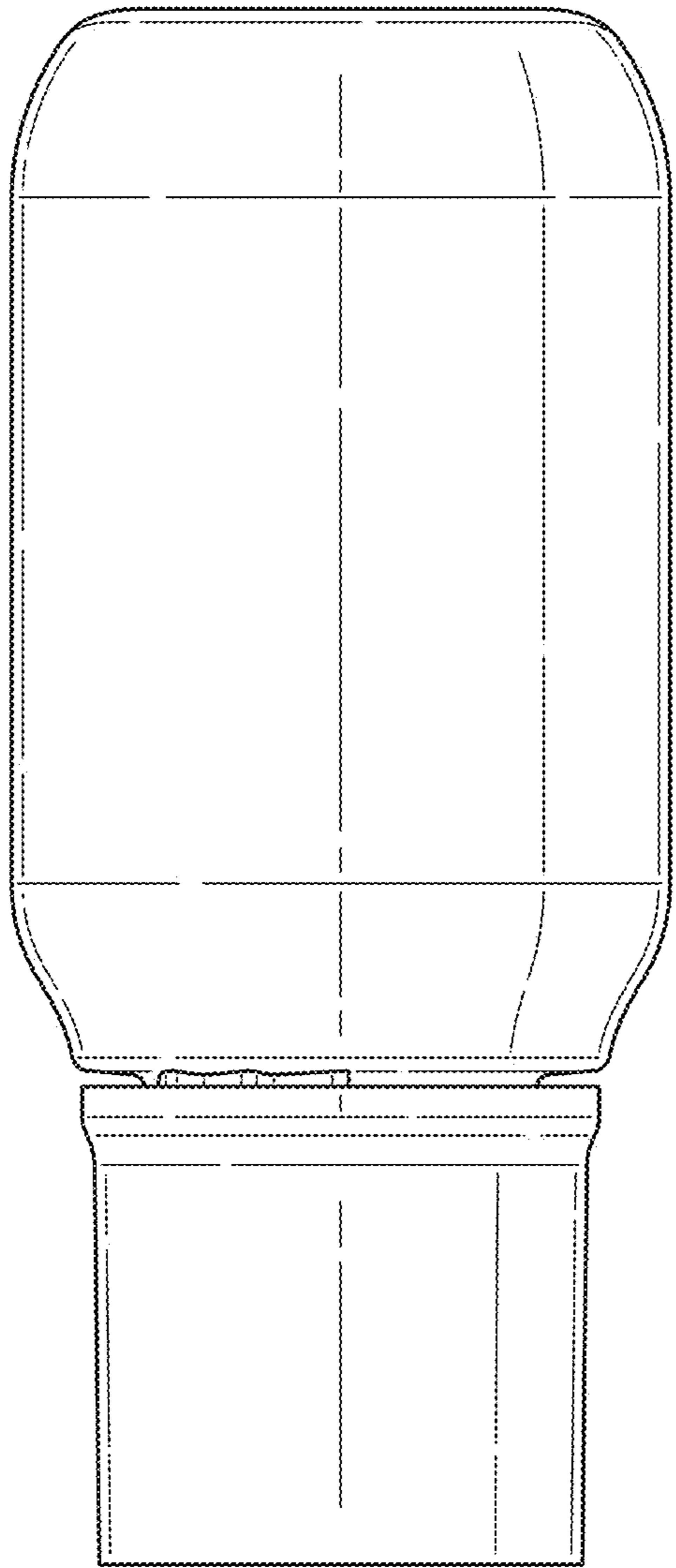


Fig. 2

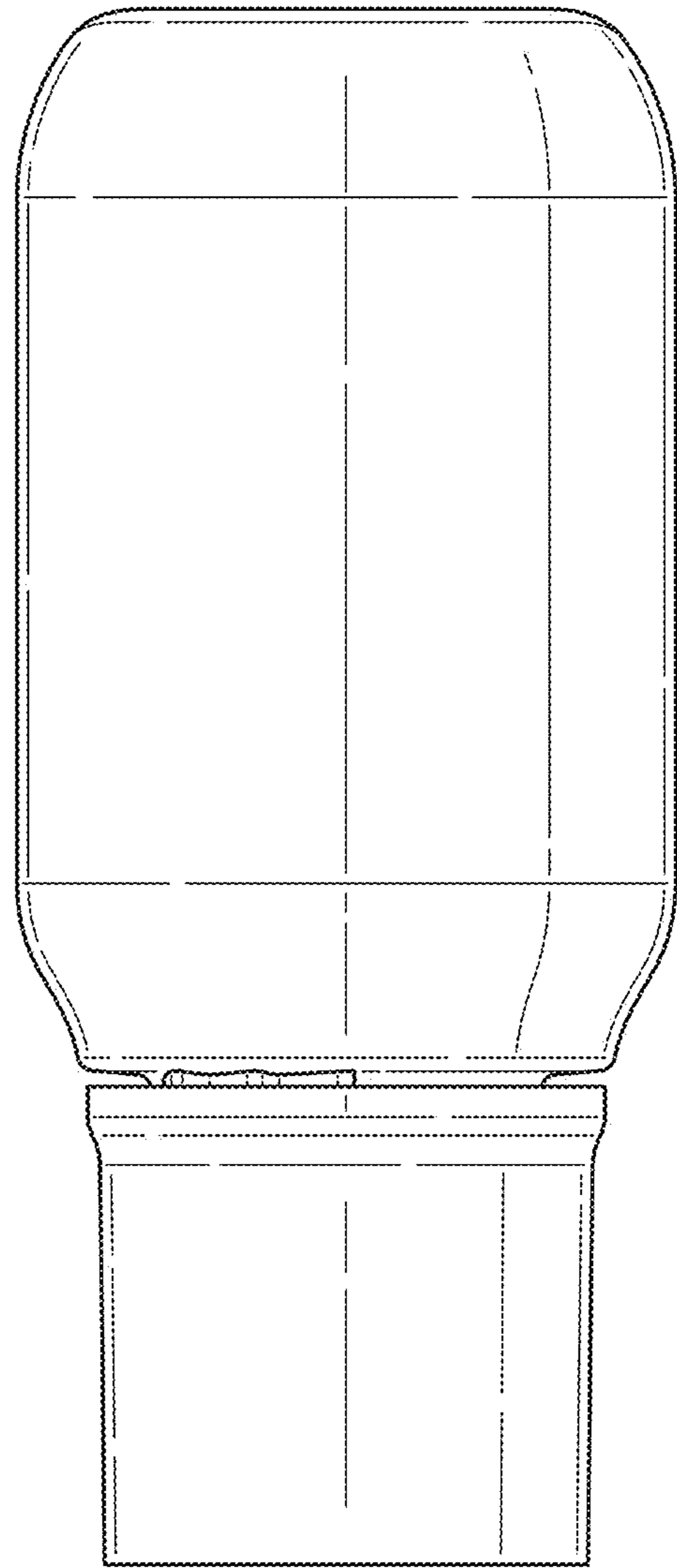


Fig. 3

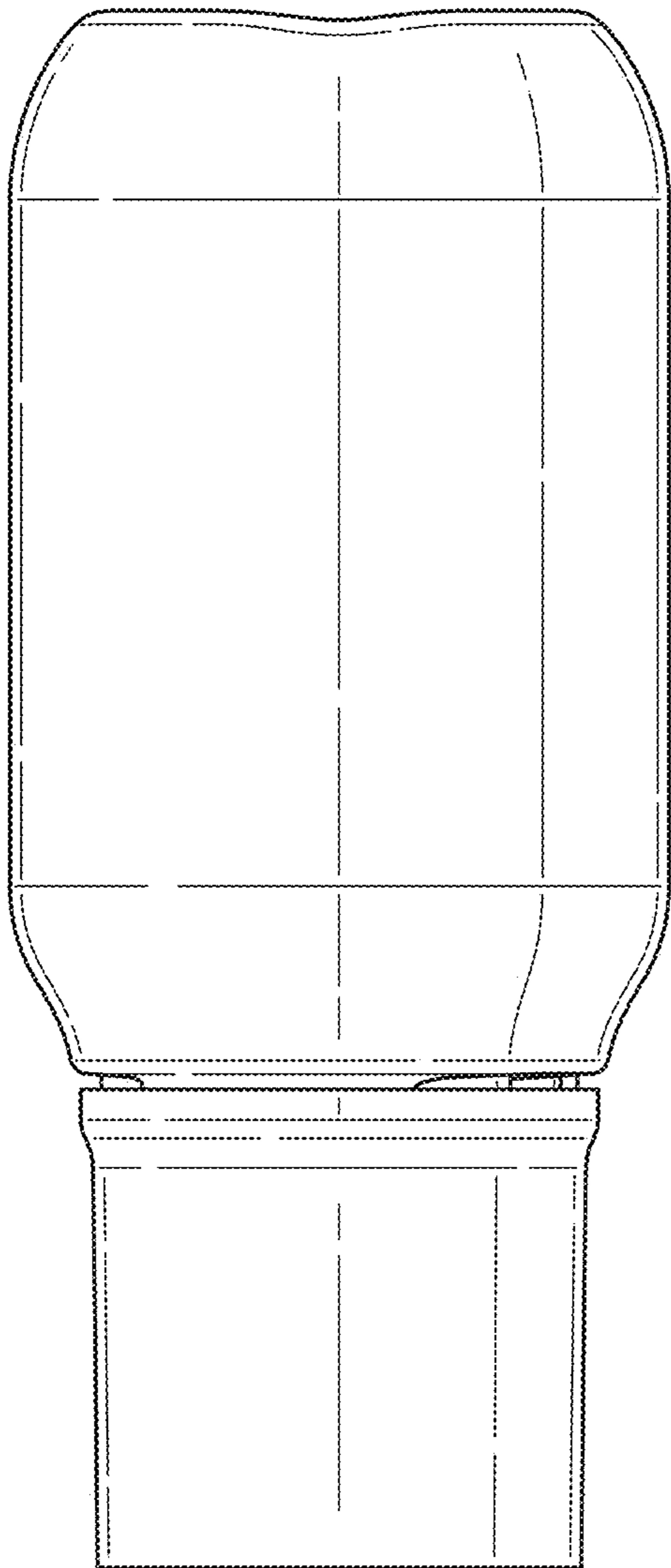


Fig. 4

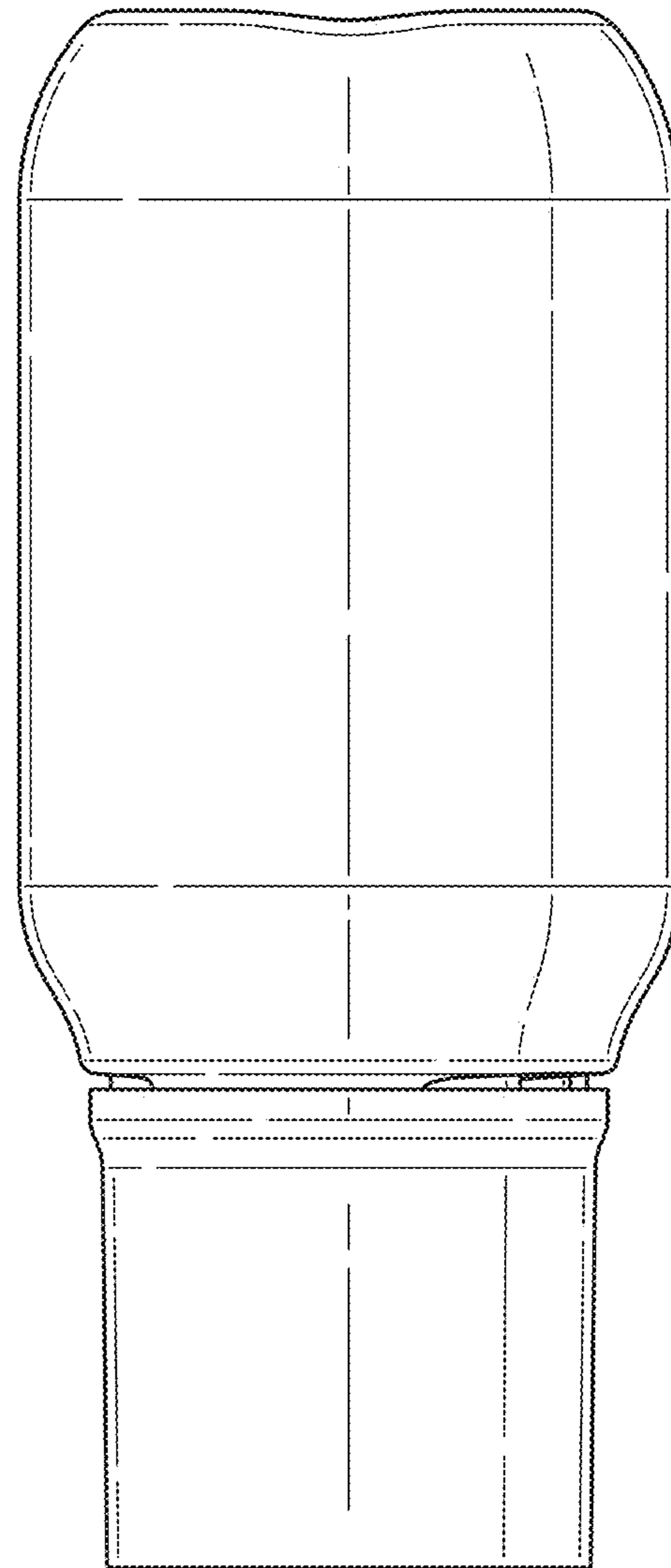


Fig. 5

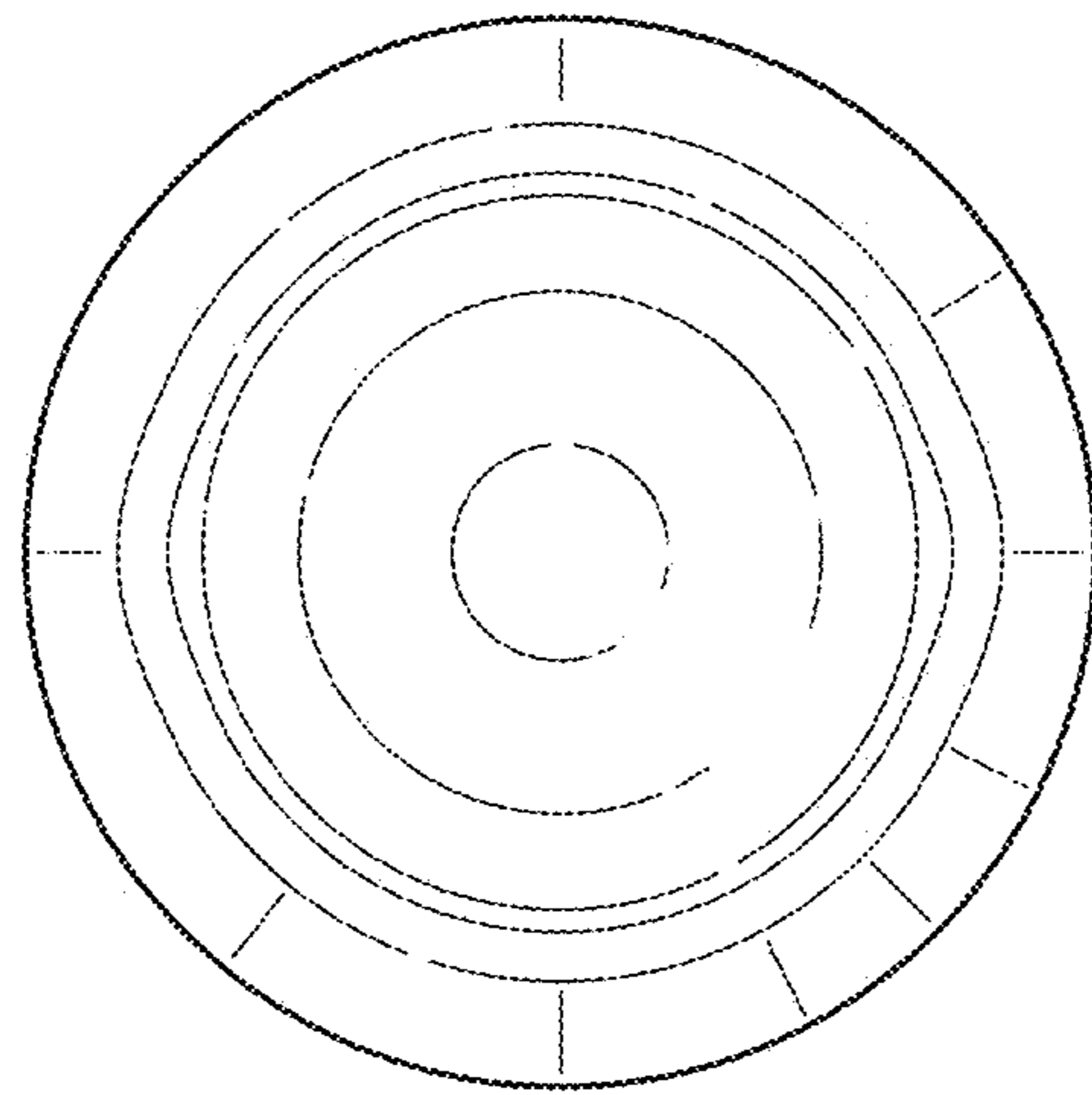


Fig. 6

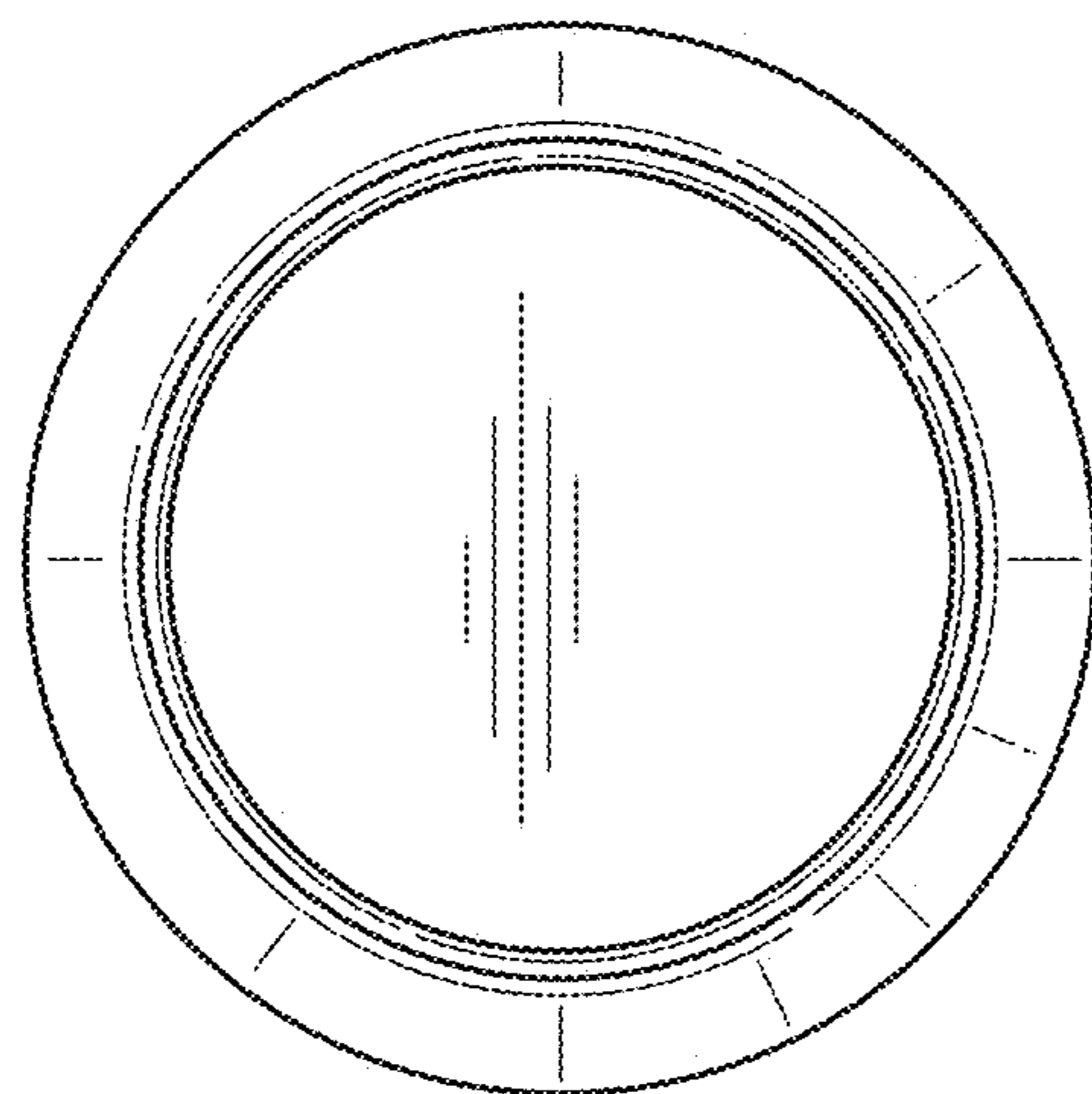


Fig. 7

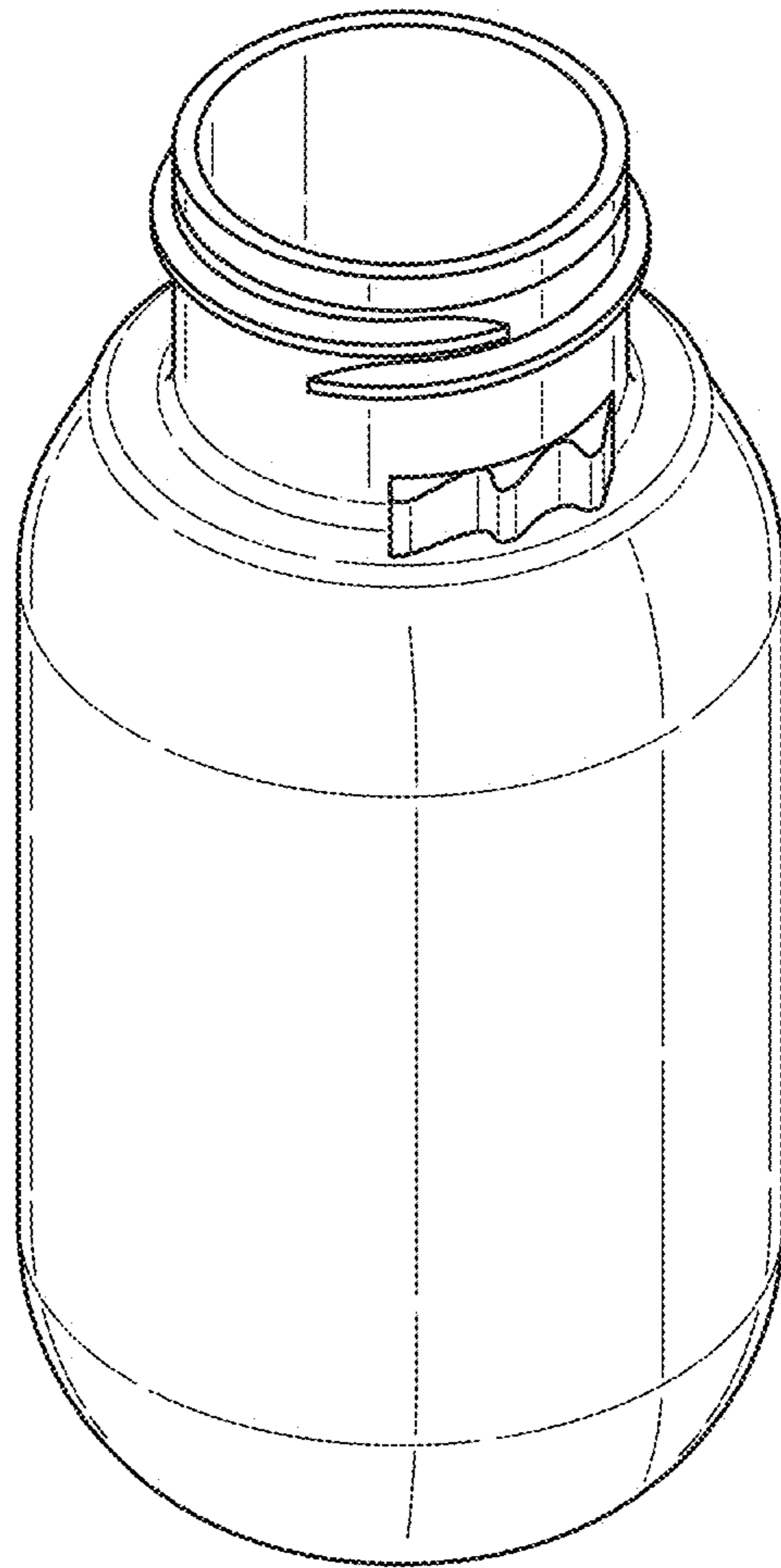


Fig. 8

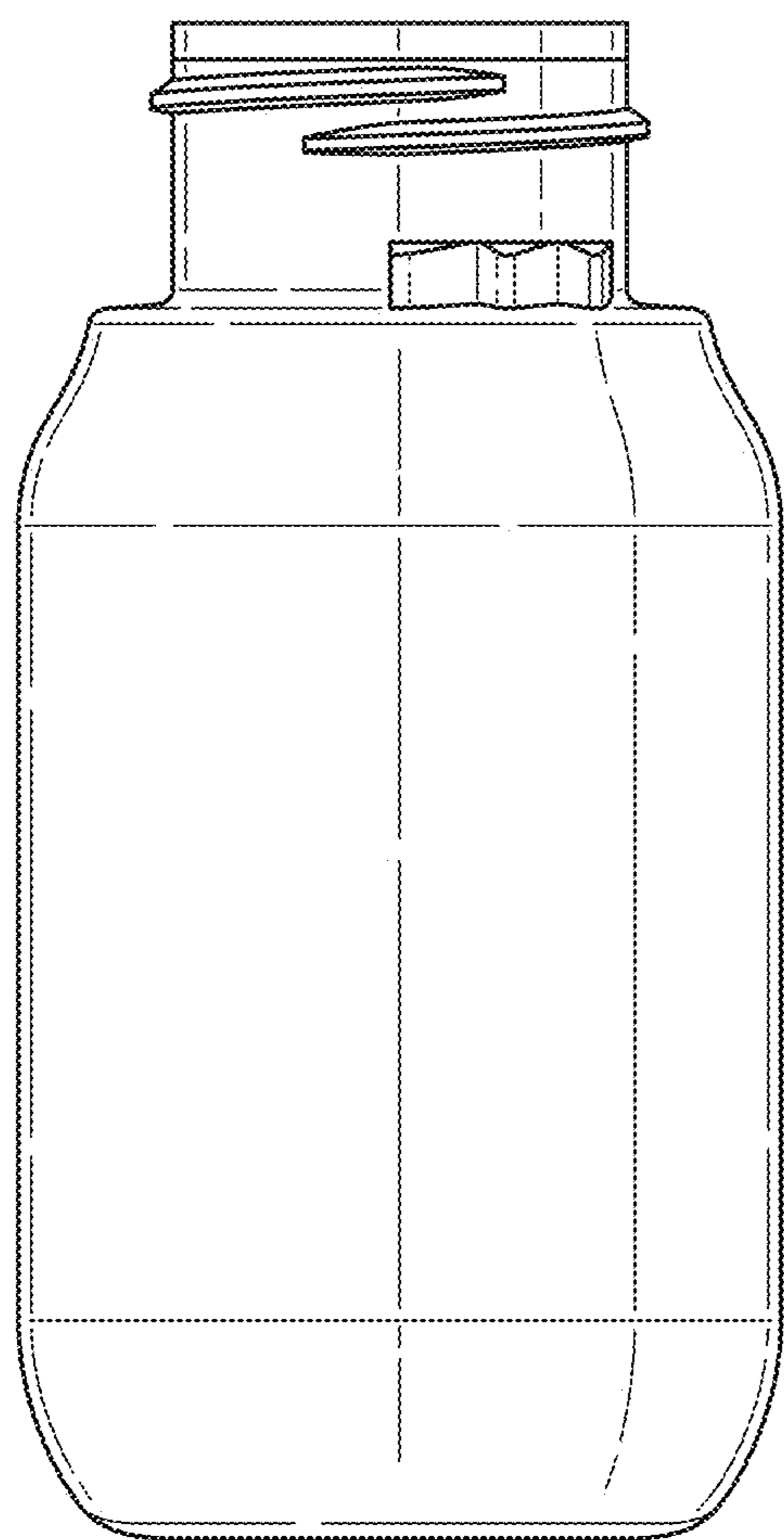


Fig. 9

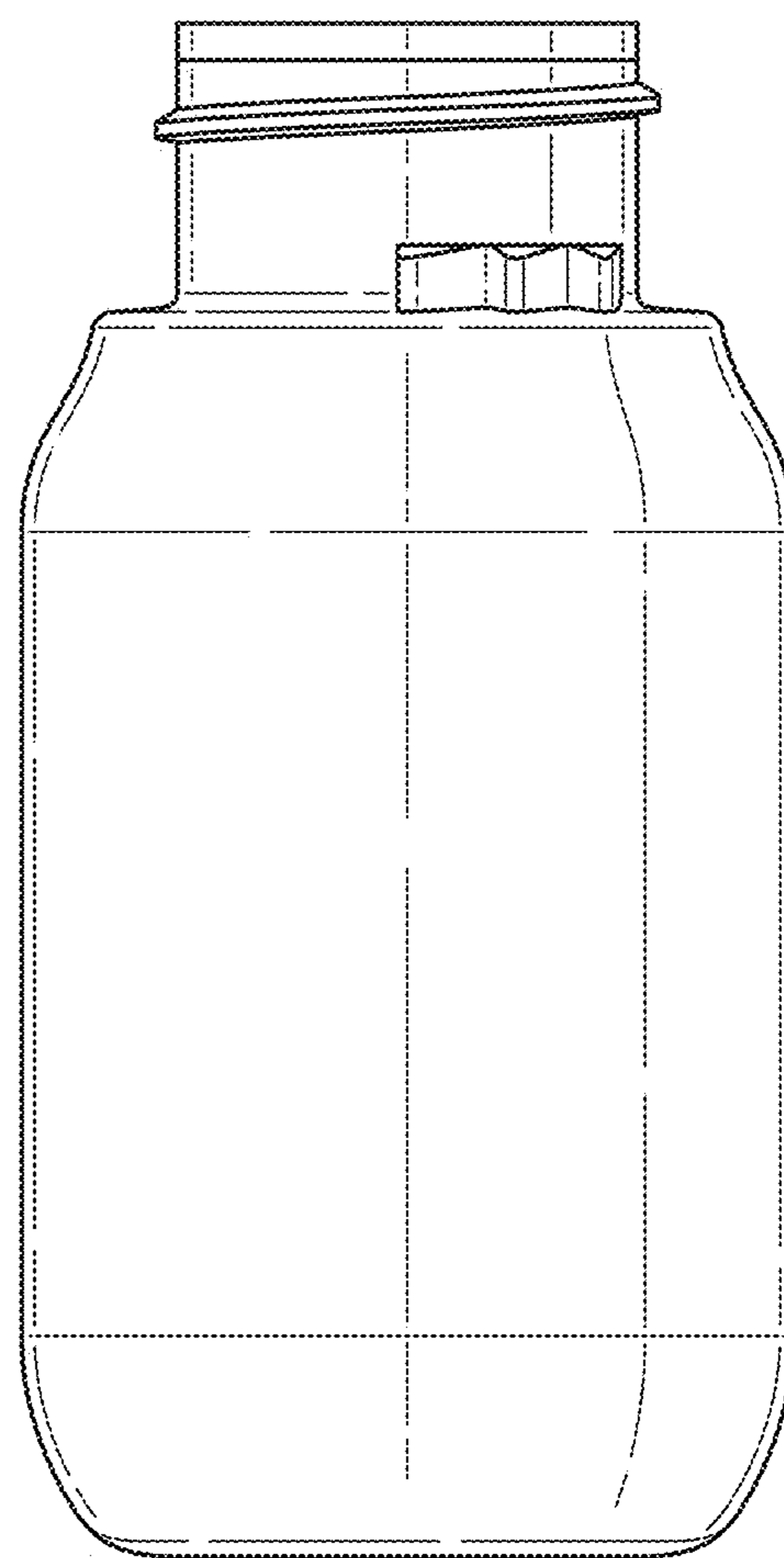


Fig. 10

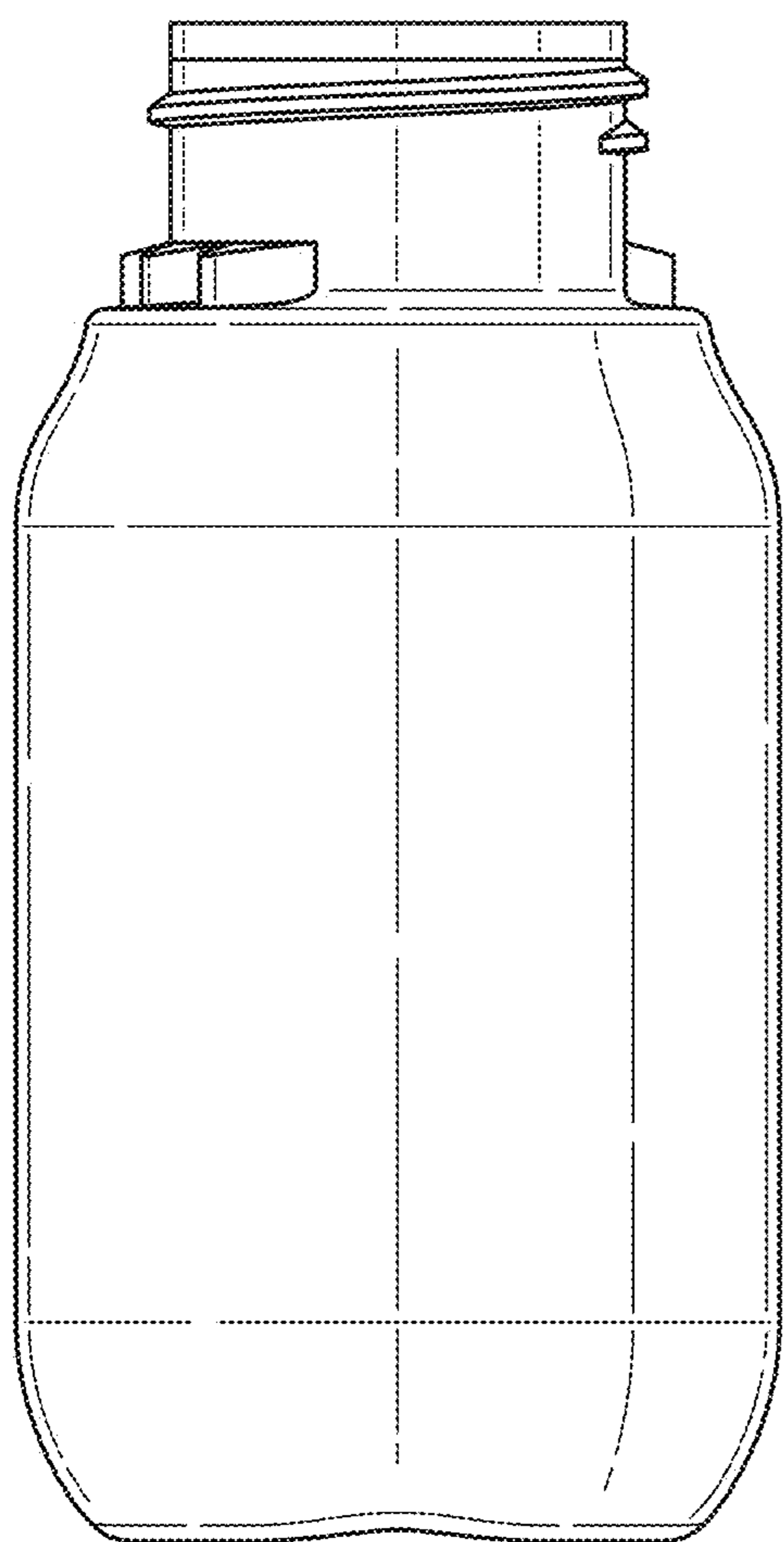


Fig. 11

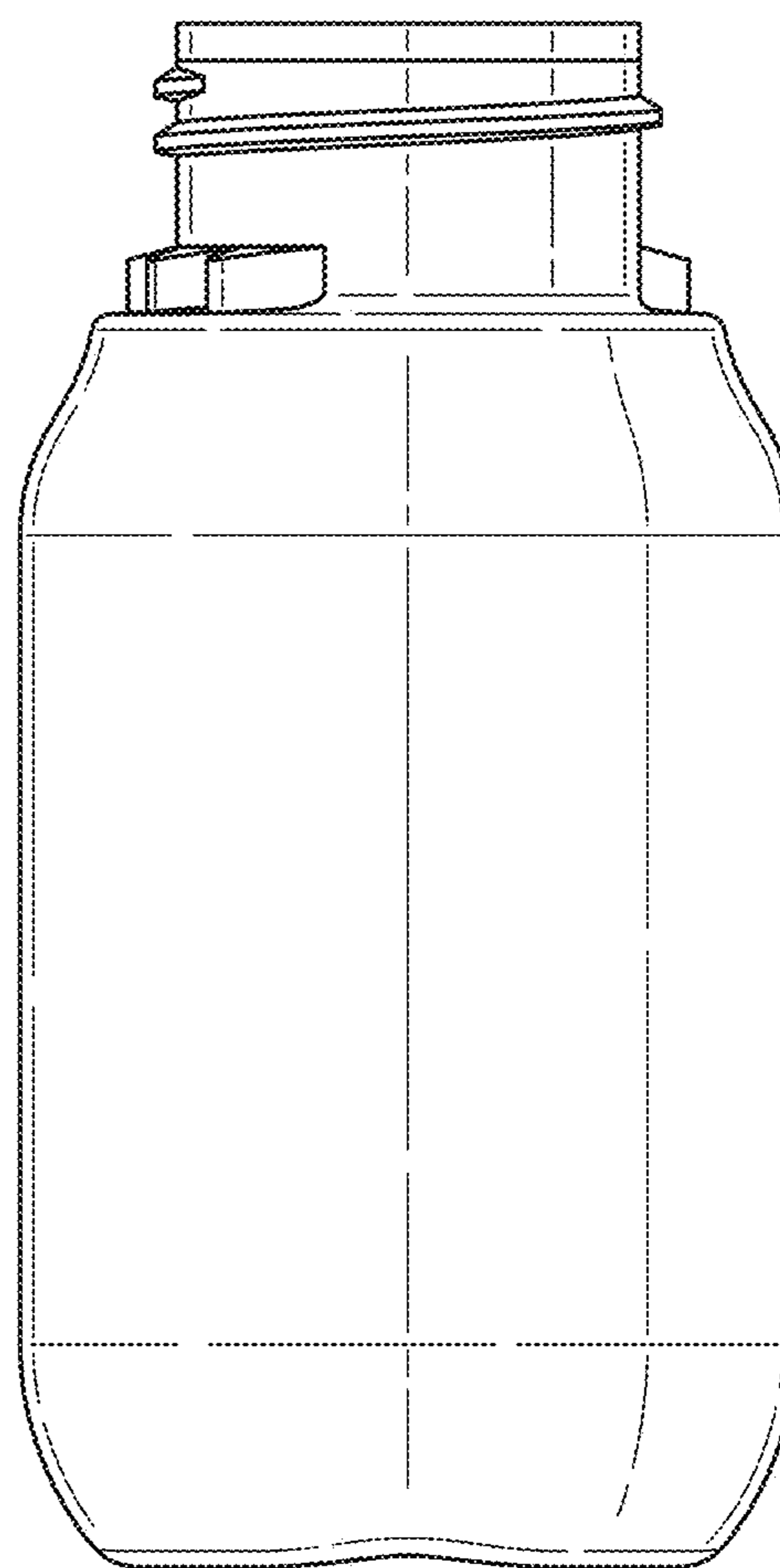


Fig. 12

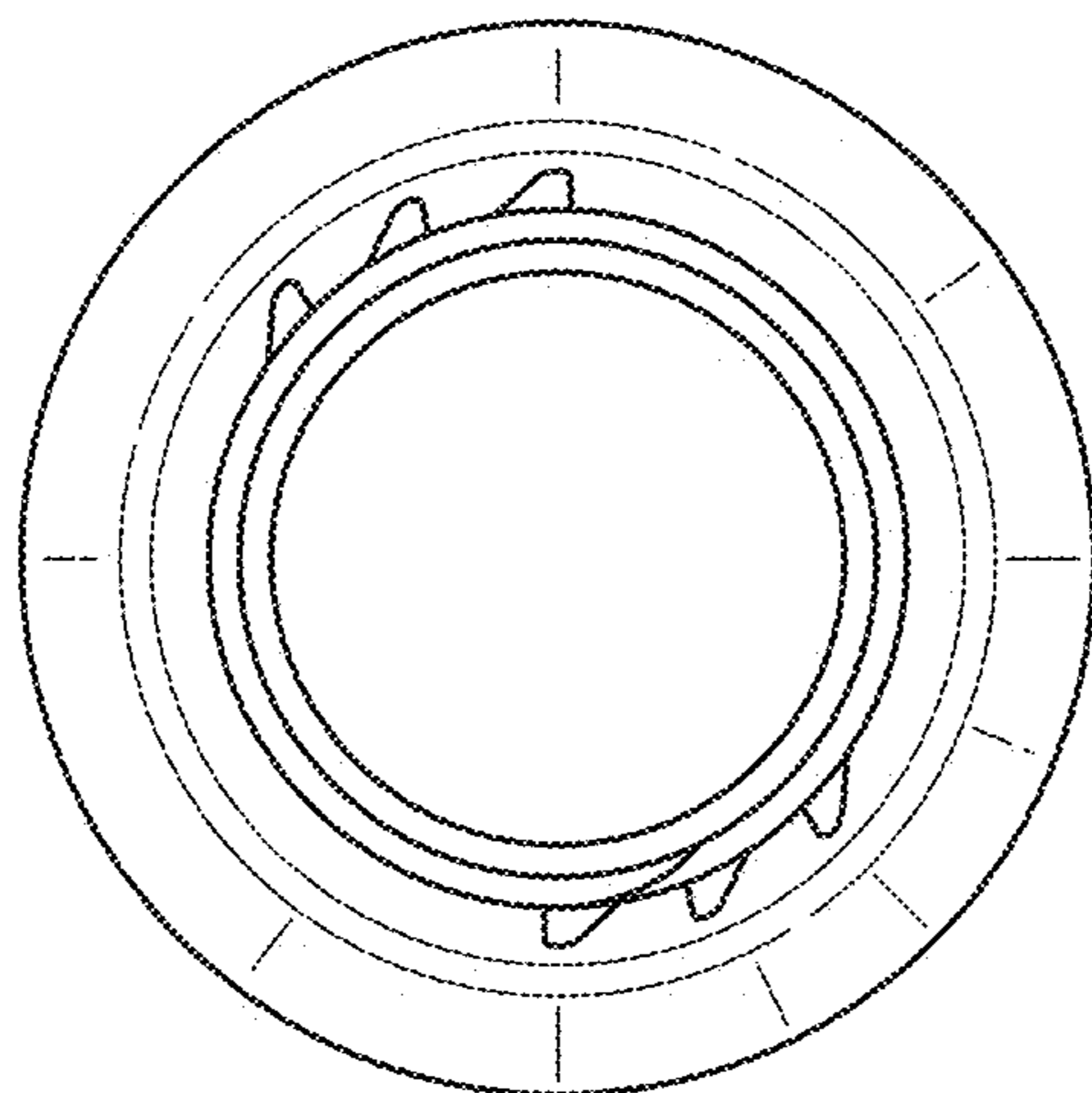


Fig. 13

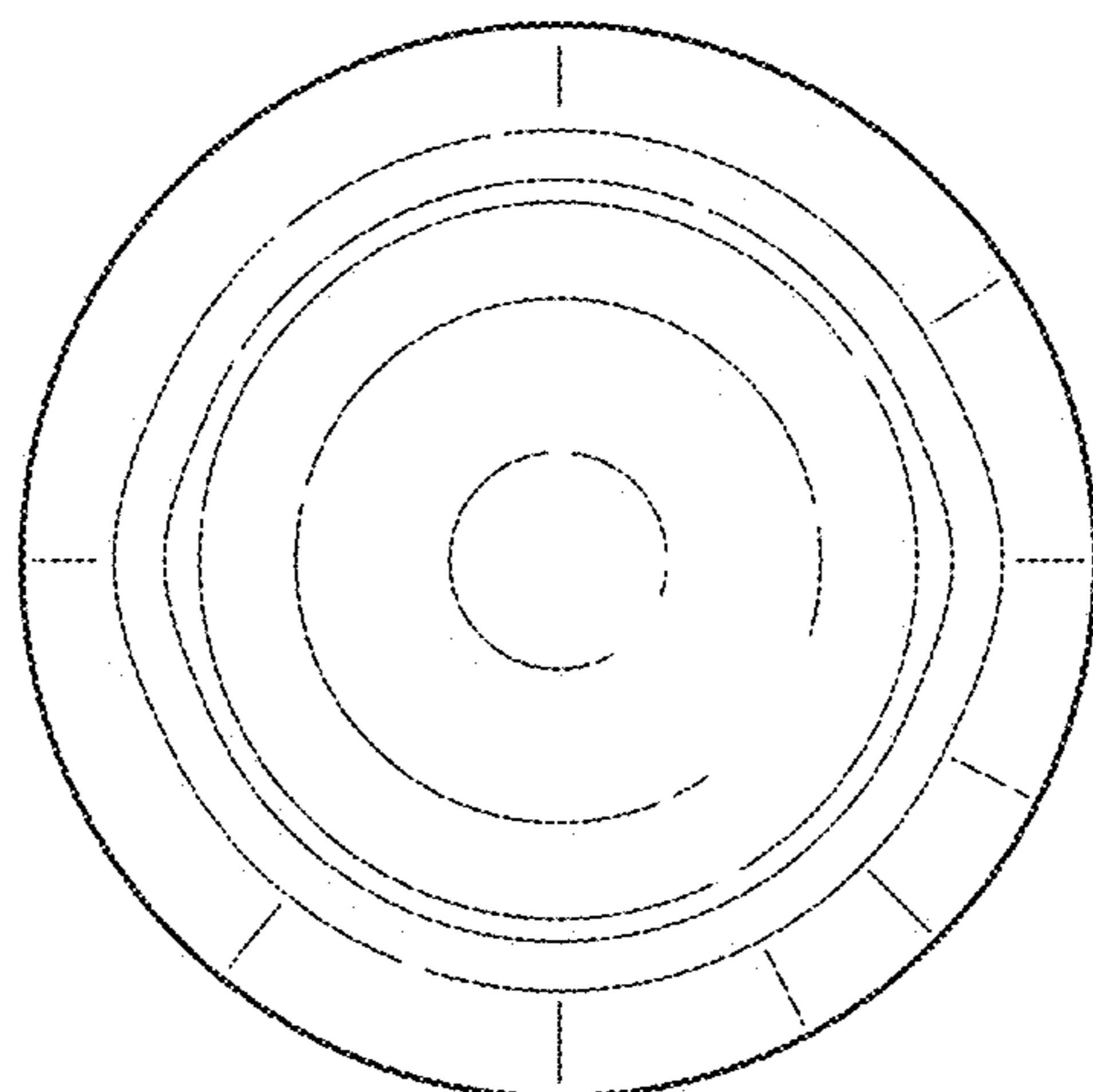


Fig. 14